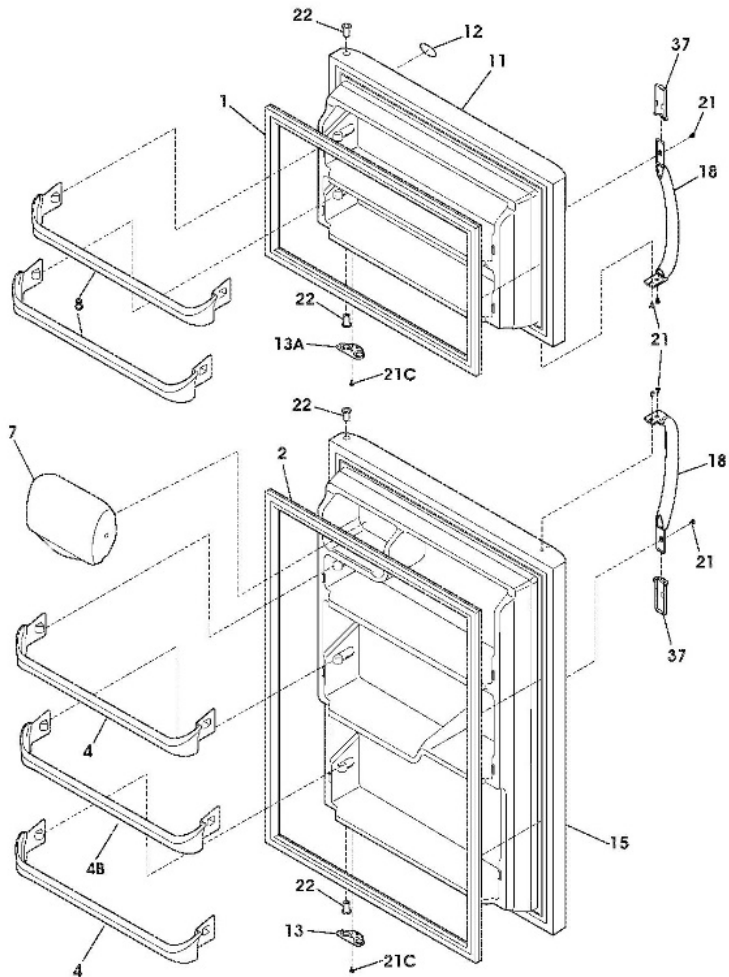


Publication No: 5995402269

WRT18MP6CS2

DOOR



N05DAACKA0



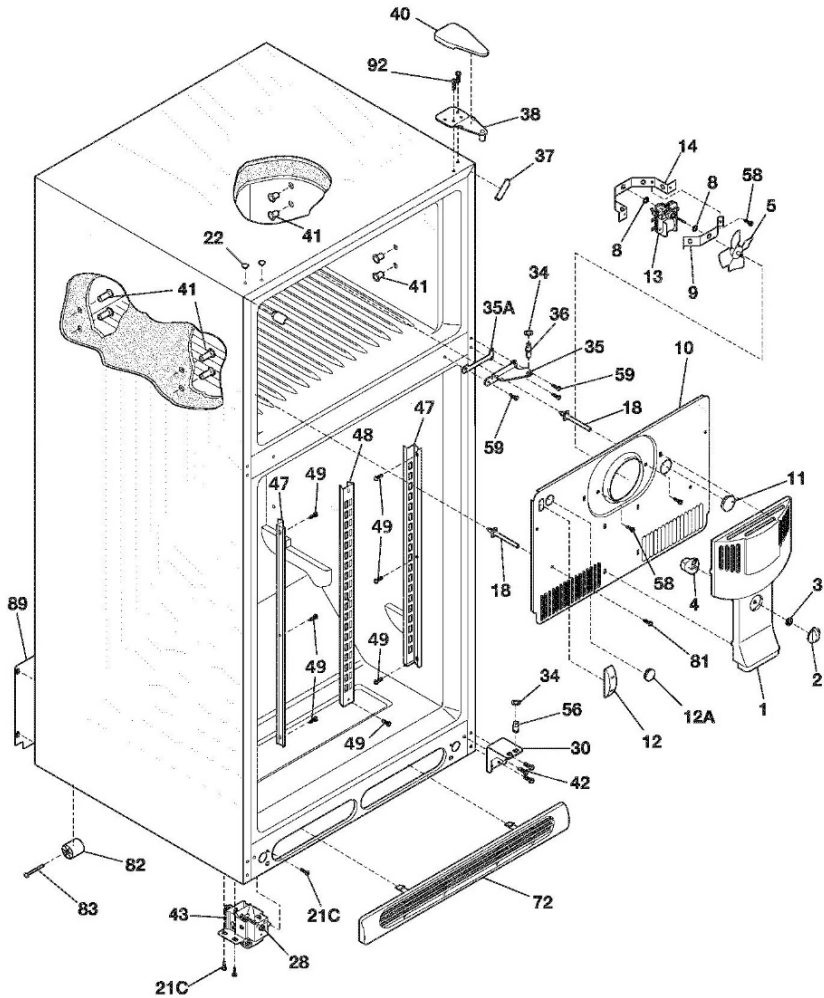
Refrigerador W.W. WRT18MP6CS2

Guía	N.P.	Descripción
NI	218490900	CLEANER, STAINLESS STEEL
NI	218676004	BAND-DECORATIVE,SATIN ALUMINUM
1	240542109	Gasket-frzr door,black ,magnetic
2	240542112	Gasket-refr door,black ,magnetic
4	240534901	Rack-door
4B	240534701	Rack-door,4B
7	240337703	Door-dairy,w/o graphics ,clear
8	240534801	Rack-door
11	240412503	Door-frzr,stainless ,complete assy
12	240415702	Nameplate
13	240312405	Door Stop,black ,refr
13A	240312406	Door Stop,black ,frzr
15	240412603	Door-refr,stainless ,complete assy
18	218668003	HANDLE-DOOR, BLACK
21	240383401	Screw,truss hd quad ,No.10-16 x .500
21C	218252200	Screw,No.8 truss hd ,10-32CA x 0.500
22	240527102	Bearing-hinge,black
37	215870636	Trim-handle,2.47`` ,black ,w/satin AL band

Publication No: 5995402269

WRT18MP6CS2

CABINET



N05BBAABD0



Refrigerador W.W. WRT18MP6CS2

Guía	N.P.	Descripción
NI	215474201	WASHER,``SLINGER`` ,NYLON ,EVAP FAN SHAFT
NI	218843800	Screw,hex wshr hd ,8-15A x 0.500
NI	218931001	Clamp-motor wiring,nylon ,w/adhesive tape
NI	240433201	Screw,hex washer head ,8-18 x 0.375
NI	240479601	Plug,button ,cab liner holes ,(2)
NI	240568601	SEAL-COIL COVER
NI	241500302	Screw,hex washer head ,8-18AB x 0.625
NI	241520701	HARNESS-WIRING
NI	5303305345	Paint,touch-up ,black
NI	5308009759	Grommet,shelf mtg ,1.25`` ,LH
1	240355401	COVER-FAN
2	240367001	KNOB-DAMPER CONTROL
3	5303001028	Nut,push-on
4	241523701	Damper-fan cover
5	5308000010	Fan Blade,red ,evaporator fan
9	5303292396	Bracket-motor mtg,front
10	240462010	Cover-evap coil
11	5303208309	PLUG-HOLE, FACTORY TEST
12	240366801	PLUG-ICE MAKER HARNESS,RECTANGULAR
12A	240374401	Plug-wtr inlet tube,round ,1``
13	240369701	MOTOR-EVAP FAN
14	5303292397	Bracket-motor mtg,rear
18	240411901	Support-evap cover,(2)
21C	218252200	Screw,No.8 truss hd ,10-32CA x 0.500
22	215774918	PLUG-BUTTON, BLACK, UPR HINGE HOLES
28	240335501	Bolt-roller adj,hex washer head
30	240314003	Bracket-lower hinge,black
34	240311303	Washer,hinge ,nylon ,(2)



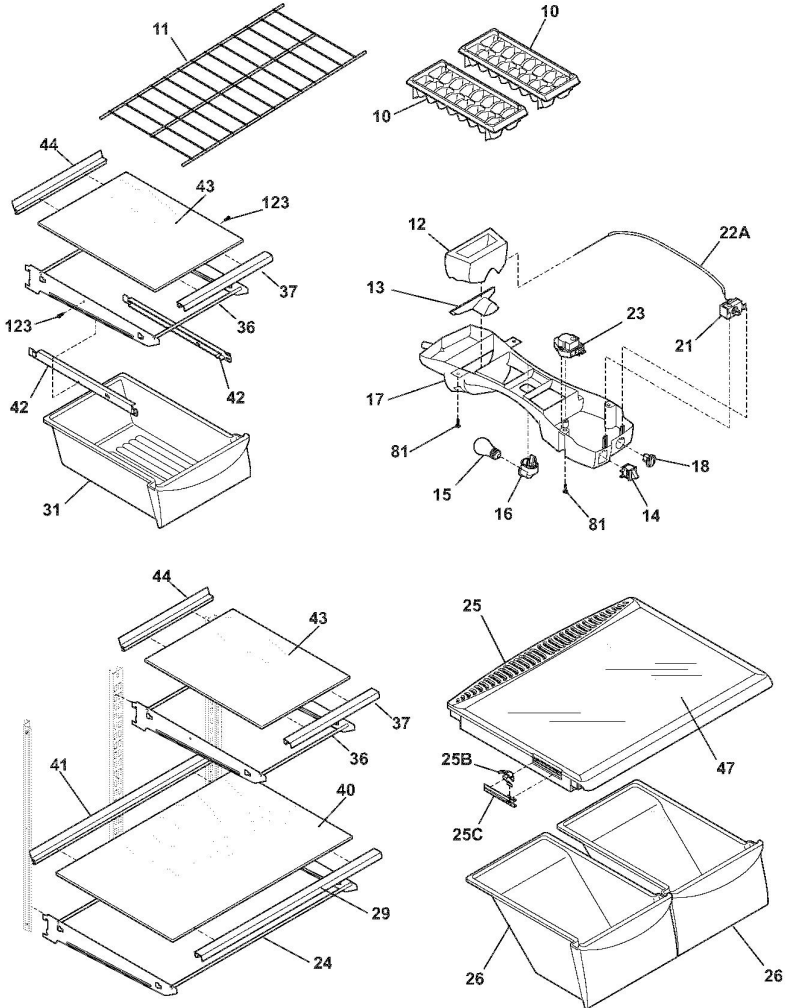
Refrigerador W.W. WRT18MP6CS2

Guía	N.P.	Descripción
35	240313803	Bracket-ctr hinge,black
35A	240336802	Spacer-hinge,center
36	240516401	Pin-center hinge
37	240337603	Trim-cabinet corner,black ,(2)
38	240313701	BRACKET-UPPER HINGE
40	240354404	Cover-upper hinge,black
41	5303001609	GROMMET,SHELF MTG ,0.69`` ,RH
42	240578901	Screw-hinge mtg,hex head ,1/4-20 x 5/8
43	240335003	Roller Assy, Front - If fixed rollers w
47	218233300	CHANNEL-SHELF MTG,SIDE ,(2)
48	5303292395	Channel-shelf mtg,center
49	218362500	SCREW,HEX WASHER HEAD ,8-18AB X 1.250
56	240516501	Pin-lower hinge
58	218897002	Screw,hex washer head ,8-32 x 0.375
59	240442703	Screw-No.10-32 X 3/4,black
72	240368207	GRILLE/KICKPLATE,BLACK
81	5308016566	SCREW
82	5304418225	Roller,compressor base ,rear ,(2)
83	5303316859	Rivet,flat head ,1/4 OD x 1-3/4 ,roller pin
89	240326115	Cover-access,with label
92	5303001479	SCREW

Publication No: 5995402269

WRT18MP6CS2

SHELVES



N05SAAAE13



Refrigerador W.W. WRT18MP6CS2

Guía	N.P.	Descripción
NI	240388701	Wiring Harness,control box
NI	5303001259	SCREW
10	215667501	Tray,ice cube ,plastic
11	240358002	SHELF-FREEZER,FULL WIDTH
12	240545001	Diffuser,air ,top
13	240362601	Diffuser-air,bottom
14	241554901	Switch-light/lamp
15	240436702	Light Bulb/Lamp,A-15 ,clear ,40 W ,120 V,miniature
16	241500701	Socket-light/lamp
17	240352701	CONTROL BOX
18	240360801	KNOB-TEMP CONTROL
21	5304421256	Control-temperature
22A	240468201	Tube,sensor sleeve ,31 inch ,plastic ,white
23	240371001	Timer-defrost
24	240373102	Frame-full shelf,cantilever
25	240364746	Cover-crisper pan
25B	240361203	Knob,humidity cont.
25C	240361301	Damper,humidity cont.
26	240337103	Pan-crisper,clear ,(2) ,no graphics
29	240357701	Trim-shelf,24.48`` ,front
31	240530803	Pan-meat,w/o graphics ,clear
36	240373103	Frame-half shelf,cantilever
37	240357702	Trim-shelf,11.95`` ,front
40	240443910	Glass-shelf,full shelf
41	240357801	Trim-shelf,24.48`` ,rear
42	240530601	Track,meat pan hanger ,LH
42	240530701	Track,meat pan hanger ,RH
43	240443913	Glass-shelf,half shelf



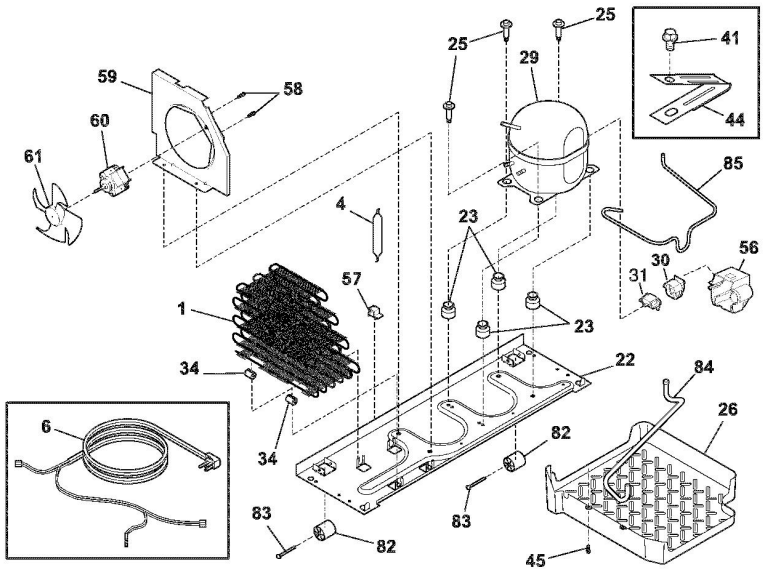
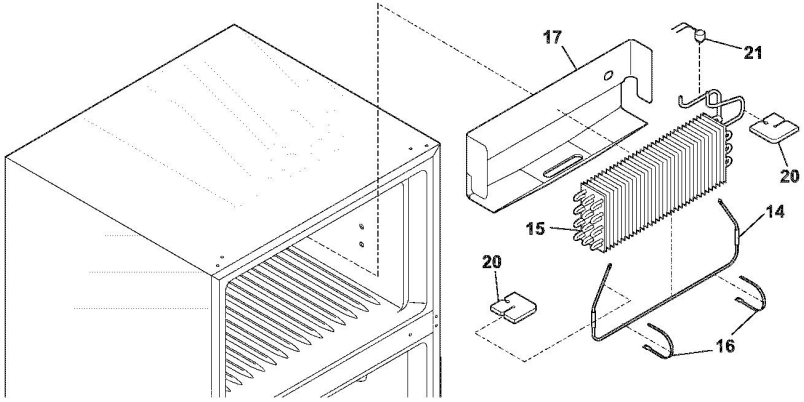
Refrigerador W.W. WRT18MP6CS2

Guía	N.P.	Descripción
44	240357802	Trim-shelf,11.95`` ,rear
47	240350672	INSERT-PAN COVER,GLASS
81	5308016566	SCREW
123	215005100	Screw,hanger/rlr mtg ,8-10 x 0.438

Publication No: 5995402269

WRT18MP6CS2

SYSTEM



N05CABBAB1



Refrigerador W.W. WRT18MP6CS2

Guía	N.P.	Descripción
NI	218252200	Screw,No.8 truss hd ,10-32CA x 0.500
NI	240346701	TAPE-FOAM SEAL,SHROUD
NI	240359401	Screw-fan shroud,(2)
NI	240388701	Wiring Harness,control box
NI	240396801	Clamp,tube/wiring ,nylon ,black/natural
NI	240581801	Harness-wiring,compressor
NI	241520701	HARNESS-WIRING
NI	5303918222	Hot Tube Repair Kit,Service
NI	5303918263	Heat Exchanger Kit,suction line
1	240444401	Condenser,dynamic
4	218944001	Drier-filter,R134a System
6	240581701	HARNESS-WIRING,MACHINE COMPT
14	5303918208	DEFROST HEATER KIT
15	5303918274	Evaporator Kit
16	5308000110	STRAP-EVAP/HEATER,ALUMINUM ,(2)
17	240434004	Trough-drain
20	240518402	Insulation,evap block ,foam ,LH/RH
21	5303918202	Thermostat-defrost,kit
22	240330001	PLATE-COMPR MTG
23	218513300	GROMMET-COMPR MTG,(4)
25	240491501	Screw-compressor mtg,1/4-28 x 1.16 ,shoulder,typ
26	240332605	Pan-defrost drain
29	5303918297	COMPRESSOR,W/ELECTRICALS
30	5304433579	RELAY
31	5304433578	Overload Protector
34	240405201	Grommet,rubber ,black ,cond tube/wire
41	240433202	Screw,hex washer head ,8-18 x 5/16



Refrigerador W.W. WRT18MP6CS2

Guía	N.P.	Descripción
44	5303001199	CLAMP
45	5308016566	SCREW
56	240582001	Cover-terminal
57	240542601	CLIP-WIRING HARNESS
58	218897002	Screw,hex washer head ,8-32 x 0.375
59	5304430246	Bracket-cond motor assy
60	240525401	Motor-condenser fan
61	240524101	Fan Blade,galv steel ,condenser fan
82	5304418225	Roller,compressor base ,rear ,(2)
83	5303316859	Rivet,flat head ,1/4 OD x 1-3/4 ,roller pin
84	240500801	Tube-drain,rubber ,lower
85	240493101	Tube-connector,suction