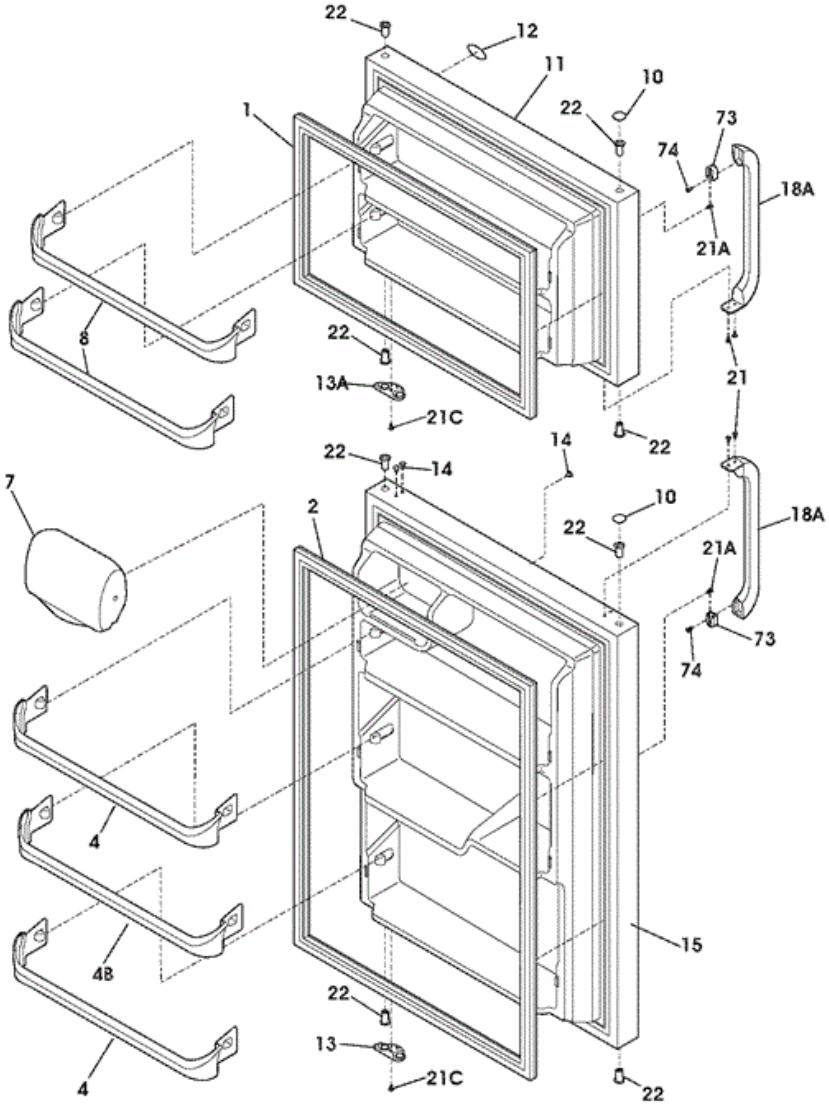


WRT21MG3AQP DOOR





WRT21MG3AQP DOOR

| | | |
|-----|-----------|---|
| 4 | 240534901 | RACK-DOOR |
| 7 | 240337701 | DOOR-DAIRY,W/O GRAPHICS ,WHITE |
| 8 | 240534801 | RACK-DOOR |
| 10 | 240381302 | PLUG-BUTTON,BISQUE ,HINGE BRG HOLE ,(2) |
| 11 | 240450305 | DOOR,FRZR ,BISQUE |
| 12 | 240415701 | NAMEPLATE |
| 13 | 240312407 | DOOR STOP,BISQUE ,REF |
| 13A | 240312408 | DOOR STOP,BISQUE ,FRZR |
| 14 | 240494002 | PLUG-BUTTON,BISQUE |
| 15 | 240450405 | DOOR,REFR ,BISQUE |
| 18A | 218428119 | HANDLE-DOOR,BISQUE ,W/BLOCK & SCREW |
| 21 | 240383401 | SCREW,TRUSS HD QUAD ,NO.10-16 X .500 |
| 21A | 240521301 | SCREW,NO.10-16 X 1/2 |
| 21C | 218252200 | SCREW,NO.8 TRUSS HD ,10-32CA X 0.500 |
| 22 | 240527101 | BEARING-HINGE,NATURAL COLOR |
| 4B | 240534701 | RACK-DOOR,4B |
| 73 | 218396700 | BLOCK-HANDLE MTG, DOVETAIL |
| 74 | 215503200 | SCREW,CR PAN HD `10-16 X 0.500 |
| F1 | 240514607 | GASKET,SEAL ,WHITE ,FRZR DOOR ,MAGNETIC |
| F2 | 240514608 | GASKET,SEAL ,WHITE ,REFR DOOR ,MAGNETIC |

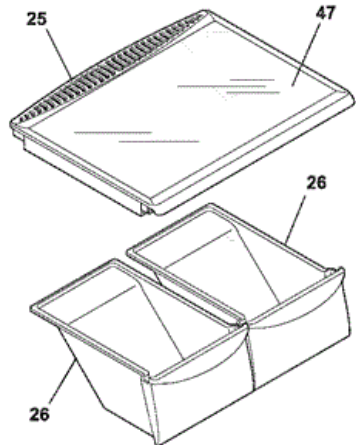
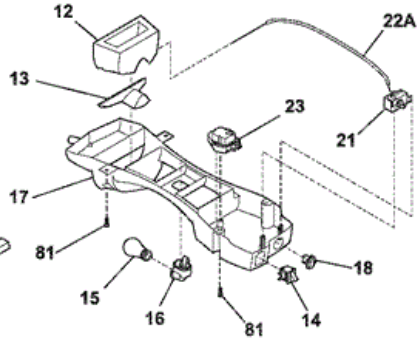
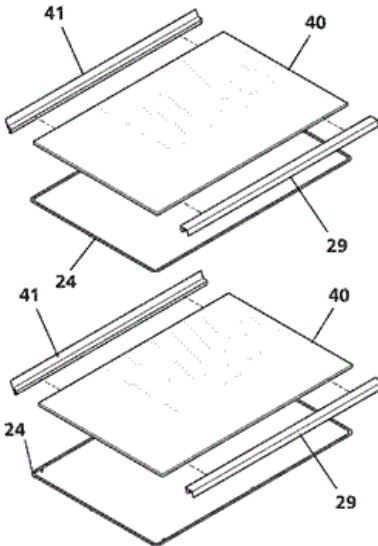
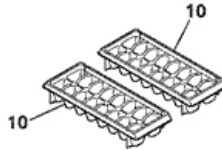
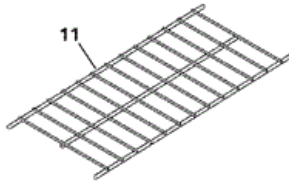


WRT21MG3AQP CABINET

| | | |
|-----|------------|--|
| 1 | 240355402 | COVER-FAN |
| 2 | 240367001 | KNOB-DAMPER CONTROL |
| 3 | 5303001028 | NUT,PUSH-ON |
| 4 | 241523701 | DAMPER-FAN COVER |
| 5 | 5308000010 | FAN BLADE,RED ,EVAPORATOR FAN |
| 8 | 5300157666 | BUSHING - MOTOR MTG, (2) |
| 9 | 5303292396 | BRACKET-MOTOR MTG,FRONT |
| 10 | 240313610 | COVER-EVAP COIL,W/O LIGHT |
| 11 | 5303208309 | PLUG-HOLE, FACTORY TEST |
| 12 | 241557601 | PLUG-ICE MAKER HARNESS,RECTANGULAR |
| 12A | 240374401 | PLUG-WTR INLET TUBE,ROUND ,1` |
| 12A | 241586701 | PLUG-FOAM-WTR-INLET,ROUND |
| 13 | 240369702 | MOTOR-EVAP FAN |
| 14 | 5303292397 | BRACKET-MOTOR MTG,REAR |
| 21C | 218252200 | SCREW,NO.8 TRUSS HD ,10-32CA X 0.500 |
| 22 | 215774919 | PLUG-BUTTON,BISQUE ,UPR HINGE HOLES |
| 28 | 240335501 | BOLT-ROLLER ADJ,HEX WASHER HEAD , |
| 30 | 240314001 | BRACKET-LOWER HINGE,ZINC |
| 34 | 240311303 | WASHER,HINGE ,NYLON ,(2) |
| 35 | 240313801 | BRACKET-CTR HINGE,ZINC |
| 35A | 240336802 | SPACER-HINGE,CENTER |
| 36 | 240516401 | PIN-CENTER HINGE |
| 37 | 240337604 | TRIM-CABINET CORNER,BISQUE ,(2) |
| 38 | 241622604 | HINGE-UP-PLASTIC-BIS,PLASTIC ,BISQUE |
| 41 | 5308009759 | GROMMET,SHELF MTG ,1.25` ,LH ,(4) |
| 42 | 240578901 | SCREW-HINGE MTG,HEX HEAD ,1/4-20 X 5/8 |
| 43 | 240335003 | ROLLER ASSY,ADJUSTABLE ,FRONT ,(2) |
| 56 | 240516501 | PIN-LOWER HINGE |
| 58 | 5303001343 | SCREW,HEX WASHER HEAD ,8-15A X 0.500 |
| 59 | 240442701 | SCREW-NO.10-32 X 3/4,ZINC |
| 72 | 240368206 | GRILLE/KICKPLATE,BISQUE |
| 81 | 5308016566 | SCREW,HEX WASHER HEAD ,8-15A X 0.625 |
| 82 | 5304418225 | ROLLER,COMPRESSOR BASE ,REAR ,(2) |

| | | |
|----|------------|---|
| 83 | 5303316859 | RIVET,FLAT HEAD ,1/4 OD X 1-3/4 ,ROLLER PIN |
| 89 | 241574607 | COVER-ACCESS,W/LABEL |
| 92 | 216850900 | SCREW,HEX WASHER HD ,1/4 X 7/8 ,HINGE MTG |
| NI | 218843800 | SCREW,HEX WSHR HD ,8-15A X 0.500 |
| NI | 218931001 | CLAMP-MOTOR WIRING,NYLON ,W/ADHESIVE TAPE |
| NI | 240433201 | SCREW,HEX WASHER HEAD ,8-18 X 0.375 |
| NI | 240479601 | PLUG,BUTTON ,CAB LINER HOLES ,(2) |
| NI | 240524701 | WIRING HARNESS,FREEZER SECTION |
| NI | 240568606 | SEAL-COIL COVER |
| NI | 241500301 | SCREW,HEX WASHER HEAD ,8-18AB X 0.500 |
| NI | 5304414035 | PAINT,TOUCH-UP ,BISQUE |

WRT21MG3AQP SHELVES





WRT21MG3AQP SHELVES

| | | |
|-----|------------|---|
| 10 | 215667501 | TRAY,ICE CUBE ,PLASTIC |
| 11 | 240358006 | SHELF,FREEZER ,FULL-WIDTH ,WIRE |
| 12 | 240545901 | DIFFUSER-AIR,TOP |
| 13 | 240362601 | DIFFUSER-AIR,BOTTOM |
| 14 | 241554901 | SWITCH-LIGHT/LAMP |
| 15 | 240436702 | LIGHT BULB/LAMP,A-15 ,CLEAR ,40 W ,120 V |
| 16 | 241559801 | SOCKET-LIGHT |
| 17 | 240368101 | CONTROL BOX |
| 18 | 240360801 | KNOB-TEMP CONTROL |
| 22A | 240468201 | TUBE,SENSOR SLEEVE ,31 INCH ,PLASTIC ,WHITE |
| 24 | 240372407 | FRAME-SHELF,SLIDING ,FULL WIDTH |
| 25 | 240364716 | COVER-CRISPER PAN |
| 26 | 240343801 | PAN-CRISPER,(2) |
| 29 | 240357704 | TRIM-SHELF,FRONT |
| 40 | 240350621 | GLASS-SHELF,23.78 X 18.02 ,FULL SHELF |
| 41 | 240561502 | TRIM-SHELF,REAR |
| 47 | 240350609 | INSERT-PAN COVER,GLASS |
| 81 | 5308016566 | SCREW,HEX WASHER HEAD ,8-15A X 0.625 |
| F21 | 5304445058 | CONTROL-TEMPERATURE |
| F23 | 215846606 | TIMER,DEFROST ,60 HZ ,0.25 W ,120 V ,10 HOUR/30 |
| NI | 240388701 | WIRING HARNESS,CONTROL BOX |
| NI | 5303001259 | SCREW-TIMER MTG,PAN HD ,6-20 X 0.438 ,(2) |
| NI | 5303299664 | SPACER-SHELF |



WRT21MG3AQP SYSTEM

| | | |
|-----|------------|---|
| 6 | 240581701 | HARNESS-WIRING,MACHINE COMPT |
| 16 | 5308000110 | STRAP-EVAP/HEATER,ALUMINUM ,(2) |
| 17 | 241551801 | TROUGH-DRAIN |
| 20 | 241551902 | INSULATION BLOCK |
| 22 | 241602001 | BASE-COMPRESSOR |
| 23 | 218513300 | GROMMET-COMPR MTG,(4) |
| 25 | 240491501 | SCREW-COMPRESSOR MTG,1/4-28 X 1.16 |
| 26 | 241637401 | PAN-DEFROST |
| 34 | 240405201 | GROMMET,RUBBER ,BLACK ,COND TUBE/WIRE |
| 41 | 240555001 | SCREW-NO.8-32 X 3/8 |
| 44 | 215174700 | CLAMP-SERVICE CORD, STRAIN RELIEF, GALV STEEL |
| 45 | 241500301 | SCREW,HEX WASHER HEAD ,8-18AB X 0.500 |
| 56 | 240582001 | COVER-TERMINAL |
| 57 | 240542601 | CLIP-WIRING HARNESS |
| 58 | 218897002 | SCREW,HEX WASHER HEAD ,8-32 X 0.375 |
| 59 | 5304430246 | BRACKET-COND MOTOR ASSY |
| 82 | 5304418225 | ROLLER,COMPRESSOR BASE ,REAR ,(2) |
| 83 | 5303316859 | RIVET,FLAT HEAD ,1/4 OD X 1-3/4 ,ROLLER PIN |
| 85 | 240493101 | TUBE-CONNECTOR,SUCTION |
| F1 | 240444401 | CONDENSER,DYNAMIC |
| F14 | 240356217 | HEATER-DEFROST |
| F15 | 5303918274 | EVAPORATOR KIT |
| F21 | 5303918202 | THERMOSTAT-DEFROST,KIT |
| F29 | 5303918297 | COMPRESSOR,W/ELECTRICALS |
| F30 | 5304433579 | RELAY |
| F31 | 5304433578 | OVERLOAD PROTECTOR |
| F4 | 218944001 | DRIER-FILTER,R134A SYSTEM |
| F60 | 240525402 | MOTOR,CONDENSOR FAN |
| F61 | 240524101 | FAN BLADE,GALV STEEL ,CONDENSER FAN |
| NI | 218252200 | SCREW,NO.8 TRUSS HD ,10-32CA X 0.500 |
| NI | 240346701 | TAPE-FOAM SEAL,SHROUD |
| NI | 240359401 | SCREW-FAN SHROUD,(2) |
| NI | 240388701 | WIRING HARNESS,CONTROL BOX |

| | | |
|----|------------|---|
| NI | 240396801 | CLAMP,TUBE/WIRING ,NYLON ,BLACK/NATURAL |
| NI | 240524701 | WIRING HARNESS,FREEZER SECTION |
| NI | 240581801 | HARNESS-WIRING,COMPRESSOR |
| NI | 5303918210 | HEAT EXCHANGER KIT,SUCTION LINE |
| NI | 5304421289 | HOT TUBE REPAIR KIT,SERVICE |