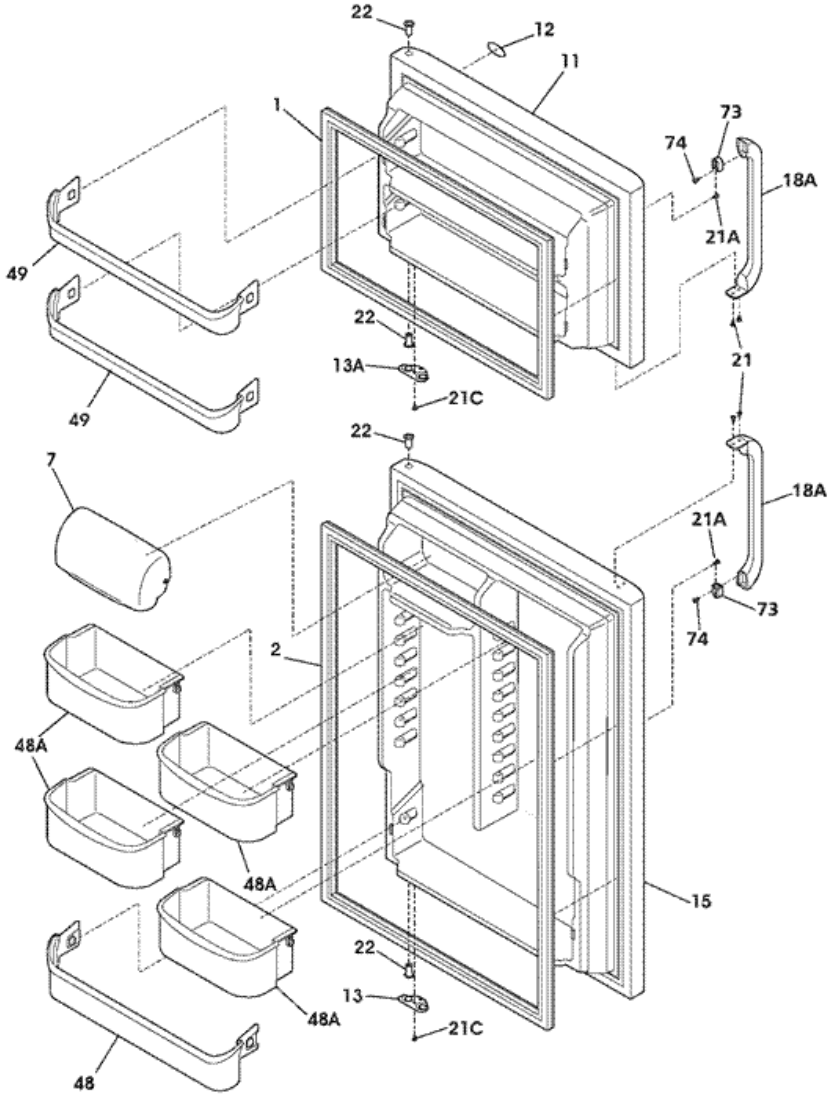


WRT21MR7AS9 DOOR





WRT21MR7AS9 DOOR

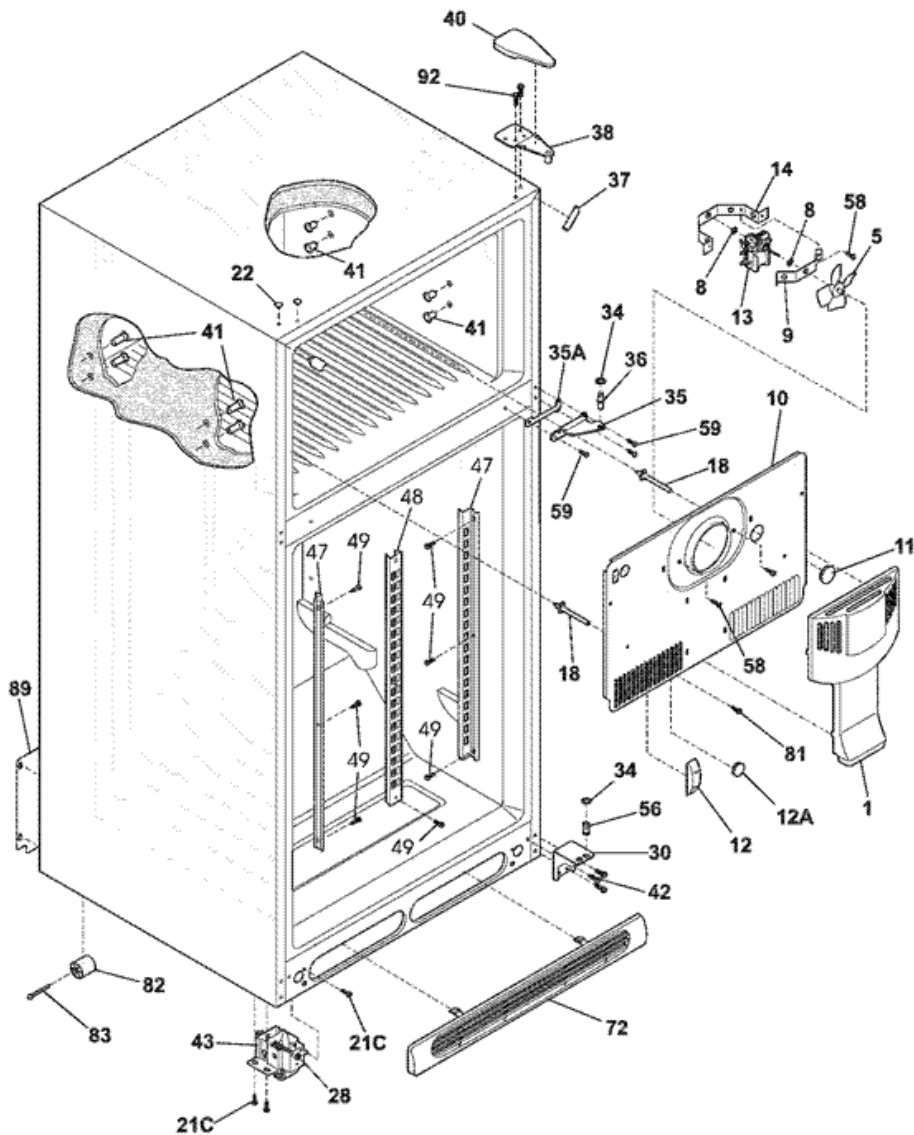
7	240338310	DOOR-DAIRY,WATER BLUE (S/P)
11	240450368	DOOR,FRZR ,STAINLESS STEEL (S/P)
12	240415702	NAMEPLATE (S/P)
13	240312405	DOOR STOP,BLACK ,REFR (S/P)
15	240450480	DOOR,REFR ,STAINLESS STEEL (S/P)
21	240383401	SCREW,TRUSS HD QUAD ,NO.10-16 X .500 (S/P)
22	240527102	BEARING-HINGE,BLACK (S/P)
48	240338101	BIN-DOOR,PSEUDO ,BOTTOM (S/P)
49	240495804	BIN-DOOR,PSEUDO ,FRZR (S/P)
73	218396700	BLOCK-HANDLE MTG,DOVETAIL (S/P)
74	215503200	SCREW,CR PAN HD ,10-16 X 0.500 (S/P)
13A	240312406	DOOR STOP,BLACK ,FRZR (S/P)
F1	241872511	GASKET,SEAL ,BLACK ,FRZR DOOR ,MAGNETIC (S/P)
21A	240521301	SCREW,NO.10-16 X 1/2 (S/P)
21C	218252200	SCREW,NO.8 TRUSS HD ,10-32CA X 0.500 (S/P)
18A	218428121	HANDLE-DOOR,GRAY ,W/BLOCK & SCREW
48A	240338207	BIN-DOOR,GALLON ,WATER BLUE (S/P)
NI	218490901	CLEANER,STAINLESS STEEL (S/P)
F2	241872512	GASKET,SEAL ,BLACK ,REFR DOOR (S/P)

Distribuidor Autorizado

SurteRápido.com

Venta de Refacciones
Electrodomesticas

WRT21MR7AS9 CABINET



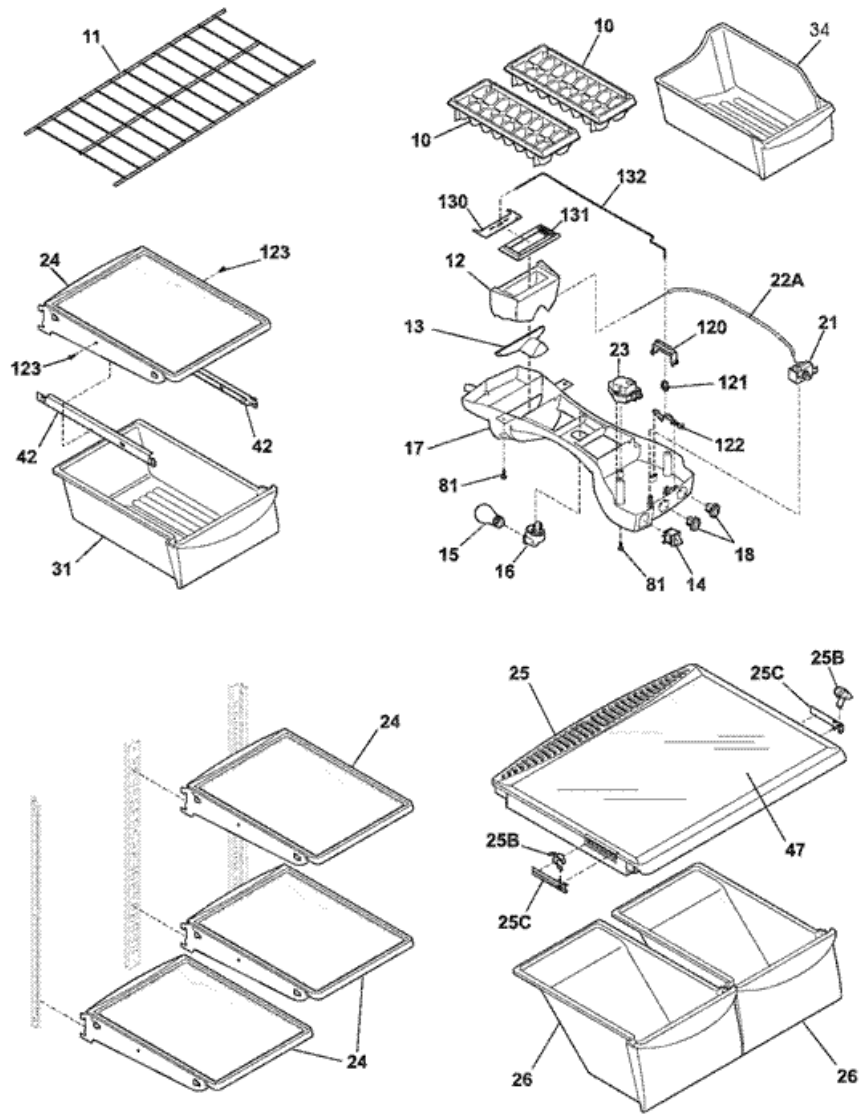


WRT21MR7AS9 CABINET

1	240355404	COVER-FAN (S/P)
8	5300157666	BUSHING-MOTOR MTG,(2) (S/P)
9	5303292396	BRACKET-MOTOR MTG,FRONT (S/P)
10	240313610	COVER-EVAP COIL,W/O LIGHT (S/P)
11	5303208309	PLUG-HOLE,FACTORY TEST (S/P)
12	240366801	PLUG-ICE MAKER HARNESS,RECTANGULAR (S/P)
13	5304445861	MOTOR-EVAP FAN
14	5303292397	BRACKET-MOTOR MTG,REAR (S/P)
18	240411901	SUPPORT-EVAP COVER,(2) (S/P)
22	215774918	PLUG-BUTTON,BLACK ,UPR HINGE HOLES (S/P)
28	240335501	BOLT-ROLLER ADJ,HEX WASHER HEAD (S/P)
30	240314003	BRACKET-LOWER HINGE,BLACK (S/P)
34	240311303	WASHER,HINGE ,NYLON ,(2) (S/P)
35	240313803	BRACKET-CTR HINGE,BLACK (S/P)
36	241708002	PIN-CENTER HINGE (S/P)
37	240337603	TRIM-CABINET CORNER,BLACK ,(2) (S/P)
38	240313703	BRACKET-UPPER HINGE (S/P)
40	240354404	COVER-UPPER HINGE,BLACK (S/P)
41	5303001609	GROMMET,SHELF MTG ,0.69`` ,RH (S/P)
42	240578901	SCREW-HINGE MTG,HEX HEAD ,1/4-20 X 5/8 (S/P)
43	240335006	ROLLER ASSY,FRONT ,(2) (S/P)
47	218233300	CHANNEL-SHELF MTG,SIDE ,(2) (S/P)
48	5303292395	CHANNEL-SHELF MTG,CENTER (S/P)
49	218362500	SCREW,HEX WASHER HEAD (S/P)
56	240516502	PIN-LOWER HINGE (S/P)
58	5303001343	SCREW,HEX WASHER HEAD ,8-15A X 0.500 (S/P)
59	240442703	SCREW-NO.10-32 X 3/4,BLACK (S/P)
72	241839407	GRILLE/KICKPLATE,BLACK (S/P)
81	5308016566	SCREW,HEX WASHER HEAD
82	5304418225	ROLLER,COMPRESSOR BASE ,REAR ,(2) (S/P)
83	5303316859	RIVET,FLAT HEAD ,1/4 OD X 1-3/4 ,ROLLER PIN (S/P)
89	241733907	COVER-ACCESS,W/LABEL (S/P)
92	216850900	SCREW,HEX WASHER HD ,1/4 X 7/8 (S/P)

FNI	240524701	WIRING HARNESS,FREEZER SECTION (S/P)
21C	218252200	SCREW,NO.8 TRUSS HD ,10-32CA X 0.500 (S/P)
NI	218931001	CLAMP-MOTOR WIRING,NYLON (S/P)
NI	240479601	PLUG,BUTTON ,CAB LINER HOLES ,(2) (S/P)
35A	240336802	SPACER-HINGE,CENTER (S/P)
F5	5308000010	FAN BLADE,RED ,EVAPORATOR FAN (S/P)
NI	5303274237	SCREW,HEX WASHER HEAD (S/P)
NI	240568606	SEAL-COIL COVER (S/P)
NI	241500301	SCREW,HEX WASHER HEAD ,8-18AB X 0.500 (S/P)
12A	241586701	PLUG-FOAM-WTR-INLET,ROUND (S/P)
F12A	241586701	PLUG-WTR INLET TUBE,ROUND (S/P)
NI	5308009759	GROMMET,SHELF MTG ,1.25`` ,LH ,(4) (S/P)
NI	5303321321	PAINT,TOUCH-UP ,BLACK (S/P)

WRT21MR7AS9 SHELVES





WRT21MR7AS9 SHELVES

10	215667501	TRAY,ICE CUBE ,PLASTIC (S/P)
11	240358006	SHELF,FREEZER ,FULL-WIDTH ,WIRE (S/P)
12	240417802	DIFFUSER-AIR, TOP (S/P)
13	240362601	DIFFUSER,AIR ,BOTTOM (S/P)
15	240436702	LIGHT BULB/LAMP,A-15 ,CLEAR (S/P)
16	241559801	SOCKET-LIGHT (S/P)
17	240407301	CONTROL BOX DESCONTINUADO
18	240360801	KNOB,TEMP CONTROL (S/P)
24	240355238	SHELF,FIXED ,SPILL SAFE (S/P)
25	240364751	COVER-CRISPER PAN (S/P)
26	240343803	PAN-CRISPER,WATER BLUE ,(2) (S/P)
31	240530908	PAN-MEAT,WATER BLUE (S/P)
34	240385201	CONTAINER,ICE BIN (S/P)
42	240365401	TRACK,MEAT PAN HANGER ,LH (S/P)
42	240356501	TRACK,MEAT PAN HANGER ,RH (S/P)
47	240443301	INSERT-PAN COVER,GLASS (S/P)
81	5308016566	SCREW,HEX WASHER HEAD
120	240366401	GUIDE-FOLLOWER,CAM FOLLOWER (S/P)
121	240366602	CAM FOLLOWER (S/P)
122	240366502	CAM,DAMPER (S/P)
123	215005100	SCREW,HANGER/RLR MTG ,8-10 X 0.438 (S/P)
130	240366101	DAMPER-CONTROL BOX (S/P)
131	240366201	RETAINER-DAMPER,DAMPER DESCONTINUADO
132	240366302	CONTROL ROD,DAMPER (S/P)
FNI	240388701	WIRING HARNESS,CONTROL BOX (S/P)
25C	240361301	DAMPER,HUMIDITY CONT. (S/P)
NI	240466001	SEAL,AIR DIFFUSER (S/P)
NI	5303001259	SCREW-TIMER MTG,PAN HD ,6-20 X 0.438 ,(2) (S/P)
NI	5303299664	SPACER,SHELF (S/P)
F21	5304421256	CONTROL,TEMPERATURE
25B	240361203	KNOB,HUMIDITY CONT. (S/P)
F23	215846602	TIMER,DEFROST ,60 HZ ,0.25 W ,120 V
22A	240468201	TUBE,SENSOR SLEEVE ,31 INCH ,PLASTIC (S/P)

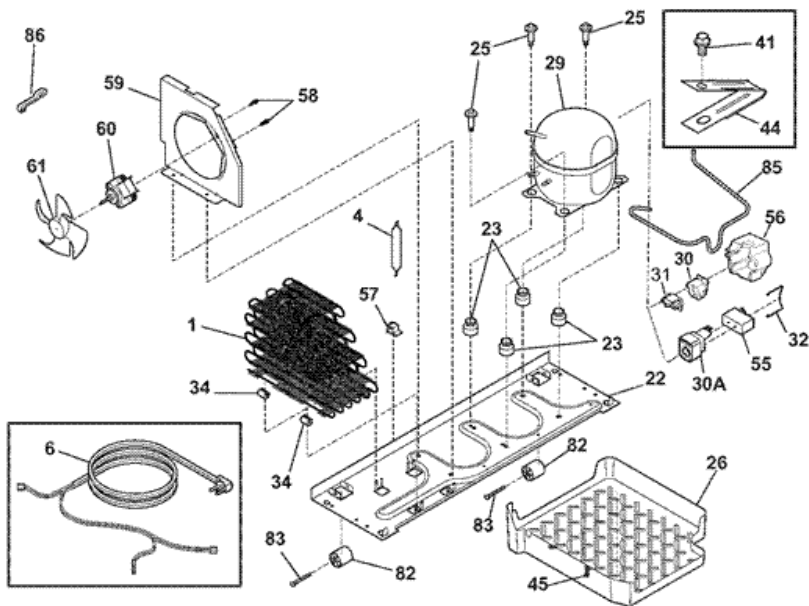
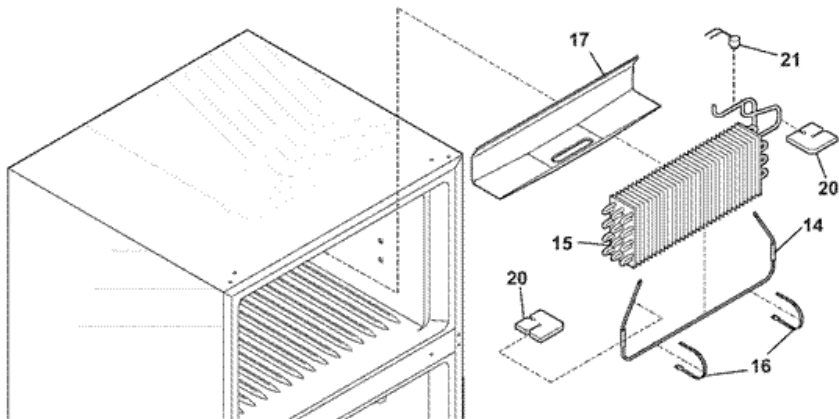
F14	241554901	SWITCH-LIGHT/LAMP (S/P)
F130	218249806	SEAL,INSULATION ,FOAM ,DAMPER (S/P)

Distribuidor Autorizado

SurteRápido.com

Venta de Refacciones
Electrodomesticas

WRT21MR7AS9 SYSTEM





WRT21MR7AS9 SYSTEM

6	240581701	HARNES-WIRING,MACHINE COMPT (S/P)
16	5308000110	STRAP-EVAP/HEATER,ALUMINUM ,(2) (S/P)
17	241801301	TROUGH-DRAIN (S/P)
20	240518402	INSULATION,EVAP BLOCK ,FOAM ,LH/RH (S/P)
22	240330001	PLATE-COMPR MTG (S/P)
23	218513300	GROMMET-COMPR MTG,(4) (S/P)
25	240491501	SCREW-COMPRESSOR MTG (S/P)
26	241637401	PAN-DEFROST DRAIN (S/P)
34	240405201	GROMMET,RUBBER ,BLACK ,COND TUBE/WIRE (S/P)
41	240555001	SCREW-NO.8-32 X 3/8 (S/P)
44	5303001199	CLAMP-SERVICE CORD,STRAIN RELIEF (S/P)
45	5308016566	SCREW,HEX WASHER HEAD
56	218895701	COVER-TERMINAL (S/P)
57	240542601	CLIP-WIRING HARNES (S/P)
58	218897002	SCREW,HEX WASHER HEAD ,8-32 X 0.375 (S/P)
59	5304430246	BRACKET-COND MOTOR ASSY DESCONTINUADO
60	240525402	MOTOR-CONDENSER FAN (S/P)
82	5304418225	ROLLER,COMPRESSOR BASE ,REAR ,(2) (S/P)
83	5303316859	RIVET,FLAT HEAD ,1/4 OD X 1-3/4 ,ROLLER PIN (S/P)
85	240493101	TUBE-CONNECTOR,SUCTION (S/P)
86	240409302	SPACER-COND TUBE,BLACK (S/P)
F61	240524102	FAN BLADE,GALV STEEL ,CONDENSER FAN (S/P)
NI	240346701	TAPE-FOAM SEAL,SHROUD (S/P)
NI	240359401	SCREW-FAN SHROUD,(2) (S/P)
FNI	240388701	WIRING HARNES,CONTROL BOX (S/P)
F1	5304472169	CONDENSER,DYNAMIC (S/P)
FNI	240524701	WIRING HARNES,FREEZER SECTION (S/P)
NI	240581801	HARNES-WIRING,COMPRESSOR (S/P)
NI	218252200	SCREW,NO.8 TRUSS HD ,10-32CA X 0.500 (S/P)
F4	5303305677	DRIER-FILTER,R134A SYSTEM (S/P)
NI	5303918330	HEAT EXCHANGER KIT,SUCTION LINE (S/P)
F14	5303918247	DEFROST HEATER KIT (S/P)
FNI	5304421289	HOT TUBE REPAIR KIT,SERVICE (S/P)

F31	5304433578	OVERLOAD PROTECTOR (S/P)
NI	5308000039	SCREW,HEX WASHER HEAD (S/P)
F21	5303918202	THERMOSTAT-DEFROST,KIT (S/P)
F15	5303918274	EVAPORATOR KIT (S/P)
F29	5304464034	COMPRESSOR,W/ELECTRICALS (S/P)
F30	5304433579	RELAY (S/P)