



REFRIGERATOR

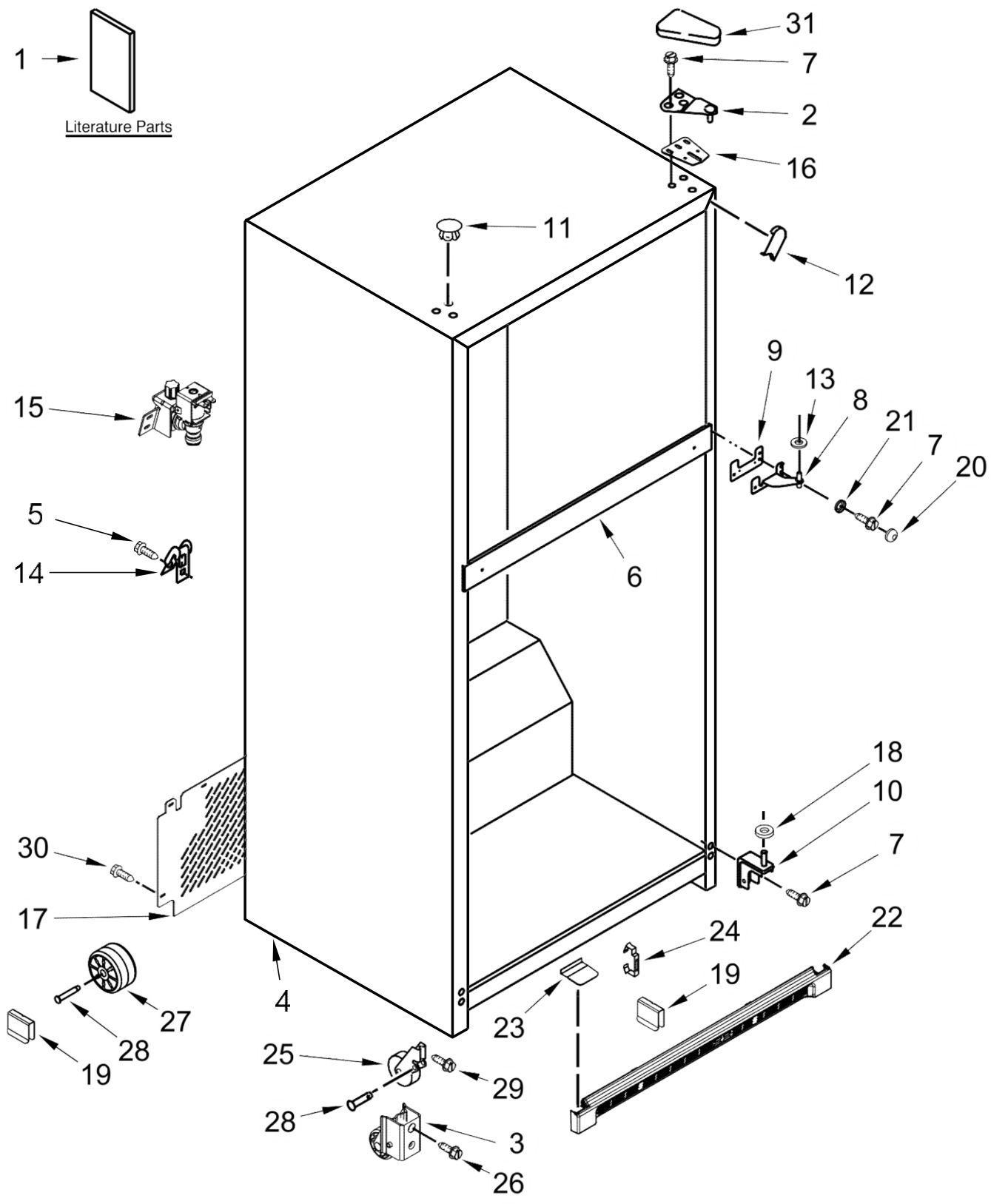
MODELS:

WRT311FZDW00 (White)

WRT311FZDB00 (Black)

WRT311FZDT00 (Biscuit)

WRT311FZDM00 (Monochromatic Stainless)





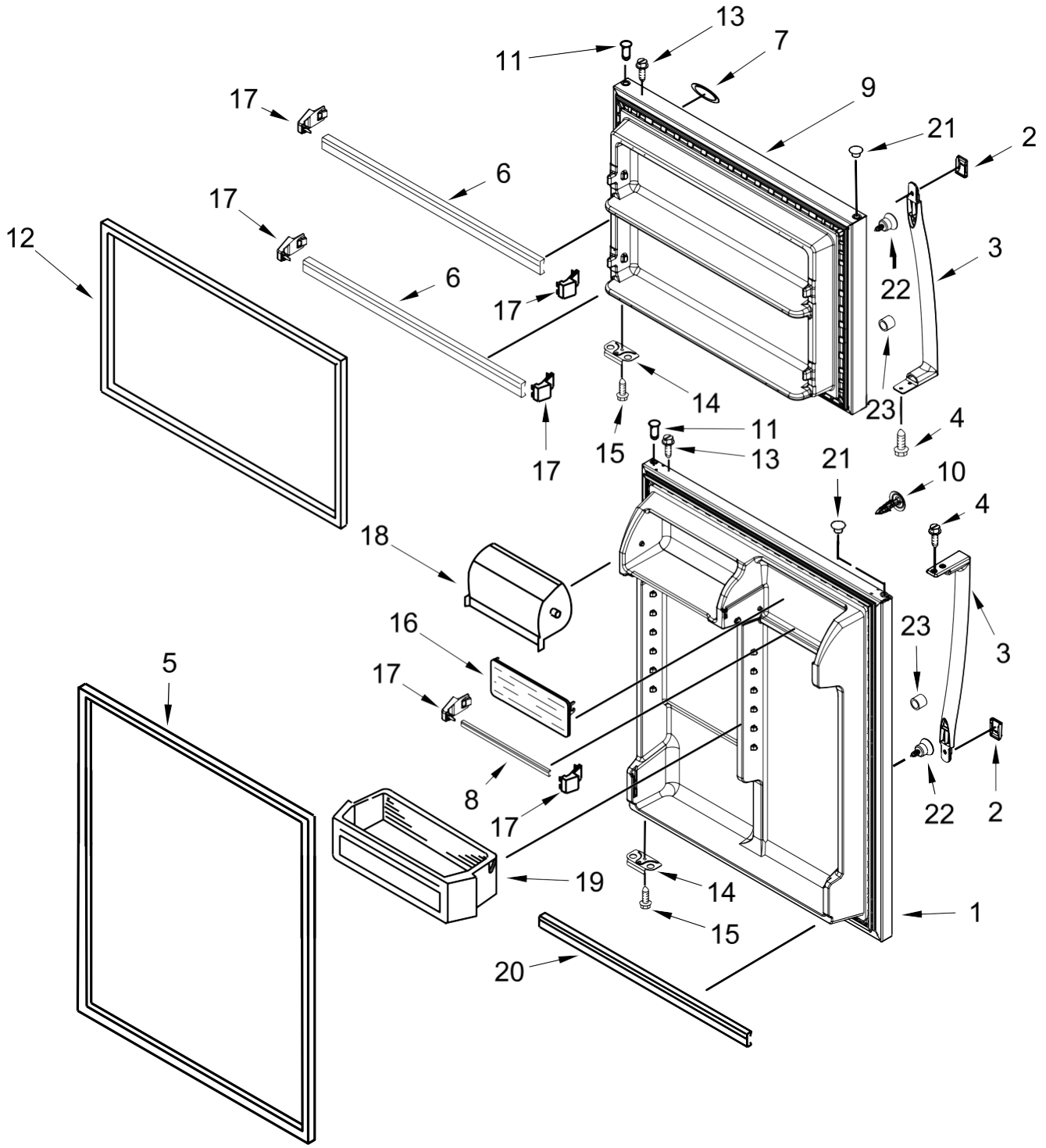
Refrigerador Whirlpool WRT311FZDW00

<u>Illus. No.</u>	<u>Part No.</u>	<u>Description</u>	<u>Illus. No.</u>	<u>Part No.</u>	<u>Description</u>	<u>Illus. No.</u>	<u>Part No.</u>	<u>Description</u>
1		Literature Parts	12		Filler, Wrapper	22		Grille
	W10674984	Service & Wiring Sheet		W10283959	White		W10592141	White
	W10674106	Use & Care Guide		W10283960	Black		W10592142	Black
	W10908015	Energy Label		W10283958	Biscuit/Bisque		W10592143	Biscuit/Bisque
2	2261963	Assembly, Top Hinge		W10283961	Grey		W10592144	Grey
3	W10725960	Assembly, Roller	13	489341	Washer, Plastic	23		Cover, Toe Grille
4		Cabinet (Not Serviced)	14	549193	Clamp, Power Cord		W10600071	White
5	489442	Screw	15	W10498995	Valve, Inlet		W10468609	Black
6		Rail, Center (Not Serviced)	16		Shim, Top Hinge		W10468610	Biscuit/Bisque
7	489497	Screw		2221885	White		W10468611	Grey
8	2254618	Hinge, Center	17	W10609390	Cover, Unit	24	2254385	Clip, Grille
9	2183852	Shim, Hinge Center	18	487576	Washer, Plastic	25	2166108	Assembly, Roller
10	2254473	Hinge, Bottom	19	2174706	Clip, Roller	26	W10142287	Bolt
11		Hole Plug	20		Dome Cap	27	2150304	Roller
	W10520304	White		W10674771	White	28	2221797	Axle, Rivet
	W10520305	Black		W10679135	Black	29	3400517	Screw
	W10520306	Biscuit		W10679138	Biscuit	30	2262176	Screw
	W10520307	Grey		W10679139	Grey	31		Cover, Top Hinge
			21	W10674773	Dome Cap, Washer		2213360	White
							2213363	Black
							2213364	Biscuit
							2254510	Grey



Refrigerador Whirlpool WRT311FZDW00

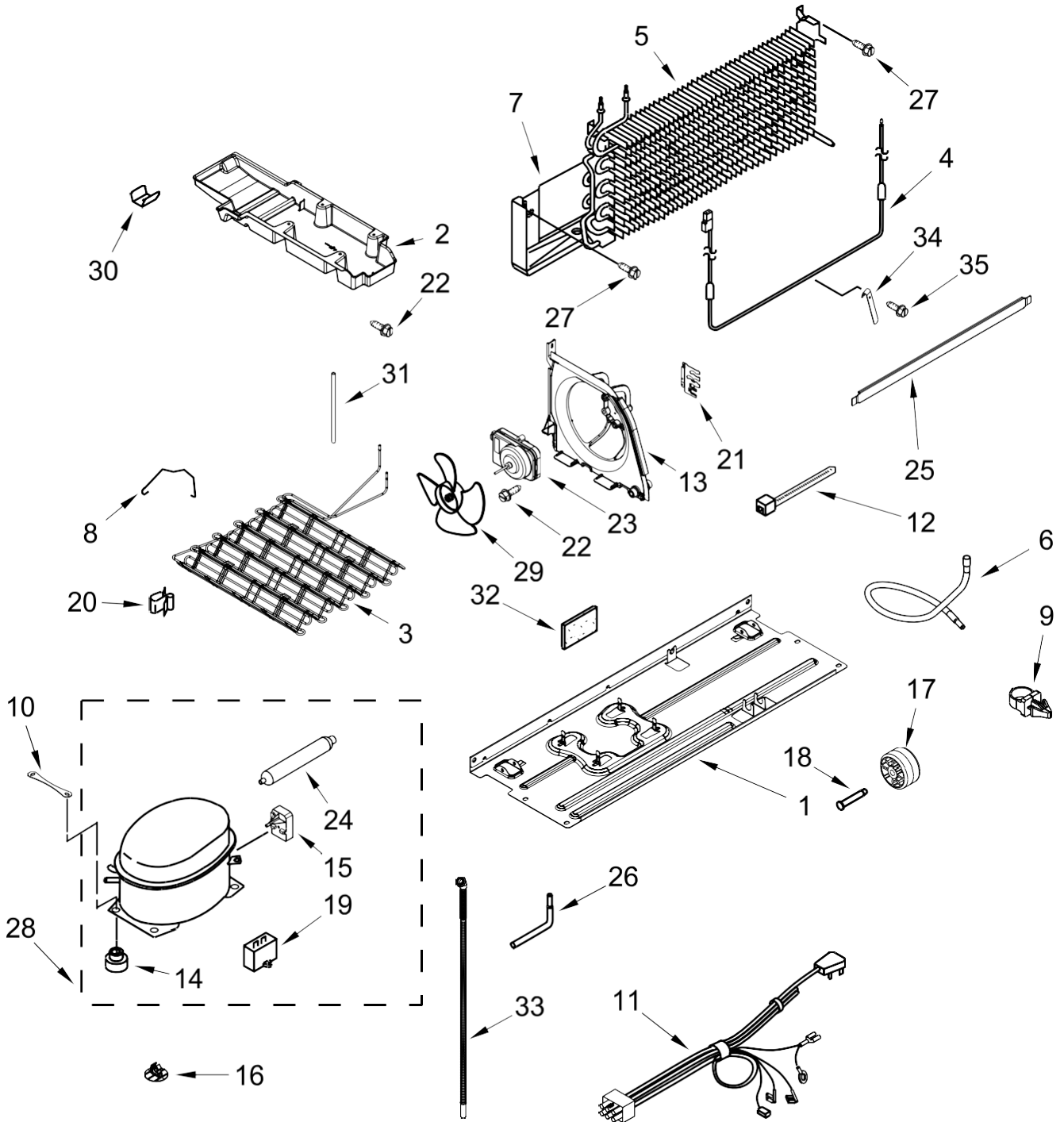
<u>Illus.</u> <u>No.</u>	<u>Part No.</u> <u>Description</u>	<u>Illus.</u> <u>No.</u>	<u>Part No.</u> <u>Description</u>	<u>Illus.</u> <u>No.</u>	<u>Part No.</u> <u>Description</u>
1	Liner (Not Serviced)	13	W10610070 Assembly, Thermostat	26	W10570952 Knob, Air Control
2	2197380 Grommet	14	W10609502 Cup, Air Diffuser	27	W10381575 Tube, Thermostat Barrier
3	2254360 Gasket, Evaporator Cover	15	W10300161 Shield, Light	28	W10339203 Cover, Water Tube
4	W10352689 Control, Adaptive Defrost	16	W10616173 Cover, Evaporator	29	W10321162 Bracket, Fan Motor
5	Hole Plug	17	W10820003 Lamp, Led	30	W10418502 Spacer
	941839 White	18	2254454 Bracket, Evaporator Fan Rear	31	W10316941 Box, Control
6	488208 Screw	19	1118894 Switch, Rocker Arm	32	W10336009 Cup, Screw
7	W10576428 Wire Assembly, Control Box	20	W10392132 Bi-Metal, Defrost	33	W10348614 Cover, Light
8	2162085 Socket, Light	21	W10305175 Cover, Air Diffuser	34	W10141596 Screw
9	W10142283 Screw (White)	22	W10716304 Knob, Control	35	489174 Screw
10	2315539 Motor, Evaporator Fan	23	W10662269 Baffle, Air Manual	36	2210509 Valve, Release
11	2200509 Blade, Fan	24	W10610107 Assembly, Air Diffuser		
12	W10654834 Air Tower Assembly, FC	25	W10336529 Assembly, Freezer Compartment Wire		





Refrigerador Whirlpool WRT311FZDW00

<u>Illus. No.</u>	<u>Part No.</u>	<u>Description</u>	<u>Illus. No.</u>	<u>Part No.</u>	<u>Description</u>	<u>Illus. No.</u>	<u>Part No.</u>	<u>Description</u>
1		Refrigerator Door (Includes Illustration 5)	8	W10720455	Trim, Door	20	W10720448	Trim, Shelf
	W10599404	White	9		Freezer Door (Includes Illustration 12)	21		Plug, Hinge
	W10599396	Black		W10599407	White		2212648	White
	W10679333	Biscuit/Bisque		W10599399	Black		2212651	Black
	W10642551	Stainless		W10679336	Biscuit/Bisque		2212649	Biscuit
2		Handle, Trim		W10642554	Stainless		2254517	Grey
	W10672338	White				22	W10170540	Screw
	W10672339	Black	10		Hole Plug			WRT311FZDM00
	W10672341	Biscuit		W10663736	White	23	W10511911	Bushing, Handle
	W10864206	Grey		W10663737	Black			WRT311FZDM00
3		Handle, Door		W10663738	Biscuit			FOLLOWING PARTS NOT ILLUSTRATED
	W10672333	White		W10663739	Grey		W10662124	Door Reversal Kit, White Model
	W10672334	Black	11	2314293	Thimble		W10676239	Door Reversal Kit, Black Model
	W10672336	Biscuit	12		Door Gasket, Magnetic		W10691128	Door Reversal Kit, Biscuit Model
	W10653470	Stainless		W10692653	White		W10676240	Door Reversal Kit Stainless Model
4	489357	Screw		2214969	Black			
5		Door Gasket, Magnetic		2214967	Beige			
	W10692652	White		W10171479	Grey			
	2202882	Black	13	8281206	Screw			
	2202875	Beige	14	2189202	Bracket, Door Stop			
	W10171475	Grey	15	489276	Screw			
6	W10720452	Trim, Door	16	2188236	Door, Flip			
7		Nameplate	17	2195916	Cap, Door Trim End			
	W10481434	White	18	W10385897	Compartment Door			
	W10481433	Grey	19	W10582649	Bin, Door			





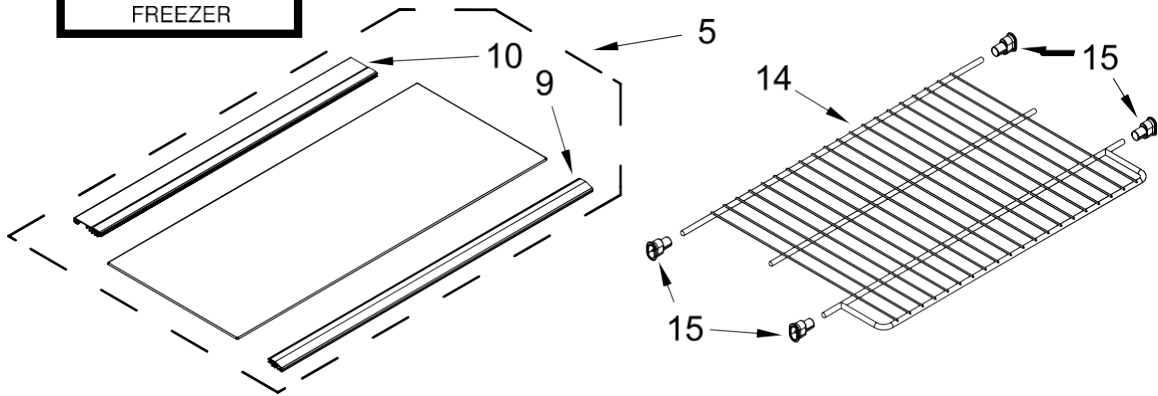
Refrigerador Whirlpool WRT311FZDW00

<u>Illus.</u> <u>No.</u>	<u>Part No.</u>	<u>Description</u>
1	W10300118	Baseplate
2	W10802027	Tray, Drain
3	W10609393	Condenser
4	W10316428	Heater, Defrost
5	W10570565	Assembly, Evaporator
6	W10510988	Tube, Suction
7	W10314195	Shield, Heat
8	W10174384	Strap, Bale
9	2219077	Clip, Harness
10	W10236396	Strap, Compressor
11	W10410814	Harness, Unit
12	2263990	Tie, Wire
13	W10609392	Baffle, Air
14	10835903SP	Grommet, Compressor
15	W10448874	Device, Start
16	W10815861	Clip, Bottom Cover

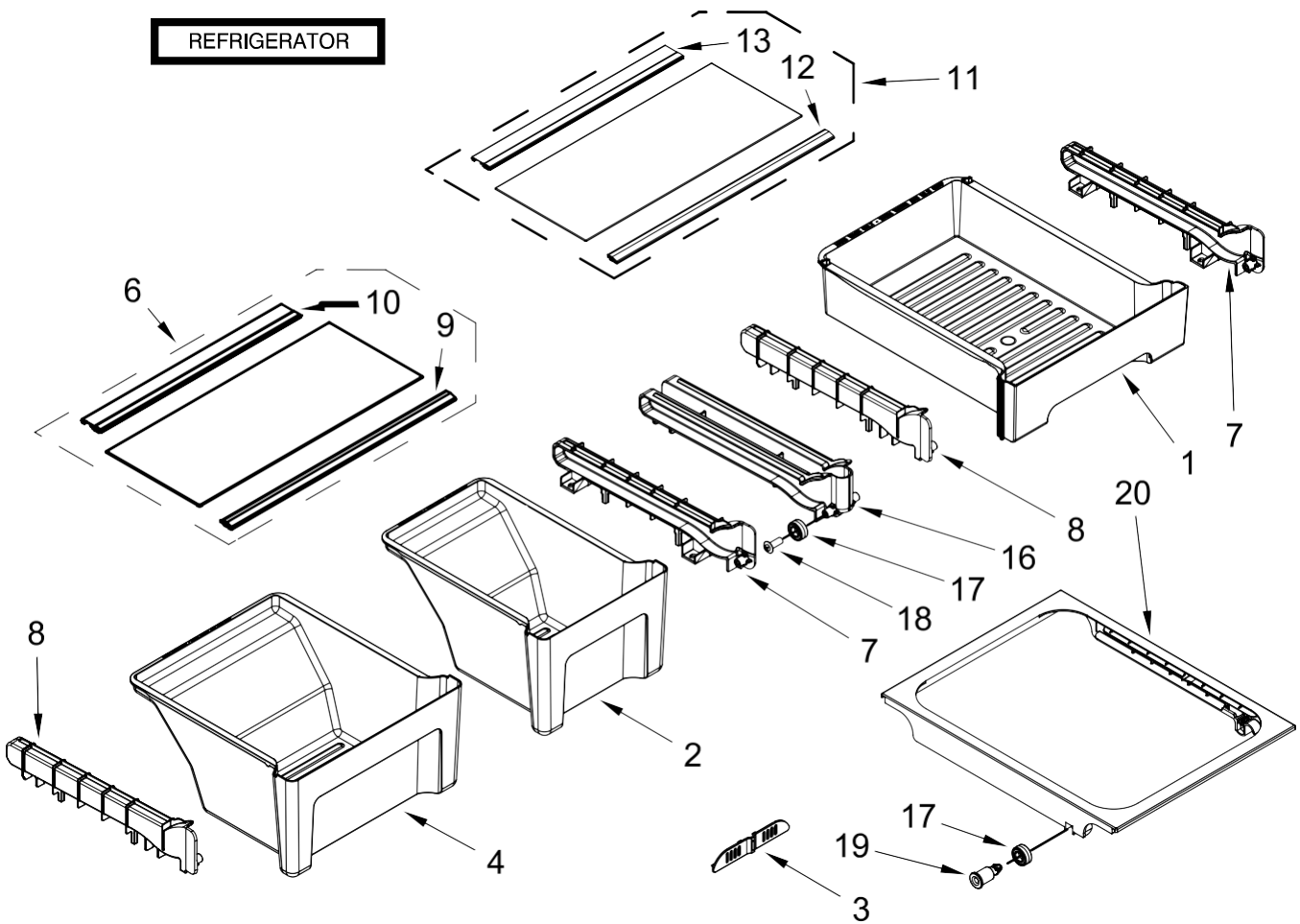
<u>Illus.</u> <u>No.</u>	<u>Part No.</u>	<u>Description</u>
17	W10475495	Roller
18	2179826	Axle, Rivet
19	W10590083	Capacitor
20	939054	Clip, Wire (Compressor)
21	W10314197	Bracket, Evaporator
22	W10622701	Screw
23	W10527155	Motor, Condenser Fan
24	W10669573	Drier
25	W10300902	Cover, Heater
26	VS20001	Tube, Process
27	489442	Screw
28	W10445423	Compressor
29	W10817071	Blade, Fan
30	W10248621	Clip, Condenser
31	W10519112	Valve, Drain
32	2215468	Insulation, Sound

<u>Illus.</u> <u>No.</u>	<u>Part No.</u>	<u>Description</u>
33	W10475011	Tube, Drain
34	2258429	Heat Probe
35	489478	Screw
		FOLLOWING PARTS NOT ILLUSTRATED
	978025	Valve, Access
	978026	Valve, Access
	978027	Valve, Access
	978028	Valve, Access
	978029	Valve, Access
	978030	Valve, Access
	876764	Valve, Access
		REFRIGERANT CHARGE
		5.0 oz. (R-134A)

FREEZER



REFRIGERATOR





Refrigerador Whirlpool WRT311FZDW00

<u>Illus. No.</u>	<u>Part No.</u>	<u>Description</u>
1	W10714006	Pan, Meat
2	W10662133	Pan, Crisper
3	W10356844	Control, Humidity
4	W10663427	Pan, Crisper 16"
5	W10809780	Assembly, Shelf Crisper
6	W10809779	Assembly, Shelf RC
7	W10694151	Track Rail, RightHand
8	W10694149	Track Rail, Left Hand

<u>Illus. No.</u>	<u>Part No.</u>	<u>Description</u>
9	W10809769	Trim, Shelf Front
10	W10691459	Trim, Shelf Rear
11	W10691487	Assembly, Shelf
12	W10691528	Trim, Shelf Front
13	W10691529	Trim, Shelf Rear
14	W10477093	Shelf, Wire
15	W10130299	Cup, Shelf
16	W10694150	Track Rail, Center
17	W10628713	Roller, Pan

<u>Illus. No.</u>	<u>Part No.</u>	<u>Description</u>
18	3400065	Screw (Stainless)
19	W10628712	Axle, Roller
20	W10628698	Holder, Meat Pan

OPTIONAL PARTS

FOLLOWING PARTS NOT ILLUSTRATED

<u>Illus. No.</u>	<u>Part No.</u>	<u>Description</u>
978941		Insulation, Fiberglass (63 1/2" x 35 1/2" x 2 5/8")
212643		Sealer, Gum (4 Feet)
479502		Tape, Vinyl (3/4 x 108")
876305		Insulation Kit (14 Pieces, 3" x 24" x 48")
876370		Insulation (2 Pieces, 3" x 24" x 48")
876029		Kit, Foam Slab (30" x 32 1/2" x 1 1/2")
505587		Sealer, Mastic (1 Qt)
511873		White Porcelain (2 oz.)
542638		Grease, Silicone (1/2 Oz.)
542639		Cement, Alumilastic (1 1/4 Oz.)
606755		Bag
833938		Kit, Terminal Connector
503695		Cork, Sealer
8003RP		Kit, Water Inlet

PAINT, TOUCH-UP (1/2OZ.)

<u>Illus. No.</u>	<u>Part No.</u>	<u>Description</u>
	72017	White
	72032	Black
	4392899	Biscuit/Bisque

PAINT, PRESSURIZED SPRAY (12 OZ.)

<u>Illus. No.</u>	<u>Part No.</u>	<u>Description</u>
	350942	White Primer
	350939	Enamel, Black
	350930	White
	4392901	Biscuit/Bisque

PAINT, BULK (1 QT.)

<u>Illus. No.</u>	<u>Part No.</u>	<u>Description</u>
	799344	White (Uncut)
	4392900	Biscuit/Bisque

TORX SCREW WRENCH

<u>Illus. No.</u>	<u>Part No.</u>	<u>Description</u>
	1117510	Torx Key