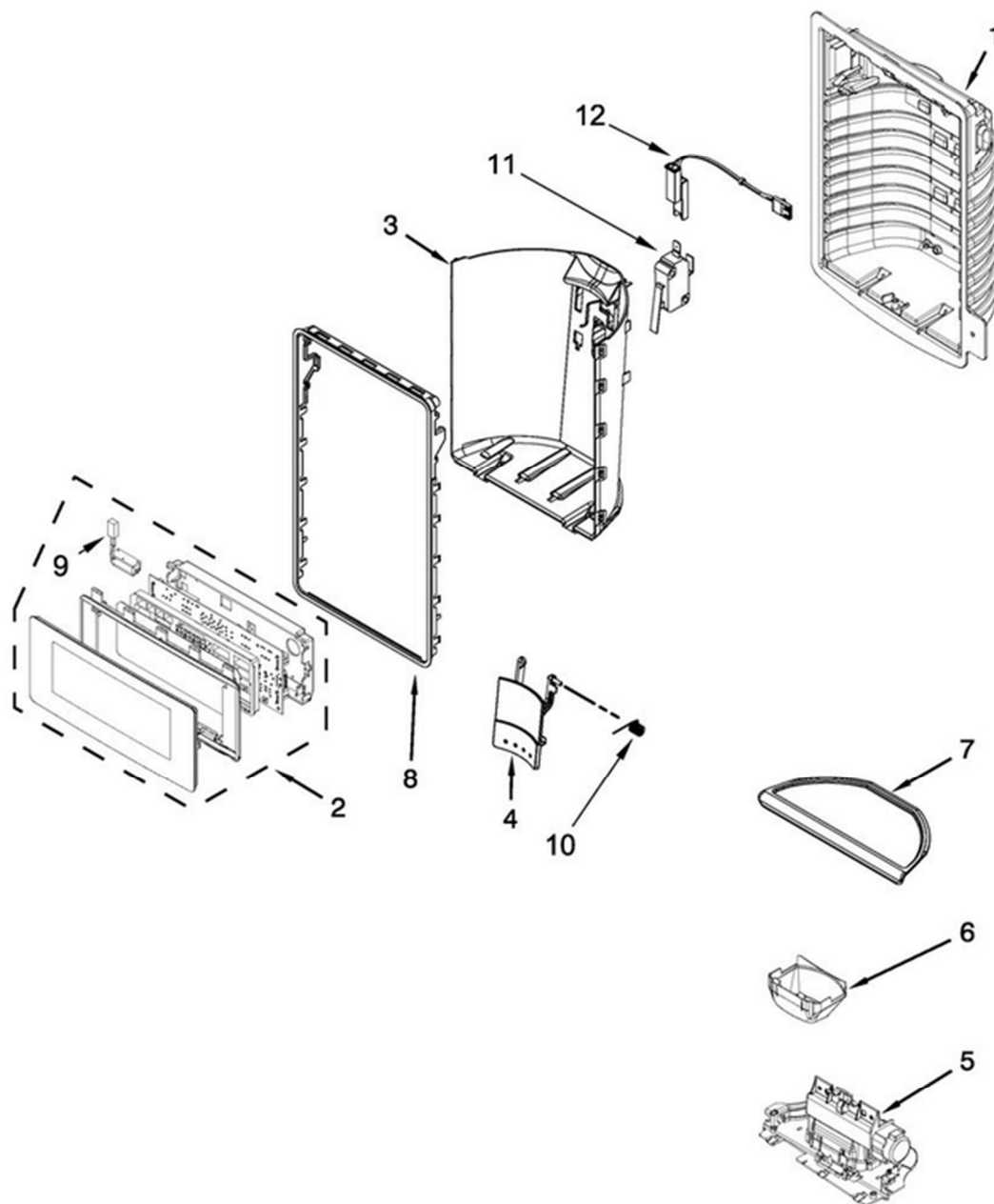
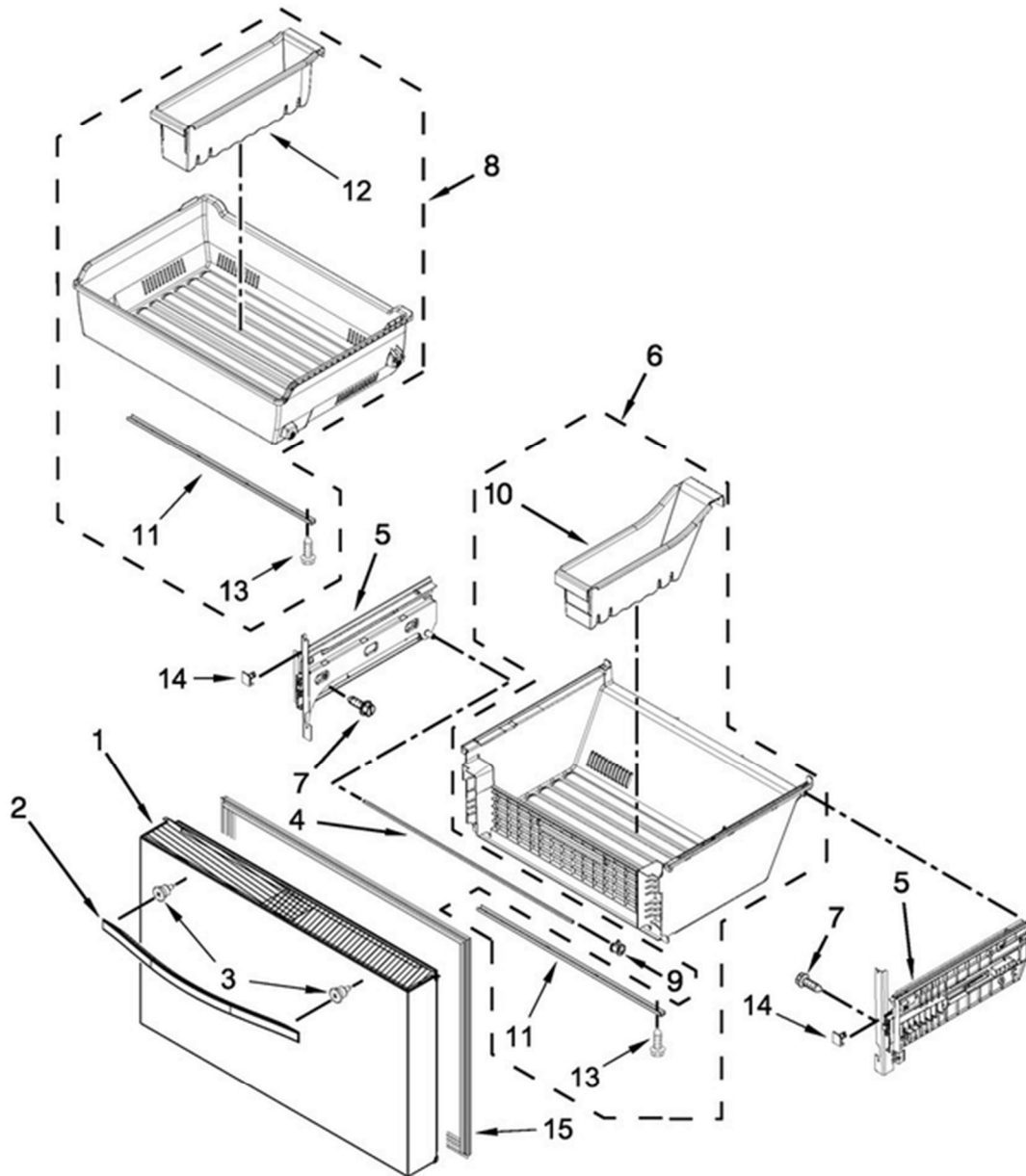


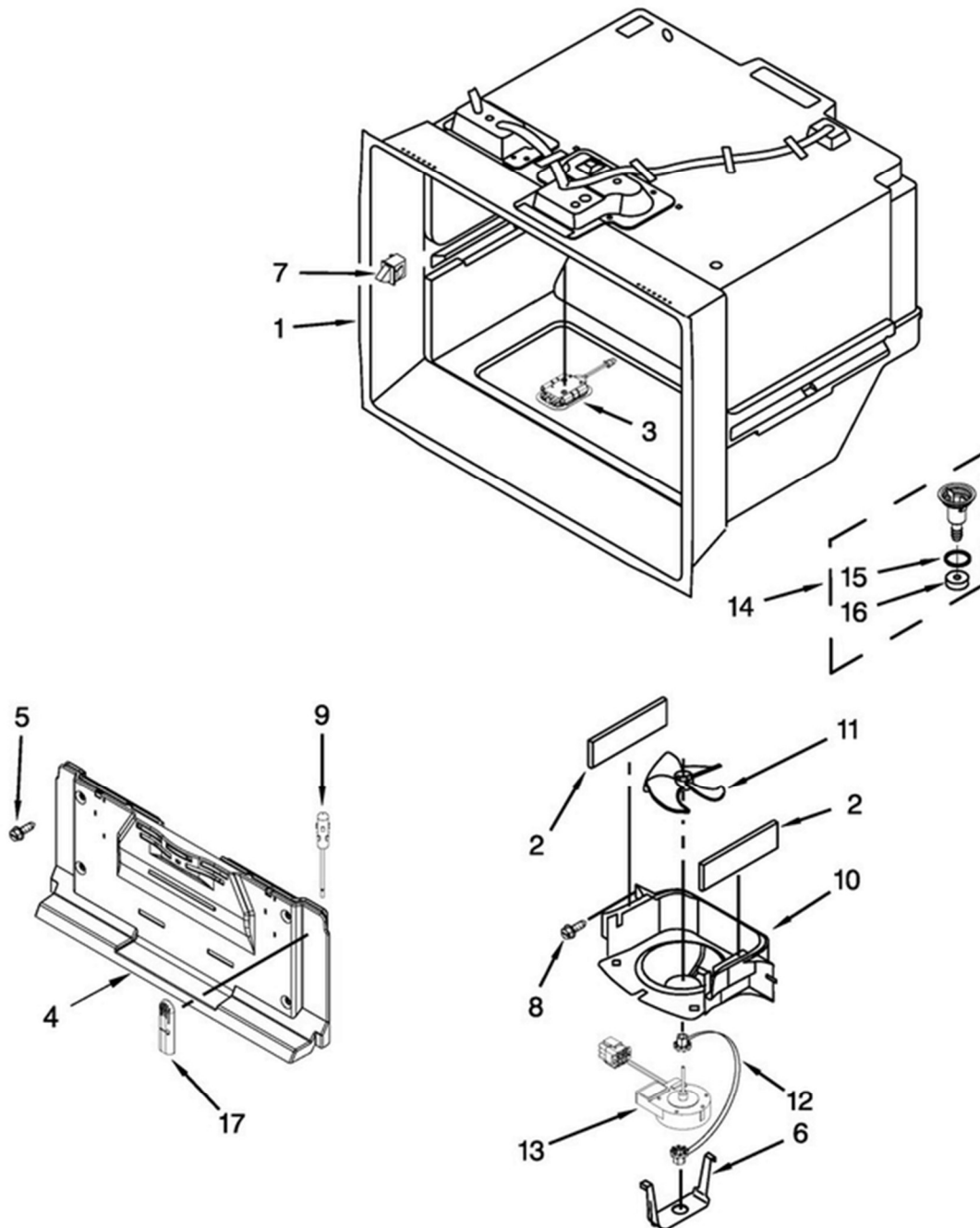
Guía	Descripción	# de parte
2	Power Supply Board	WPW10624574
3	BLOCK-PIV	W10734554
4	GASKET	W10505487
5	Electronic Control Board	WPW10675033
6	GASKET	W10415341
7	PLUG	A3076901
8	Foot Brake	WPW10141622
9	Screw	WP8281196
10	HINGE-DOOR	W11027247
10A	HINGE-DOOR	W11027248
11	Refrigerator Door Hinge Screw	WP67006380
12	COVER	W10725013
12A	COVER - GRAY - RH	W10709866
13	COVER	W10277839
14	Screw - Black	WPW10308751
15	Center Hinge - Right - Grey	W11167119
16	COVER	W10336736
17	Corner Cover - Apollo Gray	WP12587703AP
18	Water Inlet Valve	W10865826
19	Single Roller - Left Front	WPW10515763
19A	Single Roller - Right Front	WPW10515762
20	SCREW	67006564
21	Screw	WP33001882
22	GRILLE-FRT	W10911309
23	SCREW	W11214483
24	Center Hinge - Left - Grey	W11122872
25	Screw	WPW10141645
26	Screw	67006425
27	Main Electronic Control Board	W10804160
28	COVER	W10754591
29	Door Switch	W11396033
30	COVER-BACK	W11482027
31	CLAMP	W11456069
32	SCREW	W10854958
33	TUBE-WATER	W11482381
34	GROMMET	W10705239
36	USE WPL 3196256	549193
37	Screw	WPW10141645



Guía	Descripción	# de parte
2	Control, Electric	WPW10677104
3	SHIELD	W10663632
4	PAD	W10673702
5	DOOR-ICE	W11122874
6	GUIDE-ICE	WPW10435760
7	TRAY-DRIP	W10679589
8	TRIM	W10663633
9	Dispenser Indicator Light	W11290115
10	SPRING	W11109505
11	SWITCH	W11087492
12	HARNS-WIRE	W11238426

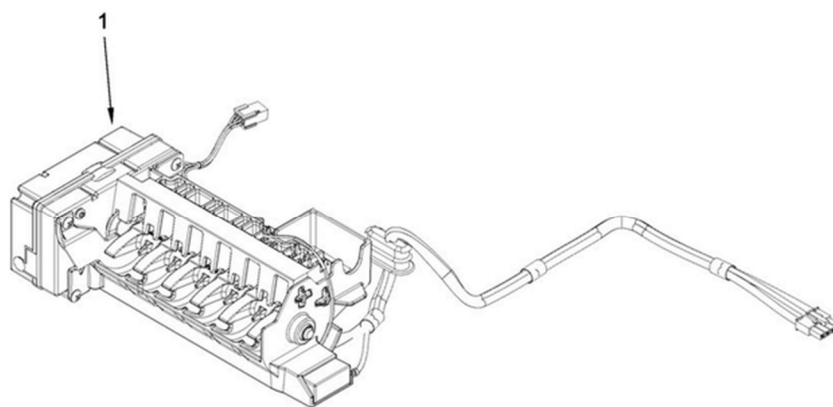


<b>Guía</b>	<b>Descripción</b>	<b># de parte</b>
1	DOOR ASSEMBLY SS	W10815698
2	HANDLE	W11459378
3	Screw	WPW10661886
4	Shaft	WPW10503522
5	ADAPTER ASSY-FC,LH & RH SET, W	W11668671
5A	Bracket - Right Side	W10625068
6	BIN-FREEZR	W10680631
7	Screw	WP67006908
8	BIN-FREEZR	W10704090
9	CLIP	W10852685
10	DIVIDER	W10507444
11	SUPPORT-PAN,FZ	W11677723
12	Divider	WPW10485654
13	Screw	WP489443
14	Pan Stop - Left Side	WPW10485096
14A	Pan Stop - Right Side	WPW10485089
15	Door Gasket - Gray	W10407216

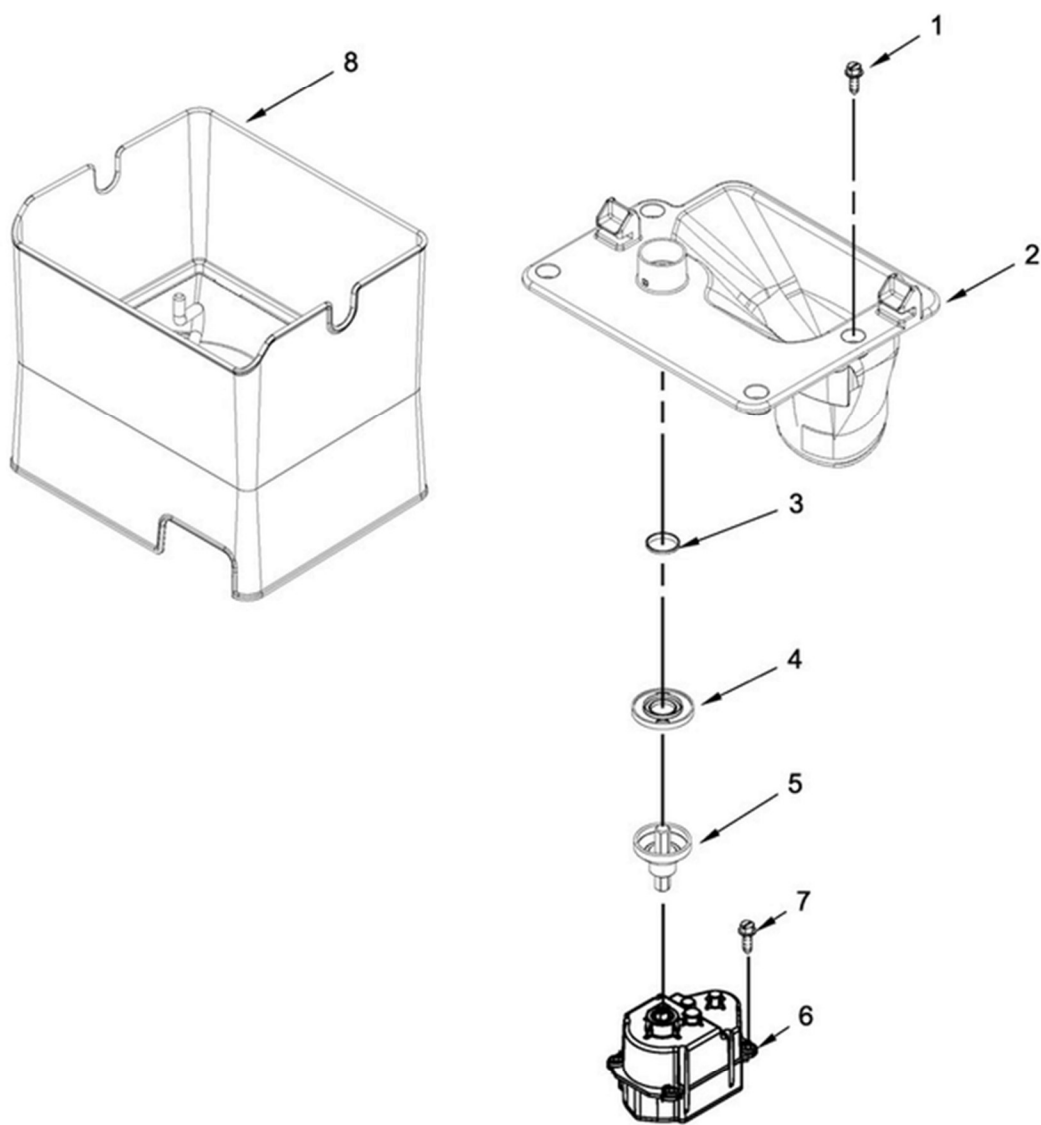


<b>Guía</b>	<b>Descripción</b>	<b># de parte</b>
2	GASKET	W10856123
3	LED MODULE SERVICE KIT, WHITE,	W11683243
4	COVER-EVAP,FC,DUAL	W11690163
5	Screw - 8-32 X 1-1/4	WP488163
6	CLIP- FAN	67006338
7	Refrigerator Door Switch	W11384469
8	Screw	WP98165
9	THERMISTOR	W10316760
10	Shroud	WPW10363507
11	FREEZER FAN BLADE	WP67006337
12	GROMMET-F	W11676465
13	MOTOR-EVAP	W11109595
14	FUNNEL	W10503218
15	SEAL- O RI	WPM0500703
16	Drain Tube Gasket	WPB8381501
17	COVER	W10698555

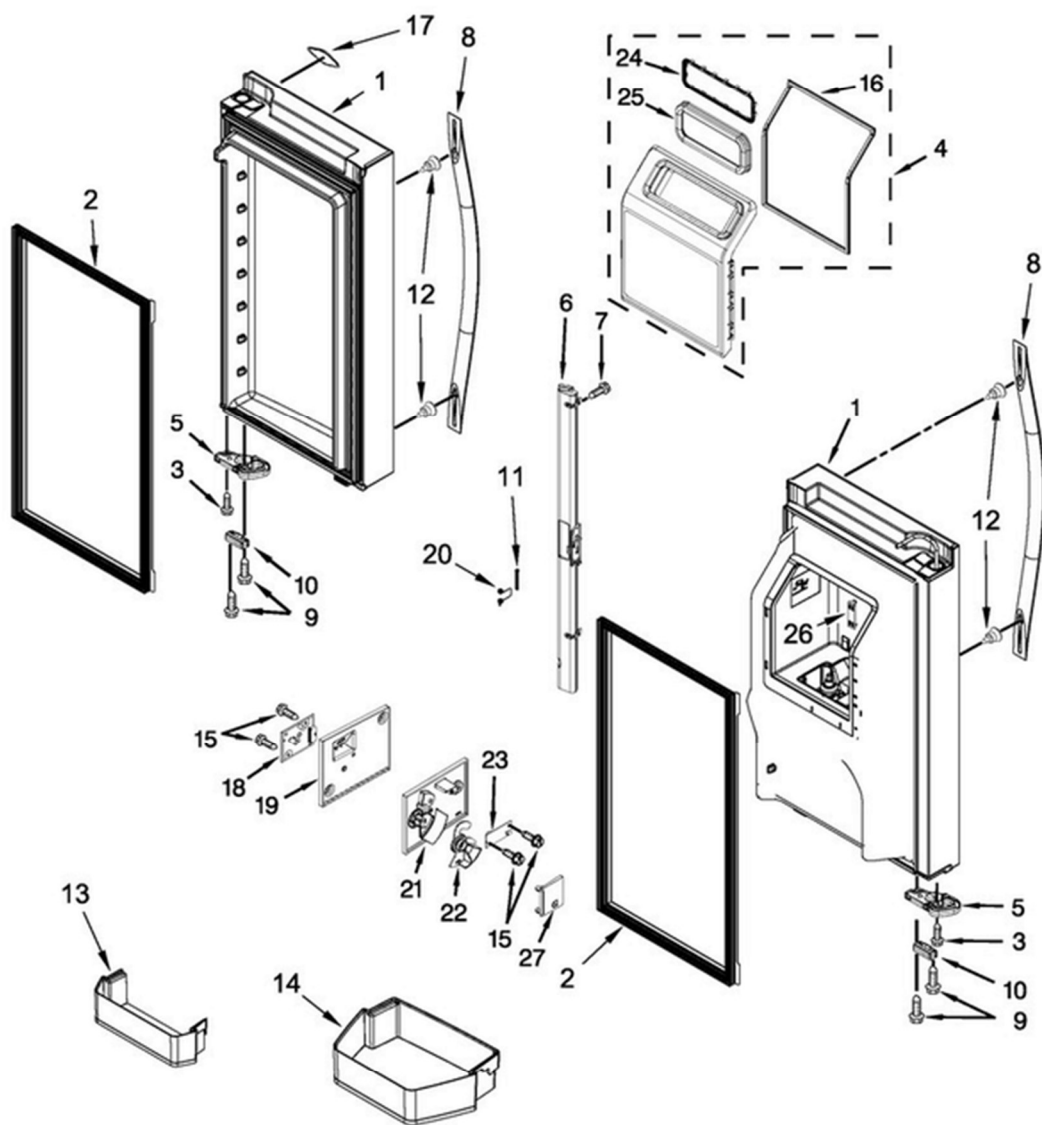




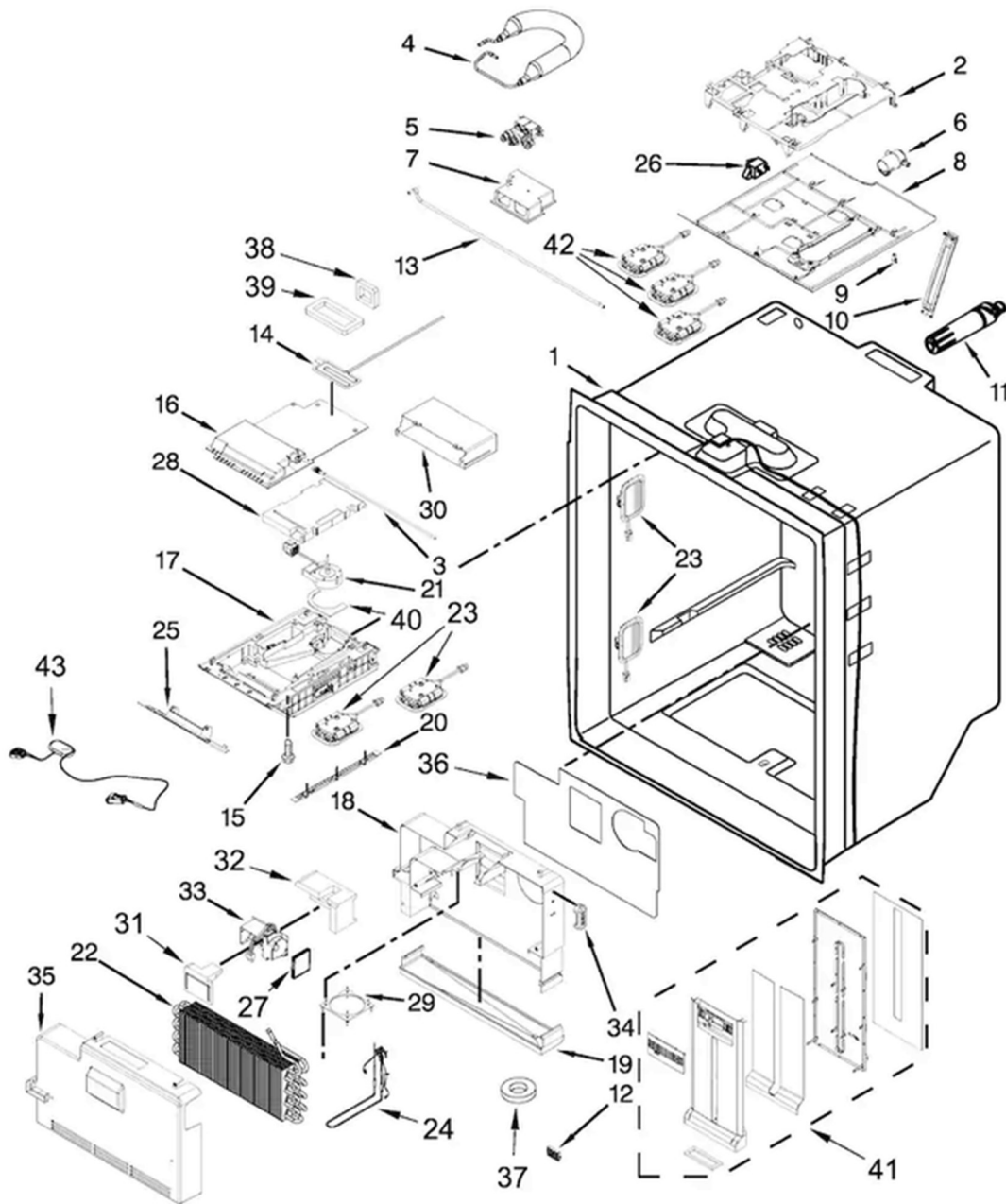
Guía	Descripción	# de parte
1	ICE MAKER ASSY-LP	W11658802



<b>Guía</b>	<b>Descripción</b>	<b># de parte</b>
1	Screw	WPW10272364
2	PLATE	W11347434
3	Seal	WP2198628
4	CLIP	W10847834
5	SHAFT	W11509548
6	Ice Bucket Auger Motor	W10822606
7	Screw	WP8281163
8	Ice Container	WPW10347093



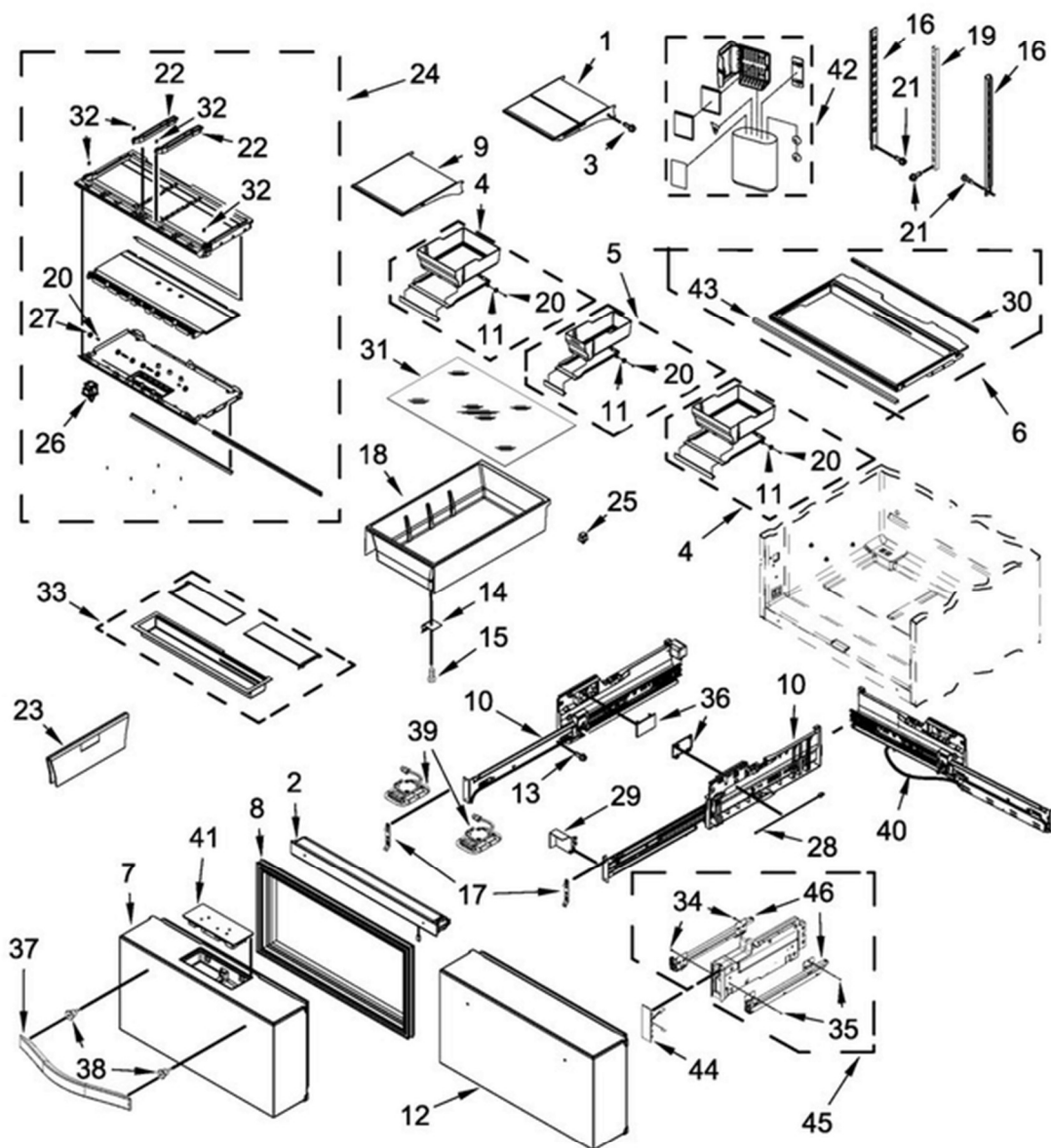
<b>Guía</b>	<b>Descripción</b>	<b># de parte</b>
1	DOOR ASSEMBLY SS	W10815692
1A	DOOR ASSEMBLY SS	W10815685
2	GASKET-FIP	W10846057
3	Screw	WPW10464016
4	DOOR-ICE	WPW10549589
5	CLOSER	W10904595
5A	CLOSER	W11212164
6	RAIL-MULLN	W11122876
7	SCREW	W11311945
8	HANDLE	W11459378
9	Screw	WP98165
10	BUMPER-DOR	W11573367
11	PIN-DOOR	WP2198634
12	Screw	WPW10661886
13	Trivet Shelf	W11366475
14	BIN-CNTLVR	W11371716
15	SCREW	2006254
16	GASKET	W11624997
17	Nameplate	WPW10393265
18	Receiver Control Board	W10898445
19	COVER	W10258510
20	Emmitter Door Spring	WP2198635
21	COVER	W10258502
22	SLIDE	W10258540
23	LED Emitter Control Board	W10870822
24	Retainer	WPW10400825
25	Gasket	WPW10347087
26	VENT	W11684620
27	Flipper	WPW10258520



Guía	Descripción	# de parte
2	USE WPL W10839962	W10842950
3	Water Tube	W10815476
4	RESERVOIR	W11168758
5	Secondary Dual Water Inlet Valve	WPW10341329
6	HOUSING	W11194438
7	USE WPL W10279854	W10811115
8	COVER	W11190820
9	Refrigerator Water Filter Cover Clip	WP2223877
10	COVER-FILT	WPW10277949
11	Water Filter	EDR2RXD1
12	Refrigerator Air Filter	W10311524
13	TUBE-WATER	W11579166
14	HEATER	W11226501
15	Screw	WP67006908
16	Cover	WPW10598013
17	BOX-ICE	W11242954
18	HOUSING	W11435997
19	PAN-DRIP	W11457241
20	TRIM	W10505516
21	FAN	W10846539
22	EVAPORATOR	W11492867
23	LED MODULE SERVICE KIT, WHITE,	W11683243
24	MOTOR-EVAP	W11087438
25	HEATER	W10682576
26	Refrigerator Door Switch	W11384469
27	GASKET	W10470981
28	Insulation	WPW10280983
29	Support	WPW10389152
30	Adapter	WPW10635022
31	RETAINER	W11225849
32	SUPPORT	W11230117
33	Damper Control Assembly	WPW10248595
34	COVER	W11238397
35	COVER-EVAP	W11188493
36	GASKET	W10465948
37	GASKET	W11568592
38	Gasket	WPW10320706
39	Gasket	WPW10280988
40	Gasket	WPW10392172

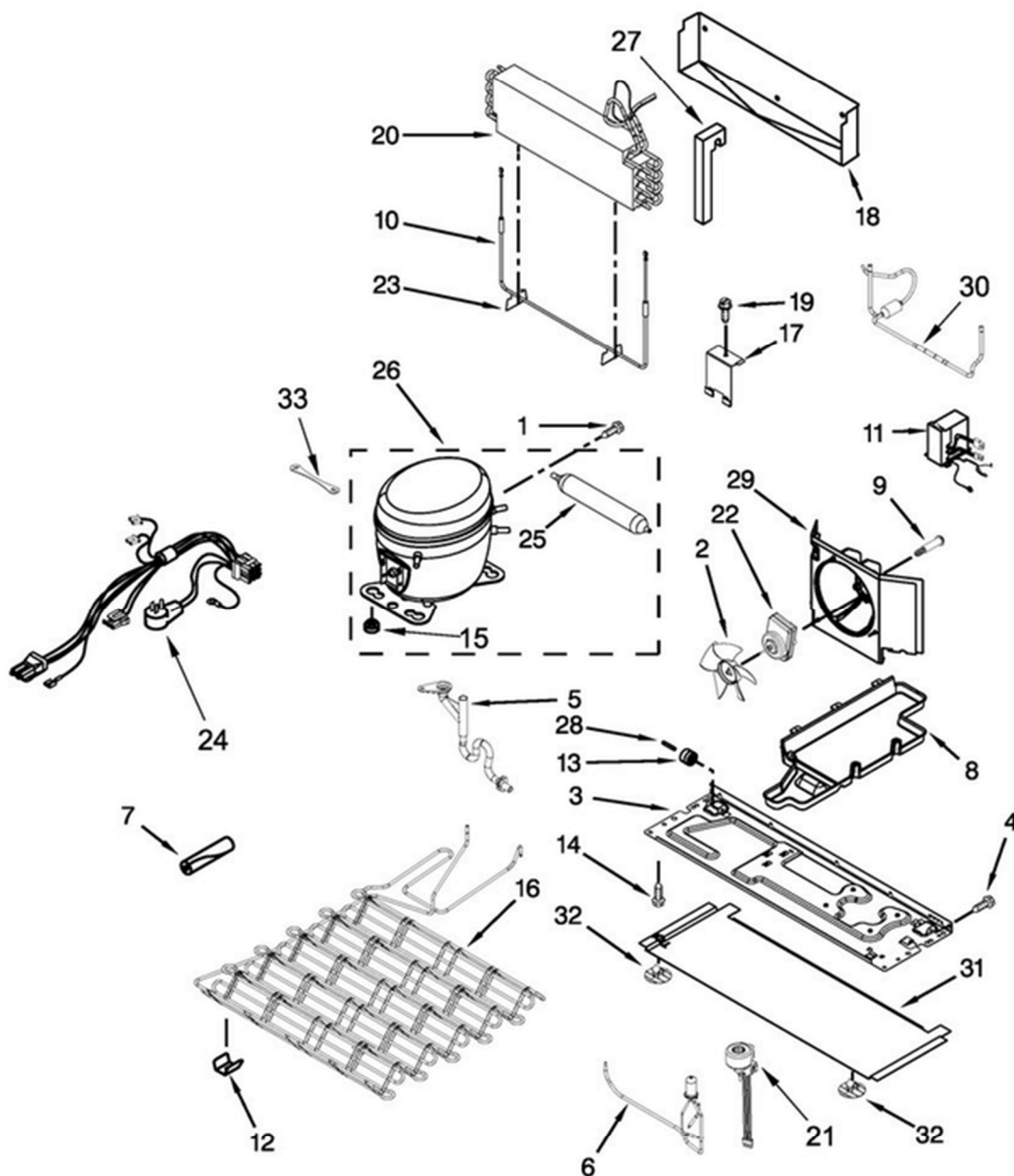
Guía	Descripción	# de parte
41	AIR-TOWER	W10830496
42	LED MODULE SERVICE KIT, WHITE,	W11683243
43	WIRE-JUMPR	W10673048





Guía	Descripción	# de parte
1	Glass Shelf	WPW10709175
2	RAIL-MULLN	W10730996
3	SCREW	W10421495
4	PAN-CRISPR	W10839369
5	PAN-CRISPR	W10509275
6	Crisper Cover Frame	W11127833
7	DOR-FIP Stainless Steel	W10815674
8	GASKET-FIP	W10832386
9	Glass Shelf	WPW10709163
10	ADAPTER	W11294518
10A	ADAPTER	W11294519
11	ROLLER	W10788795
12	DOR-FIP Stainless Steel	W10815676
13	Screw	WP98006631
14	CLIP	W10704335
15	SCREW	W10664603
16	LADDER	W10467460
17	CLIP	W10732765
18	PAN-UTILTY	W10882850
19	LADDER	W10467461
20	Screw	67006692
21	Screw	WPW10666373
22	GUIDE	W10638123
23	DIVIDER	W11026309
24	FLOOR	W10802388
25	Refrigerator Door Switch	W11384469
26	SWITCH	W11291138
27	ROLLER	W10788795
28	THERMISTOR	W11168403
29	COVER	W10711645
30	SUPPORT	W10493547
31	SHELF-GLAS	W11038526
32	PAD	12702901
33	BIN	W10634634
34	NUT	W10737730
35	SCREW	W10737605
36	COVER	W10518036
37	HANDLE	W10915399
38	Screw	WPW10661886

<b>Guía</b>	<b>Descripción</b>	<b># de parte</b>
39	LED MODULE SERVICE KIT, WHITE,	W11683243
40	HARNS-WIRE	W11170612
41	Control, Electric	WPW10677119
42	PRO PRSERV	P1KL6S1CS
43	SUPPORT	W10530297
44	COVER	W10830861
45	ADAPTER	W10738093
46	SLIDE	W10735384
46A	SLIDE	W11242542



<b>Guía</b>	<b>Descripción</b>	<b># de parte</b>
1	Screw	WPW10141625
2	Blade, Fan	WP2188935
3	PLATE	W10570074
4	Screw	67006425
5	EXTENSION-DRAIN,DUAL EVAP	W11661573
6	VALVE	W11575003
7	SLEEVE	W11661094
8	Evaporator Drip Tray	W11225840
9	SCREW	W10829281
10	DEFROST HEATER	WP12729128
11	INVRTR-BOX	W11087200
12	CLIP	W10683556
13	Roller	WP67005149
14	SCREW	W10709798
15	Grommet	WPW10169124
16	CONDENSER	W10758093
17	BRACKET	W10391376
18	TRAY-DRIP	W11408656
19	SCREW	W10142255
20	Evaporator	WPW10608485
21	SOLENOID	W11429989
22	CONDENSER FAN MOTOR	W11127829
23	CLIP	W11673433
24	HARNS-WIRE	W11190822
25	Drier (Service)	WPW10143759
26	COMPRESSOR	W10779331
27	GASKET	W10491355
28	AXLE- ROLL	67006434
29	Shroud	WPW10406719
30	Tube	WPW10626970
31	COVER-UNIT	W10278140
32	CLIP	W10296661
33	STRAP	W10236396