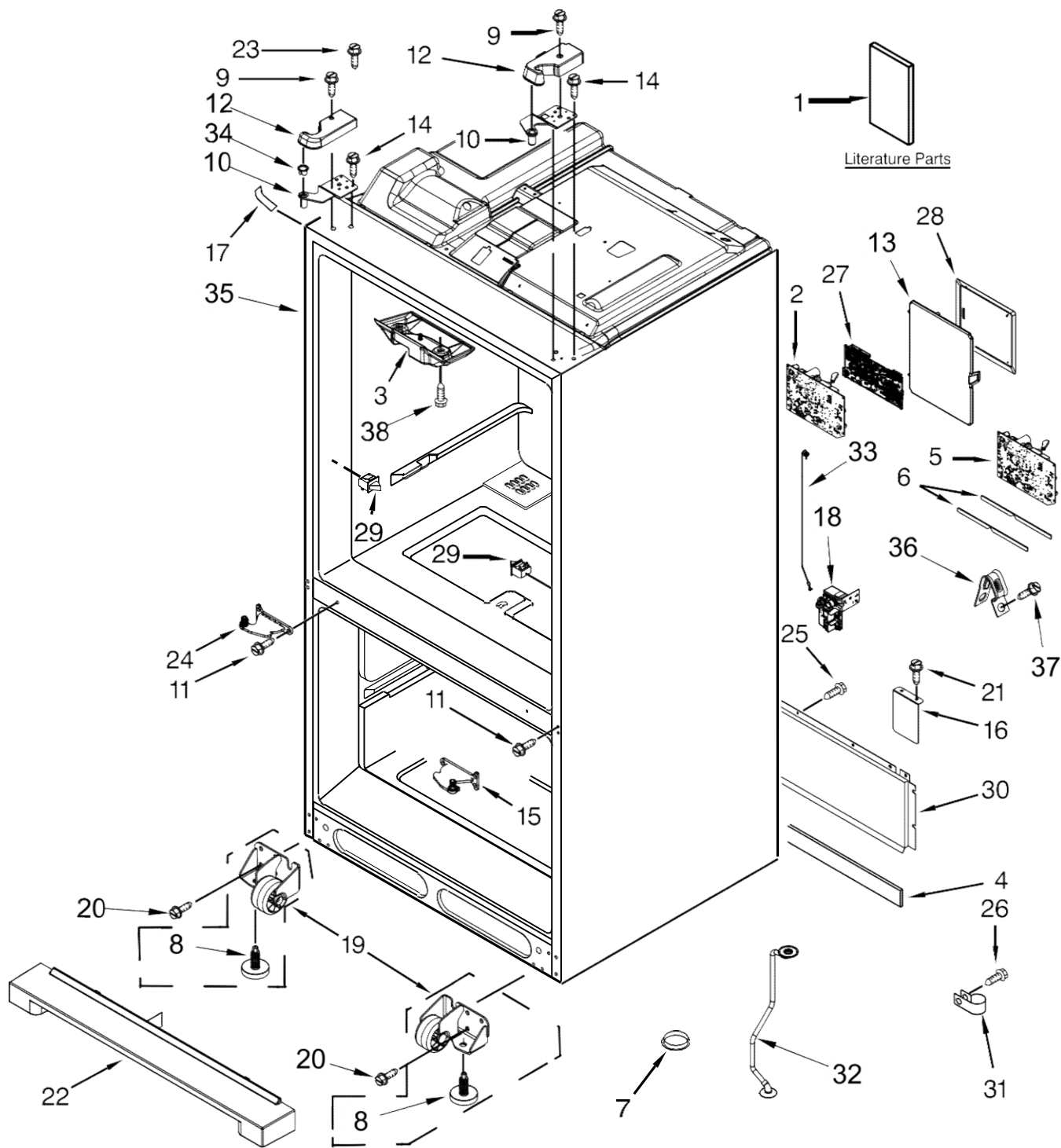




FRENCH DOOR BOTTOM MOUNT REFRIGERATOR

MODELS:

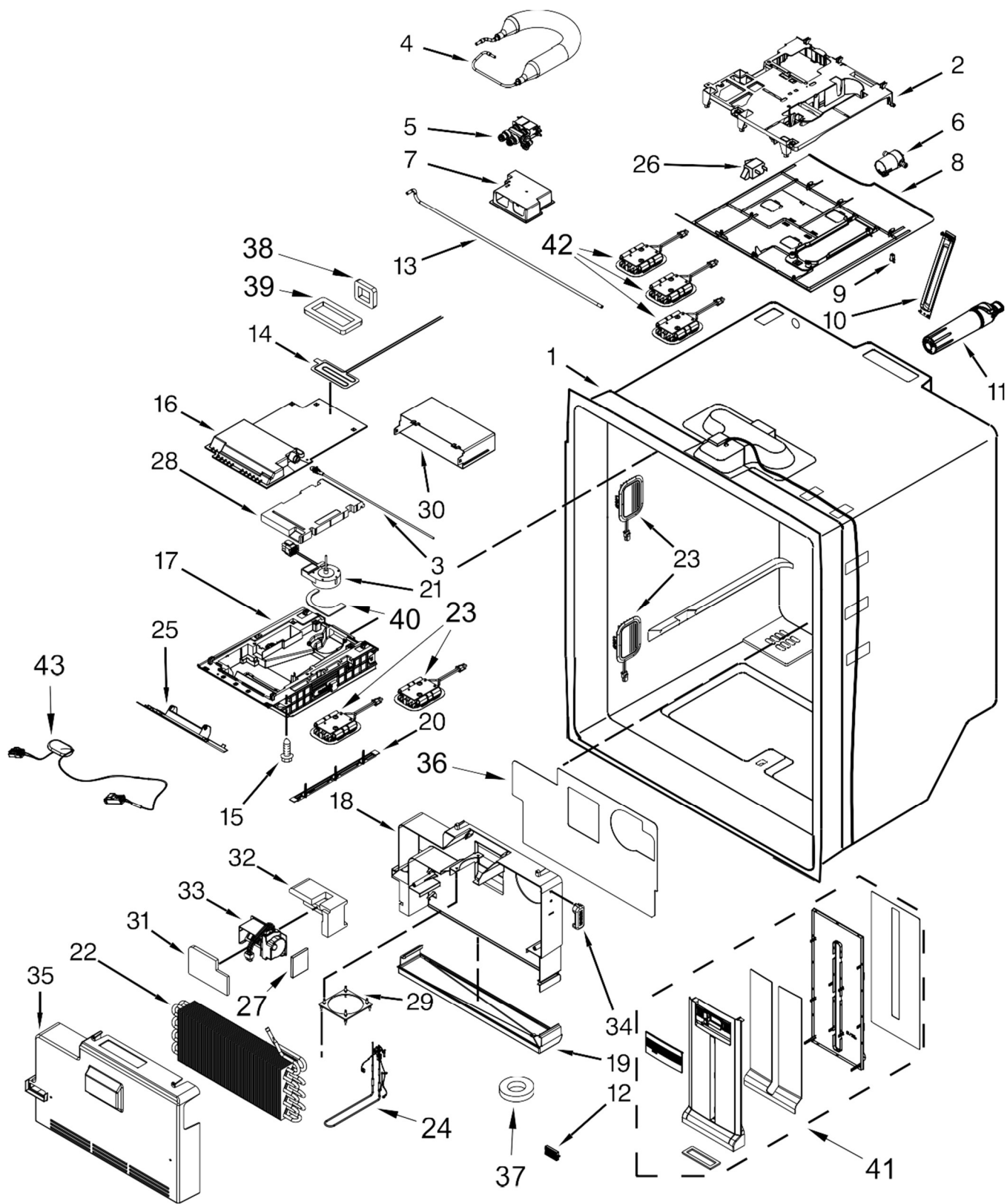
WRV976FDEM00 (Monochromatic Stainless Steel)



<u>Illus. No.</u>	<u>Part No.</u>	<u>Description</u>
1		Literature Parts Tech Sheet
	W10738568	English
	W10738569	French
	W10730915	Owners Manual
	W10811659	Energy Guide
2	W10624574	Supply, Power
3	W10734554	Block, Pivot
4	W10505487	Gasket
5	W10675033	Board, Control
6	W10415341	Gasket, HV Box
7		Plug, Button
	A3076901	Black
8	W10141622	Brake, Roller
9	12992602	Screw
10		Hinge, Top
	W10691543	Left Hand
	W10691546	Right Hand
11	W10403212	Screw

<u>Illus. No.</u>	<u>Part No.</u>	<u>Description</u>
12		Cover, Top Hinge Left Hand
	W10725013	Grey Right Hand
	W10709866	Grey
13	W10277839	Lid, HV
14	W10308751	Screw (Black)
15		Hinge, Center (Right)
	W10691701	Grey
16	W10336736	Cover, Roller
17		Cover, Corner
	12587703AP	Grey
18	W10394076	Valve, Water
19		Assembly, Roller
	W10515763	Left Hand
	W10515762	Right Hand
20	12991302	Screw
21	12990701	Screw
22		Grille, Toe
	W10707958	Grey

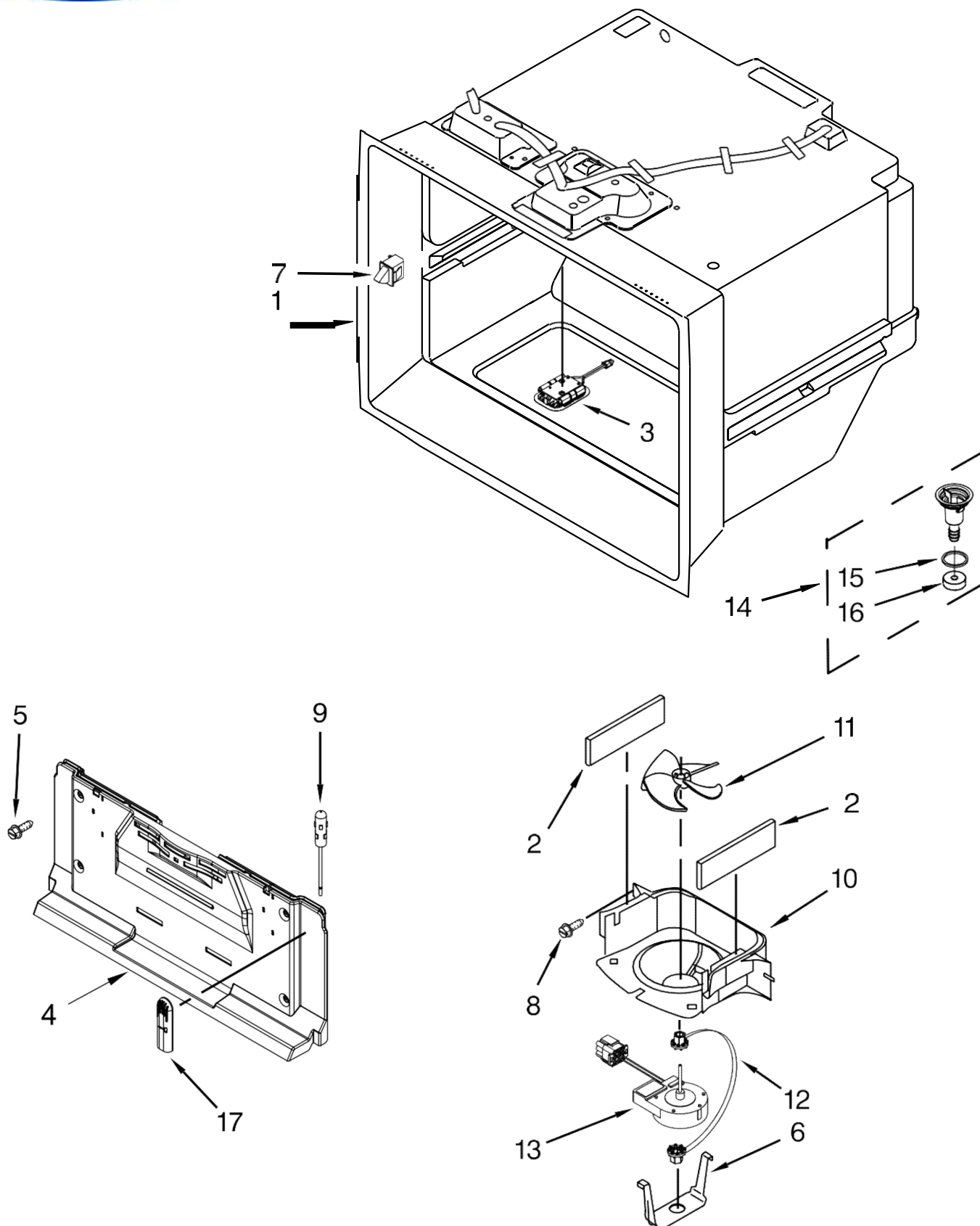
<u>Illus. No.</u>	<u>Part No.</u>	<u>Description</u>
23	12992601	Screw
24		Hinge, Center (Left)
	W10691675	Grey
25	W10141645	Screw
26	12990511	Screw
27	W10788814	Supply, LED Power
28	W10754591	Cover, Control Box
29	12466105	Switch, Light
30	W10577369	Cover, Unit
31	M0108107	Clamp, Tube
32	W10503562	Tube, Drain
33	W10678711	Tube, Water
34	W10705239	Retainer, Door
35		Cabinet (Not a Servicable Part)
36	549193	Clamp, Power Cord
37	W10141645	Screw
38	12990302	Screw



<u>Illus. No.</u>	<u>Part No.</u>	<u>Description</u>
1		Liner (Not A Serviceable Part)
2	W10705147	Housing, Water System
3	W10736144	Tube, Fill
4	W10711460	Reservoir, Water (Also Order Wire Tie Part 8567668)
5	W10341329	Valve, Dual Water
6	W10238156	Housing, Water Filter
7	W10279854	Enclosure, Valve
8	W10669663	Cover, Waterbox
9	2223877	Latch, Push
10	W10277949	Door, Filter Access
11	W10680605	Filter, Water
12	W10315189	Filter, Air
13	W10674102	Waterline, Valve To Hinge
14	W10760808	Heater, Fill Tube
15	12990518	Screw
16	W10598013	Cover, Icebox

<u>Illus. No.</u>	<u>Part No.</u>	<u>Description</u>
17	W10739299	Assembly, Icebox (Foamed)
18	W10503486	Enclosure, Evaporator
19	W10525237	Pan, Drain
20	W10505516	Trim, Icebox
21	W10460280	Fan, Icebox
22	W10630535	Assembly, Evaporator
23	W10660728	Assembly, LED Light Module
24	W10727641	Assembly, Refrigerator Evaporator Wire (Includes Evaporator Fan Motor)
25	W10682576	Assembly, Icebox Fascia
26	C3680310V	Switch, Light
27	W10470981	Gasket, Damper
28	W10280983	Insulation
29	W10389152	Support, Fan
30	W10635022	Adapter, Icebox
31	W10503491	Retainer, Damper
32	W10503492	Support, Damper

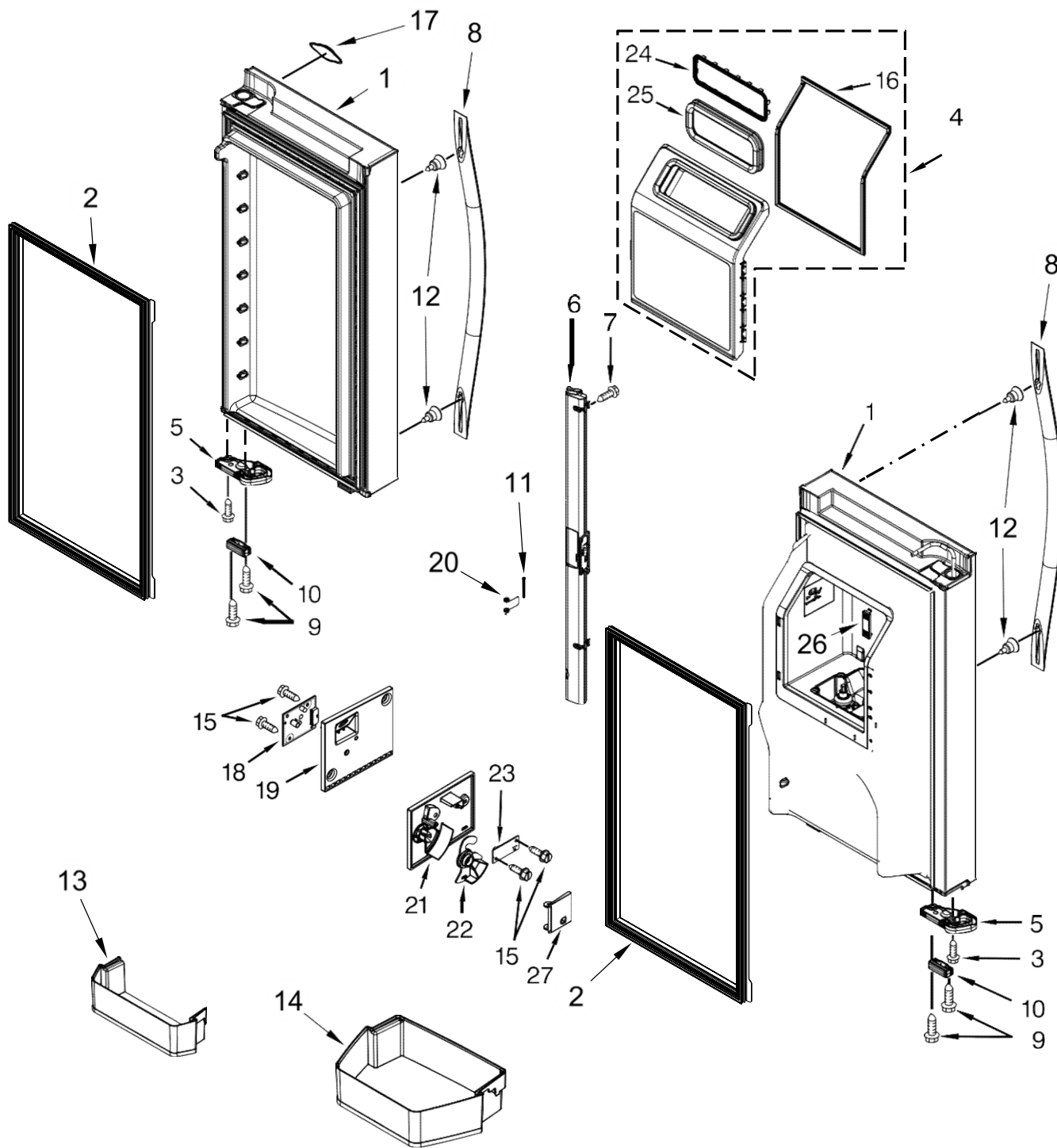
<u>Illus. No.</u>	<u>Part No.</u>	<u>Description</u>
33	W10248595	Damper, Electronic Control
34	W10438957	Cover, Thermistor
35	W10503500	Cover, Evaporator
36	W10465948	Gasket, Evaporator Enclosure
37	W10510863	Gasket, Drain Tube
38	W10320706	Gasket, Rear Return
39	W10280988	Gasket, Rear Supply
40	W10392172	Gasket, Fan
41	W10749500	Assembly, Air Tower
42	W10610289	Harness, LED Wire (Includes LED lights)
43	W10673048	Jumper, Fascia Heater
		Following Parts Not Illustrated
	W10672154	Assembly, Dual Valve Box



<u>Illus.</u> <u>No.</u>	<u>Part No.</u>	<u>Description</u>
1		Liner (Not A Serviceable Part)
2	A3189392	Gasket, Foam
3	W10660728	Assembly, LED Light Module
4	W10736933	Assembly, Evaporator Cover (Freezer)
5	488163	Screw
6	12956601	Clip, Fan Motor
7	C3680310V	Switch, Light

<u>Illus.</u> <u>No.</u>	<u>Part No.</u>	<u>Description</u>
8	12990504	Screw
9	W10280385	Thermistor
10	W10363507	Shroud, Evaporator Fan
11	12986101	Blade, Fan
12	12951101	Grommet, Fan Motor
13	W10701003	Motor, Evaporator (Includes Harness Thermistor, and Defrost Thermostat)

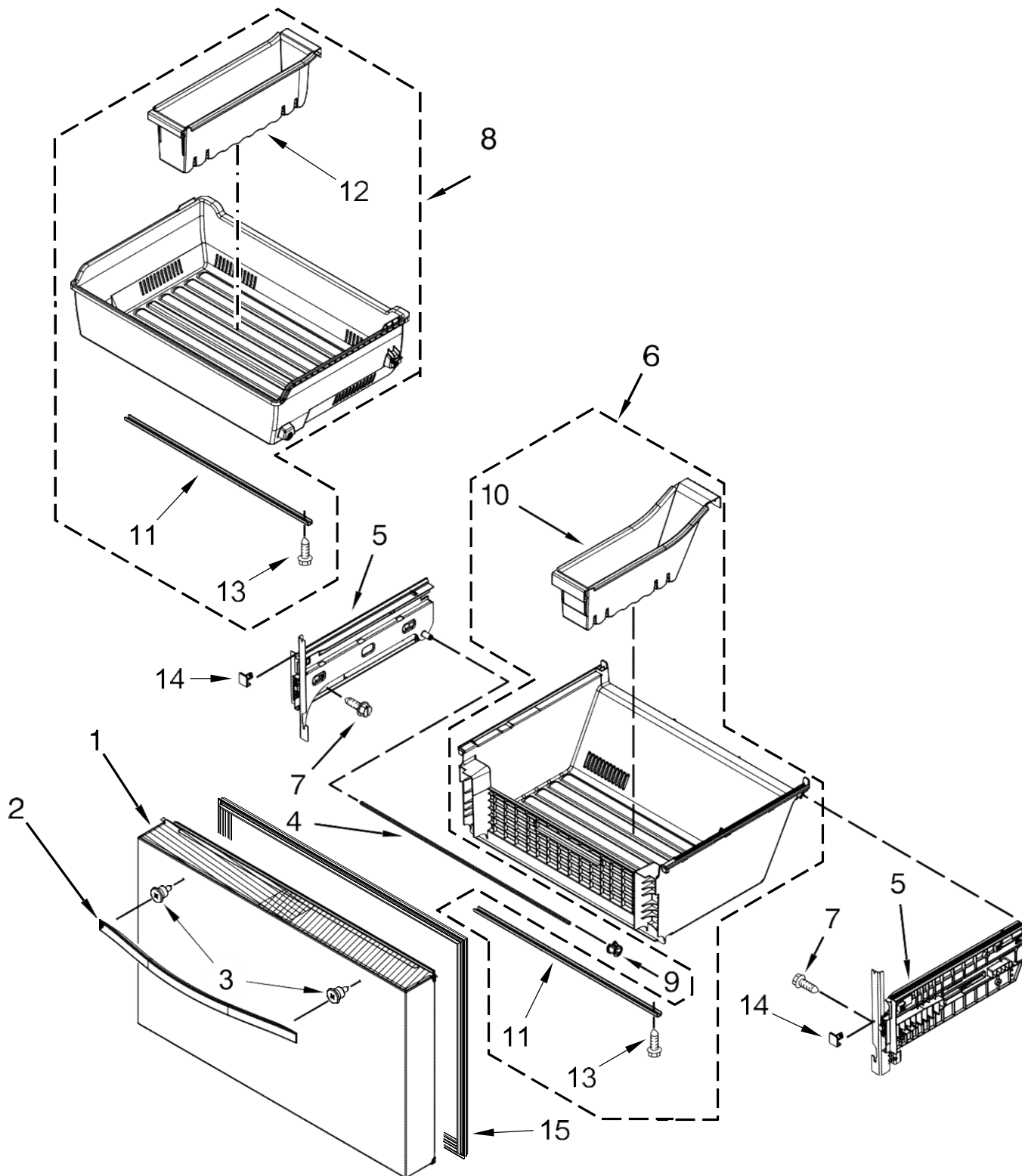
<u>Illus.</u> <u>No.</u>	<u>Part No.</u>	<u>Description</u>
14	W10503218	Assembly, Drain Funnel
15	M0500703	Seal
16	B8381501	Gasket, Drain
17	W10698555	Cover, Thermistor



<u>Illus. No.</u>	<u>Part No.</u>	<u>Description</u>
1		Door, Refrigerator (Includes Item 2) Left Hand W10634615 Stainless Right Hand W10634620 Stainless
2		Gasket, Door W10686118 Grey
3	W10464016	Screw
4	W10549589	Door, Ice
5		Latch, Door Closer W10712952 Left Hand W10712953 Right Hand

<u>Illus. No.</u>	<u>Part No.</u>	<u>Description</u>
6		Mullion, Door W10733652 Grey
7	12990204	Screw
8		Handle, Door W10686482 Stainless
9	12990504	Screw
10		Bumper, Door W10407188 Grey
11	2198634	Pin, Door
12	W10460893	Screw
13	W10728185	Trivet, 2 Liter
14	W10728194	Bin, Gallon
15	489214	Screw
16	W10347085	Gasket, Ice Door

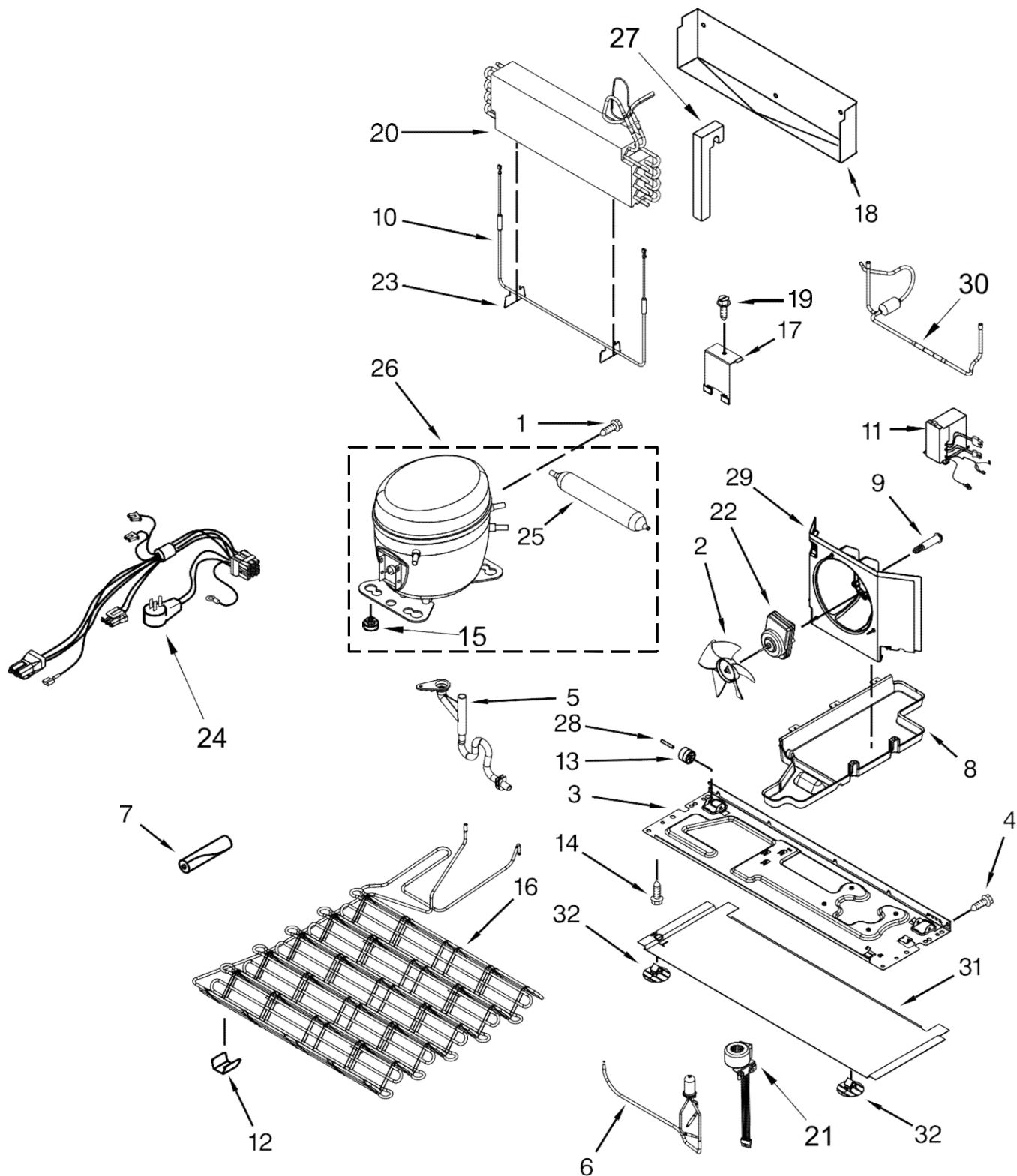
<u>Illus. No.</u>	<u>Part No.</u>	<u>Description</u>
17		Badge W10393265 Grey
18	W10518658	Board, Receiver Circuit
19	W10258510	Cover, Receiver
20	2198635	Spring, Door
21	W10258502	Cover, Emitter
22	W10258540	Slide, Icemaker Shut Off
23	W10518659	Board, Emitter Circuit
24	W10400825	Retainer, Ice Chute
25	W10347087	Gasket, Ice Chute
26	W10646855	Vent, Thermistor
27	W10258520	Door, Emitter



<u>Illus.</u> <u>No.</u>	<u>Part No.</u>	<u>Description</u>
1		Door, Freezer (Includes Item 15)
	W10634627	Stainless
2		Handle, Door
	W10686482	Stainless
3	W10460893	Screw
4	W10503522	Shaft

<u>Illus.</u> <u>No.</u>	<u>Part No.</u>	<u>Description</u>
5		Assembly, Bracket
	W10625067	Left Hand
	W10625068	Right Hand
6	W10680631	Bin, Lower
7	12990518	Screw
8	W10704090	Bin, Upper
9	W10709748	Clip, Shaft
10	W10507444	Divider, Lower

<u>Illus.</u> <u>No.</u>	<u>Part No.</u>	<u>Description</u>
11	W10469177	Support, Pan
12	W10485654	Divider, Upper
13	489443	Screw (Stainless)
14		Stop, Pan
	W10485096	Left Hand
	W10485089	Right Hand
15		Gasket, Door
	W10248749	Grey



Illus.

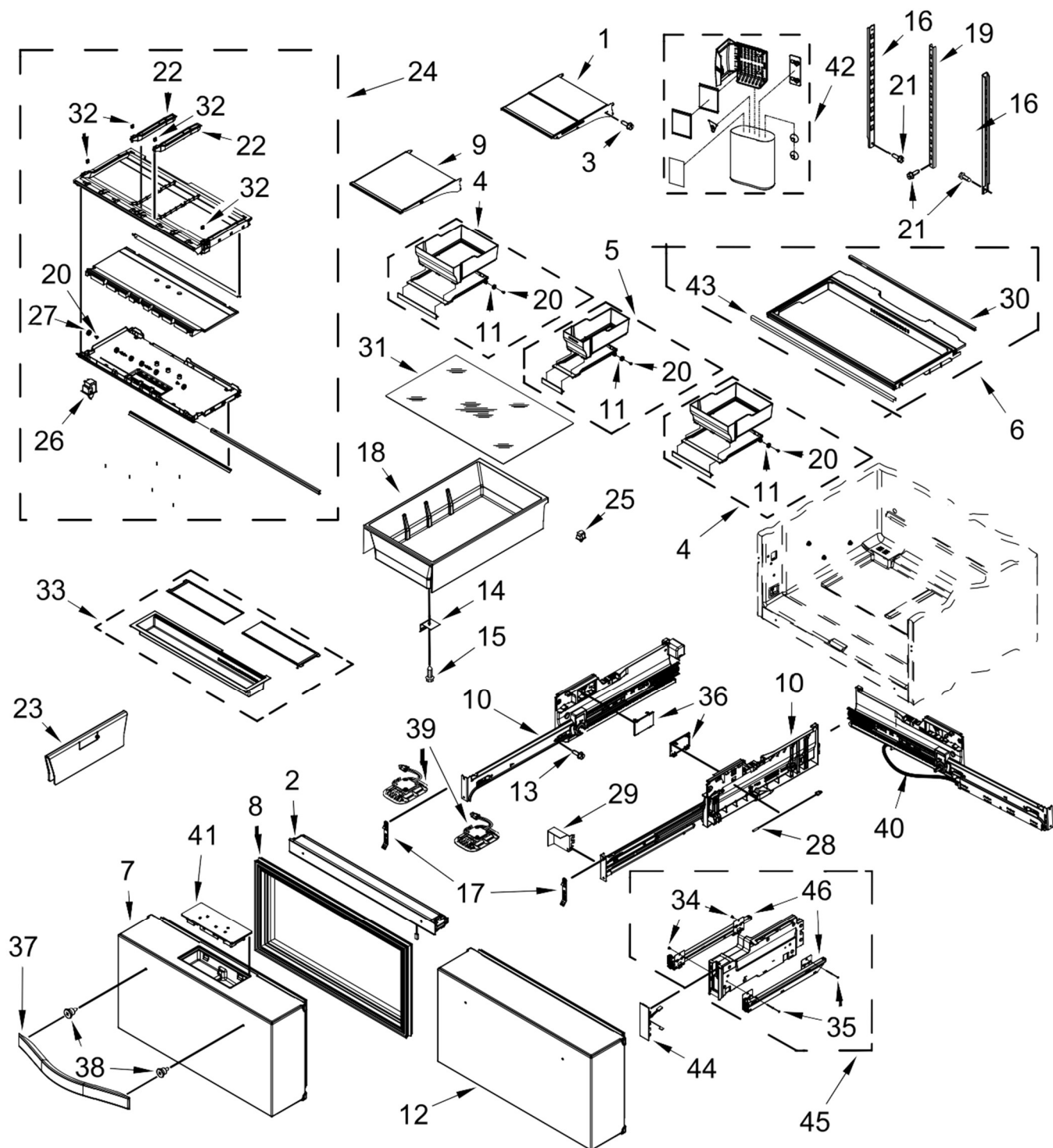
<u>No.</u>	<u>Part No.</u>	<u>Description</u>
1	W10141625	Screw
2	2188935	Blade, Fan
3	W10603296	Baseplate
4	12990511	Screw
5	W10776916	Extension, Drain
6	W10696498	Assembly, Valve Body
7	W10303521	Sleeve
8	W10660727	Tray, Evaporator
9	W10622701	Screw
10	12729128	Heater, Defrost
11	W10710090	Assembly, Inverter Box
12	W10248621	Clip, Condenser
13	12477102	Roller

Illus.

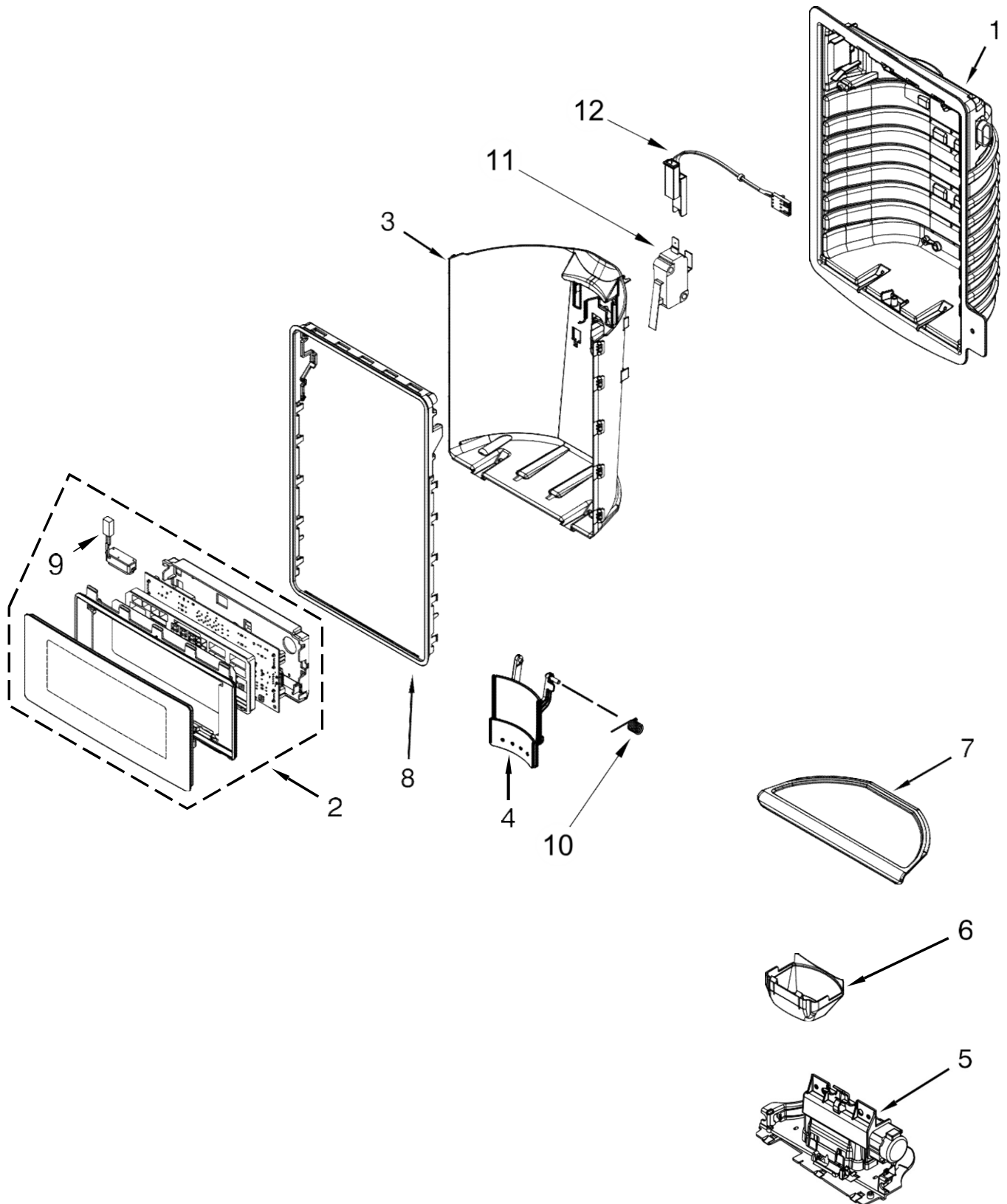
<u>No.</u>	<u>Part No.</u>	<u>Description</u>
14	12992101	Screw
15	2183042	Grommet
16	W10758093	Condenser
17	W10391376	Bracket, Valve
18	W10342573	Tray, Drip
19	W10142255	Screw
20	W10248589	Evaporator
21	W10709318	Coil, 3 Way Valve
22	W10527155	Motor, Condenser Fan
23	10428101	Clip, Heater
24	W10672162	Assembly, Unit Wire
25	W10286069	Drier
26	W10695094	Compressor

Illus.

<u>No.</u>	<u>Part No.</u>	<u>Description</u>
27	W10491355	Gasket, Airdam
28	12477202	Axle, Roller
29	W10406719	Shroud
30	W10626970	Assembly, Suction Tube
31	W10278140	Cover, Condenser (Bottom)
32	W10296661	Clip, Bottom Cover
		REFRIGERANT CHARGE 6.00 oz. (R-134A)



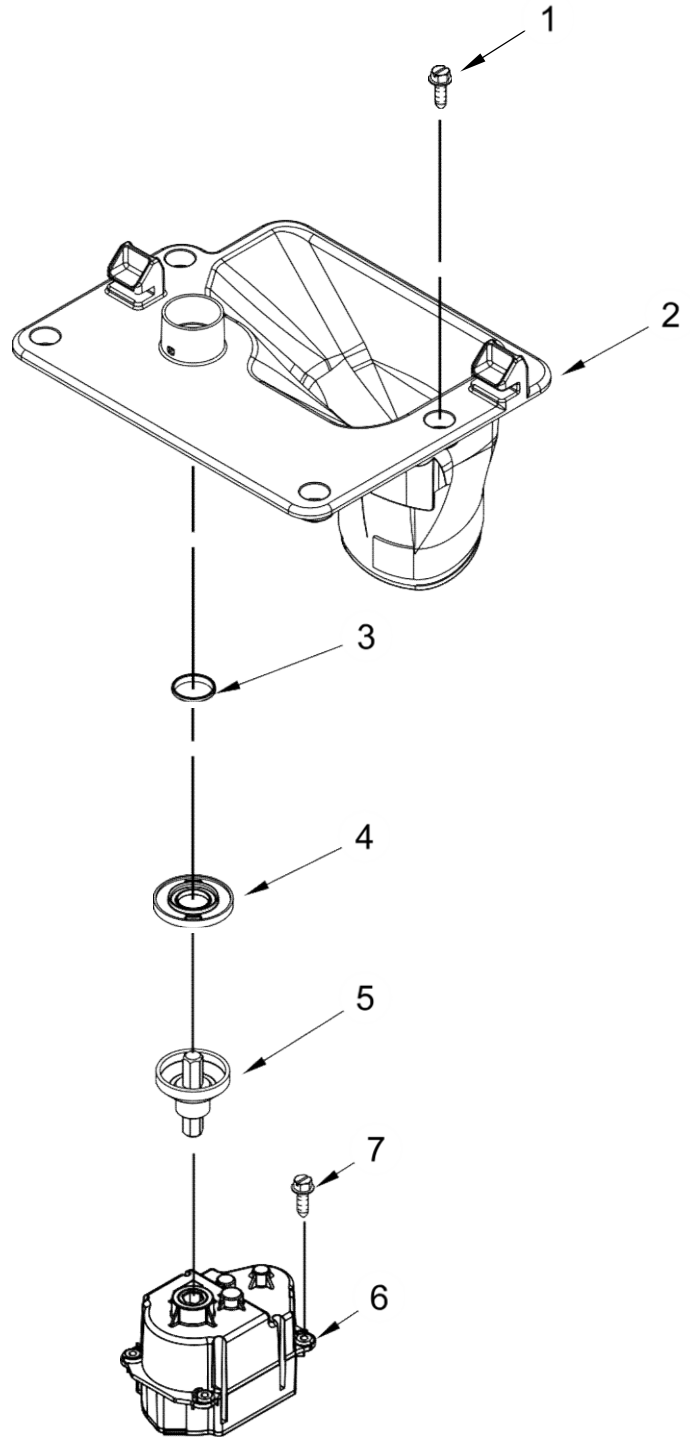
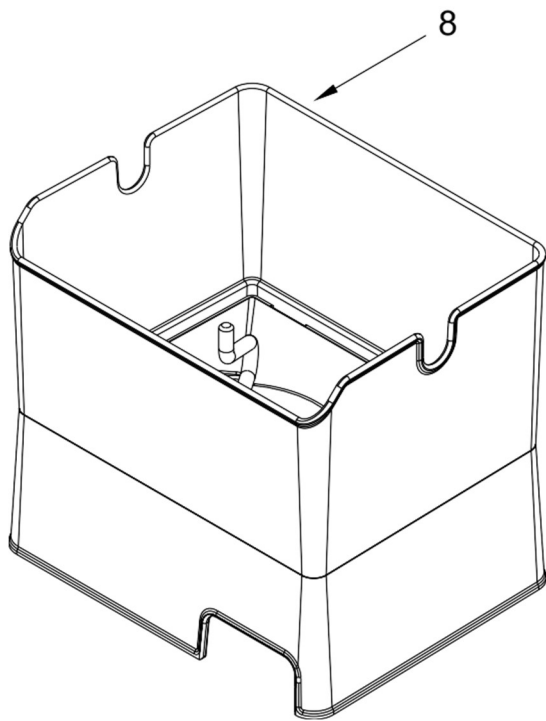
<u>Illus. No.</u>	<u>Part No.</u>	<u>Description</u>	<u>Illus. No.</u>	<u>Part No.</u>	<u>Description</u>	<u>Illus. No.</u>	<u>Part No.</u>	<u>Description</u>
1	W10709175	Assembly, Tuck Shelf	13	98006631	Screw	35	W10737605	Screw
2		Assembly, Secondary Mullion	14	W10704335	Clip, Drawer Body	36	W10518036	Cover, Side Adapter
	W10730996	Grey	15	W10664603	Screw	37		Handle, Door
3	W10421495	Screw	16	W10467460	Ladder, Side		W10696995	Stainless
4	W10509272	Crisper, Medium	17	W10732765	Clip, Glide Door	38	W10460893	Screw
5	W10509275	Crisper, Small	18	W10730609	Drawer, Pantry	39	W10660728	Assembly, LED Light Module
6	W10493545	Cover, Crisper	19	W10467461	Ladder, Center	40	W10512203	Harness, Side Adapter
7		Door, Pantry (Includes Item 8)	20	12991401	Screw	41		Interface, User
		Left Hand	21	W10666373	Screw		W10677119	Stainless
	W10733259	Stainless	22	W10638123	Guide, Crisper	42	W10593207	Assembly, Produce Preserver
8		Gasket, Pantry	23	W10709891	Divider, Pantry Pan	43	W10530297	Support, Crisper Front
	W10685868	Grey	24	W10716818	Assembly, Floor (Includes Heater)	44		Assembly, Mullion Cover
9	W10709163	Assembly, Shelf	25	C3680310V	Switch, Light		W10733546	Grey
10		Adapter, Pantry	26	12466104	Switch, Rocker	45	W10738093	Assembly, Pantry Center Adapter
	W10718058	Left Hand	27	W10788795	Roller	46		Glide, Compact (Also Order Items 34 and 35)
	W10718057	Right Hand	28	W10549991	Thermistor		W10735384	Left Hand
11	W10530295	Roller	29	W10711645	Cover, Connector		W10735385	Right Hand
12		Door, Pantry (Includes Items 8 and 17)	30	W10493547	Support, Crisper Rear			
		Right Hand	31	W10493549	Glass, Crisper			
	W10738900	Stainless	32	127029	Pad, Glide			
			33	W10634634	Assembly, Secondary Mullion Bin			
			34	W10737730	Nut, Rivet			



<u>Illus.</u> <u>No.</u>	<u>Part No.</u>	<u>Description</u>
1		Housing, Dispenser (Not Serviced)
2		Assembly, User Interface
	W10677104	Black
3		Wall, Dispenser False
	W10663632	Shadow Gray

<u>Illus.</u> <u>No.</u>	<u>Part No.</u>	<u>Description</u>
4		Assembly, Pad
	W10673702	Black
5	W10663687	Assembly, Separator
6	W10435760	Guide, Ice
7		Tray, Drip
	W10679589	Shadow Gray

<u>Illus.</u> <u>No.</u>	<u>Part No.</u>	<u>Description</u>
8		Ring, Trim
	W10663633	Chrome
9	W10470750	Assembly, LED
10	W10663682	Spring, Torsion
11	W10403752	Switch, Limit
12	W10712476	Assembly, Switch Jumper Wire





REFRIGERADOR WRV976FDEM00

Illus.

No. Part No. Description

- 1 W10272364 Screw
- 2 W10710619 Plate, Ice Chute
- 3 2198628 Seal

Illus.

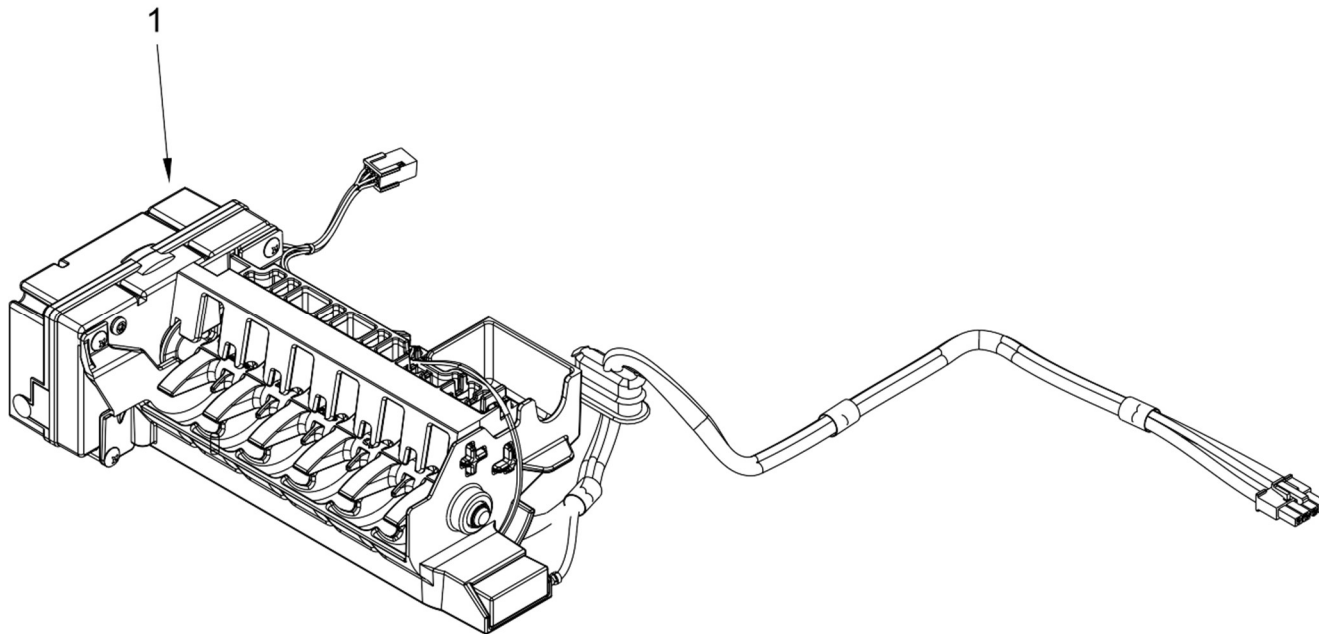
No. Part No. Description

- 4 W10347120 Clip, Retainer
- 5 W10347114 Shaft, Motor
- 6 W10215646 Motor, Dispenser

Illus.

No. Part No. Description

- 7 8281163 Screw (Stainless)
- 8 W10347093 Assembly, Ice Container



Illus.
No. **Part No.** **Description**

1 W10764668 Assembly, Icemaker
Following Parts Not
Illustrated
8003RP Kit, Water Inlet

OPTIONAL PARTS

PAINT, TOUCH-UP (1/2OZ.)

<u>Illus.</u> <u>No.</u>	<u>Part No.</u>	<u>Description</u>
	72017	White
	72032	Black
	511873	White Porcelain (2 oz.)
	4392899	Biscuit/Bisque

PAINT, PRESSURIZED SPRAY (12 OZ.)

<u>Illus.</u> <u>No.</u>	<u>Part No.</u>	<u>Description</u>
	350930	White
	350939	Enamel, Black
	285006	Black
	350942	White Primer
	4392901	Biscuit/Bisque

PAINT, BULK (1 QT.)

<u>Illus.</u> <u>No.</u>	<u>Part No.</u>	<u>Description</u>
	799344	White (Uncut)

MISCELLANEOUS

<u>Illus.</u> <u>No.</u>	<u>Part No.</u>	<u>Description</u>
	212643	Sealer, Gum (4 Feet)
	479502	Tape, Vinyl (3/4 x 108")
	876370	Insulation (2 Pieces, 3" x 24" x 48")
	876305	Insulation Kit (14 Pieces, 3" x 24" x 48")
	978941	Insulation, Fiberglass (63 1/2" x 35 1/2" x 2 5/8")
	876029	Kit, Foam Slab (30" x 32 1/2" x 1 1/2")
	505587	Sealer, Mastic (1 Qt)
	503695	Cork, Sealer
	20000008	Cleaner, Stainless Steel
	542638	Grease, Silicone (1/2 Oz.)
	542639	Cement, Alumilastic (1 1/4 Oz.)
	833938	Kit, Terminal Connector
	8003RP	Kit, Water Inlet

TORX SCREW WRENCH

<u>Illus.</u> <u>No.</u>	<u>Part No.</u>	<u>Description</u>
	1117510	Torx Key