

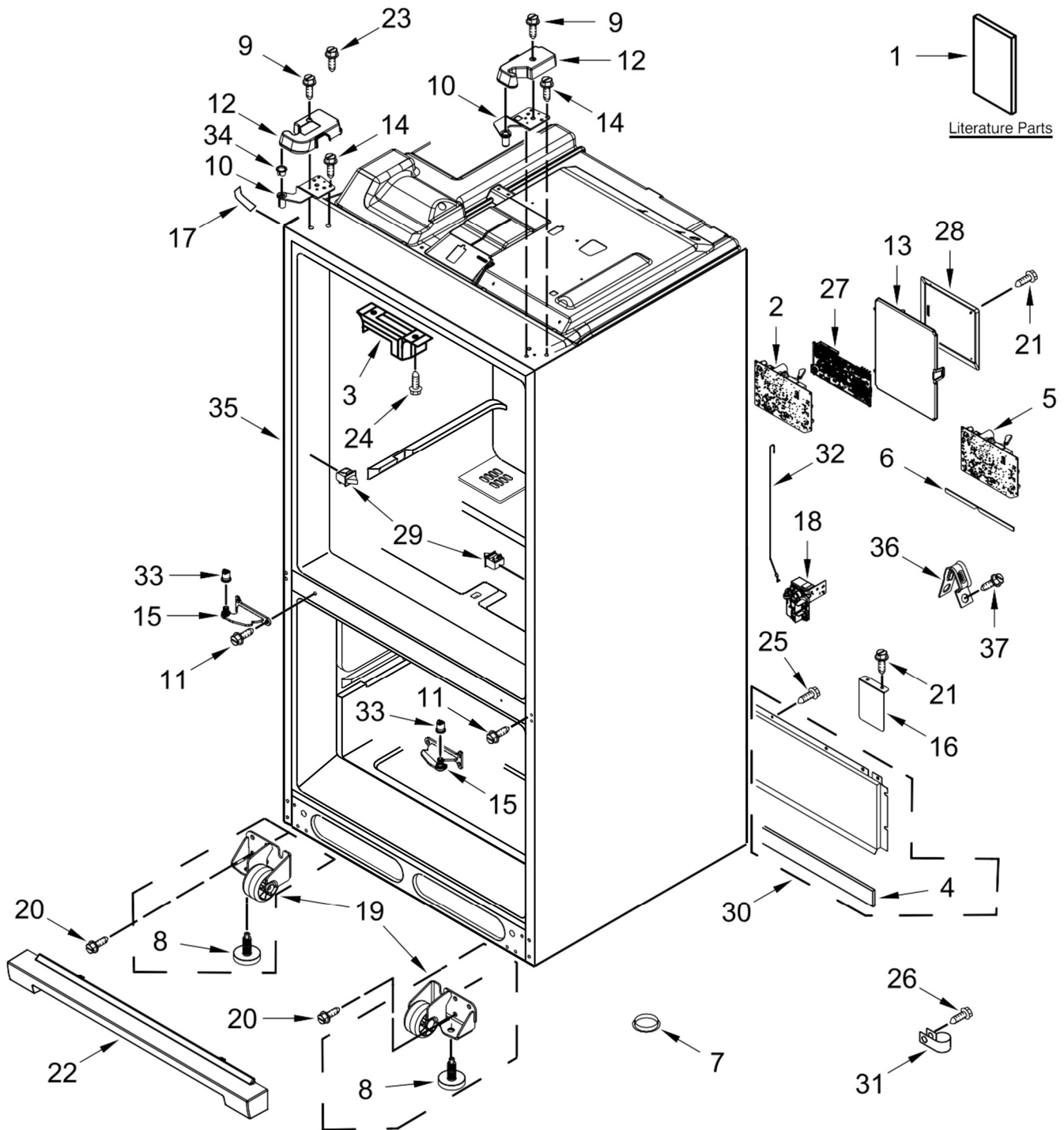


FOUR DOOR FRENCH DOOR REFRIGERATOR

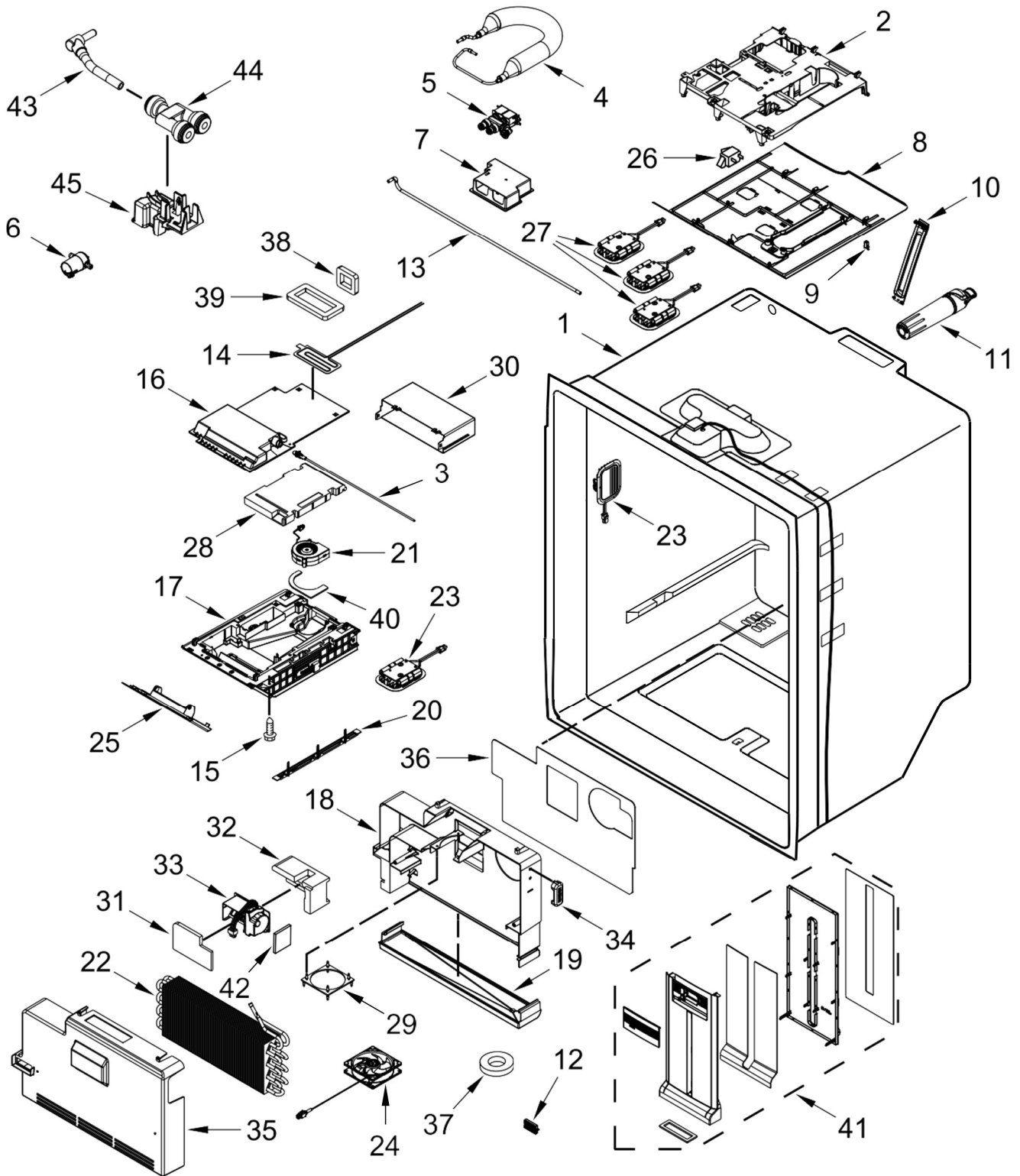
MODELS:

WRX986SIHV00 (Black Stainless)

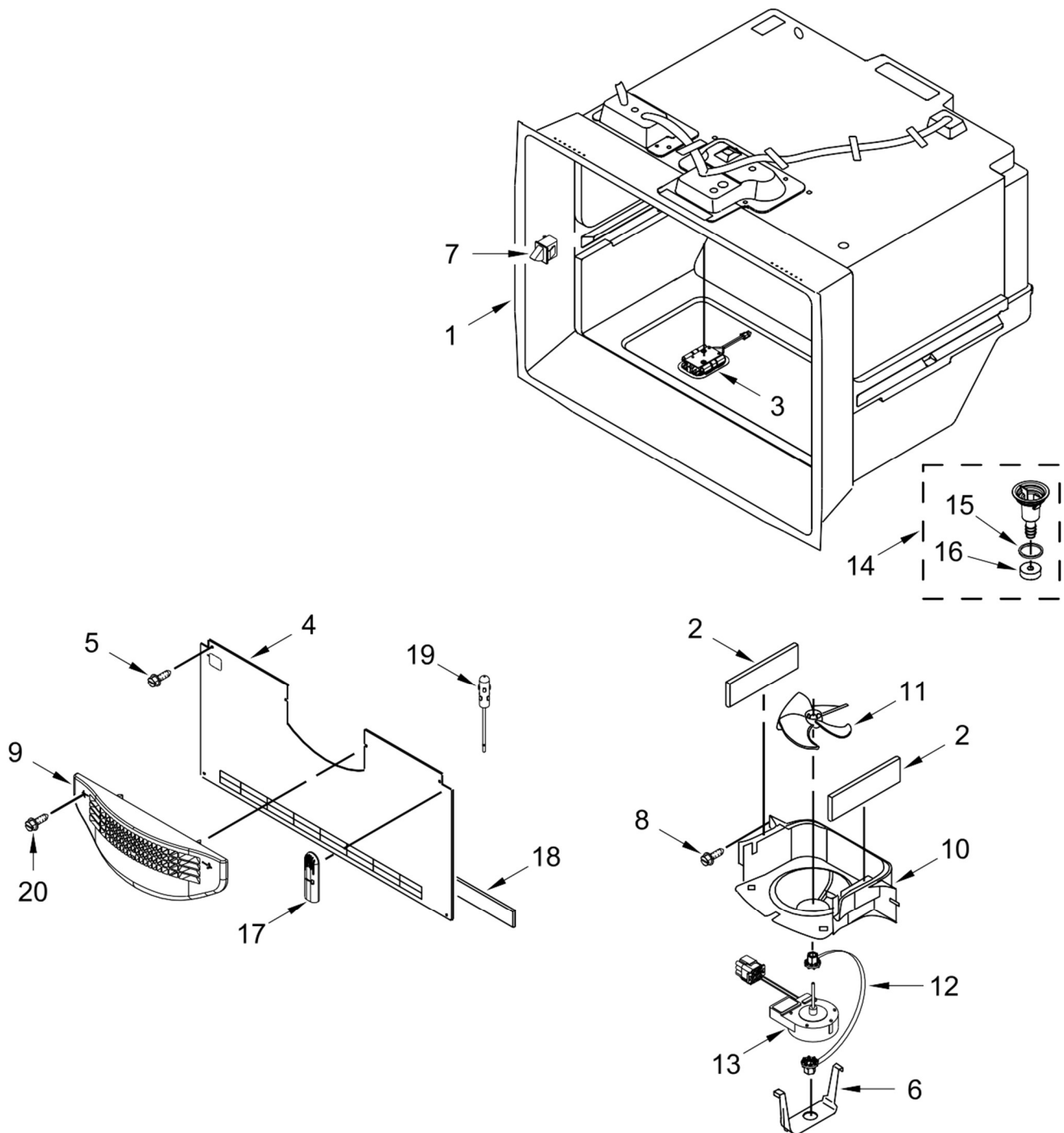
WRX986SIHZ00 (St



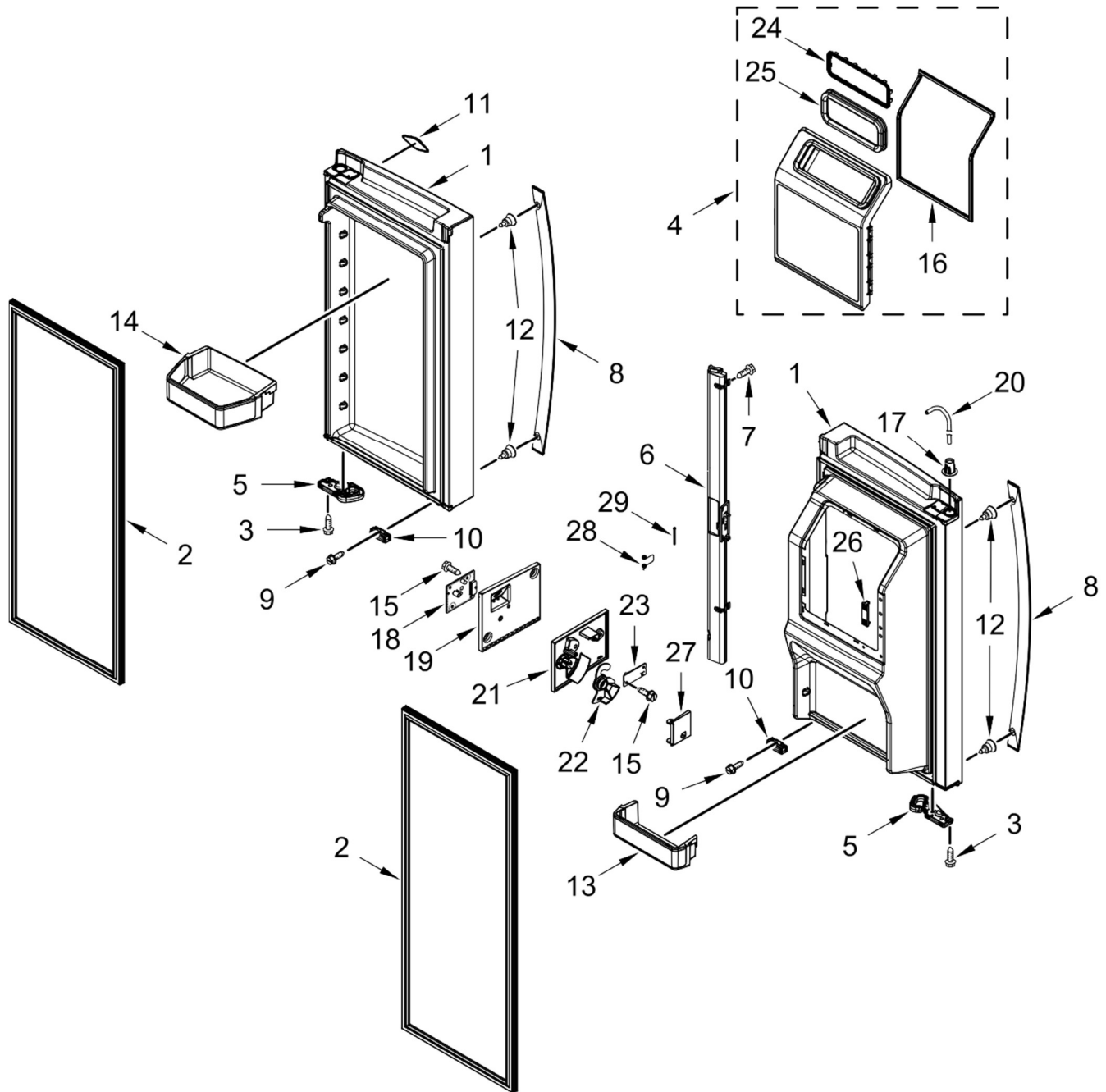
<u>Illus. No.</u>	<u>Part No.</u>	<u>Description</u>	<u>Illus. No.</u>	<u>Part No.</u>	<u>Description</u>	<u>Illus. No.</u>	<u>Part No.</u>	<u>Description</u>
1		Literature Parts	12		Cover, Top Hinge	20	W10709365	Screw
		Tech Sheet			Left Hand	21	12990702	Screw
	W10844086	English			(Includes Foil)	22		Grille, Toe
	W10844087	French	W10471617	Black		W10637669	Black	
	W10859967	Use and Care Guide	W10471618	Grey		W10637671	Grey	
	W11113341	Energy Guide		Right Hand	23	12992601	Screw	
2	W10665178	Supply, Power	W10407157	Black	24	12990302	Screw	
3	W10344432	Block, Pivot	W10407158	Grey	25	W10141645	Screw	
4	W10505487	Gasket	13	W10277839	Lid, HV	26	12990511	Screw
5	W10811364	Board, Control	14	W10731474	Screw	27	W10790783	Supply, LED Power
6	W10415341	Gasket, HV Box	15		Hinge, Center	28	W10754591	Cover, Control Box
7	A3076901	Plug, Button			Left Hand	29	12466105	Switch, Light
8	W10141622	Brake, Roller	W10248705	Black	30	W10577369	Cover, Unit	
9	12992602	Screw	W10248706	Grey	31	M0108107	Clamp, Tube	
10		Hinge, Top		Right Hand	32	W10678711	Tube, Water	
	W10248410	Left Hand	W10248702	Black	33	W10505294	Coupler, Door	
	W10248409	Right Hand	W10248703	Grey	34	W10212137	Retainer, Door	
11	W10673842	Screw (Black)	16	W10336736	Cover, Roller	35		Cabinet (Not a Servicable Part)
	W10673840	Screw (Stainless)	17		Cover, Corner	36	549193	Clamp, Power Cord
				12587703AP	Grey	37	W10141645	Screw
			18	W10394076	Valve, Water			
			19		Assembly, Roller			
				W10515763	Left Hand			
				W10515762	Right Hand			



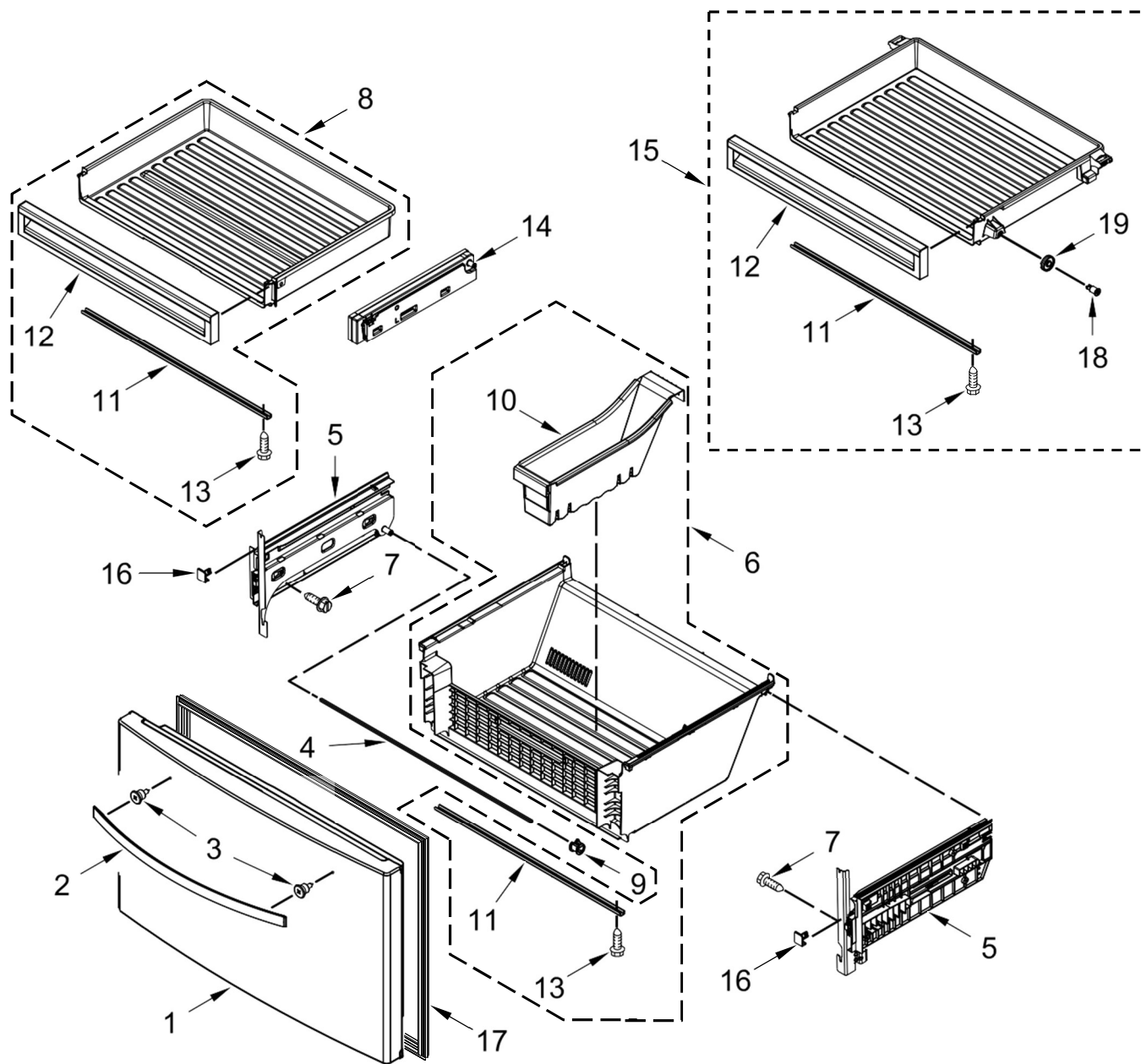
<u>Illus. No.</u>	<u>Part No.</u>	<u>Description</u>	<u>Illus. No.</u>	<u>Part No.</u>	<u>Description</u>	<u>Illus. No.</u>	<u>Part No.</u>	<u>Description</u>
1		Liner (Not A Serviceable Part)	18	W10503486	Enclosure, Evaporator	36	W10465948	Gasket, Evaporator Enclosure
2	W10826118	Housing, Water System	19	W10525237	Pan, Drain	37	W10510863	Gasket, Drain Tube
3	W10736144	Tube, Fill	20	W10505516	Trim, Icebox	38	W10320706	Gasket, Rear Return
4	W10711460	Reservoir, Water (Also Order Wire Tie Part 8567668)	21	W10833801	Fan, Icebox	39	W10280988	Gasket, Rear Supply
5	W10341329	Valve, Dual Water	22	W11035765	Assembly, Evaporator	40	W10392172	Gasket, Fan
6	W10238156	Housing, Water Filter	23	W10843353	Assembly, LED Light Module	41	W11130608	Assembly, Air Tower
7	W10811115	Enclosure, Water Valve	24	W10799016	Motor, Evaporator Fan (Includes Wire Harness)	42	W10470981	Gasket, Damper
8	W10669663	Cover, Waterbox	25	W10553630	Assembly, Fascia (Includes Heater)	43	W10723352	Waterline
9	2223877	Latch, Push	26	C3680310V	Switch, Light	44	W10722983	Connector, Water Tube
10	W10277949	Door, Filter Access	27	W10843846	Harness, LED Wire (Includes LED lights)	45	W10713934	Bracket, Connector
11	W10680605	Filter, Water	28	W10280983	Insulation			FOLLOWING PARTS NOT ILLUSTRATED
12	W10315189	Filter, Air	29	W10389152	Support, Fan	W10570599		Harness, Dual Valve
13	W10674102	Waterline, Valve To Hinge	30	W10635022	Adapter, Icebox	W10762407		Harness, Refrigerator Lights
14	W10706850	Heater, Fill Tube	31	W10503491	Retainer, Damper			
15	12990518	Screw	32	W10503492	Support, Damper			
16	W10598013	Cover, Icebox	33	W10248595	Damper, Electronic Control			
17	W10811686	Assembly, Icebox (Foamed)	34	W10438957	Cover, Thermistor			
			35	W10503500	Cover, Evaporator			



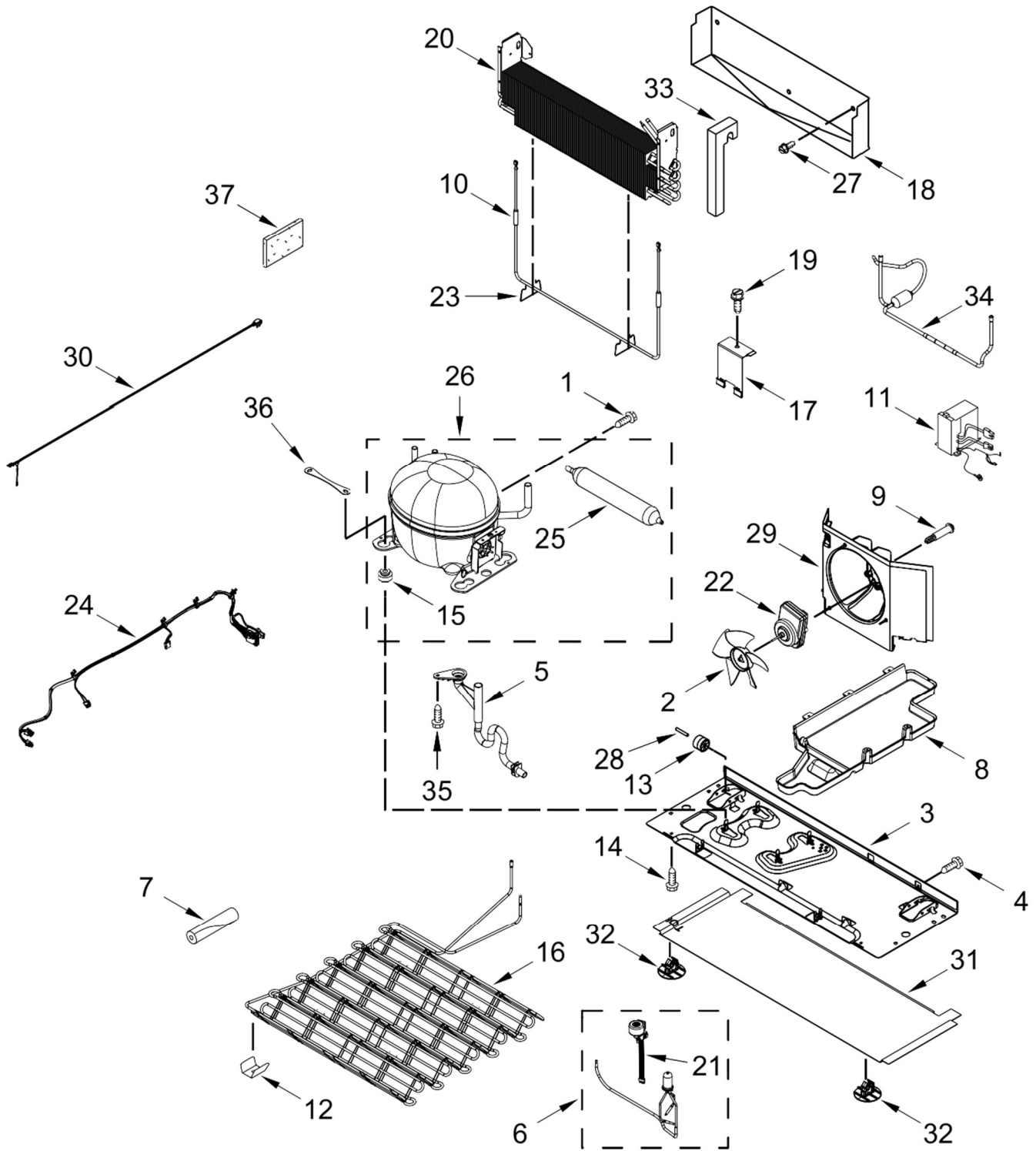
<u>Illus.</u> <u>No.</u>	<u>Part No.</u>	<u>Description</u>	<u>Illus.</u> <u>No.</u>	<u>Part No.</u>	<u>Description</u>	<u>Illus.</u> <u>No.</u>	<u>Part No.</u>	<u>Description</u>
1		Liner (Not A Serviceable Part)	8	12990504	Screw	14	W10503218	Assembly, Drain Funnel
2	A3189392	Gasket, Foam	9	W10496613	Grille, Air (Freezer)	15	M0500703	Seal
3	W10843353	Assembly, LED Light Module	10	W10363507	Shroud, Evaporator Fan	16	B8381501	Gasket, Drain
4	W10513424	Cover, Evaporator	11	12986101	Blade, Fan	17	W10405166	Cover, Thermistor
5	12990511	Screw	12	12951101	Grommet, Fan Motor	18	W10531268	Gasket, Dual Evaporator
6	12956601	Clip, Fan Motor	13	W10728094	Motor, Evaporator (Includes Harness, Thermistor, and Defrost Thermostat)	19	W10280385	Thermistor
7	C3680310V	Switch, Light				20	8281136	Screw



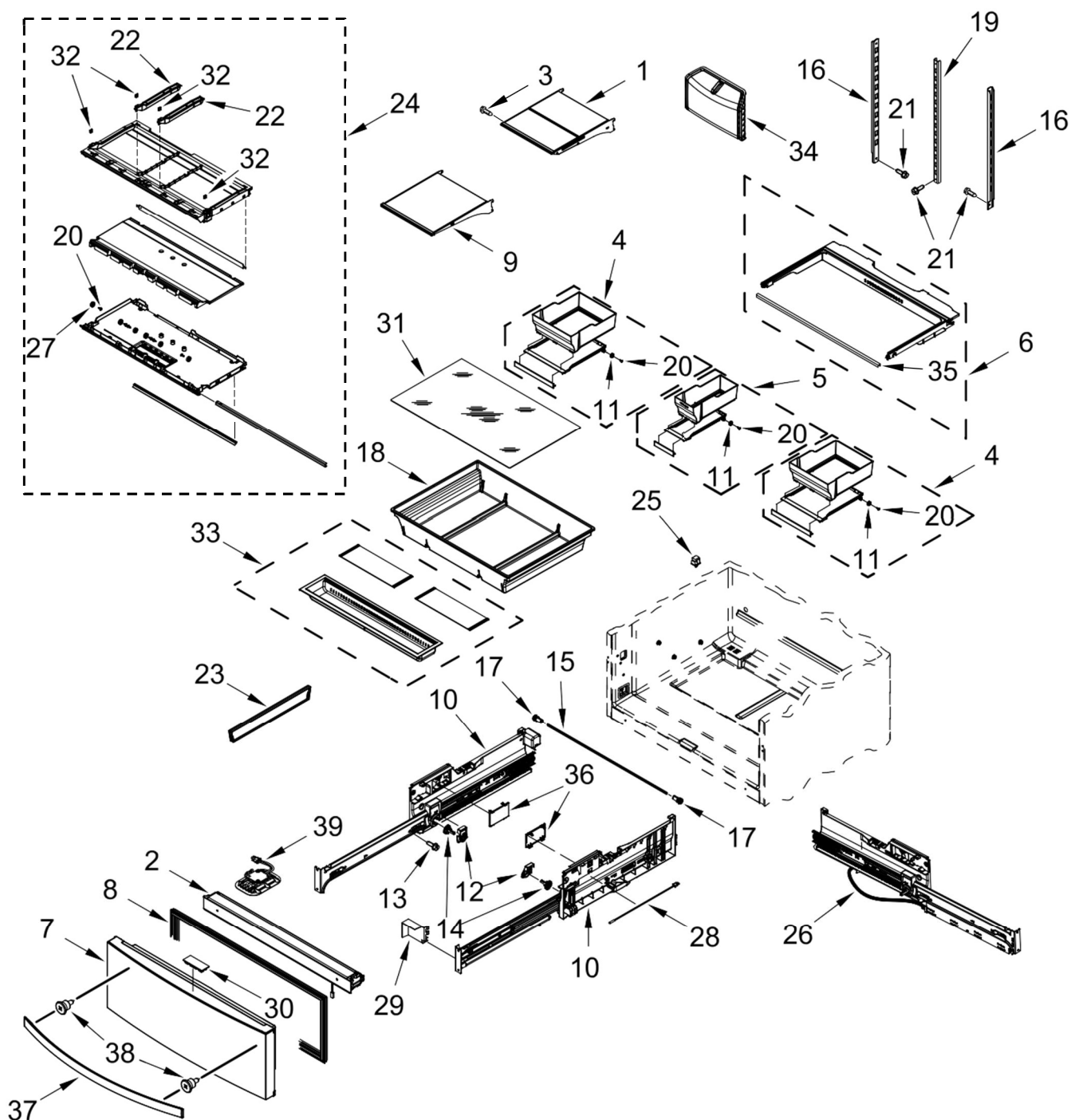
<u>Illus. No.</u>	<u>Part No.</u>	<u>Description</u>	<u>Illus. No.</u>	<u>Part No.</u>	<u>Description</u>	<u>Illus. No.</u>	<u>Part No.</u>	<u>Description</u>
1		Door, Refrigerator	6		Mullion, Door	17	W10245516	Clip, Tube
		Left Hand		W10698203	Black	18	W10518658	Board, Receiver Circuit
		(Includes Door Gasket)		W10698204	Grey	19	W10258510	Cover, Receiver
	W11024125	Black Stainless	7	12990204	Screw	20	W10499015	Tube, Water
	W10847618	Stainless	8		Handle, Door	21	W10258502	Cover, Emitter
		Right Hand		W10918272	Black Stainless	22	W10258540	Slide, Icemaker Shut Off
	W11024122	Black Stainless		W11115757	Stainless	23	W10832970	Board, Emitter Circuit
	W10847614	Stainless	9	12990504	Screw	24	W10400825	Retainer, Ice Chute
2		Gasket, Door	10		Bumper, Door	25	W10347087	Gasket, Ice Chute
	W10873942	Black		W10407187	Black	26	W10646855	Vent, Thermistor
	W10873941	Grey		W10407188	Grey	27	W10258520	Door, Emitter
3	W10238319	Screw	11	W10884773	Badge	28	2198635	Spring, Door
4	W10549589	Door, Ice	12	W10460893	Screw	29	2198634	Pin, Door
5		Latch, Door	13	W10533404	Trivet, 2 Liter			
	W10712952	Left Hand	14	W10674770	Bucket, Gallon			
	W10712953	Right Hand	15	489214	Screw			
			16	W10347085	Gasket, Ice Compartment Door			



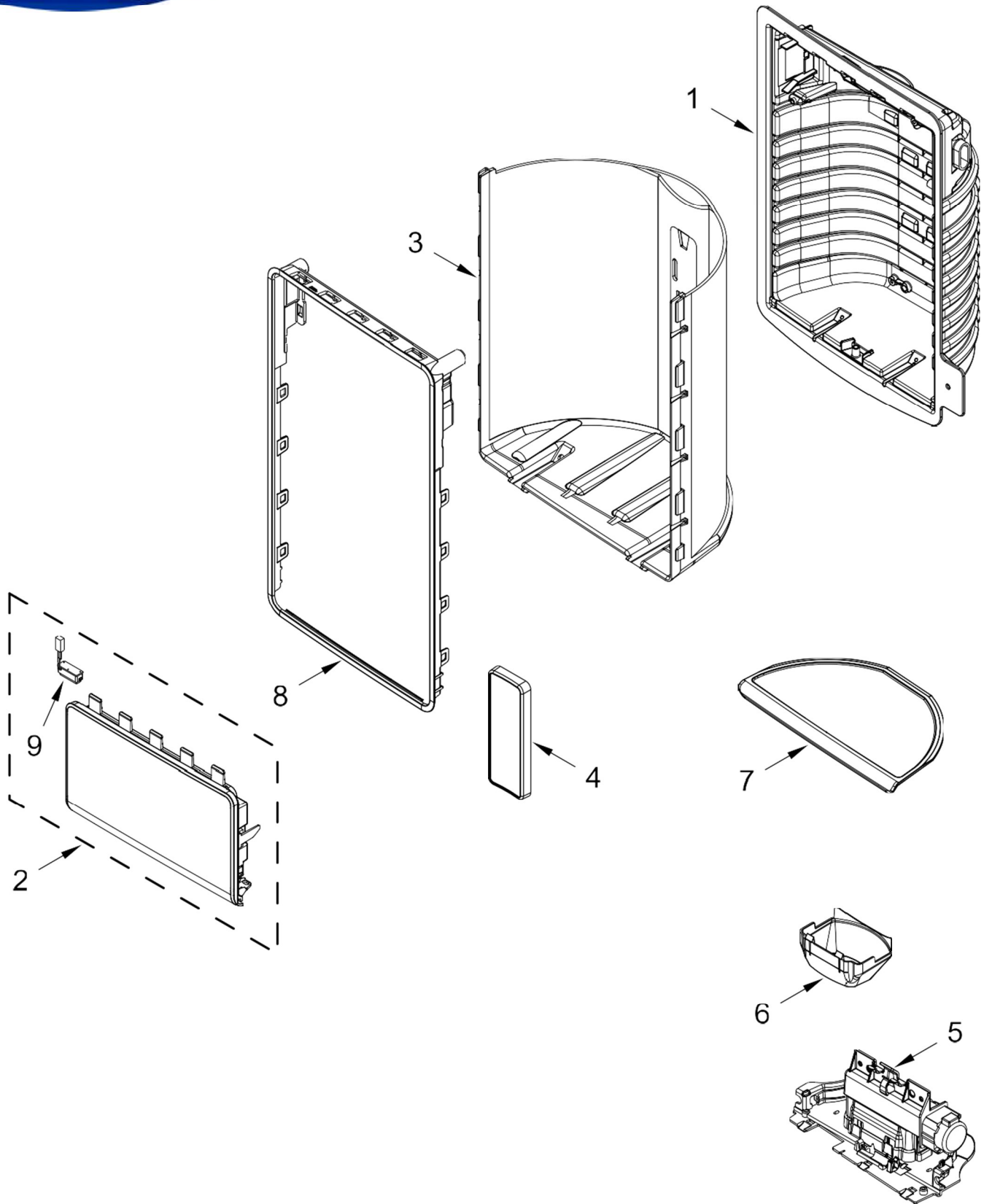
<u>Illus.</u> <u>No.</u>	<u>Part No.</u>	<u>Description</u>	<u>Illus.</u> <u>No.</u>	<u>Part No.</u>	<u>Description</u>	<u>Illus.</u> <u>No.</u>	<u>Part No.</u>	<u>Description</u>
1		Door, Freezer (Includes Door Gasket)	6	W10650427	Bin, Lower	16		Stop, Pan
	W11024129	Black Stainless	7	12990518	Screw		W10485096	Left Hand
	W10847609	Stainless	8	W10493169	Bin, Upper		W10485089	Right Hand
2		Handle, Door	9	W10709748	Clip, Shaft	17		Gasket, Door
	W11101977	Black Stainless	10	W10507444	Divider, Lower		W10248748	Black
	W11115761	Stainless	11	W10469177	Support, Pan		W10248749	Grey
3	W10460893	Screw	12	W10488124	Front, Freezer Pan	18	W10643690	Axle, Roller
4	W10503522	Shaft	13	489443	Screw (Stainless)	19	W10248555	Roller, Pan
5		Assembly, Bracket	14		Adapter, Upper Pan			
	W10795770	Left Hand		W10619219	Left Hand			
	W10795768	Right Hand		W10619218	Right Hand			
			15	W10704091	Assembly, Center Pan			



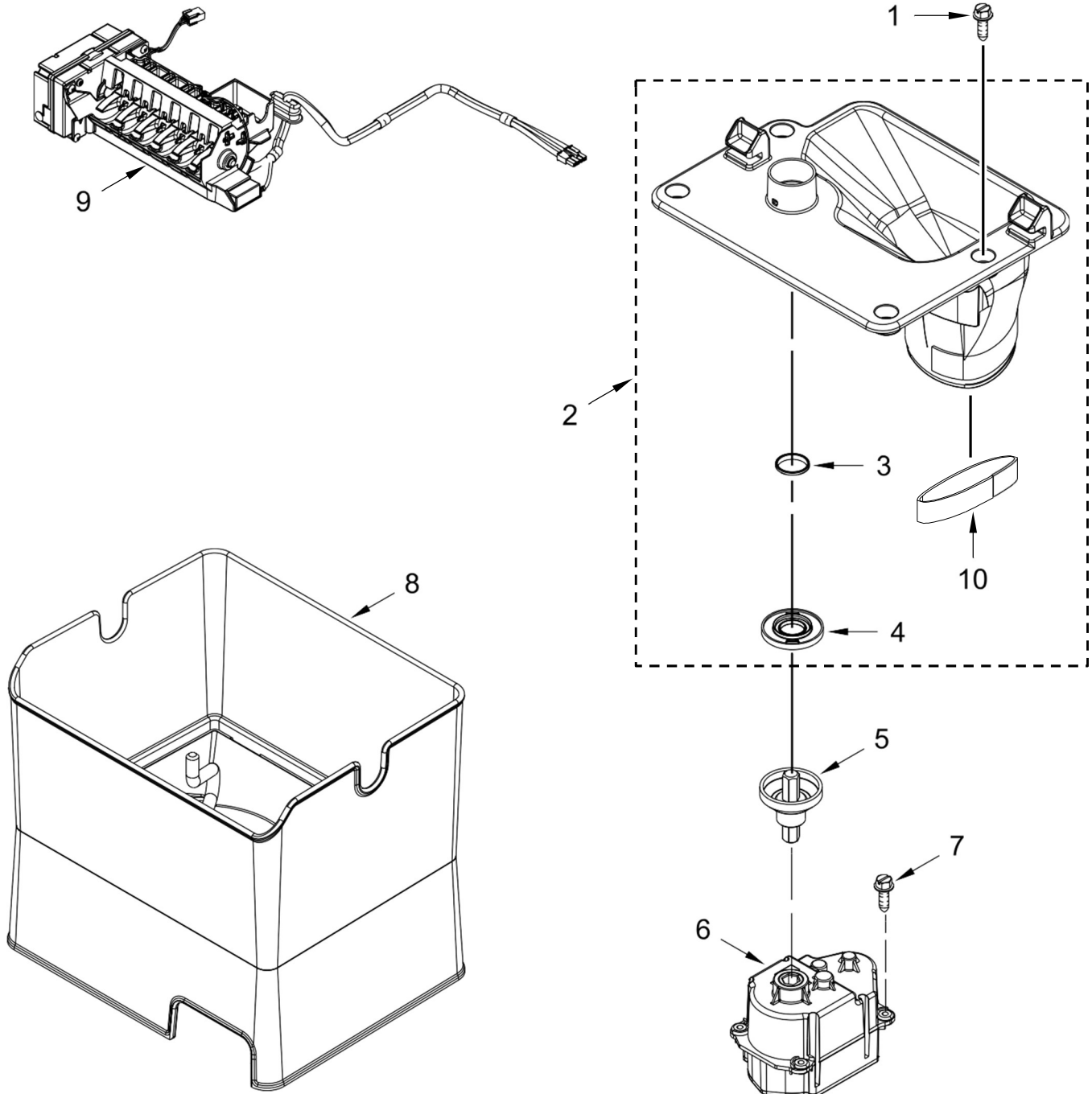
<u>Illus.</u> <u>No.</u>	<u>Part No.</u>	<u>Description</u>	<u>Illus.</u> <u>No.</u>	<u>Part No.</u>	<u>Description</u>	<u>Illus.</u> <u>No.</u>	<u>Part No.</u>	<u>Description</u>
1	W10141625	Screw	19	W10141645	Screw	36	W10236396	Strap, Compressor
2	2188935	Blade, Fan	20	W10248589	Assembly, Evaporator	37	2169104	Sealer, Insulation
3	W10570074	Baseplate	21	W10709318	Coil, 3 Way Valve			FOLLOWING PARTS NOT ILLUSTRATED
4	12990511	Screw	22	W10909387	Motor, Condenser Fan			
5	W10776916	Extension, Drain	23	10428101	Clip, Heater	978025		Valve, Access (1/4")
6	W10709322	Assembly, 3 Way Valve Coil	24	W10746598	Harness, Unit	978026		Valve, Access (5/16")
7	W10303521	Sleeve	25	W10286069	Drier	978027		Valve, Access (3/8")
8	W10660727	Tray, Evaporator	26	W10756020	Compressor	978029		Valve, Access (5/8")
9	W10622701	Screw	27	W10142294	Screw	978030		Valve, Access (3/4")
10	12729128	Heater, Defrost	28	12477202	Axle, Roller	876764		Valve, Access (3/16")
11	W10710090	Assembly, Inverter Box	29	W10406719	Shroud			REFRIGERANT CHARGE
12	W10248621	Clip, Condenser	30	W10630315	Cord, Power			5.50 oz. (R-134A)
13	12477102	Roller	31	W10278140	Cover, Condenser (Bottom)			
14	12992101	Screw	32	W10815861	Clip, Bottom Cover			
15	10835903	Grommet	33	W10491355	Gasket, Airdam			
16	W10627646	Assembly, Condenser	34	W10626970	Assembly, Suction Tube			
17	W10391376	Bracket, Valve	35	W10141518	Screw			
18	W10342573	Tray, Drip						



<u>Illus. No.</u>	<u>Part No.</u>	<u>Description</u>	<u>Illus. No.</u>	<u>Part No.</u>	<u>Description</u>	<u>Illus. No.</u>	<u>Part No.</u>	<u>Description</u>
1	W10709175	Assembly, Tuck Shelf	11	W10530295	Roller	28	W10549991	Thermistor
2	W10849105	Assembly, Secondary Mullion	12		Cover, Gear	29	W10518378	Cover, Connector
3	W10421495	Screw		W10284709	Left Hand	30		Assembly, User Interface
4	W10509272	Crisper, Medium		W10294414	Right Hand		W10599145	Black
5	W10509275	Crisper, Small	13	12991702	Screw		W10645656	Stainless
6	W11037029	Assembly, Crisper Cover	14	W10277360	Gear, Spur	31	W10893770	Glass, Crisper
7		Door, Pantry (Includes Door Gasket)	15	W10802341	Shaft, Rack	32	12702901	Pad, Glide
	W11024162	Black Stainless	16	W10372170	Ladder, Side	33	W10780178	Bin, Secondary Mullion
	W10847622	Stainless	17	W10277361	Collar, Gear	34	W10826105	Assembly, Produce Preserver
8		Gasket, Pantry	18	W10530656	Pan, Pantry	35	W10530297	Support, Crisper Front
	W10545600	Black	19	W10248516	Ladder, Center	36	W10518036	Cover, Side Adapter
	W10518365	Grey	20	12991401	Screw	37		Handle, Door
9	W10709163	Assembly, Shelf	21	W10423560	Screw		W11101977	Black Stainless
10		Adapter, Pantry	22	W10530296	Guide, Crisper		W11115761	Stainless
	W10667416	Left Hand	23	W10772797	Divider, Large Pantry	38	W10460893	Screw
	W10750817	Right Hand	24	W10782690	Assembly, Floor (Includes Heater)	39	W10843353	Assembly, LED Light Module
			25	W10656773	Switch, Light			
			26	W10512203	Harness, Side Adapter			
			27	W10530295	Roller			



<u>Illus.</u> <u>No.</u>	<u>Part No.</u>	<u>Description</u>	<u>Illus.</u> <u>No.</u>	<u>Part No.</u>	<u>Description</u>	<u>Illus.</u> <u>No.</u>	<u>Part No.</u>	<u>Description</u>
1		Housing, Dispenser (Not Serviced)	4		Assembly, Pad	8		Ring, Trim
				W10473007	Grey		W10402180	Chrome
2		Assembly, User Interface	5	W10577864	Assembly, Seperator	9	W10470750	Assembly, LED
	W11124259	Silver	6	W10435760	Guide, Ice			
3		Wall, Dispenser False	7		Tray, Drip			
	W10819058	Grey		W10819059	Grey			



Illus.
No. Part No. Description

1 W10272364 Screw
2 W10347051 Plate, Ice Chute
3 2198628 Seal
4 W10347120 Clip, Retainer
5 W10347114 Shaft, Motor

Illus.
No. Part No. Description

6 W10215646 Motor, Dispenser
7 8281163 Screw (Stainless)
8 W10347093 Assembly, Ice
 Container

Illus.
No. Part No. Description

9 W10746960 Assembly, Icemaker
10 W10291905 Gasket

OPTIONAL PARTS

PAINT, TOUCH-UP (1/2OZ.)

<u>Illus. No.</u>	<u>Part No.</u>	<u>Description</u>
	72017	White
	72032	Black
	511873	White Porcelain (2 oz.)
	4392899	Biscuit/Bisque

PAINT, PRESSURIZED SPRAY (12 OZ.)

<u>Illus. No.</u>	<u>Part No.</u>	<u>Description</u>
	350930	White
	350939	Enamel, Black
	285006	Black
	350942	White Primer
	4392901	Biscuit/Bisque

PAINT, BULK (1 QT.)

<u>Illus. No.</u>	<u>Part No.</u>	<u>Description</u>
	799344	White (Uncut)

MISCELLANEOUS

<u>Illus. No.</u>	<u>Part No.</u>	<u>Description</u>
	212643	Sealer, Gum (4 Feet)
	479502	Tape, Vinyl (3/4 x 108")
	876370	Insulation (2 Pieces, 3" x 24" x 48")
	876305	Insulation Kit (14 Pieces, 3" x 24" x 48")
	978941	Insulation, Fiberglass (63 1/2" x 35 1/2" x 2 5/8")
	876029	Kit, Foam Slab (30" x 32 1/2" x 1 1/2")
	505587	Sealer, Mastic (1 Qt)
	503695	Cork, Sealer
	20000008	Cleaner, Stainless Steel
	542638	Grease, Silicone (1/2 Oz.)
	542639	Cement, Alumilastic (1 1/4 Oz.)
	833938	Kit, Terminal Connector
	8003RP	Kit, Water Inlet
	F2WC911	Water Filter

TORX SCREW WRENCH

<u>Illus. No.</u>	<u>Part No.</u>	<u>Description</u>
	1117510	Torx Key