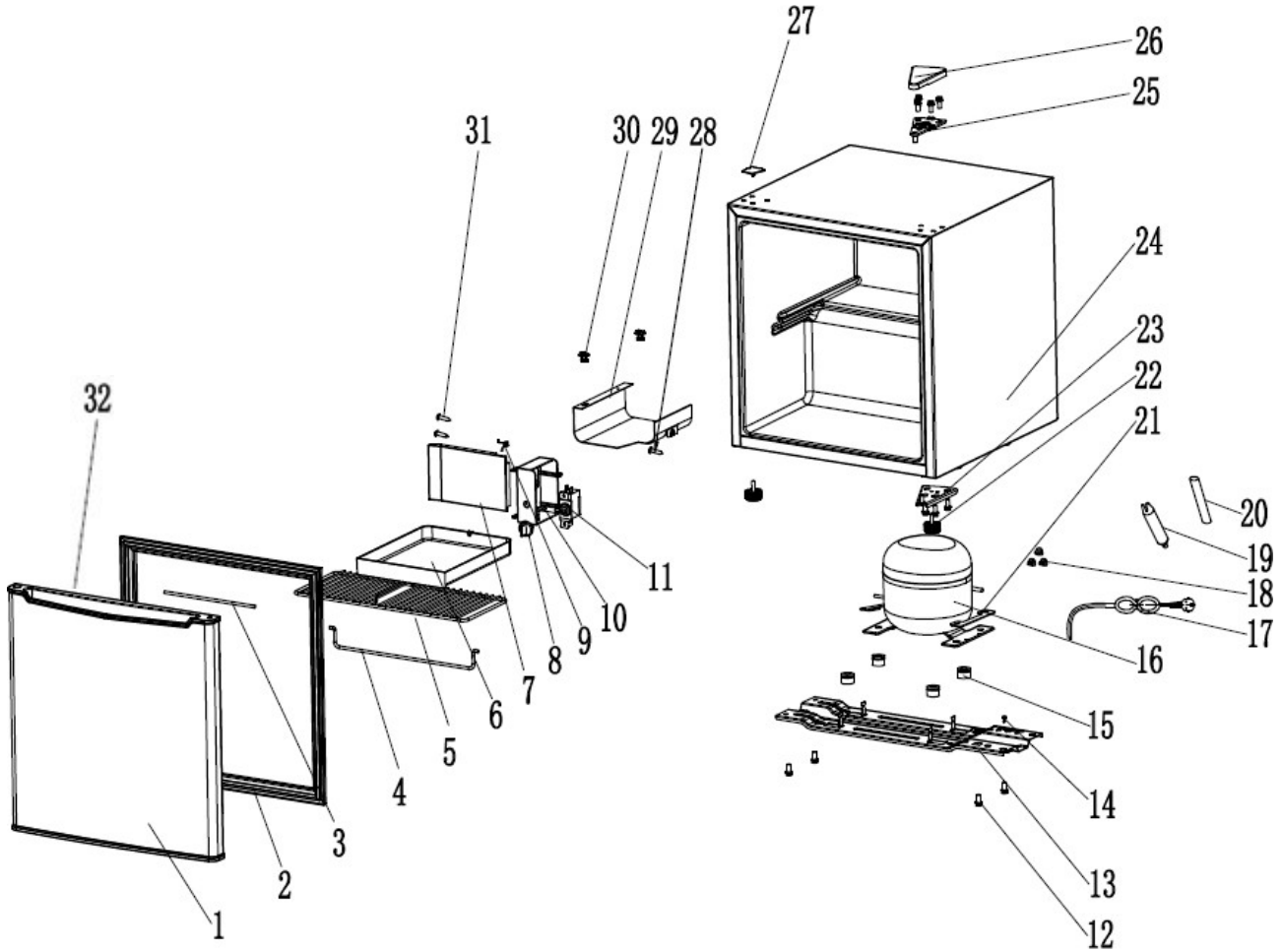


# EXPLOSIONADO DE PARTES

— SMURF —

MODELO | WS2105R



<b>No. Ilus.</b>	<b>DESCRIPCIÓN</b>	<b>Cant.</b>	<b>No. de Parte</b>
1	Door Foamed Assy	1	228010000199
2	Door Gasket	1	228010000221
3	Door Hurdle Strip	1	218010000224
4	Door Hurdle Strip	1	218010002602
5	Shelf	1	208010000121
6	Water Collection Plate	1	228010000133
7	Evaporator Baffle	*	<b><u>No Servicable</u></b>
8	Control Knob	*	<b><u>No Servicable</u></b>
9	Baffle's Spring	*	<b><u>No Servicable</u></b>
10	Switch Cover	1	228010000720
11	Thermostat	1	258010000028
12	Screw Bolt	*	<b><u>No Servicable</u></b>
13	Support Plate	*	<b><u>No Servicable</u></b>
14	Locknut	*	<b><u>No Servicable</u></b>
15	Rubber Ring	*	<b><u>No Servicable</u></b>
16	Compressor	*	<b><u>No Servicable</u></b>
17	Power Cable	1	258010001800
18	Terminal Cap	*	<b><u>No Servicable</u></b>
19	Dry Filter	*	<b><u>No Servicable</u></b>
20	Process Pipe	*	<b><u>No Servicable</u></b>
21	Compressor Cover	*	<b><u>No Servicable</u></b>
22	Adjustable Leg	2	228010002823
23	Bottom Hinge	1	208010000354
24	Foamed Cabinet	*	<b><u>No Servicable</u></b>
25	Top Hinge	1	208010001676
26	Top Hinge Cover	1	228010002554
27	Cover Plate	*	<b><u>No Servicable</u></b>
28	Screw	*	<b><u>No Servicable</u></b>
29	Evaporator	*	<b><u>No Servicable</u></b>
30	Evaporator Holder	*	<b><u>No Servicable</u></b>
31	Screw	*	<b><u>No Servicable</u></b>
32	Handle	1	228010002688