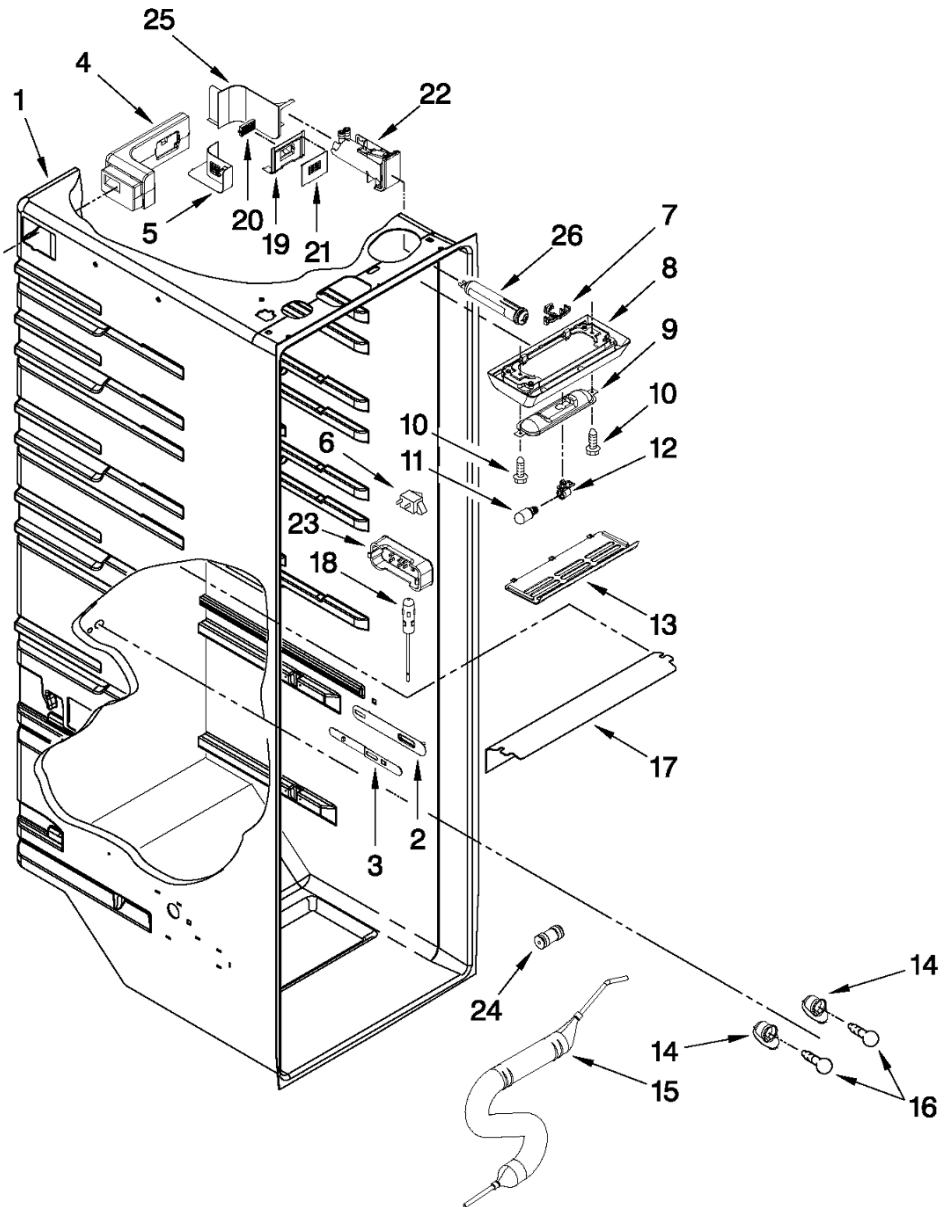


WSF26D4EXW00

1	W10281969	ENERGY LABEL - NLA
1	W10332632	USE & CARE GUIDE
1	W10373992	SERVICE & WIRING SHEET
2	WPW10475495	ROLLER
3	WPW10297485	SCREW
4	12477102	ROLLER
5	12477202	AXLE,ROLLER
6	WPW10285005	AXLE,ROLLER
7	W10379525	TUBE,DRAIN
8	W10848279	BRACKET,FOOT
9	WPW10141622	BRAKE,ROLLER
10	WPW10308750	SCREW (WHITE)
11	WPW10238100	VALVE,INLET
12	W10247899	HINGE,TOP (FREEZER) (WHITE)
12	W10249920	HINGE,TOP (FC) (BLACK)
12	WPW10249922	HINGE,TOP (FC) (GREY)
13	W10827994	HINGE,TOP (REFRIGERATOR) (WHITE)
13	W10249923	HINGE,TOP (RC) (BLACK)
13	WPW10249925	HINGE,TOP (RC) (GREY)
14	WPW10142283	SCREW (WHITE)
14	W10308487	SCREW (BLACK)
14	WPW10308489	SCREW (GREY)
15	WPW10249940	HINGE,BOTTOM (FREEZER) (WHITE)
15	W10249941	HINGE,BOTTOM (FREEZER) (BLACK)
15	WPW10249943	HINGE,BOTTOM (FREEZER) (GREY)
16	W10500000	BOTTOM HINGE (RC) (WHITE)
16	W10500001	BOTTOM HINGE (RC) (BLACK)
16	W10500004	BOTTOM HINGE (RC) (GREY)
17	W10500000	DOOR CLOSER (RC) (WHITE)
17	W10500001	DOOR CLOSER (RC) (BLACK)
17	W10257197	DOOR CLOSER (RC) (GREY)
18	WPW10141645	SCREW
19	WP3196256	CLAMP,POWER CORD
20	WPW10333887	COVER,UNIT
21	WP12587703AP	FILLER,WRAPPER (GREY)
21	12587703B	FILLER,WRAPPER (BLACK)

21	12587703W	FILLER,WRAPPER (WHITE)
22	W10511253	GRILLE (WHITE)
22	WPW10713158	GRILLE (BLACK)
22	W10511269	BASE GRILL (GREY)
23	W10142234	SCREW
24	W10876198	CLOSER,DOOR (FREEZER) (WHITE)
24	W10876198	CLOSER,DOOR (FREEZER) (BLACK)
24	W10876191	CLOSER,DOOR (FREEZER) (GREY)
25	W10001250	SCREW
26	WPW10279882	TUBE,FILTER INLET
27	WPW10279884	TUBE,FILTER OUTLET
28	W10247979	FITTING,DRAIN
29	12957702	LID,HV BOX - NLA
30	WPW10356039	CONTROL,POWER SUPPLY ELECTRONIC
31	WPW10235491	ELEC. CONTROL
32	N/P	BI-METAL DEFROST (NOT SERVICED)

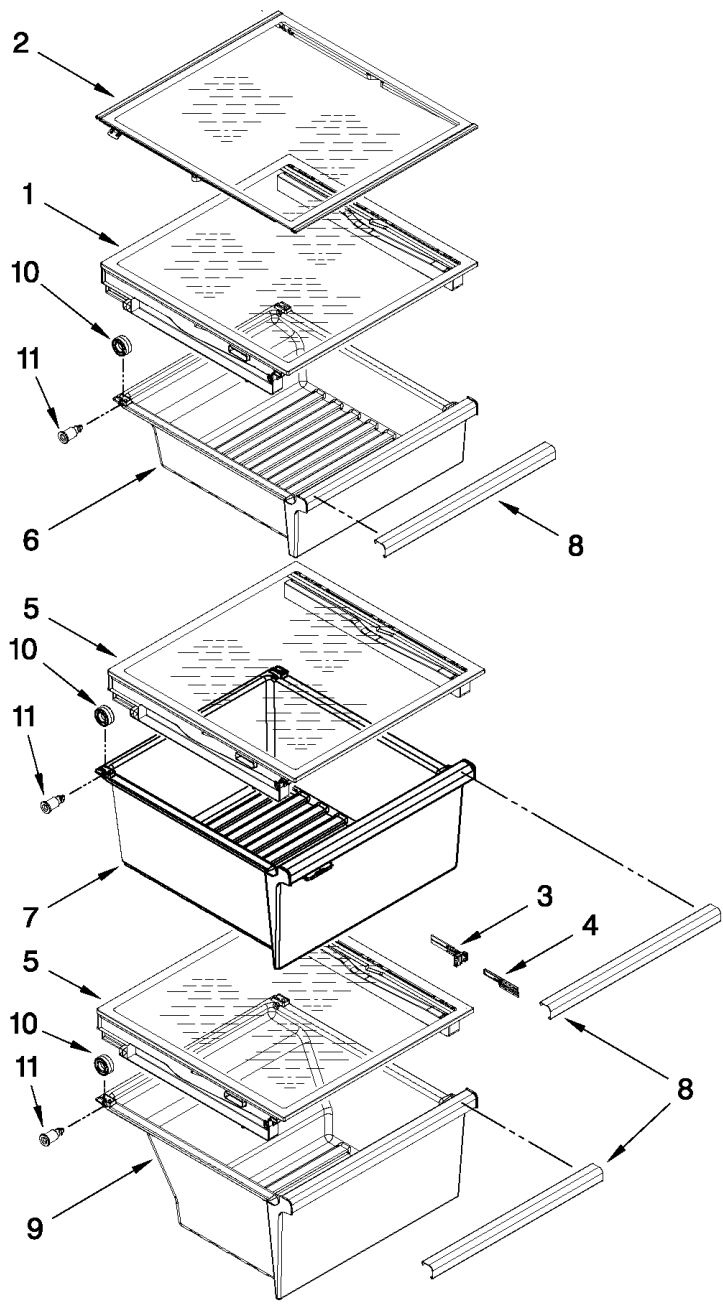
WSF26D4EXW00



WSF26D4EXW00

1	N/P	BI-METAL DEFROST (NOT SERVICED)
2	W10260988	ESCUTCHEON,MEAT PAN CONTROL
3	W10260989	SLIDE,MEAT PAN CONTROL
4	W10251495	AIR DIFFUSER ASSEMBLY
5	WPW10260409	AIR DIFFUSER COVER
6	WPW10656773	SWITCH,LIGHT
7	W10253305	WIRE ASSEMBLY, TOP LIGHT
8	W10280178	TRIM,LIGHT
9	W10289520	SHIELD,HEAT
10	W10141632	SCREW
11	WP2326255	BULB,LIGHT
12	WPW10191429	SOCKET,LIGHT
13	W10280420	LENS, TOP LIGHT
14	2162085	SOCKET,LIGHT
15	WPW10366790	RESERVOIR
16	W10311505	BULB,LIGHT
17	WPW10269099	LENS,LIGHT
18	W10280385	THERMISTOR
19	W10342986	HOUSING,AIR FILTER
20	W10315189	FILTER,AIR
21	W10340015	COVER,AIR FILTER
22	WPW10238123	HOUSING,WATER FILTER
23	WPW10425252	COVER,THERMISTOR
24	WPW10271543	CONNECTOR,WATER TUBE
25	WPW10260405	COVER,WATER FILTER
26	EDR1RXD1	WATER FILTER

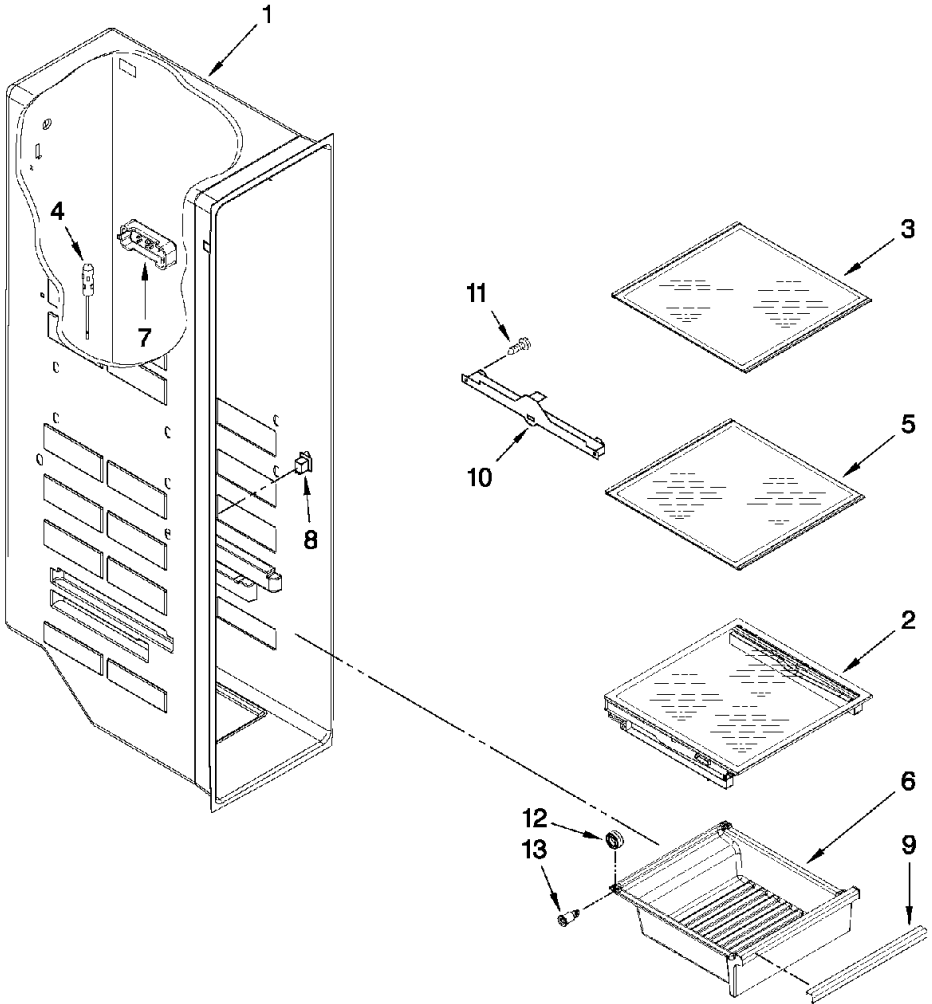
WSF26D4EXW00



WSF26D4EXW00

1	WPW10290493	SHELF,SNACK PAN
2	WPW10256767	SHELF ASSY
3	WPW10282883	SLIDE,HUMIDITY
4	WPW10282880	HOUSING,HUMIDITY
5	WPW10282541	ASSEMBLY,COVER
6	WPW10256770	PAN,SNACK
7	WPW10278653	PAN,CRISPER
8	WPW10256775	TRIM,HANDLE
9	WPW10256774	PAN,MEAT
10	WPW10278139	ROLLER
11	WPW10257246	AXLE,ROLLER

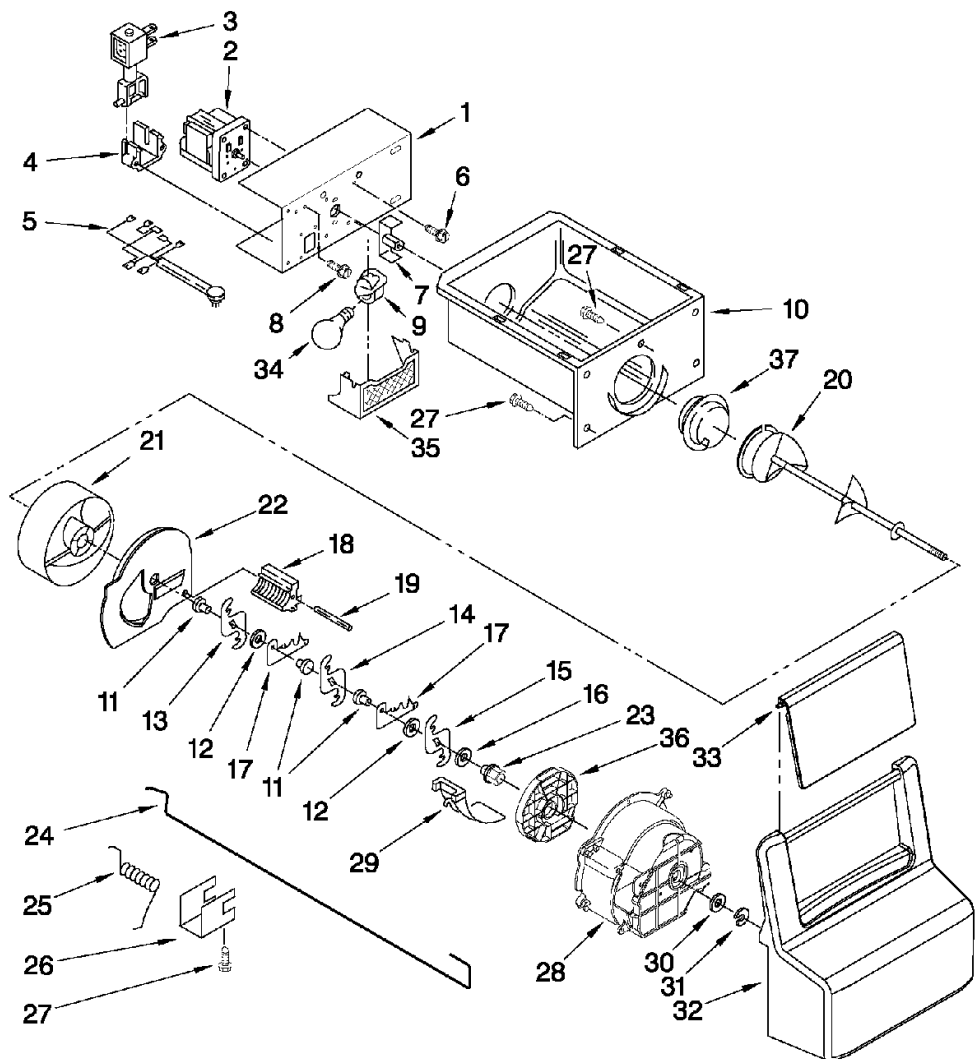
WSF26D4EXW00



WSF26D4EXW00

1	N/P	BI-METAL DEFROST (NOT SERVICED)
2	WPW10269181	ASSEMBLY,COVER
3	WPW10256768	SHELF,GLASS UPPER
4	W10280386	THERMISTOR
5	WPW10261035	SHELF,GLASS LOWER
6	WPW10260985	PAN,FREEZER
7	W10425253	COVER,THERMISTOR
8	WPW10656771	SWITCH,ROCKER ARM COMBINATION (FREEZER)
9	W10260986	TRIM,HANDLE
10	1119237	SLIDE,ICE CONTAINER (LEFT)
10	1119293	SLIDE,ICE CONTAINER (RIGHT)
11	489100	SCREW
12	WPW10278139	ROLLER
13	WPW10257246	AXLE,ROLLER

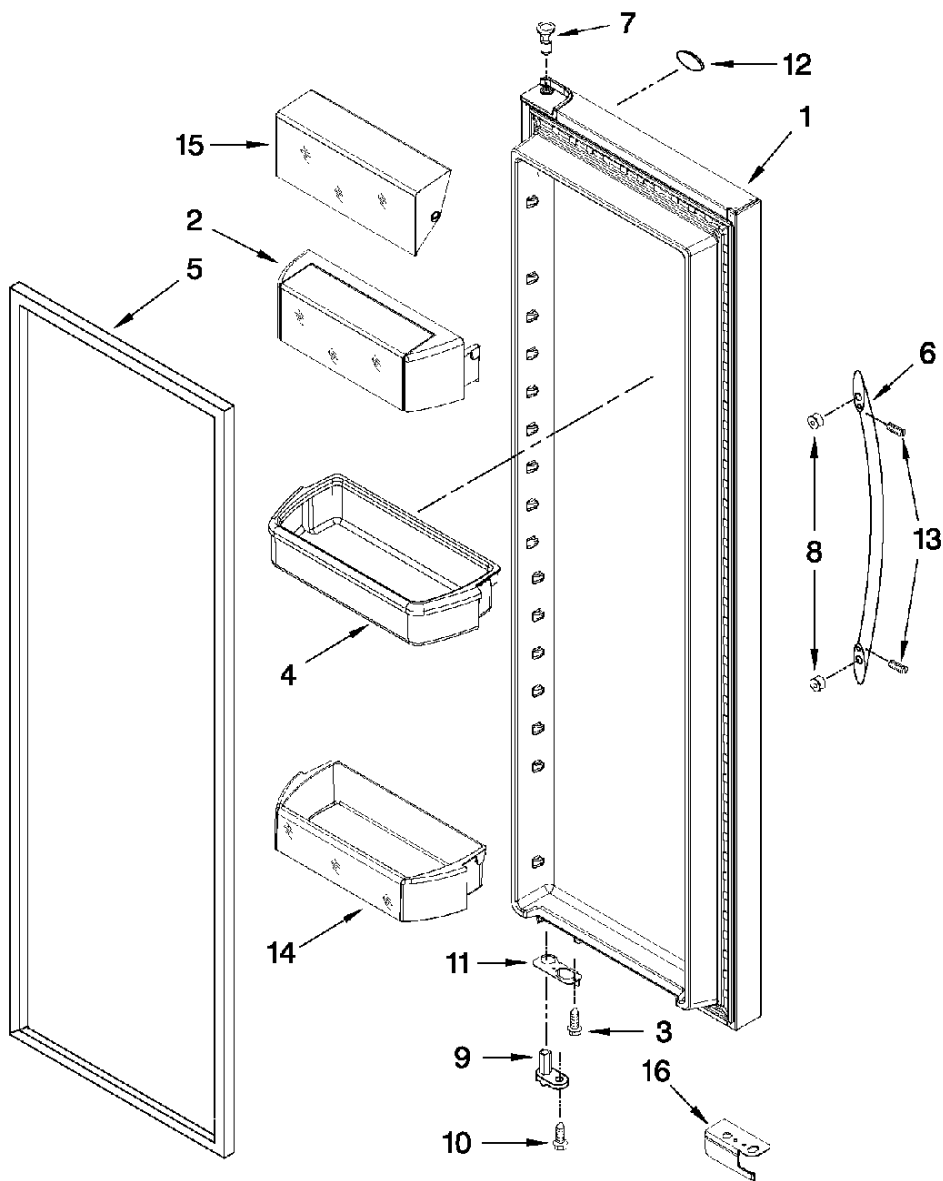
WSF26D4EXW00



WSF26D4EXW00

1	W10276181	BRACKET,MOTOR
2	WPW10317991	MOTOR,DISPENSER
3	WP2152713	ASSEMBLY,SOLENOID
4	W10850503	GUIDE,SOLENOID
5	W10298085	WIRE ASSEMBLY,ICE DISPENSER
6	WP489399	SCREW
7	WPW10169511	COUPLING,MOTOR
8	WP489478	SCREW
9	2162085	SOCKET,LIGHT
10	W10276184	ICE CONTAINER
11	W10189661	SPACER,STEP
12	WPW10189658	SPACER,FLAT
13	W10278731	BLADE,ROTARY A
14	W10278732	BLADE,ROTARY B
15	W10278733	BLADE,ROTARY C
16	W10189660	Washer,Plain
17	W10181990	BLADE,FIXED
18	W10189708	BLOCK,BLADE
19	489229	PIN,ROLL
20	WPW10295082	AUGER
21	4388736	DRUM
22	W10852691	BAFFLE,FLOATING
23	WP1119018	NUT,BEARING
24	WP2155231	ARM,CONTROL
25	1119020	SPRING,RETURN
26	1119021	CLIP,RETAINER (DISPENSER ROD)
27	WP488787	SCREW
28	WPW10413520	HOUSING,CRUSHER
29	WP1119017	DEFLECTER,ICE
30	489234	WASHER,PLAIN UPPER CAM
31	WP489236	RING,RETAINER
32	W10276185	FRONT COVER,ICE CONTAINER - NLA
33	W10189202	ICE DOOR
34	W10311505	BULB,LIGHT
35	WP2171706	LENS,LIGHT
36	W10138206	SPACER - CRUSHER HOUSING
37	WP983668	COUPLING,ICE CONVEYOR
100	W10332460	ICE CONTAINER (COMPLETE)

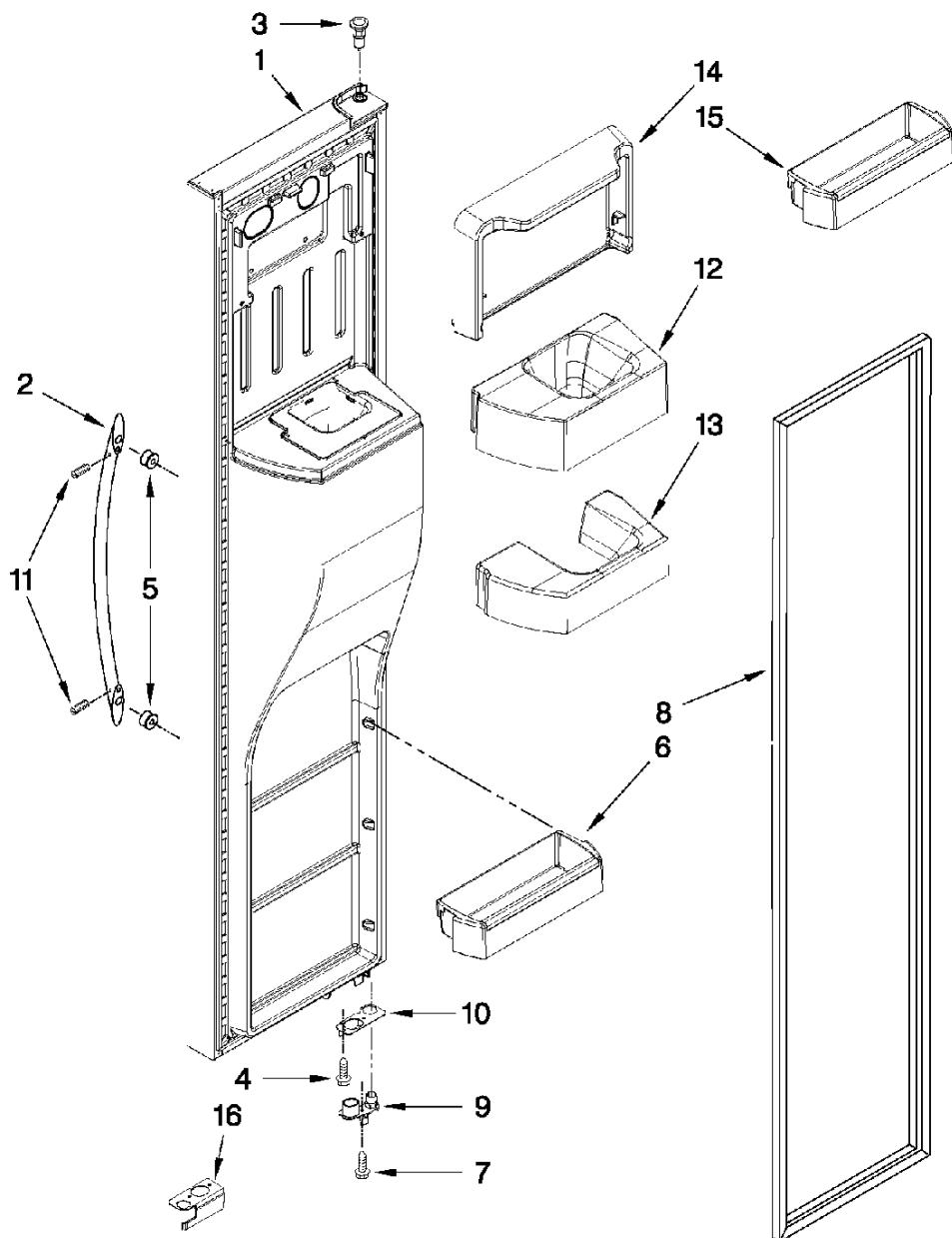
WSF26D4EXW00



WSF26D4EXW00

1	W10261124	REFRIGERATOR DOOR (INCLUDES ITEM 5) (WHITE)
1	W10287376	REFRIGERATOR DOOR (INCLUDES ITEM 5) (SATINA)
1	W10287380	REFRIGERATOR DOOR (INCLUDES ITEM 5) (STAINLESS)
1	W10287390	REFRIGERATOR DOOR (INCLUDES ITEM 5) (MONO SATINA)
1	W10287391	REFRIGERATOR DOOR (INCLUDES ITEM 5) (MONO STAINLESS)
1	W10334306	REFRIGERATOR DOOR (INCLUDES ITEM 5) (BLACK)
2	WPW10316889	DOOR COMPARTMENT ASSEMBLY
3	WPW10296816	SCREW
4	WPW10296855	BIN,SHALLOW DOOR
5	WPW10247884	DOOR GASKET,MAGNETIC (BEIGE)
5	WPW10249912	DOOR GASKET,MAGNETIC (BLACK)
5	W10355582	DOOR GASKET,MAGNETIC (GREY)
6	WPW10268056	HANDLE (WHITE)
6	WPW10268057	HANDLE (BLACK)
6	WPW10670421	HANDLE (STAINLESS)
7	WP2182181	THIMBLE,TOP
8	WPW10170540	SCREW
9	WPW10248011	DOOR CLOSER,UPPER CAM (WHITE)
9	WPW10257201	DOOR CLOSER,UPPER CAM (BLACK)
9	WPW10257203	DOOR CLOSER,UPPER CAM (GREY)
10	WPW10296804	SCREW
11	W11037957	BRACKET,DOOR STOP
12	WP2213265	NAMEPLATE
13	WPW10010140	SET SCREW (SILVER)
13	WPW10010150	SET SCREW (BLACK)
14	WPW10335220	DOOR BIN,GALLON
15	WPW10316889	DOOR,COMPARTMENT
16	W10248013	COVER,DOOR STOP (WHITE)
16	W10257216	COVER,DOOR STOP (BLACK)
16	WPW10257218	COVER,DOOR STOP (GREY)

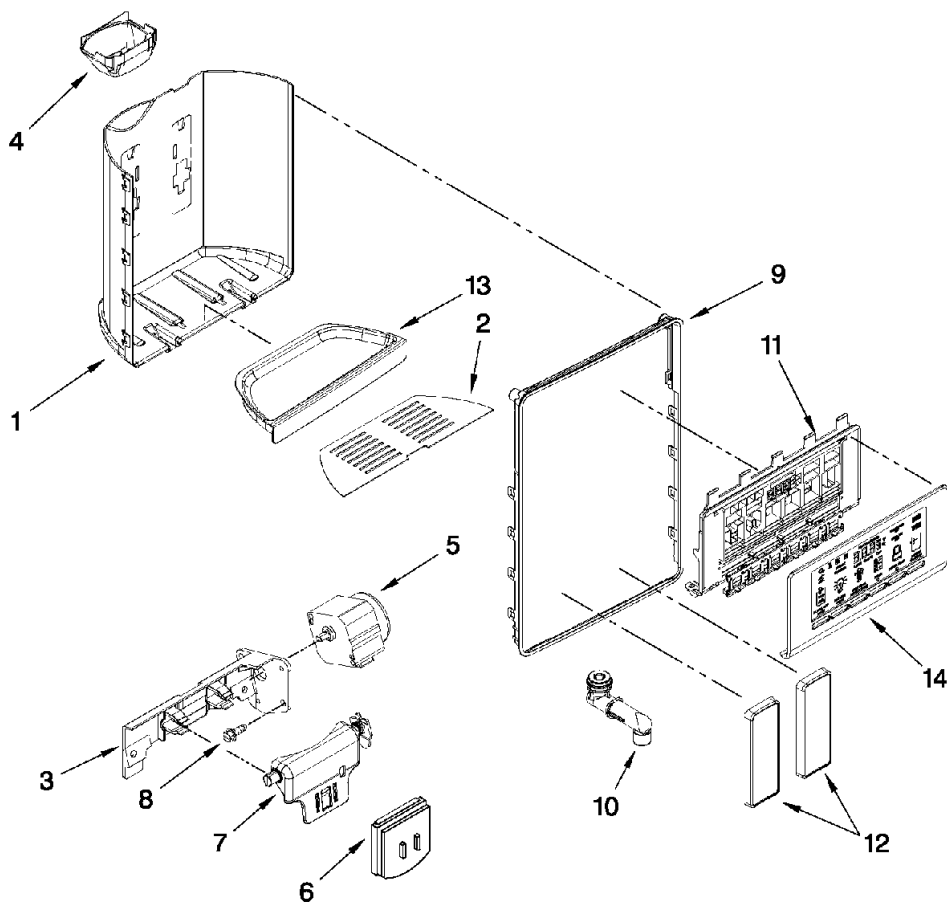
WSF26D4EXW00



WSF26D4EXW00

1	W10267388	FREEZER DOOR (INCLUDES ITEM 8 AND DISPENSER FRONT PARTS) (WHITE)
1	W10290910	FREEZER DOOR (INCLUDES ITEM 8 AND DISPENSER FRONT PARTS) (SATINA)
1	W10290911	FREEZER DOOR (INCLUDES ITEM 8 AND DISPENSER FRONT PARTS) (MONO SATINA)
1	W10290912	FREEZER DOOR (INCLUDES ITEM 8 AND DISPENSER FRONT PARTS) (STAINLESS)
1	W10290913	FREEZER DOOR (INCLUDES ITEM 8 AND DISPENSER FRONT PARTS) (MONO STAINLESS)
1	W10334481	FREEZER DOOR (INCLUDES ITEM 8 AND DISPENSER FRONT PARTS) (BLACK)
2	WPW10268056	HANDLE (WHITE)
2	WPW10268057	HANDLE (BLACK)
2	WPW10670421	HANDLE (STAINLESS)
3	WP2182181	THIMBLE, TOP
4	WPW10296804	SCREW
5	WPW10170540	SCREW
6	WPW10296857	BIN, DOOR
7	WPW10296816	SCREW
8	WPW10247885	GASKET, DOOR (BEIGE)
8	WPW10249913	GASKET, DOOR (BLACK)
8	WPW10355585	GASKET, DOOR (GREY)
9	WPW10248015	CLOSER, UPPER CAM DOOR (WHITE)
9	WPW10257204	CLOSER, UPPER CAM DOOR (BLACK)
9	WPW10257206	CLOSER, UPPER CAM DOOR (GREY)
10	WPW10247907	BRACKET, DOOR STOP
11	WPW10010140	SET SCREW (SILVER)
11	WPW10010150	SET SCREW (BLACK)
12	W10284556	CHUTE ADAPTER
13	W10283476	FILLER, CHUTE
14	W10314925	HALF BIN HOUSING
15	W10316652	BIN, DOOR
16	W10632059	COVER, DOOR STOP (WHITE)
16	W10632060	COVER, DOOR STOP (BLACK)
16	WPW10632062	COVER, DOOR STOP (GREY)

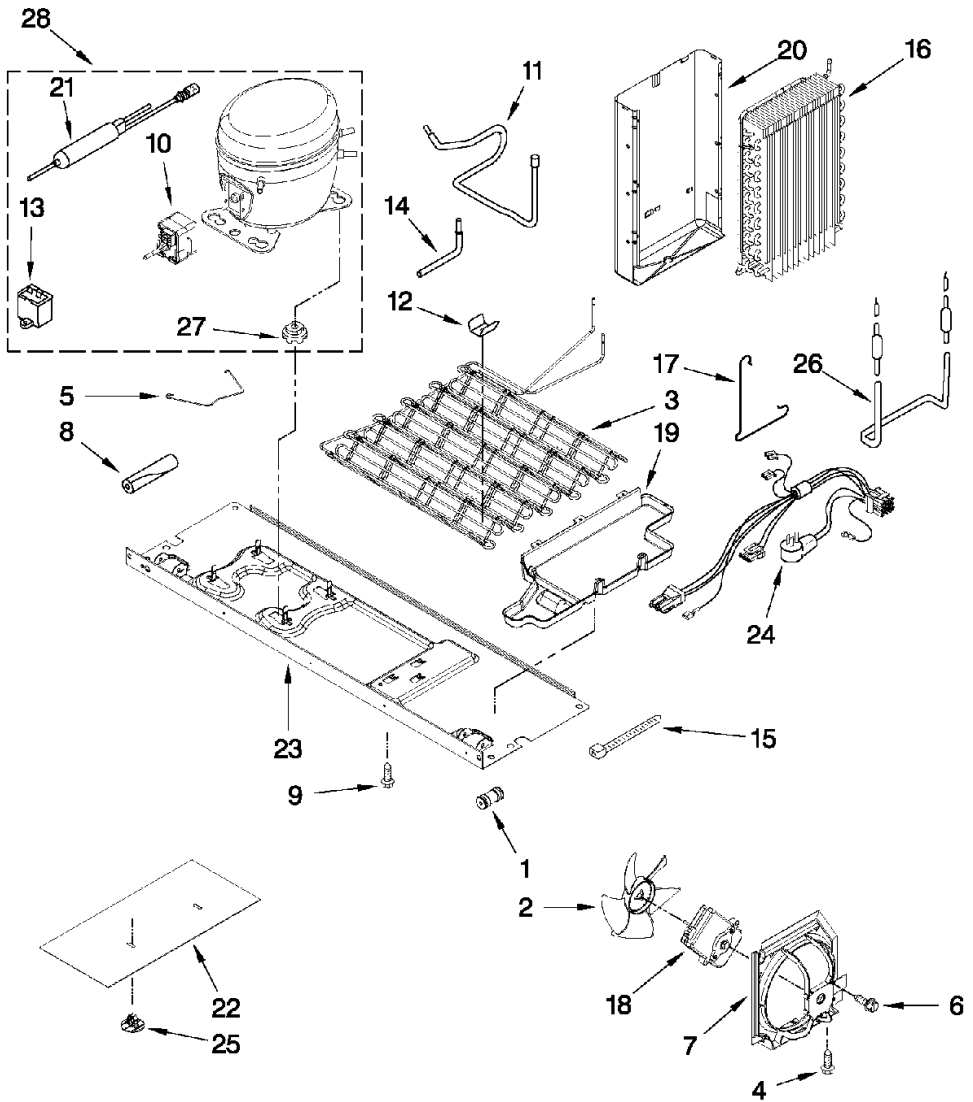
WSF26D4EXW00



WSF26D4EXW00

1	N/P	BI-METAL DEFROST (NOT SERVICED)
2	WPW10276220	GRATE,DRIP TRAY (WHITE)
2	WPW10276221	GRATE,DRIP TRAY (BLACK)
2	WPW10276223	GRATE,DRIP TRAY (GREY)
3	W10174827	BRACKET,ICE DOOR
4	WPW10435760	GUIDE,ICE
5	WPW10205978	MOTOR,DISPENSER
6	WPW10493172	DOOR,ICE (INCLUDES ITEMS 3,5,7,& 8)
7	WPW10346124	SUPPORT,ICE DOOR
8	WP4449745	SCREW
9	WPW10276186	RING,TRIM (WHITE)
9	W10276187	RING,TRIM (BLACK) - NLA
9	W10276227	RING,TRIM (GREY)
10	WP2305235	ASSEMBLY,SPIGOT
11	WPW10372208	ELECTRONIC CONTROL ASSY
12	WPW10370593	PAD,ICE & WATER (WHITE)
12	WPW10370592	PAD,ICE AND WATER (BLACK)
12	WPW10370594	PAD ASSEMBLY (GREY)
13	W10276193	TRAY,HOUSING (WHITE)
13	W10276194	TRAY,HOUSING (BLACK)
13	W10276224	TRAY,DRIP (GREY)
14	WPW10254285	FASCIA,DISPLAY (BLACK)
14	W10276229	COVER,FRONT (WHITE)

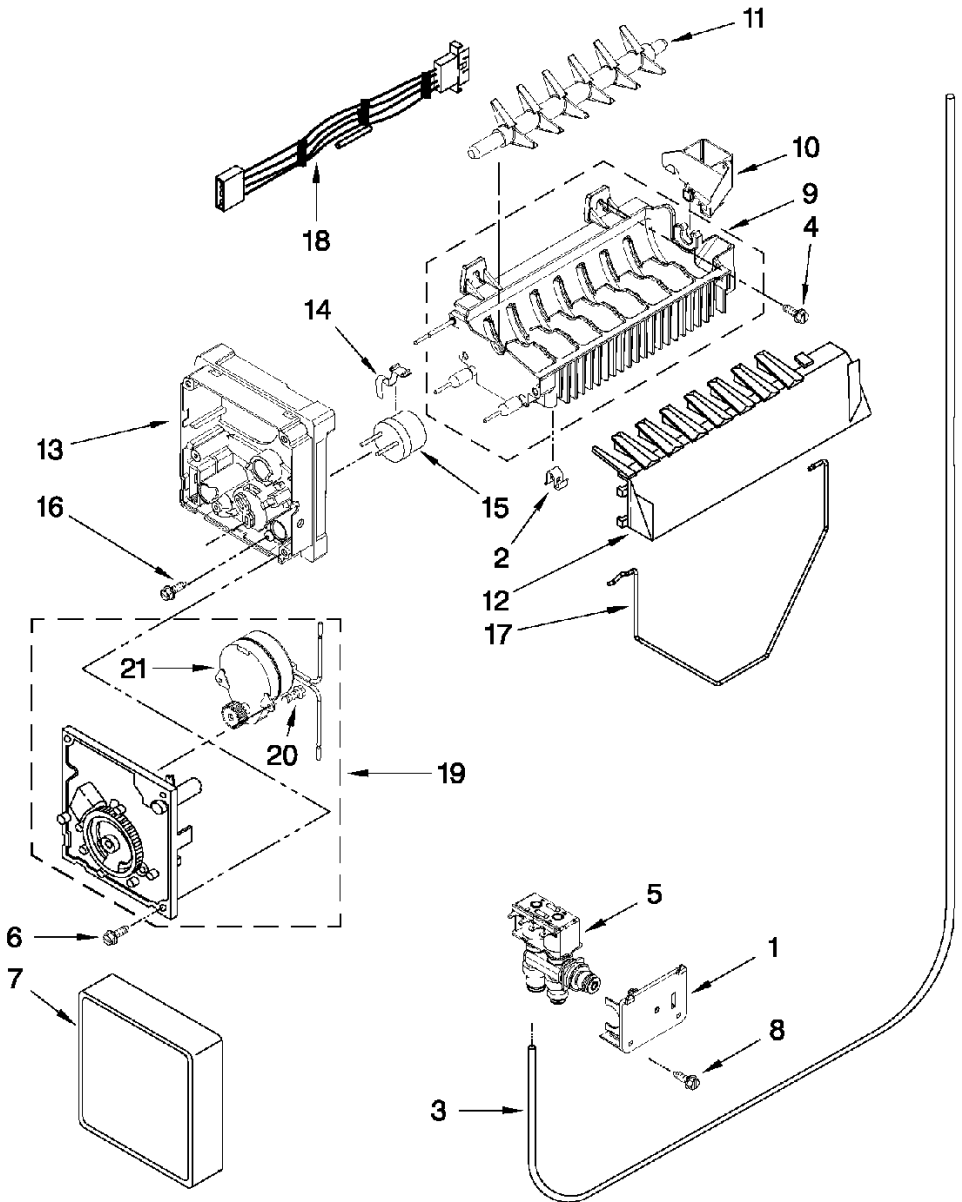
WSF26D4EXW0



WSF26D4EXW00

1	W10271541	CONNECTOR,UNION
2	W10156818	BLADE,FAN
3	W10276899	CONDENSER
4	W10142255	SCREW
5	2223314	STRAP,BALE
6	WPW10171469	SCREW
7	WPW10251467	BAFFLE,AIR
8	W10303521	SLEEVE
9	W10142294	SCREW
10	WPW10260370	DEVICE,START
11	W10219381	TUBE,SUCTION
12	W10248621	CLIP,CONDENSER
13	WPW10662129	CAPACITOR
14	2325479	TUBE,PROCESS
15	WP2205813	TIE,WIRE
16	WP2188822	EVAPORATOR
17	WP2161324	CLIP,DEFROST HEATER
18	WP2188874	MOTOR,CONDENSER
19	W10238584	TRAY,EVAPORATOR
20	W10274575	SHIELD,HEAT
21	WPW10143759	DRIER
21	W10177049	DRIER
22	W10278140	COVER,CONDENSER (BOTTOM)
23	W10277704	BASEPAN
24	WPW10242407	CORD,POWER
25	W10296661	CLIP,BOTTOM COVER
26	WPW10338944	HEATER,DEFROST
27	10835903	GROMMET
27	WP4387558	GROMMET
28	W10260368	COMPRESSOR (ALSO ORDER 876765 TUBE KIT)
NI	876764	VALVE,ACCESS
NI	WP978025	VALVE,ACCESS
NI	978026	VALVE,ACCESS
NI	978027	VALVE,ACCESS
NI	978028	VALVE,ACCESS - NLA
NI	978029	VALVE,ACCESS
NI	978030	VALVE,ACCESS

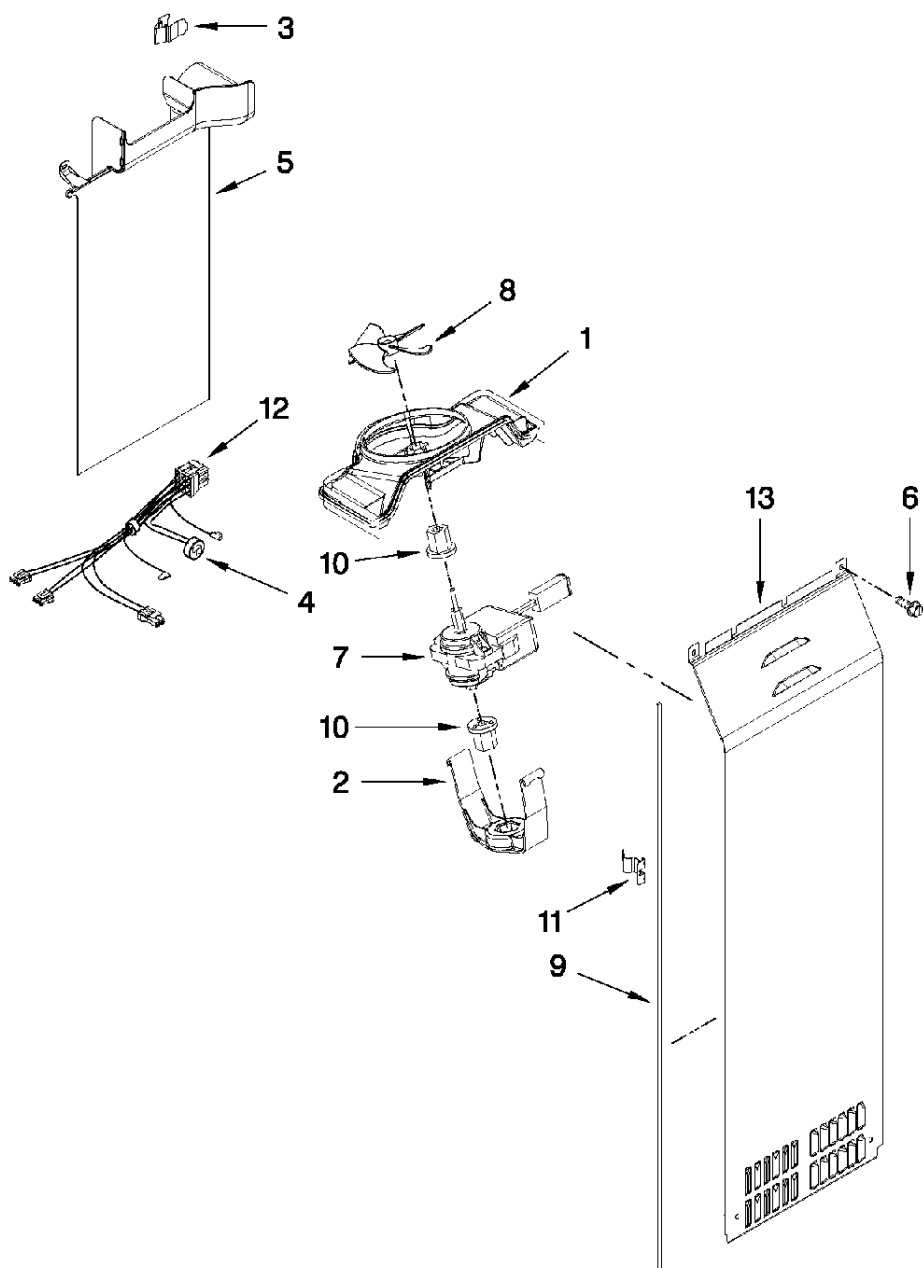
WSF26D4EXW00



WSF26D4EXW00

1	W10847867	BRACKET,WATER VALVE
2	WP628379	CLIP,THERMAL FUSE
3	W10175644	TUBE,WATER
4	WP489478	SCREW
5	WPW10238102	FILTER VALVE ASM
6	8533917	SCREW
7	WPW10289690	COVER,ICEMAKER
8	WPW10141625	SCREW
9	W10136595	MOLD & HEATER ASSEMBLY (ALSO ORDER 542638)
10	W10122561	CUP,WATER FILL
11	W10318914	EJECTOR
12	WPW10122563	STRIPPER,ICE
13	WP2195914	SUPPORT,HOUSING
14	WP2315522	RETAINER,THERMOSTAT
15	628532	THERMOSTAT (ALSO ORDER 542369 CEMENT ALUMILASTIC)
16	8533917	SCREW
17	2304352	ARM,SHUT OFF
18	W10242433	HARNESS,WIRING
19	8201515	ASSEMBLY,MODULE AND MOTOR
20	489136	SCREW
21	N/P	BI-METAL DEFROST (NOT SERVICED)
100	WPW10300022	COMPLETE ICEMAKER ASSEMBLY

WSF26D4EXW00



WSF26D4EXW00

1	W10251462	SCROLL,FAN
2	W10260421	RETAINER,FAN MOTOR
3	W10331728	CLIP,AIR DUCT
4	W10260437	BI-METAL,DEFROST
5	W10251474	AIR DUCT FREEZER
6	W10142292	SCREW
7	4389144	MOTOR,EVAPORATOR FAN
8	WP2169142	BLADE,FAN
9	W10240370	GASKET,EVAPORATOR COVER
10	WP2176759	GROMMET,MOTOR
11	W10369602	CLIP,EVAPORATOR COVER
12	W10253282	HARNESS,FAN EVAPORATOR
13	W10239739	COVER,EVAPORATOR (INCLUDES NO.9)

***NOTA: SI EL CODIGO DEL ARTICULO QUE NECESITA NO APARECE EN NUESTRA PAGINA WEB, ES PROBABLE QUE SEA SOBRE PEDIDO O ESTE OBSOLETO.**

FAVOR DE COMUNICARSE A NUESTRAS OFICINAS PARA MAYOR INFORMACION

TELEFONOS: 83377949, 83377999 Y 83373889.