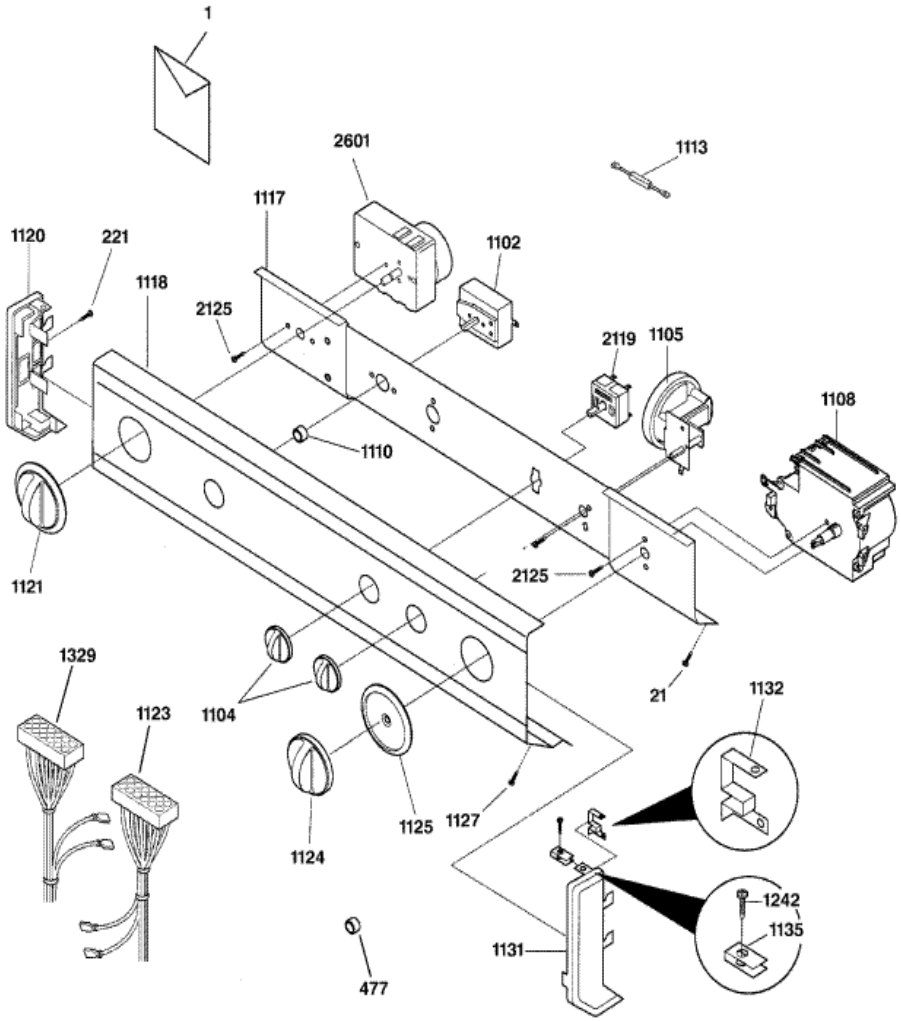


WSM2781WCWW TABLERO





WSM2781WCWW TABLERO

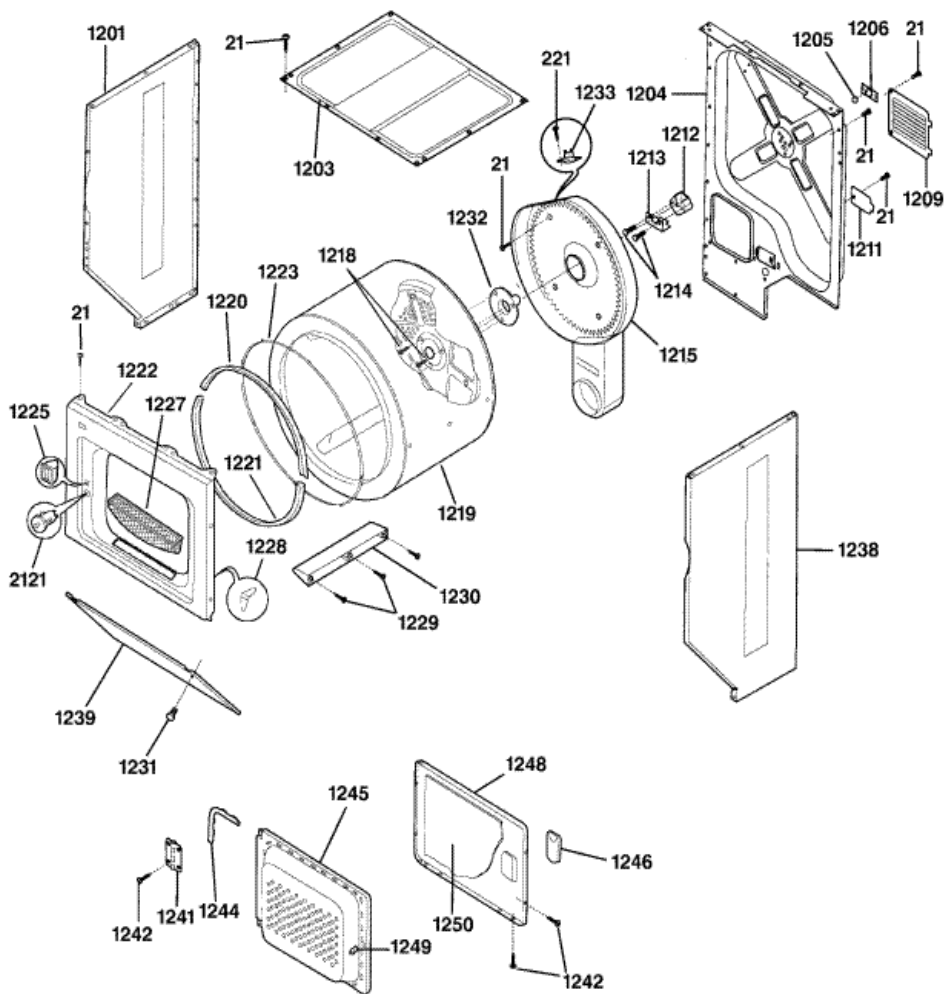
21	WR2X9494	SCREW (S/P)
221	WH1X10004	SCREW 8-18 AB X .375 (S/P)
477	WE1X10137	PLUG-LIGHT HOLE (S/P)
1102	WE4X10057	SWITCH START (S/P)
1104	WE1X10159	KNOB-ROTARY (S/P)
1105	WH12X10083	SWITCH WATER LEEVEL (S/P)
1108	131758600	TIMER-WASHER
1110	WE1X10068	BUTTON START SWITCH WH (S/P)
1113	WE4X744	RESISTOR,3.0K (S/P)
1117	WH16X10097	BRACKET CONTROL PANEL (S/P)
1118	WH42X10290	CONTROL PANEL (S/P)
1120	WH42X10224	END CAP L.H. WH (S/P)
1121	WE1X10160	KNOB/IND TIMER (S/P)
1123	WE8X10023	HARNESS-LCD MAIN GAS (S/P)
1124	WH1X10125	KNOB, WASHER TIMER WH (S/P)
1125	WH11X10019	POINTER-WHT/DRK GRAY IND (S/P)
1127	WH2X1128	SCREW (S/P)
1131	WH42X10225	END CAP R.H. WH (S/P)
1132	WH2X1129	CLIP GROUNDING (S/P)
1135	WH2X1131	CLIP END CAP (S/P)
1242	WH2X10038	SCREW, 8-18 AB X .44 (S/P)
1329	WH8X10013	HARN-LWR WSHR (S/P)
2119	WH12X10036	SWITCH TEMP (S/P)
2125	WH2X1150	SCREW 8-32 X .250 (S/P)
2601	WE4X10005	TIMER DRYER (S/P)

Distribuidor Autorizado

SurteRápido.com

Venta de Refacciones
Electrodomesticas

WSM2781WCWWW TAMBOR





WSM2781WCWWW TAMBOR

21	WR2X9494	SCREW (S/P)
221	WH1X10004	SCREW 8-18 AB X .375 (S/P)
1201	WE20X766	PANEL SIDE DRYER L.H. WH (S/P)
1203	WE20X10064	PANEL-TOP WASHED (S/P)
1204	WE20X10095	PANEL REAR (S/P)
1205	WE1X1152	BALL (S/P)
1206	WE2X358	CLIP BALL (S/P)
1209	WE20X743	PANEL ACCESS DRYER (S/P)
1211	WE20X744	COVER TERM BLOCK (S/P)
1212	WE3X70	BEARING-DRUM SUPPORT (S/P)
1213	WE13X10009	BRACKET BEARING (S/P)
1214	WE2X10005	SCREW, 10-16B X 1.375 (S/P)
1215	WE14X201	HEATER & HSNB ASM (S/P)
1218	WE2X10006	SCREW 10-16 X.375 (S/P)
1219	WE21X10014	DRUM ASS'Y (S/P)
1220	WE9X10013	FELT-UPPER (S/P)
1221	WE9X10014	FELT-LOWER (S/P)
1222	WE20X10071	PANEL-FRONT (S/P)
1223	WE3X10007	GLIDE-DRUM (S/P)
1225	WE1X10023	CATCH DOOR (S/P)
1227	WE18X53	LINT TRAP
1228	WE2X361	CLIP-GUIDE (S/P)
1229	WE2X10007	SCREW-VANE (S/P)
1230	WE21X69	VANE (S/P)
1231	WE2X10002	SCREW 10-16 X 5/8 PPH AB (S/P)
1232	WE13X10011	SHAFT SUPPORT (S/P)
1233	WE4X10040	THERMOSTAT SAFETY (S/P)
1238	WE20X768	PANEL SIDE RIGHT WH (S/P)
1239	WE20X772	PANEL ACCESS WH (S/P)
1241	WE1X10012	HINGE DOOR (S/P)
1242	WH2X10038	SCREW, 8-18 AB X .44 (S/P)

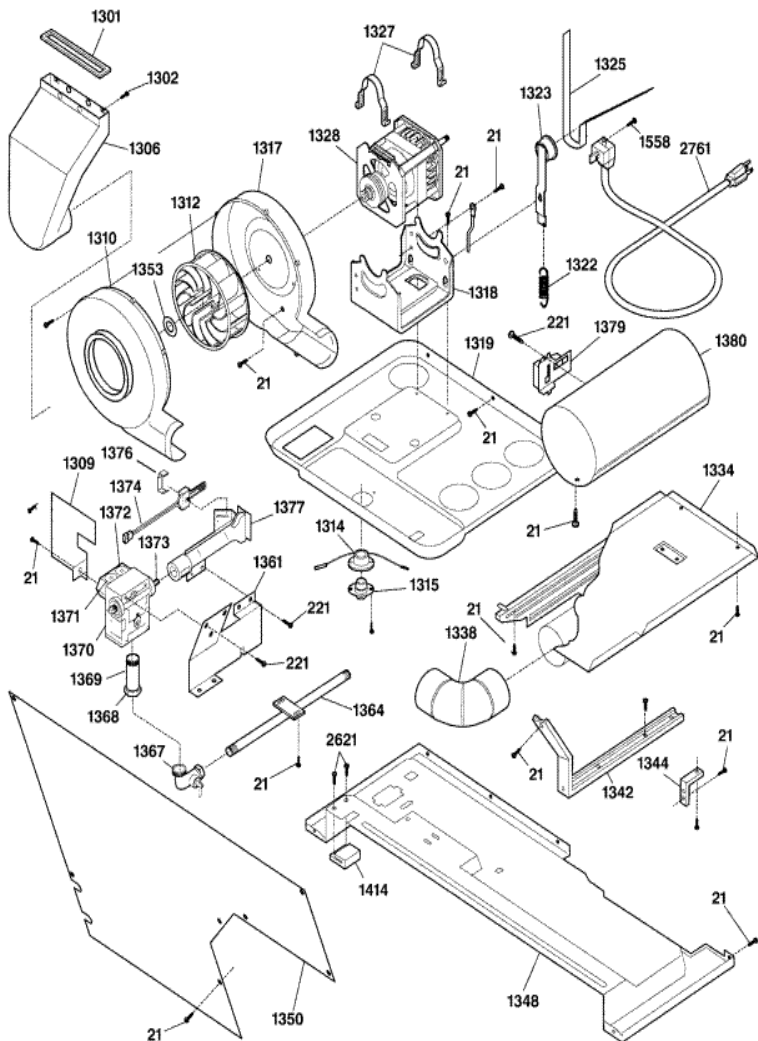
1244	WE9X107	GASKET DOOR (S/P)
1245	WE10X10004	DOOR INNER WH (S/P)
1246	WE1X10050	DOOR HANDLE WH (S/P)
1248	WE10X10009	DOOR-OUTER WH (S/P)
1249	WE1X1158	STRIKE DOOR (S/P)
1250	WE10X322	SHEILD HEAT (S/P)
2121	WE4X10003	DOOR SWITCH (S/P)

Distribuidor Autorizado

SurteRápido.com

Venta de Refacciones
Electrodomesticas

WSM2781WCWWW MOTOR





WSM2781WCWWW MOTOR

21	WR2X9494	SCREW (S/P)
221	WH1X10004	SCREW 8-18 AB X .375 (S/P)
1301	WE9X10001	SEAL AIR DUCT (S/P)
1302	WE1X1262	FASTENER (S/P)
1306	WE14X10019	AIR DUCT ASM (S/P)
1309	WH16X10040	HEAT SHIELD HEAT (S/P)
1310	WE14X10020	FRONT BLOWER HOUSING (S/P)
1312	WE16X28	BLOWER WHEEL (S/P)
1314	WE4X10041	HEATER THERMOSTAT
1315	WE4X747	THERMOSTAT CONTROL
1317	WE14X10066	REAR BLOWER HOUSING (S/P)
1318	WE13X211	CRADLE MOTOR (S/P)
1319	WE13X210	PAN MOTOR CRADLE UPPER (S/P)
1322	WE1X1159	SPRING IDLER (S/P)
1323	WE1X10071	IDLER ARM ASM (S/P)
1325	WE12X90	BELT DRYER (S/P)
1327	WE1X10003	CLAMP MOTOR (S/P)
1328	WE25X10019	MOTOR & PULLEY (S/P)
1334	WE1X10044	SHIELD ACCESS (S/P)
1338	WE14X206	ELBOW EXHAUST (S/P)
1342	WE13X188	BRACKET INTERIOR JOINT (S/P)
1344	WE13X189	BRACKET EXTERIOR (S/P)
1348	WE13X10012	PAN BOTTOM (S/P)
1350	WE20X753	COVER SAFETY (S/P)
1353	WE1X1267	CLAMP HOSE
1361	WE13X191	BRACKET VALVE (S/P)
1364	WE1X1163	PIPE GAS (S/P)
1367	WE1X10007	VALVE GAS SHUT-OFF (S/P)
1368	WE2X371	NUT UNION GAS VALVE (S/P)
1369	WE1X1166	TAIL PIECE GAS VALVE (S/P)
1370	WE14X207	GAS VALVE ASM (S/P)

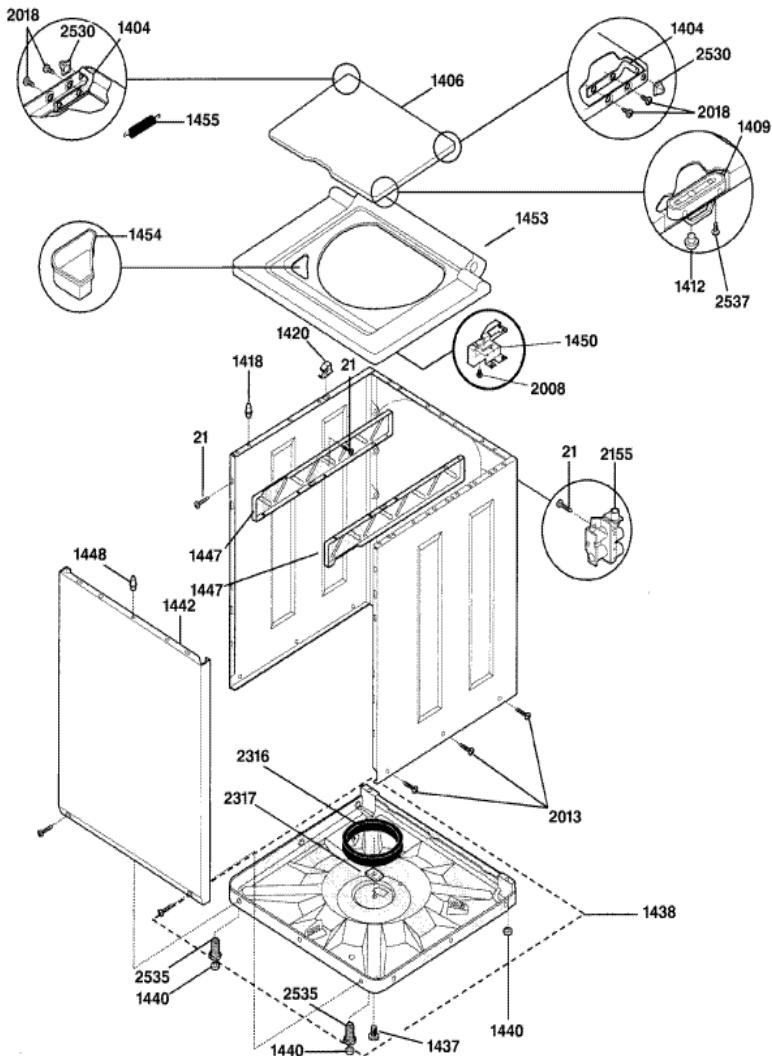
1371	WE4X748	COIL SECONDARY (S/P)
1372	WE4X10020	COIL BOOSTER (S/P)
1373	WE1X1167	ORIFICE NATURAL GAS (S/P)
1373	WE25X10017	GAS CONV KIT NAT TO LP (S/P)
1374	WE4X750	IGNITOR ASM
1376	WE2X10023	CLIP IGNITER (S/P)
1377	WE1X10051	BURNER ASM (S/P)
1379	WE4X751	SENSOR (S/P)
1380	WE14X10024	TUBE BURNER (S/P)
1414	WH1X2622	BLOCK-SUPPORT (S/P)
1558	WH2X10028	SCREW-BRACKET 10-16X.625 (S/P)
2621	WH2X10007	SCW #8 PAN HD 10-10BX.50 (S/P)
2761	WE8X10055	CORD-POWER (S/P)

Distribuidor Autorizado

SurteRápido.com

Venta de Refacciones
Electrodomesticas

WSM2781WCWWW GABINETE





WSM2781WCWWW GABINETE

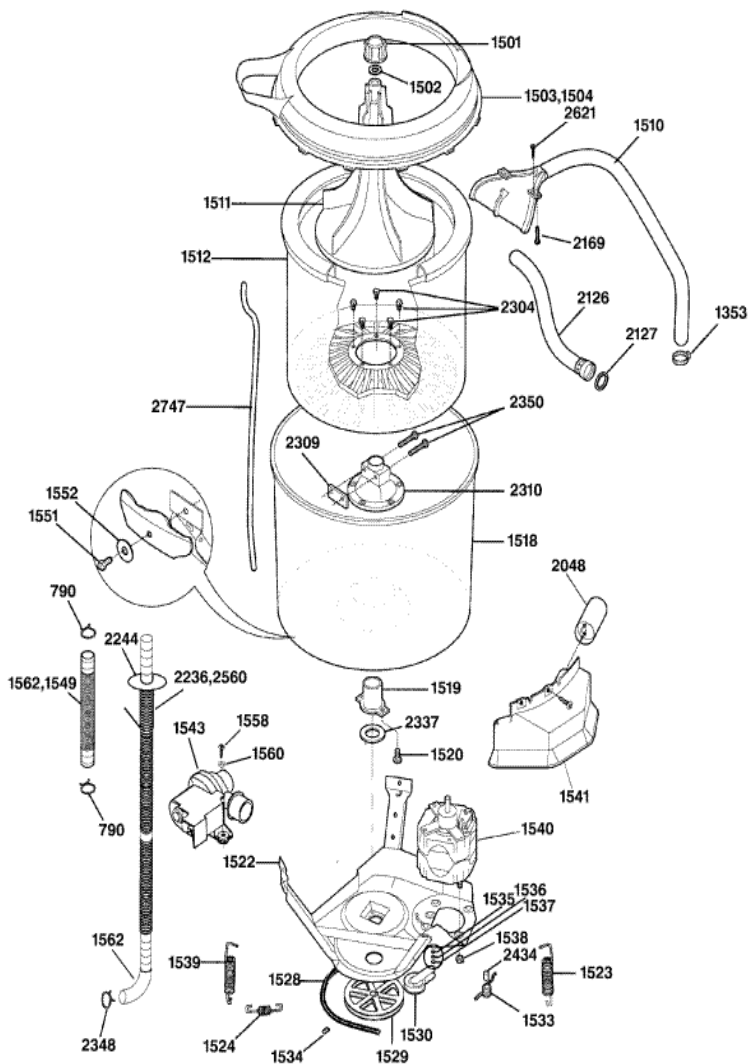
21	WR2X9494	SCREW (S/P)
1404	WH1X2600	BAR HINGE (S/P)
1406	WH44X1137	LID WASHER WH (S/P)
1409	WH1X10041	STRIKE LID (S/P)
1412	WH1X10188	BUMPER-LID (S/P)
1418	WH1X10013	PIN-LOCATING (S/P)
1420	WH1X2608	SLIDE PIN (S/P)
1437	WH1X10105	SCREW-SHIPPING (S/P)
1438	WH46X10025	BASE ASSEMBLY (S/P)
1440	WH1X10043	PAD LEVEL LEG (S/P)
1440	WH1X10044	PAD LEVEL LEG (S/P)
1442	WH46X321	PANEL FRONT WH (S/P)
1447	WH16X501	BRACKET-MARRIAGE RH (S/P)
1447	WH16X502	BRACKET-MARRIAGE LH (S/P)
1448	WH1X10042	PIN LOCATING (S/P)
1450	WH12X10216	LOCK-LID (S/P)
1453	WH46X10026	PANEL TOP WH (S/P)
1454	WH47X41	DISPENSER BLEACH (S/P)
1455	WH1X2623	SPRING LID (S/P)
2008	WE2X10016	SCREW 8-32 X 3/8 (S/P)
2013	WE2X10003	SCREW 1/4-14 X 5/8 (S/P)
2018	WH2X10060	SCREW 6-32 X .312 (S/P)
2155	WH13X78	WATER VALVE (S/P)
2316	WH1X2312	SNUBBER RING (S/P)
2317	WH1X10099	BLOCK-SHIPPING (S/P)
2530	WH1X2592	GROMMET (S/P)
2535	WH1X10049	LEVELING LEG (S/P)
2537	WH2X1126	SCREW 6-20 X 3/8 (S/P)

Distribuidor Autorizado

SurteRápido.com

Venta de Refacciones
Electrodomesticas

WSM2781WCWWW TINA



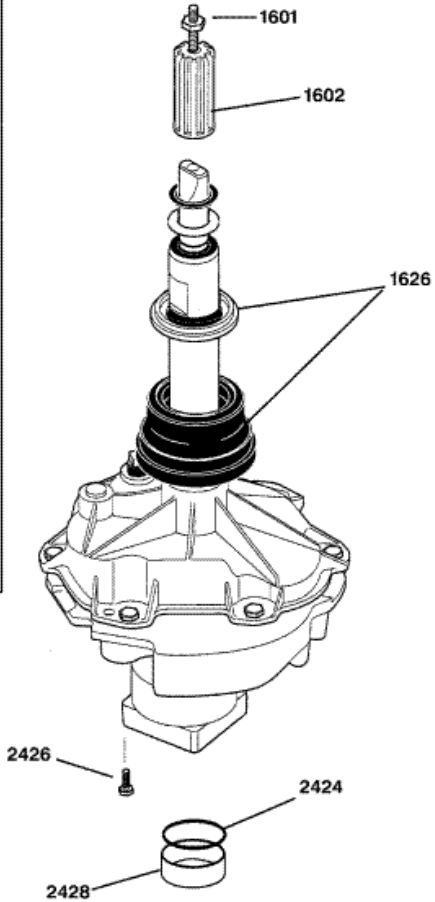
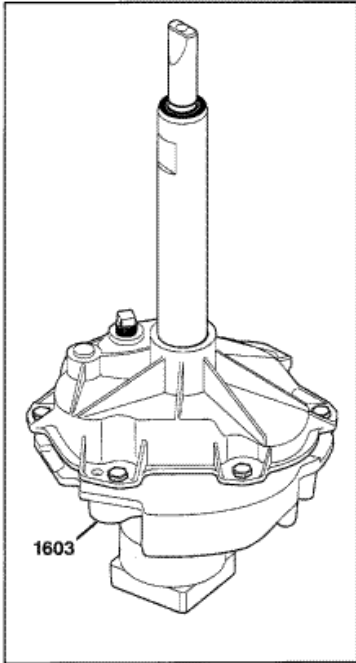


WSM2781WCWWW TINA

790	WH1X2036	CLAMP HOSE TO TUB (S/P)
1353	WH1X10048	CLAMP HOSE (S/P)
1501	WH43X118	CAP AGITATOR (S/P)
1502	WH8X368	SEAL AGITATOR CAP (S/P)
1503	WH45X10039	COVER TUB (S/P)
1504	WH45X10040	SEAL-SPLASH TUB COVER (S/P)
1510	WH41X10178	NOZZLE & HOSE ASM (S/P)
1511	WH43X119	AGITATOR (S/P)
1512	WH45X134	TUB SPIN (S/P)
1518	WH45X10018	TUB & BEARING ASM (S/P)
1519	WH4X104	BEARING UPPER SPIN (S/P)
1520	WH1X10100	SCREW 8-12 X 3/4 PPH B (S/P)
1522	WH1X2720	LEG DOME ASM (S/P)
1523	WH1X2624	SPRING VERTICAL (BLUE) (S/P)
1524	WH1X2718	SPRING HORIZONTAL (S/P)
1528	WH7X10009	BELT (S/P)
1529	WH7X10006	PULLEY TRANSMISSION (S/P)
1530	WH7X115	IDLER PULLEY ASM (S/P)
1533	WH1X2616	SPRING TORSION (S/P)
1534	WH1X10045	SLEEVE IDLER PIVOT (S/P)
1535	WH2X1132	RING-RETAINING (S/P)
1536	WH2X1133	WASHER PIVOT SHAFT (S/P)
1537	WH2X1094	WASHER SPRING (S/P)
1538	WH1X10101	HEX NUT (S/P)
1539	WH1X2625	SPRING-VERTICAL (S/P)
1540	WH20X10026	MOTOR 1SPD 1/2HP (S/P)
1541	WH16X529	SHIELD WASHER MOTOR (S/P)
1543	WH23X10031	PUMP DRAIN (S/P)
1549	WH41X10027	HOSE PUMP TO TUB (S/P)
1551	WH1X10102	SCREW (S/P)
1552	WH1X10103	WASHER (S/P)

1558	WH2X10028	SCREW-BRACKET 10-16X.625 (S/P)
1560	WH2X10008	WASHER .21X.71X.06 (S/P)
1562	WH1X2769	BUSHING-DRAIN HOSE (S/P)
2048	WH12X1001	CAPACITOR (S/P)
2126	WH41X10207	HOSE-INLET (S/P)
2127	WH2X10041	HOSE WASHER (S/P)
2169	WH2X10061	FASTENER-RATCHET (S/P)
2236	WH1X2768	CLIP-DRAIN HOSE (S/P)
2236	WH1X2786	CLIP-DRAIN HOSE (S/P)
2244	WH1X10063	RING DRAIN HOSE (S/P)
2304	WH2X1142	SCREW (S/P)
2309	WH1X2549	LOCK PLATE (S/P)
2310	WH17X95	TRUNNION (S/P)
2337	WH2X1009	THRUST WASHER (S/P)
2348	WH2X10031	CLAMP-PUMP (S/P)
2350	WH2X1107	SCREW 5/16-18 X 1 5/8 HX (S/P)
2434	WH2X1111	SLEEVE IDLER (S/P)
2560	WH1X10189	HOSE-DRAIN (S/P)
2621	WH2X10007	SCW #8 PAN HD 10-10BX.50 (S/P)
2747	WH41X10038	PRESSURE TUBE (S/P)

WSM2781WCWW TRANSMISION





WSM2781WCWWW TRANSMISION

1601	WH2X10039	CAP STUD (S/P)
1602	WH40X175	DRIVE HUB (S/P)
1603	WH38X10014	TRANSMISSION ASM (S/P)
1626	WH8X10004	SEAL ASM TUB (S/P)
2424	WH2X10086	DESCONTINUADO
2426	WH2X10040	SCREW (S/P)
2428	WH1X10094	SPACER (S/P)