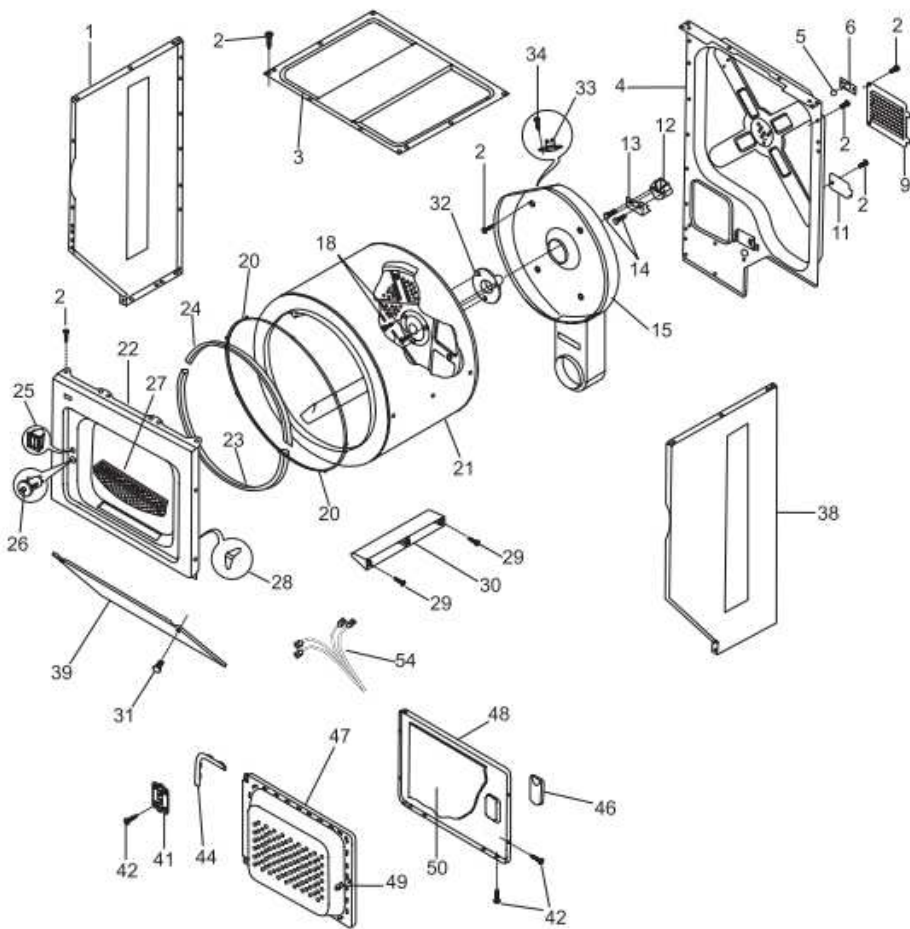


Distribuidor Autorizado

SurteRápido.com

Venta de Refacciones
Electrodomesticas

WSM2782WAWWW TAMBOR





WSM2782WAWWW TAMBOR

1	131084710	PANEL, LEFT SIDE, WHITE (S/P)
2	131168200	SCREW, PAN HEAD, 8-18B X 0.31 (S/P)
3	131883301	PANEL, TOP (S/P)
4	134799902	PANEL, REAR, STEEL, GALVANIZED (S/P)
5	5303281019	BALL (S/P)
6	5303281020	CLIP, BALL, STEEL, FLAT NUT (S/P)
9	3204249	PANEL, MOTOR ACCESS, REAR (S/P)
11	5303207395	COVER, TERMINAL BLOCK (S/P)
12	131825900	BEARING, DRUM SUPPORT
13	131724300	BRACKET, BEARING SUPPORT (S/P)
14	131205400	SCREW, BRACKET MTG (S/P)
15	5303207394	HOUSING, HEATER, W/DUCT & SEAL (S/P)
18	131477000	SCREW, 10-16AB X 0.375 (S/P)
20	131963900	GLIDE, DRUM
21	134122532	DRUM, DRYER, GALVANIZED STL. (S/P)
22	134031600	PANEL, FRONT, WHITE, SVCE KIT W/PLUG (S/P)
22*	131870700	PLUG, LIGHT HOLE (S/P)
23	5303937183	SEAL, FELT, LOWER
24	5303937182	SEAL, FELT, UPPER
25	131658800	DOOR CATCH (S/P)
26	5308001614	SWITCH, DOOR, W/O DRUM LIGHT
27	131359600	LINT TRAP
28	5303281074	CLIP, GUIDE, (3)
29	131382300	SCREW, QUADREX HEAD (S/P)
30	5303201200	VANE, STRAIGHT
31	131202300	SCREW, PPH, 10-16AB X 0.625 (S/P)
32	5303281153	SHAFT, DRUM SUPPORT, BALLHITCH
33	5304406099	THERMOSTAT, SAFETY
34	131243800	SCREW, PAN HD LOCKING, (S/P)
38	131084800	PANEL, RIGHT SIDE, WHITE (S/P)
39	131084402	PANEL, ACCESS, WHITE, FRONT (S/P)

41	134222900	HINGE, DOOR (S/P)
42	131209600	SCREW, FLAT HEAD, 8-18AB X 0.44 (S/P)
44	131129900	GASKET, DOOR SEAL (S/P)
46	131789400	HANDLE, DOOR, WHITE (S/P)
47	131579103	PANEL, INNER DOOR, WHITE (S/P)
48	131789303	PANEL, OUTER DOOR, WHITE (S/P)
49	5303207102	DOOR STRIKE (S/P)
50	134535300	INSULATOR, HEAT SHIELD, OUTER DOOR (S/P)
54	131498900	WIRING HARNESS, DOOR SWITCH, W/O LIGHT (S/P)

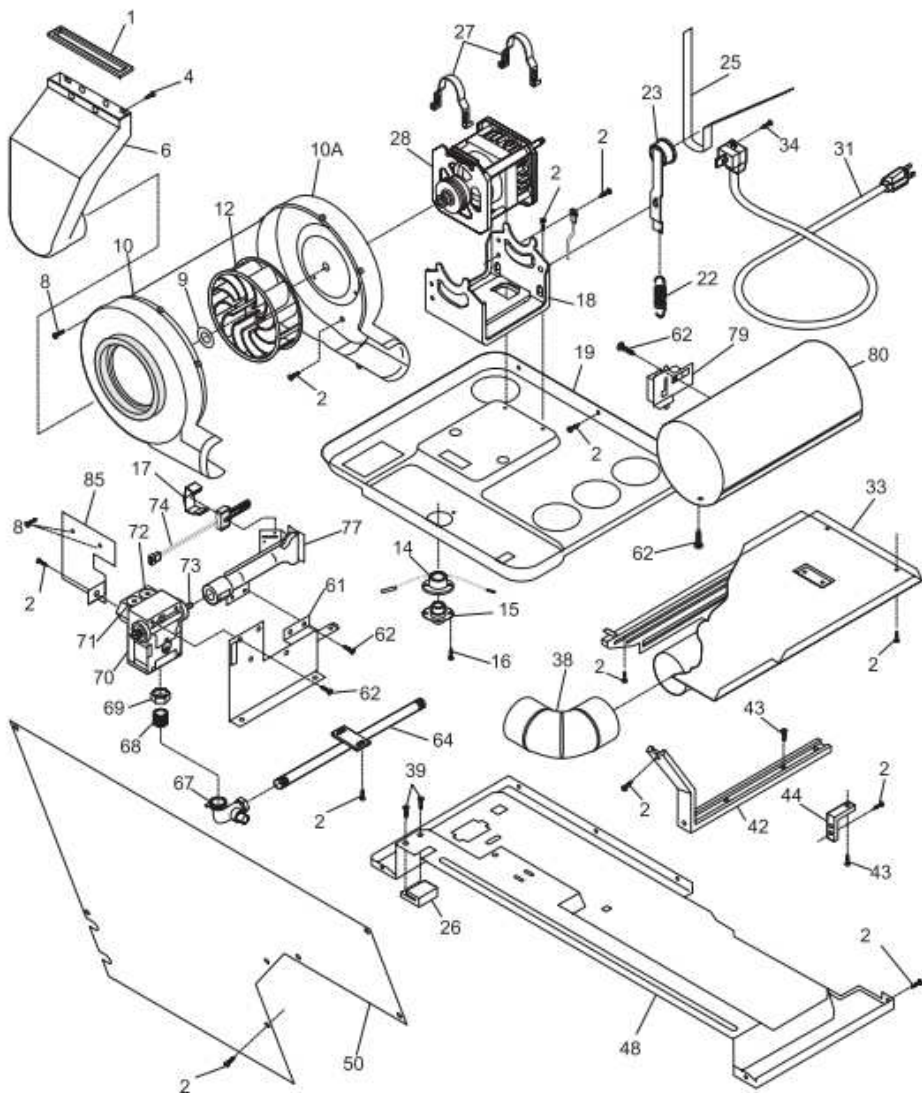
Distribuidor Autorizado

SurteRápido.com

Venta de Refacciones
Electrodomesticas



WSM2782WAWWW MOTOR





WSM2782WAWWW MOTOR

1	131295200	SEAL, AIR DUCT (S/P)
2	131168200	SCREW, PAN HEAD, 8-18B X 0.31 (S/P)
4	131362400	FASTENER, PUSH-IN (S/P)
6	134086300	DUCT, AIR
8	3205245	SCREW, PAN HEAD, 6-18AB X 0.60 (S/P)
9	5303304824	CLAMP
10	131784500	HOUSING, BLOWER, FRONT, WITH SEAL
10A	134145100	HOUSING, BLOWER, REAR (S/P)
12	131476300	BLOWER WHEEL
14	5303207400	THERMOSTAT, HEATER
15	5303306284	THERMOSTAT, CONTROL
16	131311900	SCREW, QUADREX PH, 8-18AB X 0.500 (S/P)
17	131715500	CLIP, IGNITOR MTG (S/P)
18	131413600	CRADLE, MOTOR MOUNT, WITH IDLER STUD (S/P)
19	131363901	PANEL, MOTOR CRADLE MT (S/P)
22	3205241	SPRING, IDLER (S/P)
23	131623300	IDLER ARM ASSY, WITH PULLEY
25	134503900	BELT, DRYER DRIVE
26	5303212870	BLOCK, SUPPORT, BOTTOM PANEL (S/P)
27	134242400	CLAMP, MOTOR MTG. (S/P)
28	134196600	MOTOR, DRYER DRIVE, WITH PULLEY
31	134099900	POWER CORD, ELECTRIC SVCE
33	131731410	SHIELD, ACCESS AREA, COVER (S/P)
34	134154100	SCREW, HEX WASHER HEAD, (S/P)
38	3204320	ELBOW, EXHAUST DUCT (S/P)
39	131205100	SCREW, #8 PAN HEAD, (S/P)
42	3204324	BRACKET, MARRIAGE, INTERIOR (S/P)
43	131751500	SCREW, HEX HEAD, 12-24T 0.63 (S/P)
44	3204326	BRACKET, L MOUNTING, (S/P)
48	131731300	PANEL, DRYER, BOTTOM REAR (S/P)
50	3204329	COVER, SAFETY, LOWER FRONT (S/P)

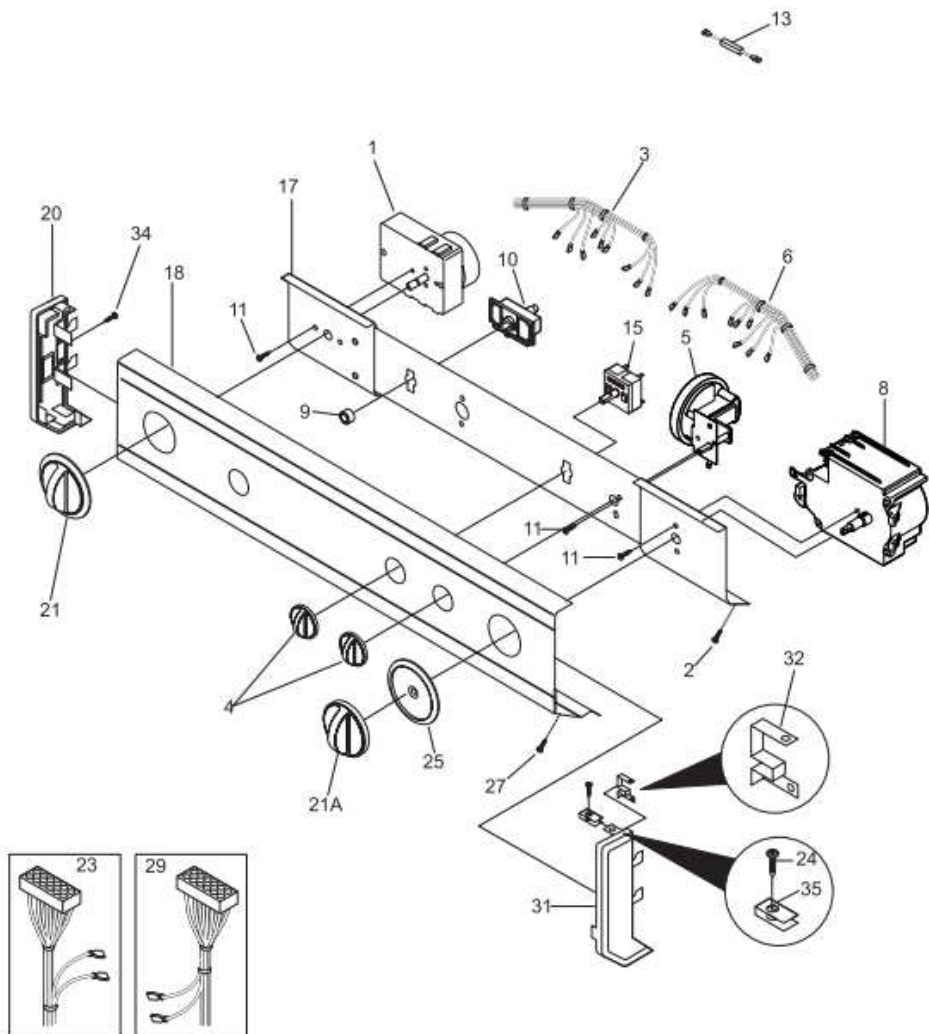
61	5303309493	BRACKET, GAS VALVE MTG (S/P)
62	215822000	SCREW, PAN HEAD, (S/P)
64	134145200	PIPE, GAS (S/P)
67	131498500	VALVE, GAS SHUTOFF (S/P)
68	134185100	TAIL PIECE, COUPLING (S/P)
69	5308015194	UNION, HEX NUT
70	5303207409	VALVE, GAS (S/P)
71	5303931775	SOLENOID, SECONDARY COIL
72	5308015680	SOLENOID, BOOSTER COIL (S/P)
73	5303207410	ORIFICE, NATURAL GAS, SIZE 44 (S/P)
74	WE4X750	IGNITOR ASSY
77	131763500	BURNER, GAS, ADJUSTABLE (S/P)
79	5303281135	SENSOR, RADIANT (S/P)
80	131712401	TUBE, BURNER (S/P)
85	131712300	SHIELD, HEAT (S/P)
* #	PCK3100	LP CONVERSION KIT, NATURAL TO LP

Distribuidor Autorizado

SurteRápido.com

Venta de Refacciones
Electrodomesticas

WSM2782WAWWW TABLERO





WSM2782WAWWW TABLERO

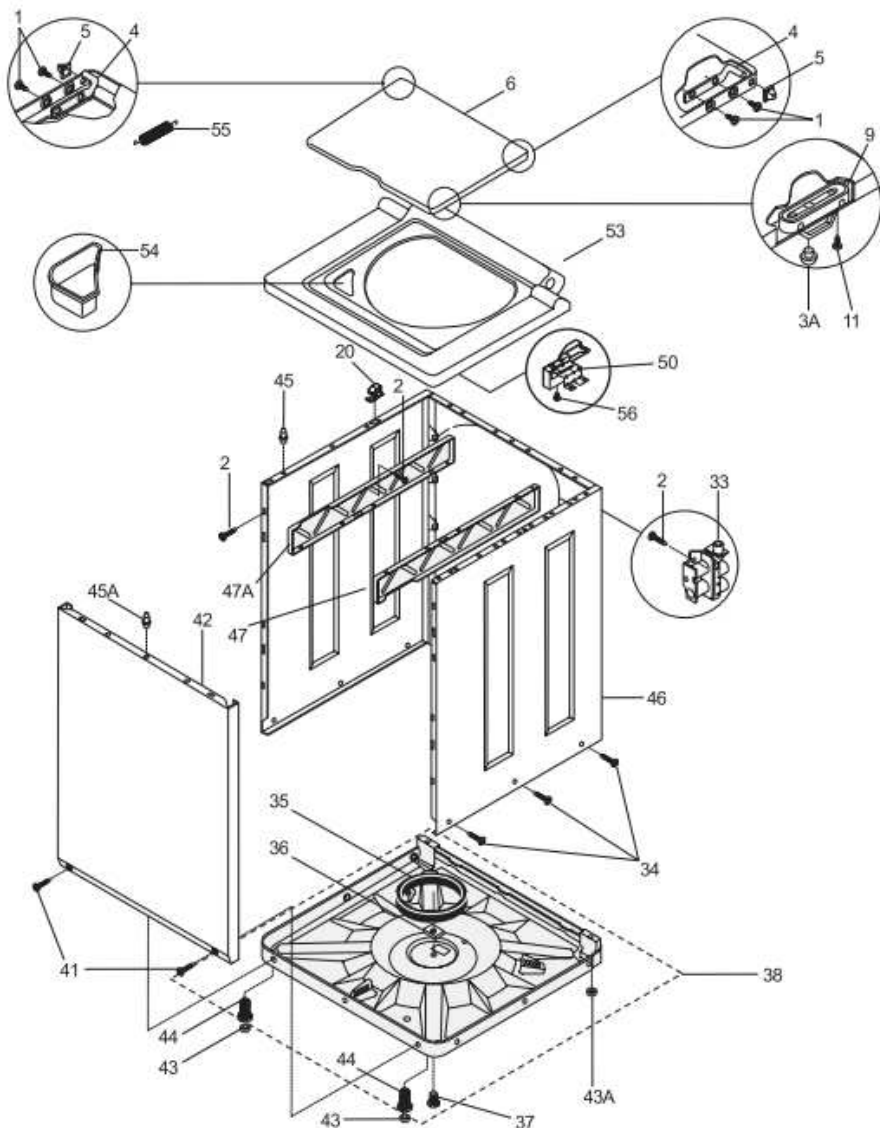
1	131062400	TIMER, DRYER
2	131168200	SCREW, PAN HEAD, 8-18B X 0.31 (S/P)
3	131343300	WIRING HARNESS, DRYER CONTROL (S/P)
4	131858004	KNOB, ROTARY, WHITE/DARK GRAY (S/P)
5	134422700	SWITCH, PRESSURE, 3 POSN, 1/2 HP
5*	131209800	CLAMP, HOSE, PRESSURE SWITCH (S/P)
6	134542500	WIRING HARNESS, (S/P)
8	131758600	TIMER, WASHER
9	131111501	BUTTON, START SWITCH, WHITE, PUSH TYPE (S/P)
10	131628900	SWITCH, PUSH START
11	5303283289	SCREW, CR PAN HEAD, 8-32 X 0.250, (S/P)
13	3205877	RESISTOR, 3 KILOHM (S/P)
15	131620800	SWITCH, TEMP SELECTOR, 3 POSN ROTARY
17	131983410	BRACKET, CONTROL MTG (S/P)
18	131996300	PANEL, TRIMPLATE, CONSOLE FRONT (S/P)
20	131288101	END CAP, WHITE, LH
21	131859104	KNOB, DRYER TIMER, WHITE/DARK GRAY (S/P)
21A	131977001	KNOB, WASHER TIMER, WHITE/DARK GRAY (S/P)
23	131848800	WIRING HARNESS, MAIN (S/P)
24	131209600	SCREW, FLAT HEAD, 8-18AB X 0.44 (S/P)
25	131976702	POINTER, TIMER, WHITE, GRAY INDICATOR (S/P)
27	3205253	SCREW, PAN HEAD, 6-20B X 0.375 (S/P)
29	134113400	WIRING HARNESS, WASHER, LOWER (S/P)
29*	5303161300	STRAP, PLASTIC (S/P)
31	131288211	END CAP, WHITE, RH (S/P)
32	3204357	CLIP, GROUNDING (S/P)
34	131243700	SCREW, PAN HEAD, 8-18AB X 0.375, (S/P)
35	5308014350	CLIP, END CAP MTG, U-TYPE (S/P)

Distribuidor Autorizado

SurteRápido.com

Venta de Refacciones
Electrodomesticas

WSM2782WAWWW GABINETE





WSM2782WAWWW GABINETE

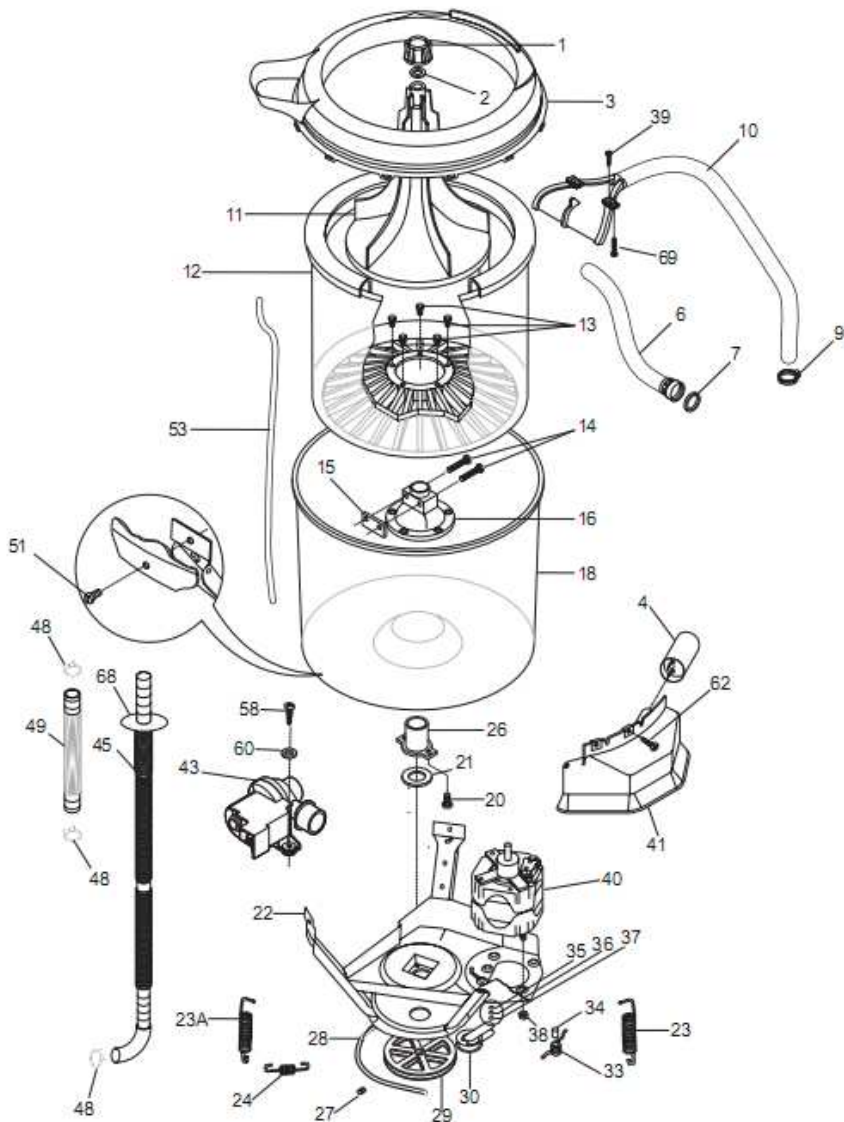
1	134203900	SCREW, PAN HD PHILLIPS, 6-32 X 0.337, (S/P)
2	131168200	SCREW, PAN HEAD, 8-18B X 0.31 (S/P)
3	134075500	BUMPER, LID, FRONT
4	3205250	HINGE BAR (S/P)
5	5303208743	GROMMET, HINGE (S/P)
6	5303212872	LID, WASHER, WHITE (S/P)
9	131390000	LID STRIKE
11	3204368	SCREW, LID STRIKE MTG, 6-20B X 0.375 (S/P)
20	3204374	PIN, SLIDE, SIDE TO TOP (S/P)
33	131900200	VALVE, WATER, 115 V (S/P)
34	131205500	SCREW, CAB BODY, 1/4-14 X 0.625 (S/P)
35	5308002385	SNUBBER RING
36	3204380	SHIPPING BLOCK (S/P)
37	131658900	SCREW, SHIPPING, 1/4-20 X 1.001, (S/P)
38	5303311213	BASE ASSEMBLY
41	131258400	SCREW, 10-16AB X 0.500 (S/P)
42	131104303	PANEL, FRONT, WHITE (S/P)
43	131422100	PAD, LEVELING LEG, FRONT
43A	131422200	PAD, SELF LVLG LEG, REAR (S/P)
44	5303309673	SCREW, LEVELING LEG, WITH PAD
45	131346400	PIN, PANEL LOCATOR, SIDE (S/P)
45A	131346401	PIN, PANEL LOCATOR, FRONT (S/P)
46	134046600	CABINET ASSY, WHITE, BACK AND SIDES (S/P)
47	131106701	BRACKET, MARRIAGE, RH (S/P)
47A	131091001	BRACKET, MARRIAGE, LH (S/P)
50	134101800	LOCK, LID, W/EXT SWITCH
53	134135800	PANEL, WASHER TOP, WHITE (S/P)
54	3204394	DISPENSER, BLEACH (S/P)
55	134890500	SPRING, LID ASSIST
56	215822000	SCREW, PAN HEAD, 8-18AB X 0.375 (S/P)

Distribuidor Autorizado

SurteRápido.com

Venta de Refacciones
Electrodomesticas

WSM2782WAWWW TINAS



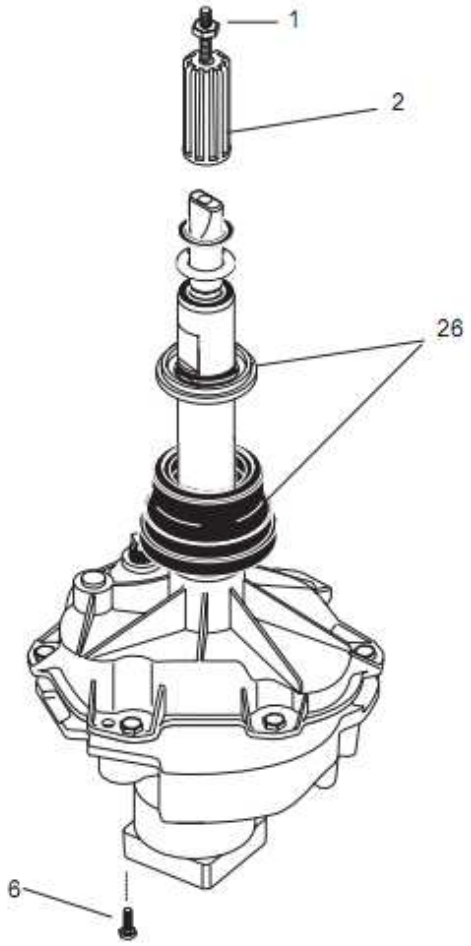
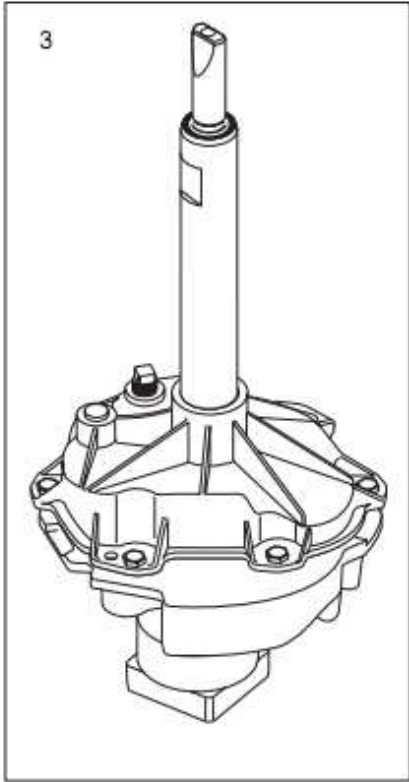


WSM2782WAWWW TINAS

1	3204395	CAP, AGITATOR, STANDARD, SLIM
2	3204396	SEAL, AGITATOR CAP
3	131398303	COVER, SPLASH TUB, WITH SEAL
3*	131901400	Ī SEAL, SPLASH COVER
4 #	131212301	CAPACITOR, MOTOR (S/P)
6	131454100	HOSE, WATER INLET, 4 FT., HOSE & WASHER (S/P)
7	5303161296	WASHER, INLET HOSE (S/P)
9	5303304824	CLAMP
10	134211700	HOSE ASSY, W/NOZZLE, CLAMP
11#	3204401	AGITATOR, STANDARD, SLIM
12	131370400	TUB, SPIN, W/LINT FILTER
13	5303283293	SCREW, TRUNION, 5/16-18 X 0.625, (5)
14	131192800	SCREW, LOCKPLATE, 5/16-18 X 1.625
15	5308001923	PLATE, LOCK
16	131545101	TRUNNION
18	131557201	TUB, SPLASH, W/AIR DOME, BRG (S/P)
20	3205150	SCREW, TUB BEARING, 8-12B X 0.750 (S/P)
21	5308002401	WASHER, SPIN BEARING, UPPER
22	131373610	LEG & DOME ASSY
23	5303208858	SPRING, VERTICAL, SHORT
23*	5303212877	NSERT, SPRING ADJUSTER, VERTICAL
23A	5303208860	SPRING, VERTICAL
24	131373900	SPRING, HORIZONTAL
26#	3204405	BEARING, OUTER TUB
27	5303270023	SCREW, SET, HEX HD CUP, 5/16-18 X 0.85 (S/P)
28#	131686100	V-BELT, WASHER DRIVE, STANDARD 4L
29#	131498300	PULLEY, XMSN DRIVE
30#	131862900	DLER ARM ASSY, VAW, WITH PULLEY
33	3204425	SPRING, TORSIONAL
34	3204426	SLEEVE, IDLER PIVOT
35	3161433	RING, RETAINING

36	5303261031	WASHER, PIVOT SHAFT
37	5303161306	WASHER, SPRING TYPE
38	5303318708	NUT, HEX FLANGE, MOTOR MOUNTING (S/P)
39	131205100	SCREW, #8 PAN HEAD, 10-10B X 0.500, (S/P)
40#	134160700	MOTOR, 3/4 HP, 1 SPEED, WITH PULLEY
41	131513300	SHIELD, MOTOR ASSY, W/SPEED NUTS (S/P)
43#	134051200	PUMP, DRAIN
45	134049200	HOSE, DRAIN
45*	131506500	CLIP, DRAIN HOSE, BACK SHEET, (2) (S/P)
45*	131453000	BUSHING, SNAP-IN, DRAIN HOSE (S/P)
45*	131462500	CLIP, DRAIN HOSE, BASE (S/P)
45*	131663500	CUSHION, DRAIN HOSE, BASE (S/P)
48	131306234	CLAMP, PUMP TO TRAP (S/P)
49#	131494800	HOSE, PUMP TO TUB
51	134164400	SCREW, HEX WASHER HEAD, 5/16-18 X 0.625 (S/P)
53	5304401845	TUBE, PRESSURE, VINYL
58	134160900	SCREW, QUADREX, 10-16AB X 0.750 (S/P)
60	131304300	WASHER, 0.21 X 0.71, 0.06 THICK (S/P)
62	131258400	SCREW, 10-16AB X 0.500 (S/P)
68	131707800	RING, DRAIN HOSE (S/P)
68*	5303309503	CLIP, DRAIN HOSE, BACK SHEET (S/P)
69	131731500	FASTENER, RATCHET (S/P)

WSM2782WAWWW TRANSMISION





WSM2782WAWWW TRANSMISION

1	131206800	STUD, AGITATOR CAP (S/P)
2	134418700	HUB, DRIVE, AGITATOR
3	134588800	TRANSMISSION ASSY, H-HELICAL GEAR
6	134197900	SCREW, HEX WASHER HEAD, 1/4-20 X 0.437 (S/P)
26	5308950197	SEAL ASSY, TUB, TRANSMISSION