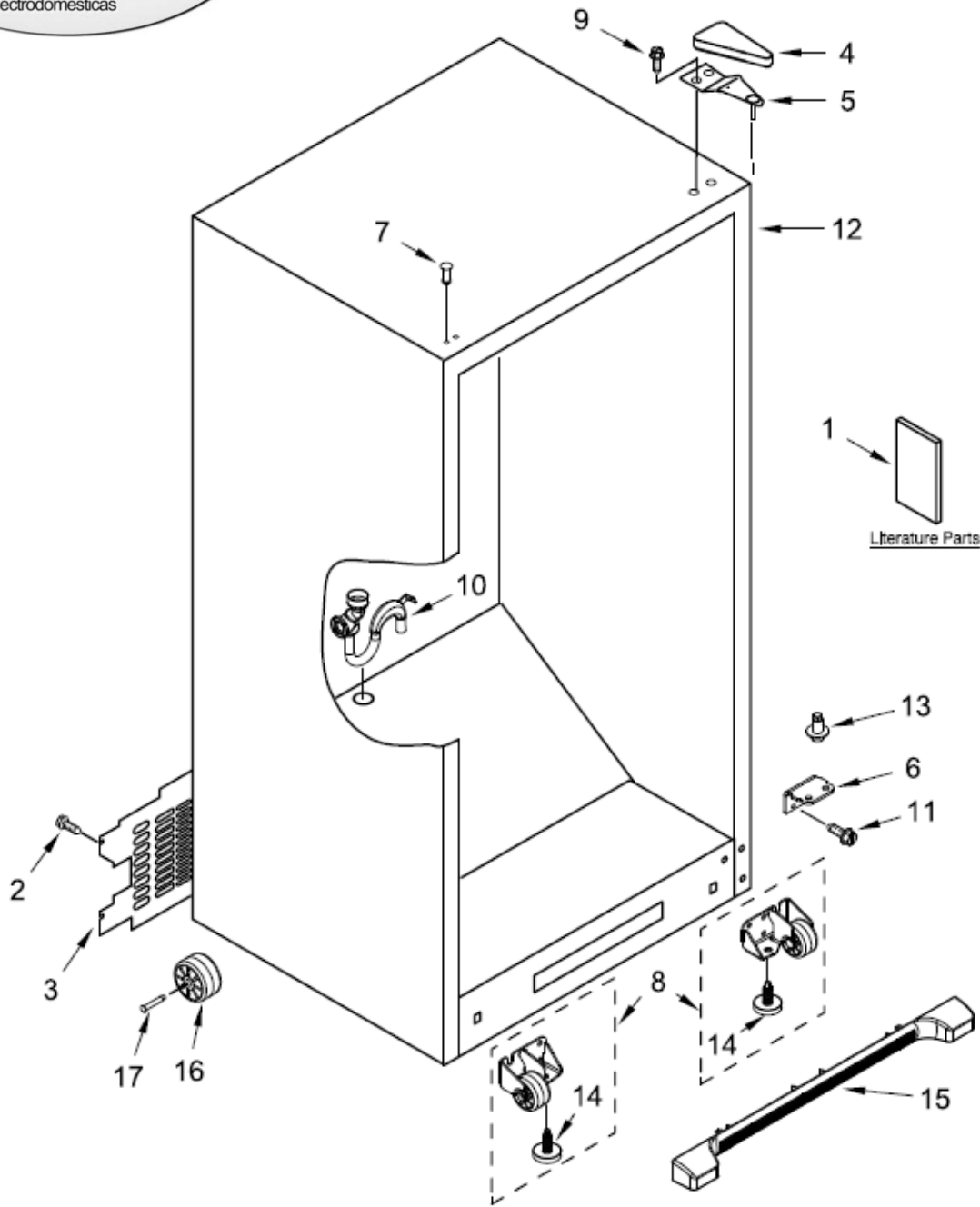


# REFRIGERADOR WSR57R18DM00



## CABINET PARTS

**Illus. No.**   **Part No.**   **Description**

- 1 Literature Parts
- W10668406 Use & Care Guide
- W10574439 Energy Guide
- W10653921 Tech Sheet
- 2 3-80732-014 Screw
- 3 W10574323 Cover, Unit
- 4 Cover, Hinge
- 2213360 White
- 2254510 Grey
- 5 2261963 Assembly, Top Hinge

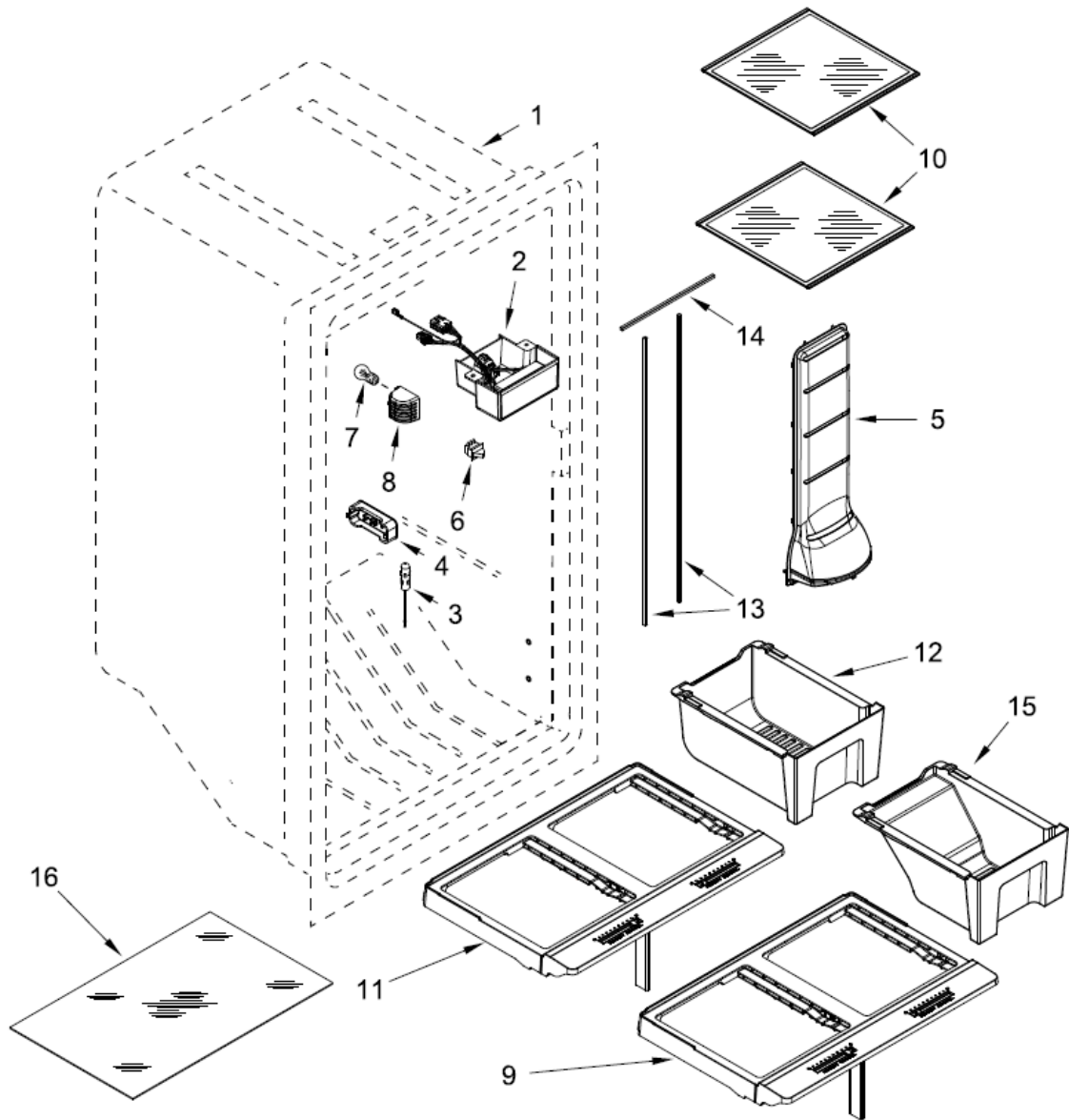
**Illus. No.**   **Part No.**   **Description**

- 6 Hinge Plate, Bottom
- W10574264 White
- W10574262 Grey
- 7 Plug, Hole
- W10520304 White
- W10520307 Grey
- 8 Roller Assembly
- W10515763 Left Hand
- W10515762 Right Hand
- 9 3400113 Screw

**Illus. No.**   **Part No.**   **Description**

- 10 W10717194 Drain Tube
- 11 12991302 Screw
- 12 Cabinet (Not A Serviceable Part)
- 13 W10574325 Hinge Pin, Lower
- 14 W10141622 Brake, Roller
- 15 Grille, Toe
- W10534166 White
- W10534165 Grey
- 16 2150304 Roller
- 17 2179826 Axle, Rivet

# REFRIGERADOR WSR57R18DM00



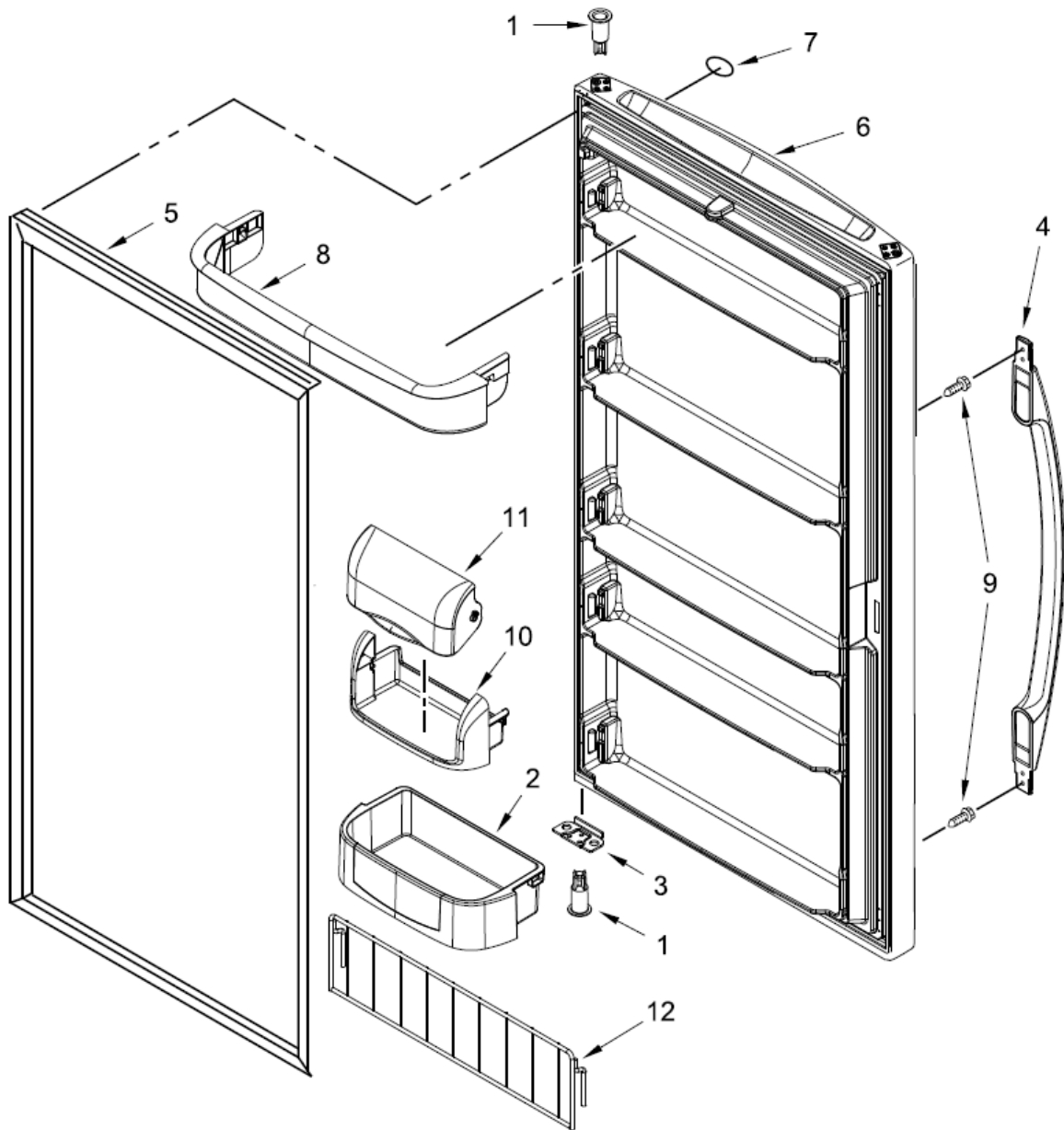
## LINER PARTS

<u>Illus. No.</u>	<u>Part No.</u>	<u>Description</u>
1		Liner (Not A Serviceable Part)
2	W10701911	Control Assembly
3	W10384183	Thermistor, Refrigerator Compartment
4	W10608692	Cover, Thermistor
5	W10574272	Air Tower

<u>Illus. No.</u>	<u>Part No.</u>	<u>Description</u>
6	2-32164-001	Switch, Light
7	W10565137	Lamp, LED
8	W10569269	Lens, Control Box
9	W10581572	Crisper Cover, Top
10	W10569286	Shelf, Deep
11	W10591310	Crisper Cover, Bottom

<u>Illus. No.</u>	<u>Part No.</u>	<u>Description</u>
12	W10654386	Crisper Pan, Top
13	W10574368	Gasket, Air Tower (Vertical)
14	W10574564	Gasket, Air Tower (Horizontal)
15	W10654387	Crisper Pan, Bottom
16	W10581574	Glass, Crisper

# REFRIGERADOR WSR57R18DM00



## DOOR PARTS

**Illus. No. Part No. Description**

- 1 2314293 Thimble
- 2 W10371194 Bucket, Medium
- W10351081 Bucket, Small
- 3 W10628869 Bracket, Door Stop
- 4 Handle, Door
- W10635689 Stainless
- 5 Gasket, Door
- W10574474 White
- W10574476 Grey

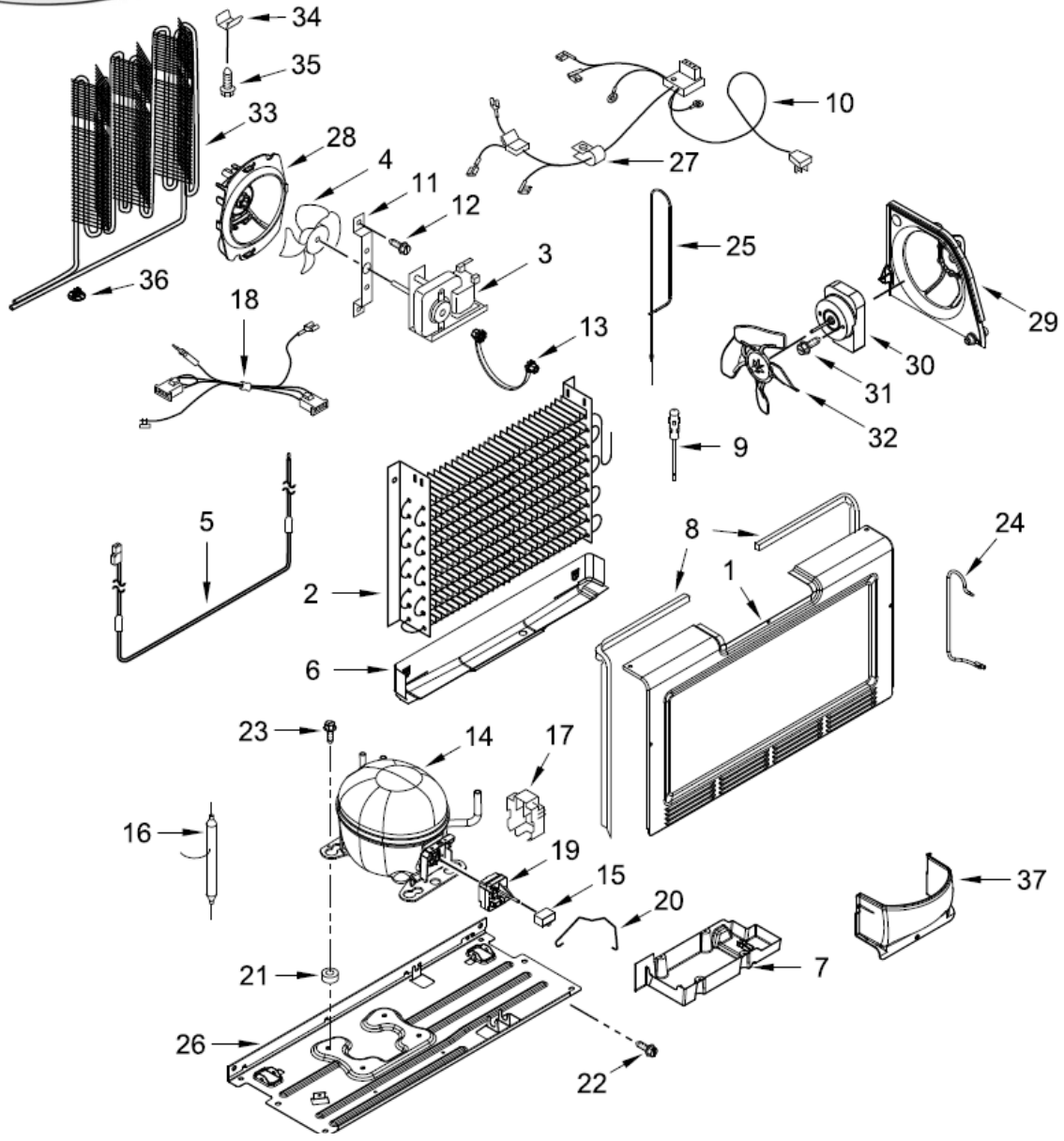
**Illus. No. Part No. Description**

- 6 Door Assembly
- W10578906 White
- W10578907 Stainless
- 7 Nameplate
- W10481434 White
- W10481433 Grey
- 8 12557904 Retainer, Door
- 9 W10460893 Screw
- 10 12369502 Tray, Dairy

**Illus. No. Part No. Description**

- 11 W10612074 Lid
- 12 W10574673 Door, Pizza Shelf

# REFRIGERADOR WSR57R18DM00



## UNIT PARTS

Illus. No.	Part No.	Description
1	W10574307	Cover, Evaporator
2	W10574283	Evaporator
3	W10359880	Fan Motor
4	2169142	Blade, Fan
5	W10316428	Heater, Defrost
6	W10314195	Shield, Heat
7	W10574291	Drain Pan, Evaporator
8	W10574305	Gasket, Evaporator Cover
9	W10383615	Thermistor, Freezer Evaporator
10	W10572628	Wire Harness (Includes Power Cord)
11	13058002	Clip, Evaporator Motor
12	3-80732-014	Screw
13	W10150583	Grommet, Fan Motor

Illus. No.	Part No.	Description
14	W10591673	Compressor
15	W10350564	Capacitor
16	W10177049	Drier
17	W10574450	Shield, Capacitor
18	W10693200	Harness, Evaporator Fan
19	W10591671	Start Device
20	W10574470	Bale Strap
21	2183042	Grommet
22	W10142287	Bolt
23	489473	Screw
24	W10574571	Suction Tube
25	W10574281	Exchanger, Heat
26	W10574278	Pan, Compressor
27	549193	Clamp, Power Cord

Illus. No.	Part No.	Description
28	W10574469	Shroud, Evaporator Fan
29	2315541	Bracket, Condenser Fan
30	2188875	Motor, Condenser
31	8533961	Screw
32	W10139483	Blade, Fan
33	W10574289	Condenser
34	W10248621	Clip, Condenser
35	W10142294	Screw
36	W10296661	Clip, Bottom Cover
37	W10574274	Cover, Evaporator Fan

REFRIGERANT  
 CHARGE  
 4.75 oz. (R-134A)