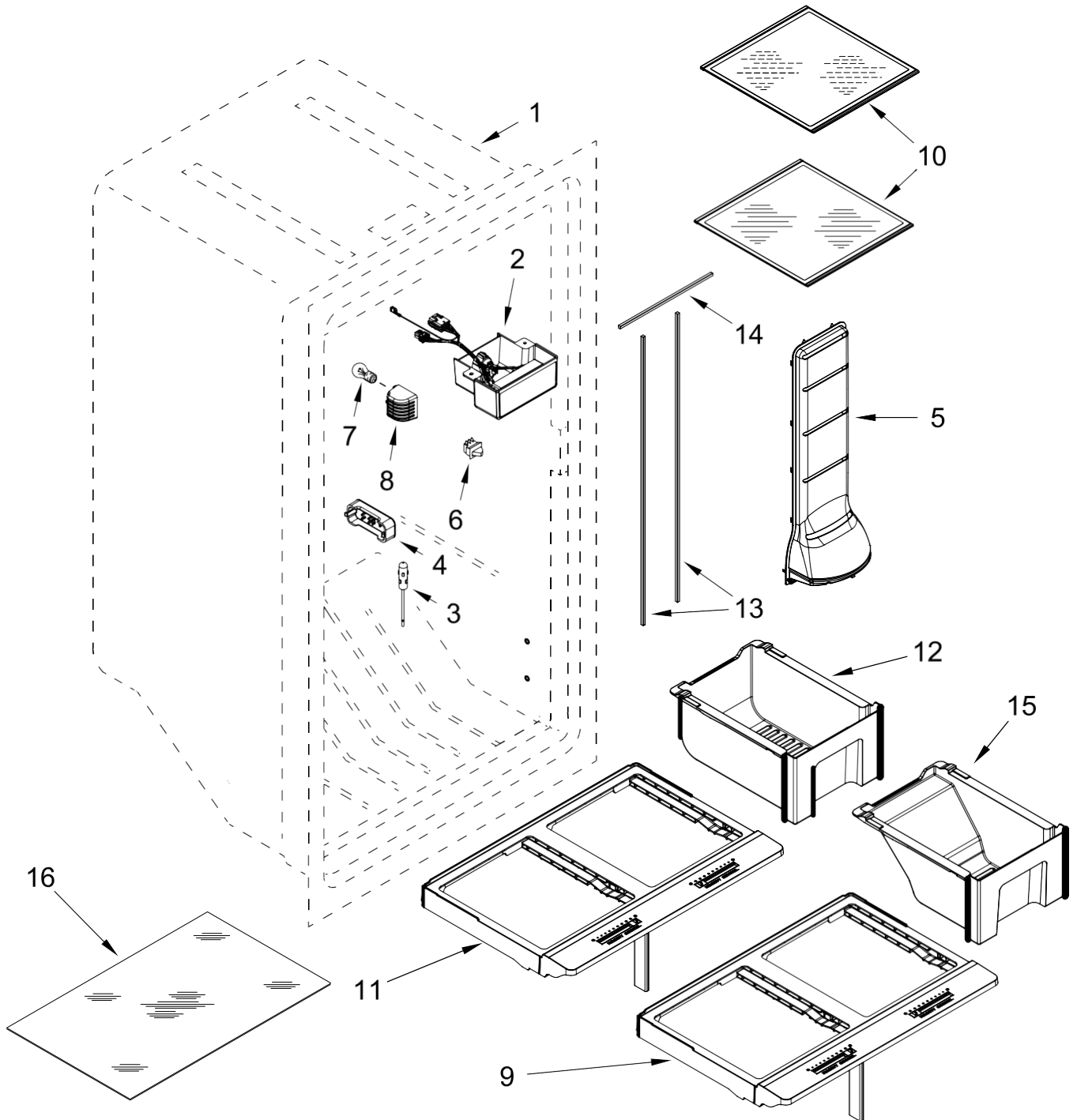




Refrigerador Whirlpool WSR57R18DM01

| <u>Illus.</u> <u>No.</u> | <u>Part No.</u> | <u>Description</u> | <u>Illus.</u> <u>No.</u> | <u>Part No.</u> | <u>Description</u> | <u>Illus.</u> <u>No.</u> | <u>Part No.</u> | <u>Description</u> |
|-----------------------------|-----------------|---------------------|-----------------------------|-----------------|----------------------------------|-----------------------------|-----------------|--------------------|
| 1 | | Literature Parts | 7 | | Plug, Hole | 15 | | Grille, Toe |
| | W10882914 | Use & Care Guide | | W10520307 | Grey | | W10534165 | Grey |
| | W11115751 | Energy Guide | 8 | | Roller Assembly | 16 | 2150304 | Roller |
| | W10653921 | Tech Sheet | | W10515763 | Left Hand | 17 | 2179826 | Axle, Rivet |
| 2 | 3-80732-014 | Screw | | W10515762 | Right Hand | | | |
| 3 | W10574323 | Cover, Unit | 9 | 3400113 | Screw | | | |
| 4 | | Cover, Hinge | 10 | W10717194 | Drain Tube | | | |
| | 2254510 | Grey | 11 | W10709365 | Screw | | | |
| 5 | 2261963 | Assembly, Top Hinge | 12 | | Cabinet (Not A Serviceable Part) | | | |
| 6 | | Hinge Plate, Bottom | 13 | W10574325 | Hinge Pin, Lower | | | |
| | W10574262 | Grey | 14 | W10141622 | Brake, Roller | | | |



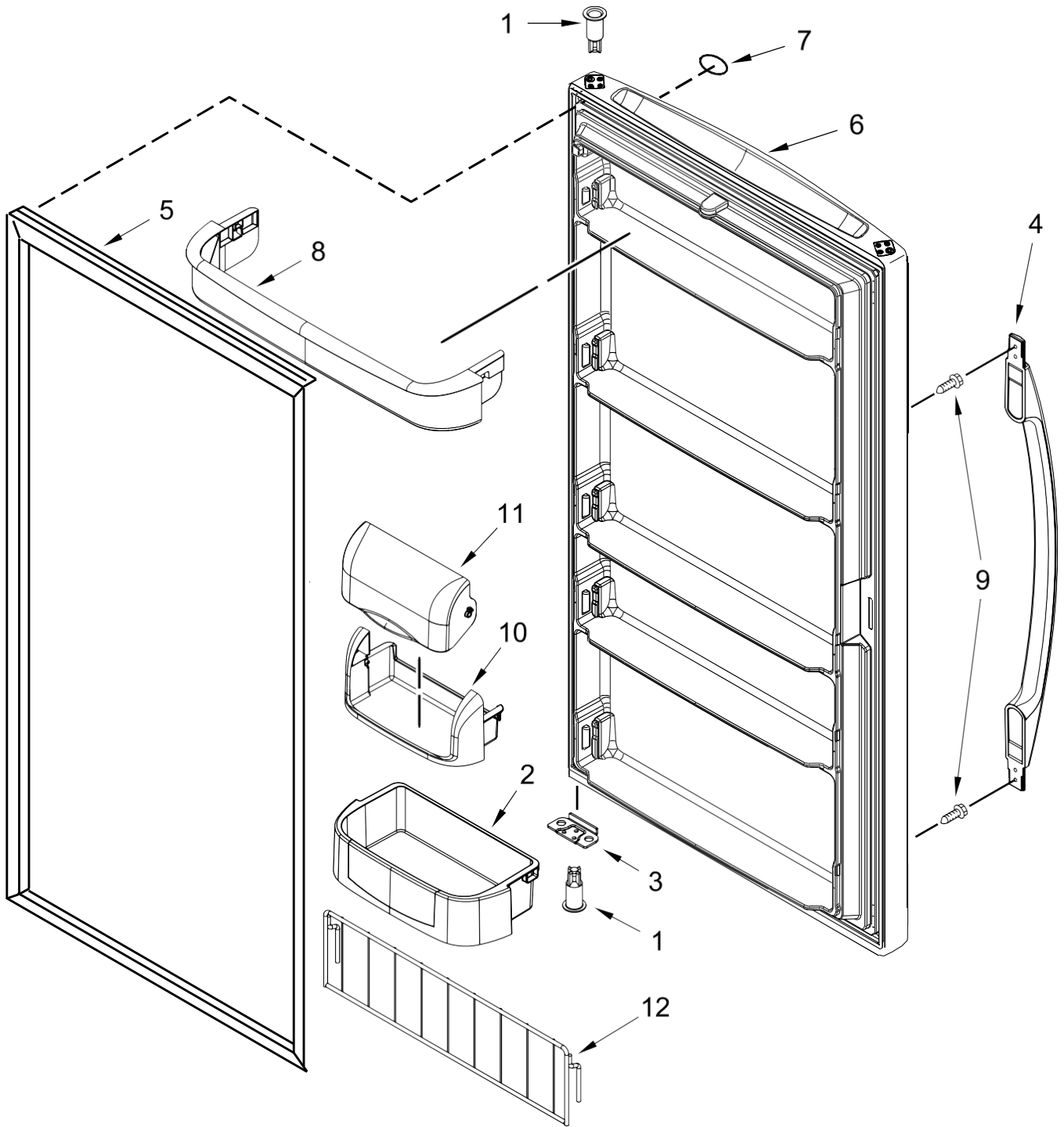


Refrigerador Whirlpool WSR57R18DM01

| <u>Illus. No.</u> | <u>Part No.</u> | <u>Description</u> |
|-------------------|-----------------|--------------------------------|
| 1 | | Liner (Not A Serviceable Part) |
| 2 | W10701911 | Control Assembly |
| 3 | W10384183 | Thermistor |
| 4 | W10608692 | Cover, Thermistor |
| 5 | W10574272 | Air Tower |
| 6 | W10755325 | Switch, Light |

| <u>Illus. No.</u> | <u>Part No.</u> | <u>Description</u> |
|-------------------|-----------------|-----------------------|
| 7 | W10820003 | Lamp, Led |
| 8 | W10569269 | Lens, Control Box |
| 9 | W10581572 | Crisper Cover, Top |
| 10 | W10569286 | Shelf, Deep |
| 11 | W10591310 | Crisper Cover, Bottom |
| 12 | W10654386 | Crisper Pan, Top |

| <u>Illus. No.</u> | <u>Part No.</u> | <u>Description</u> |
|-------------------|-----------------|--------------------------------|
| 13 | W10574368 | Gasket, Air Tower (Vertical) |
| 14 | W10574564 | Gasket, Air Tower (Horizontal) |
| 15 | W10654387 | Crisper Pan, Bottom |
| 16 | W10581574 | Glass, Crisper |



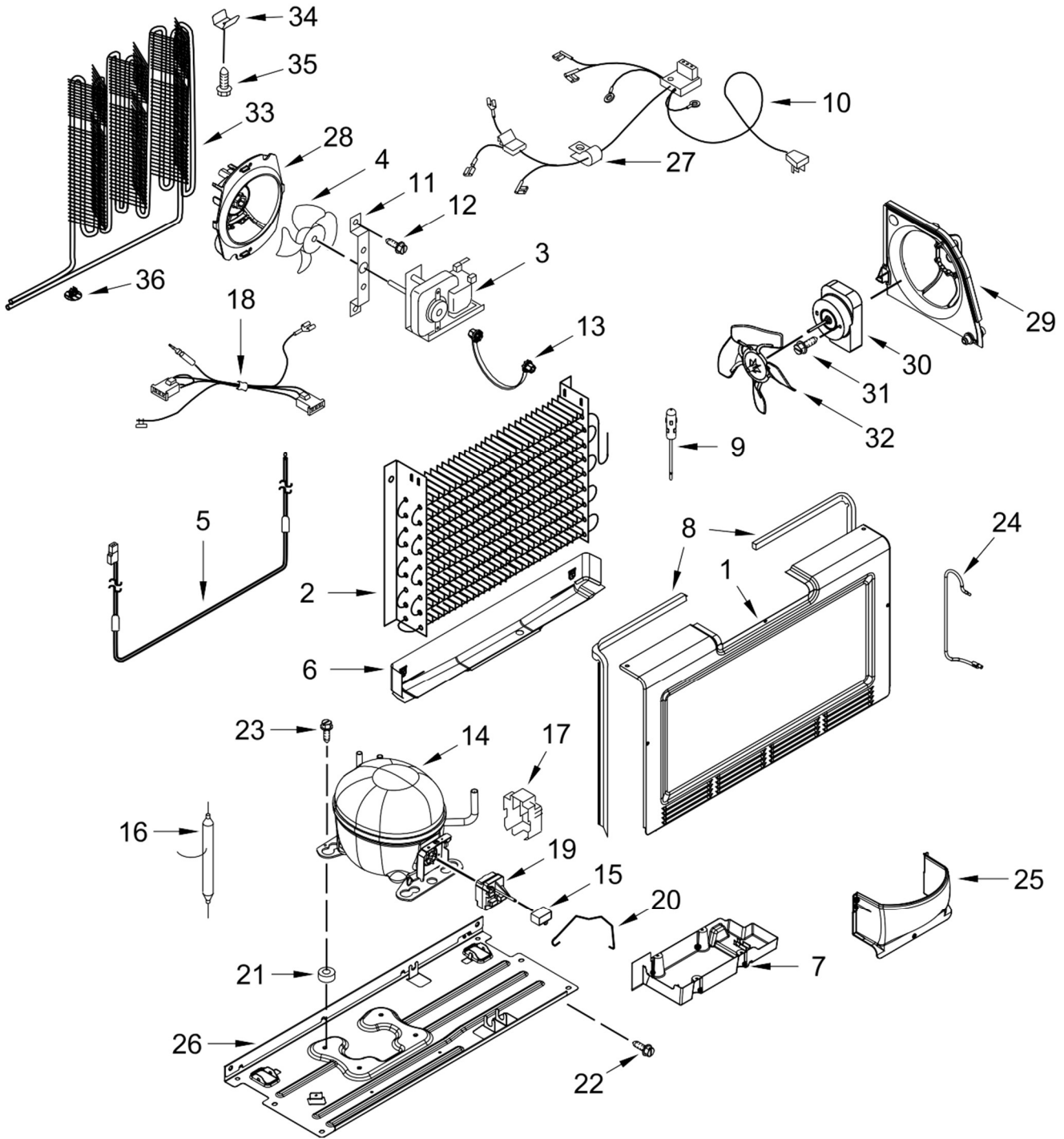


Refrigerador Whirlpool WSR57R18DM01

| <u>Illus. No.</u> | <u>Part No.</u> | <u>Description</u> |
|-------------------|-----------------|--------------------|
| 1 | 2314293 | Thimble |
| 2 | W10371194 | Bucket, Medium |
| | W10351081 | Bucket, Small |
| 3 | W10628869 | Bracket, Door Stop |
| 4 | | Handle, Door |
| | W10635689 | Stainless |
| 5 | | Gasket, Door |
| | W10574476 | Grey |

| <u>Illus. No.</u> | <u>Part No.</u> | <u>Description</u> |
|-------------------|-----------------|--------------------|
| 6 | | Door Assembly |
| | W10578907 | Stainless |
| 7 | | Nameplate |
| | W10481433 | Grey |
| 8 | 12557904 | Retainer, Door |
| 9 | W10460893 | Screw |
| 10 | 12369502 | Tray, Dairy |

| <u>Illus. No.</u> | <u>Part No.</u> | <u>Description</u> |
|-------------------|-----------------|--------------------|
| 11 | W10612074 | Lid |
| 12 | W10574673 | Door, Pizza Shelf |





Refrigerador Whirlpool WSR57R18DM01

| <u>Illus.</u> <u>No.</u> | <u>Part No.</u> | <u>Description</u> | <u>Illus.</u> <u>No.</u> | <u>Part No.</u> | <u>Description</u> | <u>Illus.</u> <u>No.</u> | <u>Part No.</u> | <u>Description</u> | |
|-----------------------------|-----------------|--------------------|------------------------------------|-----------------|--------------------|-----------------------------|-----------------|--------------------|--------------------|
| | 1 | W10574307 | Cover, Evaporator | 15 | W10350564 | Capacitor | 30 | 2188875 | Motor, Condenser |
| | 2 | W10574283 | Evaporator | 16 | W10177049 | Drier | 31 | 8533961 | Screw |
| | 3 | W10359880 | Fan Motor | 17 | W10574450 | Shield, Capacitor | 32 | W10139483 | Blade, Fan |
| | 4 | 2169142 | Blade, Fan | 18 | W10693200 | Harness, Evaporator Fan | 33 | W10574289 | Condenser |
| | 5 | W10316428 | Heater, Defrost | 19 | W10796752 | Device, Start | 34 | W10248621 | Clip, Condenser |
| | 6 | W10314195 | Shield, Heat | 20 | W10574470 | Bale Strap | 35 | W10142294 | Screw |
| | 7 | W10574291 | Drain Pan, Evaporator | 21 | 2183042 | Grommet | 36 | W10815861 | Clip, Bottom Cover |
| | 8 | W10574305 | Gasket, Evaporator Cover | 22 | W10142287 | Bolt | | | REFRIGERANT CHARGE |
| 9 | | W10383615 | Thermistor, Evaporator | 23 | 489473 | Screw | | | 4.75 oz. (R-134A) |
| | 10 | W10572628 | Wire Harness (Includes Power Cord) | 24 | W10861955 | Suction Tube | | | |
| | 11 | 13058002 | Clip, Evaporator Motor | 25 | W10574274 | Cover, Evaporator Fan | | | |
| | 12 | 3-80732-014 | Screw | 26 | W10574278 | Pan, Compressor | | | |
| | 13 | W10150583 | Grommet, Fan Motor | 27 | 549193 | Clamp, Power Cord | | | |
| | 14 | W11034254 | Compressor | 28 | W10574469 | Shroud, Evaporator Fan | | | |
| | | | | 29 | 2315541 | Bracket, Condenser Fan | | | |

OPTIONAL PARTS (NOT INCLUDED)

PAINT, PRESSURIZED SPRAY (12 OZ.)

| <u>Illus. No.</u> | <u>Part No.</u> | <u>Description</u> |
|-------------------|-----------------|--------------------|
| | 350942 | White Primer |
| | 350939 | Enamel, Black |
| | 350930 | White |
| | 8171357 | Graphite |

PAINT, TOUCH-UP (1/2OZ.)

| <u>Illus. No.</u> | <u>Part No.</u> | <u>Description</u> |
|-------------------|-----------------|--------------------|
| | 72017 | White |
| | 72032 | Black |
| | 80051 | Graphite |
| | W10134625 | Apollo Grey |

PAINT, BULK (1 QT.)

| <u>Illus. No.</u> | <u>Part No.</u> | <u>Description</u> |
|-------------------|-----------------|--------------------|
| | 799344 | White (Uncut) |
| | 8171358 | Graphite |

MISCELLANEOUS

| <u>Illus. No.</u> | <u>Part No.</u> | <u>Description</u> |
|-------------------|-----------------|---------------------------------|
| | 212643 | Sealer, Gum (4 Feet) |
| | 479502 | Tape, Vinyl (3/4 x 108") |
| | 505587 | Sealer, Mastic (1 Qt) |
| | 503695 | Cork, Sealer |
| | 542638 | Grease, Silicone (1/2 Oz.) |
| | 542639 | Cement, Alumilastic (1 1/4 Oz.) |
| | 833938 | Kit, Terminal Connector |

TORX SCREW WRENCH

| <u>Illus. No.</u> | <u>Part No.</u> | <u>Description</u> |
|-------------------|-----------------|--------------------|
| | 1117510 | Torx Key |