

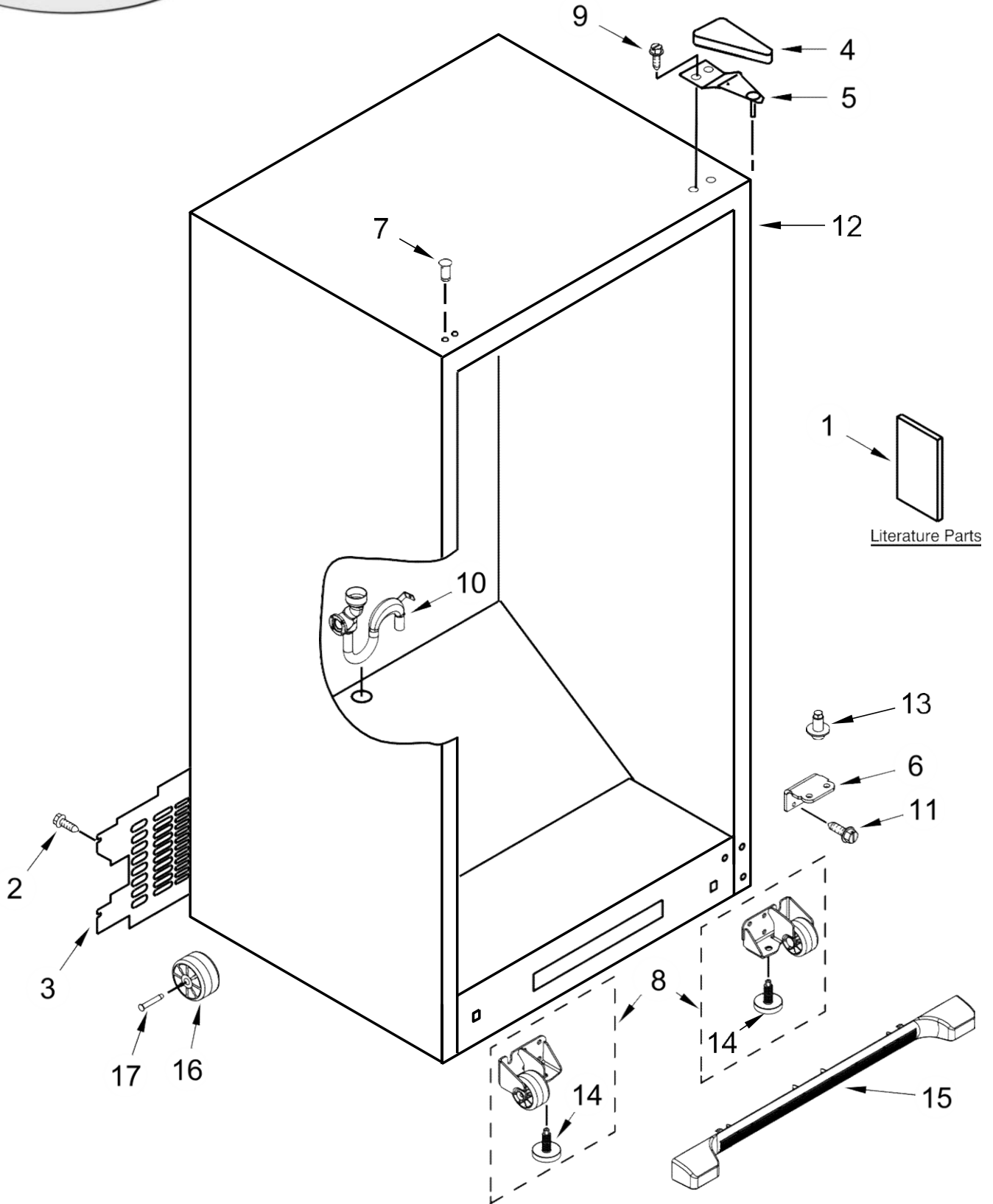


VERTICAL FREEZER

MODELS:

WSZ57L18DM02 (White)

REFRIGERADOR WSZ57L18DM02



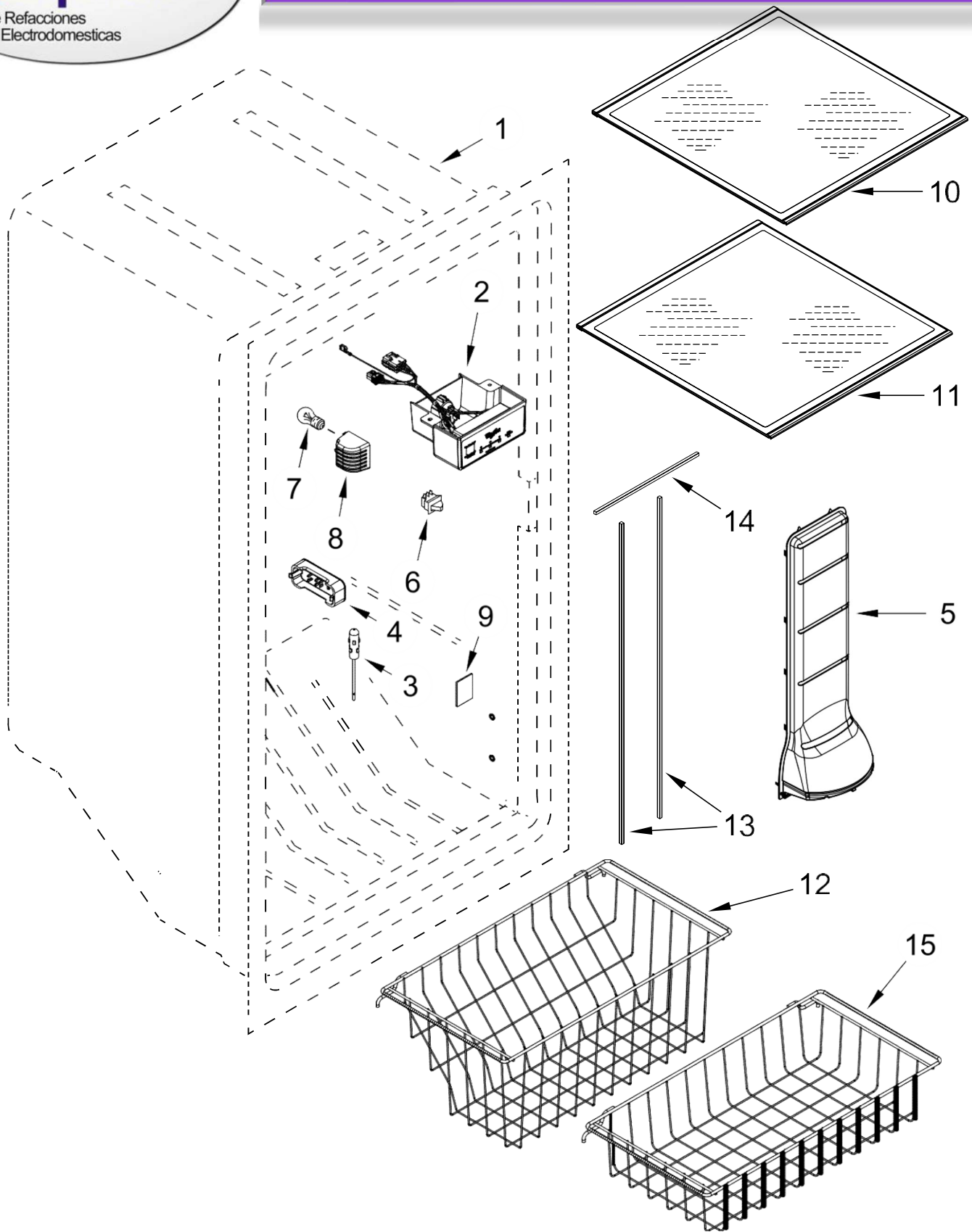
REFRIGERADOR WSZ57L18DM02

| <u>Illus. No.</u> | <u>Part No.</u> | <u>Description</u> |
|-------------------|-----------------|---------------------|
| 1 | | Literature Parts |
| | W10882913 | Use & Care Guide |
| | W11115659 | Energy Guide |
| | W10653921 | Tech Sheet |
| 2 | 3-80732-014 | Screw |
| 3 | W10574323 | Cover, Unit |
| 4 | | Cover, Hinge |
| | 2254510 | Grey |
| 5 | 2261963 | Assembly, Top Hinge |
| 6 | | Hinge Plate, Bottom |
| | W10574262 | Grey |

| <u>Illus. No.</u> | <u>Part No.</u> | <u>Description</u> |
|-------------------|-----------------|----------------------------------|
| 7 | | Plug, Hole |
| | W10520307 | Grey |
| 8 | | Roller Assembly |
| | W10515763 | Left Hand |
| | W10515762 | Right Hand |
| 9 | 3400113 | Screw |
| 10 | W10717194 | Drain Tube |
| 11 | W10709365 | Screw |
| 12 | | Cabinet (Not A Serviceable Part) |
| 13 | W10574325 | Hinge Pin, Lower |
| 14 | W10141622 | Brake, Roller |

| <u>Illus. No.</u> | <u>Part No.</u> | <u>Description</u> |
|-------------------|-----------------|--------------------|
| 15 | | Grille, Toe |
| | W10534165 | Grey |
| 16 | 2150304 | Roller |
| 17 | 2179826 | Axle, Rivet |

REFRIGERADOR WSZ57L18DM02



REFRIGERADOR WSZ57L18DM02

Illus.
No. Part No. Description

| | | |
|---|-----------|--------------------------------|
| 1 | | Liner (Not A Serviceable Part) |
| 2 | W11130831 | Control Assembly |
| 3 | W10384183 | Thermistor |
| 4 | W10608692 | Cover, Thermistor |
| 5 | W10574272 | Air Tower |
| 6 | W10755325 | Switch, Light |
| 7 | W10820003 | Lamp, LED |

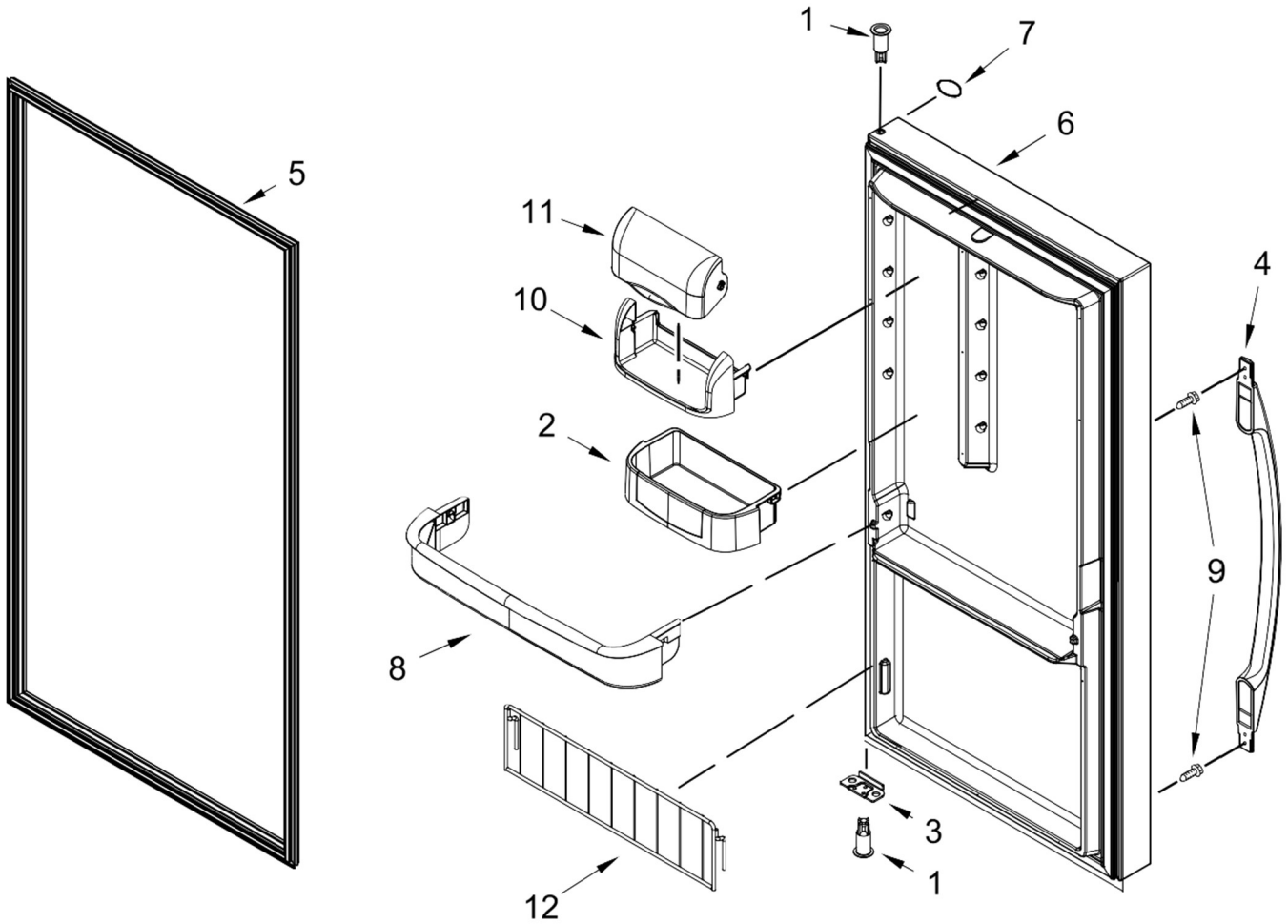
Illus.
No. Part No. Description

| | | |
|----|-------------|------------------------------|
| 8 | W10569269 | Lens, Control Box |
| 9 | 1-60123-001 | Cover, Icemaker Hole |
| 10 | W10569286 | Shelf, Deep |
| 11 | W10569287 | Shelf, Shallow |
| 12 | W10736043 | Basket, Deep |
| 13 | W10574368 | Gasket, Air Tower (Vertical) |

Illus.
No. Part No. Description

| | | |
|----|-----------|---------------------------------|
| 14 | W10574564 | Gasket, Air Tower (Horizontal) |
| 15 | W10736055 | Basket, Shallow |
| | | FOLLOWING PARTS NOT ILLUSTRATED |
| | W10715708 | Ice Maker Assembly (ECKMF95) |

REFRIGERADOR WSZ57L18DM02



REFRIGERADOR WSZ57L18DM02

Illus.
No. Part No. Description

| | | |
|---|-----------|--------------------|
| 1 | 2314293 | Thimble |
| 2 | W10371194 | Bucket, Medium |
| | W10351081 | Bucket, Small |
| 3 | W10628869 | Bracket, Door Stop |
| 4 | | Handle, Door |
| | W10635689 | Stainless |
| 5 | | Gasket, Door |
| | W10574476 | Grey |

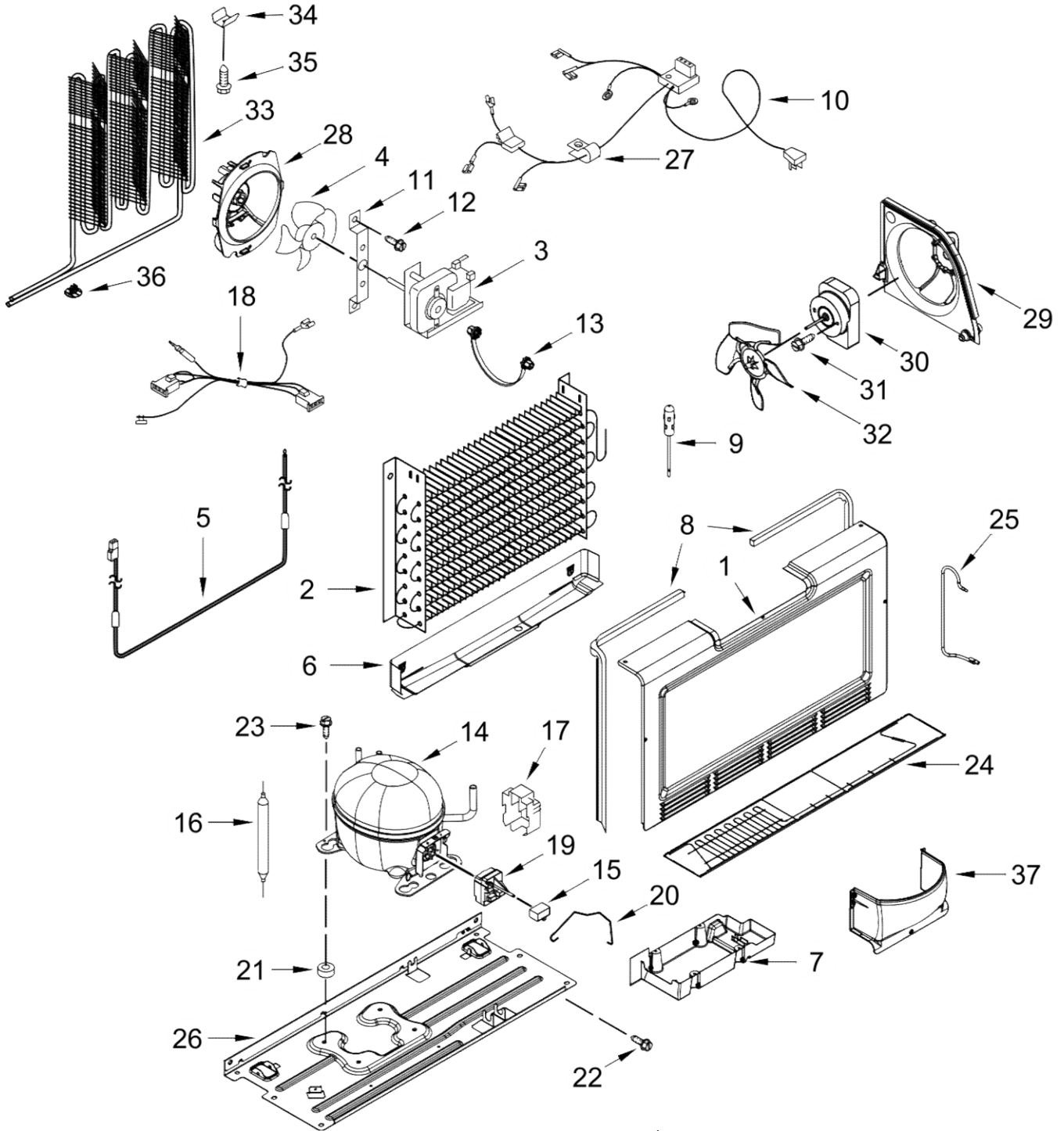
Illus.
No. Part No. Description

| | | |
|----|-----------|----------------|
| 6 | | Door Assembly |
| | W10578905 | Stainless |
| 7 | | Nameplate |
| | W10481433 | Grey |
| 8 | 12557904 | Retainer, Door |
| 9 | W10460893 | Screw |
| 10 | 12369502 | Tray, Dairy |

Illus.
No. Part No. Description

| | | |
|----|-----------|-------------------|
| 11 | W10612074 | Lid |
| 12 | W10574673 | Door, Pizza Shelf |

REFRIGERADOR WSZ57L18DM02



REFRIGERADOR WSZ57L18DM02

| <u>Illus. No.</u> | <u>Part No.</u> | <u>Description</u> | <u>Illus. No.</u> | <u>Part No.</u> | <u>Description</u> | <u>Illus. No.</u> | <u>Part No.</u> | <u>Description</u> |
|-------------------|-----------------|------------------------------------|-------------------|-----------------|-------------------------|-------------------|-----------------|------------------------|
| 1 | W10574307 | Cover, Evaporator | 14 | W10591684 | Compressor | 28 | W10574469 | Shroud, Evaporator Fan |
| 2 | W10574283 | Evaporator | 15 | W10350564 | Capacitor | 29 | 2315541 | Bracket, Condenser Fan |
| 3 | W10359880 | Fan Motor | 16 | W10709968 | Drier | 30 | 2188875 | Motor, Condenser |
| 4 | 2169142 | Blade, Fan | 17 | W10574450 | Shield, Capacitor | 31 | 8533961 | Screw |
| 5 | W10316428 | Heater, Defrost | 18 | W11103760 | Harness, Evaporator Fan | 32 | W10139483 | Blade, Fan |
| 6 | W10314195 | Shield, Heat | 19 | W10814820 | Device, Start | 33 | W10574289 | Condenser |
| 7 | W10574291 | Drain Pan, Evaporator | 20 | W10574470 | Bale Strap | 34 | W10248621 | Clip, Condenser |
| 8 | W10574305 | Gasket, Evaporator Cover | 21 | 2183042 | Grommet | 35 | W10142294 | Screw |
| 9 | W10383615 | Thermistor, Evaporator | 22 | W10142287 | Bolt | 36 | W10815861 | Clip, Bottom Cover |
| 10 | W11115769 | Wire Harness (Includes Power Cord) | 23 | 489473 | Screw | 37 | W10574274 | Cover, Evaporator Fan |
| 11 | 13058002 | Clip, Evaporator Motor | 24 | W10682882 | Condenser Assembly | | | REFRIGERANT CHARGE |
| 12 | 3-80732-014 | Screw | 25 | W10861955 | Suction Tube | | | 4.75 oz. (R-134A) |
| 13 | W10150583 | Grommet, Fan Motor | 26 | W10574278 | Pan, Compressor | | | |
| | | | 27 | 549193 | Clamp, Power Cord | | | |

OPTIONAL PARTS (NOT INCLUDED)

PAINT, PRESSURIZED SPRAY (12 OZ.)

| <u>Illus. No.</u> | <u>Part No.</u> | <u>Description</u> |
|-------------------|-----------------|--------------------|
| | 350942 | White Primer |
| | 350939 | Enamel, Black |
| | 350930 | White |
| | 8171357 | Graphite |

PAINT, TOUCH-UP (1/2OZ.)

| <u>Illus. No.</u> | <u>Part No.</u> | <u>Description</u> |
|-------------------|-----------------|--------------------|
| | 72017 | White |
| | 72032 | Black |
| | 80051 | Graphite |
| | W10134625 | Apollo Grey |

PAINT, BULK (1 QT.)

| <u>Illus. No.</u> | <u>Part No.</u> | <u>Description</u> |
|-------------------|-----------------|--------------------|
| | 799344 | White (Uncut) |
| | 8171358 | Graphite |

MISCELLANEOUS

| <u>Illus. No.</u> | <u>Part No.</u> | <u>Description</u> |
|-------------------|-----------------|---------------------------------|
| | 212643 | Sealer, Gum (4 Feet) |
| | 479502 | Tape, Vinyl (3/4 x 108") |
| | 505587 | Sealer, Mastic (1 Qt) |
| | 503695 | Cork, Sealer |
| | 542638 | Grease, Silicone (1/2 Oz.) |
| | 542639 | Cement, Alumilastic (1 1/4 Oz.) |
| | 833938 | Kit, Terminal Connector |

TORX SCREW WRENCH

| <u>Illus. No.</u> | <u>Part No.</u> | <u>Description</u> |
|-------------------|-----------------|--------------------|
| | 1117510 | Torx Key |