

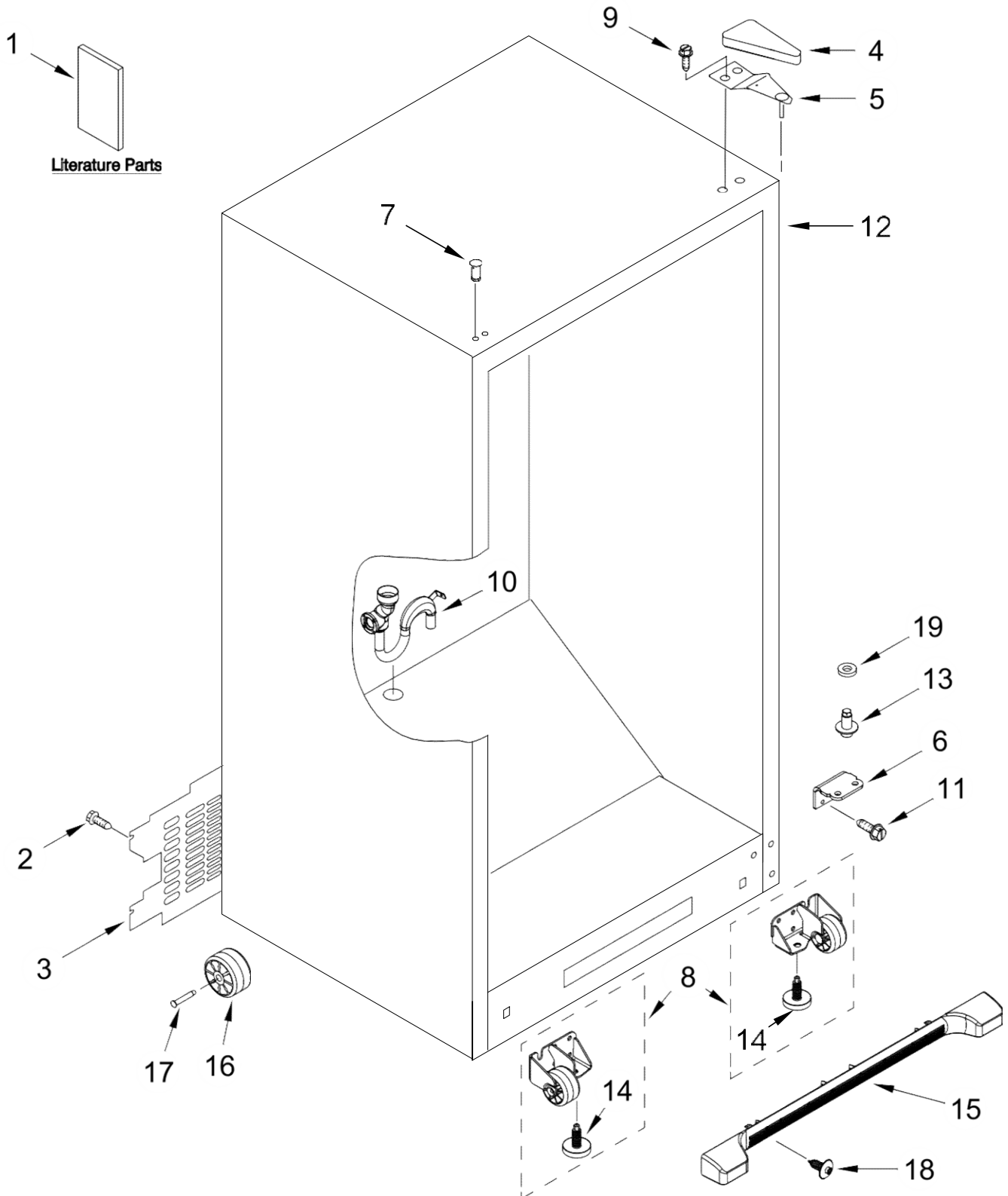


VERTICAL FREEZER

MODELS:

WSZ57L18DM06 (Monochromatic Stainless Steel)

REFRIGERADOR WSZ57L18DM06



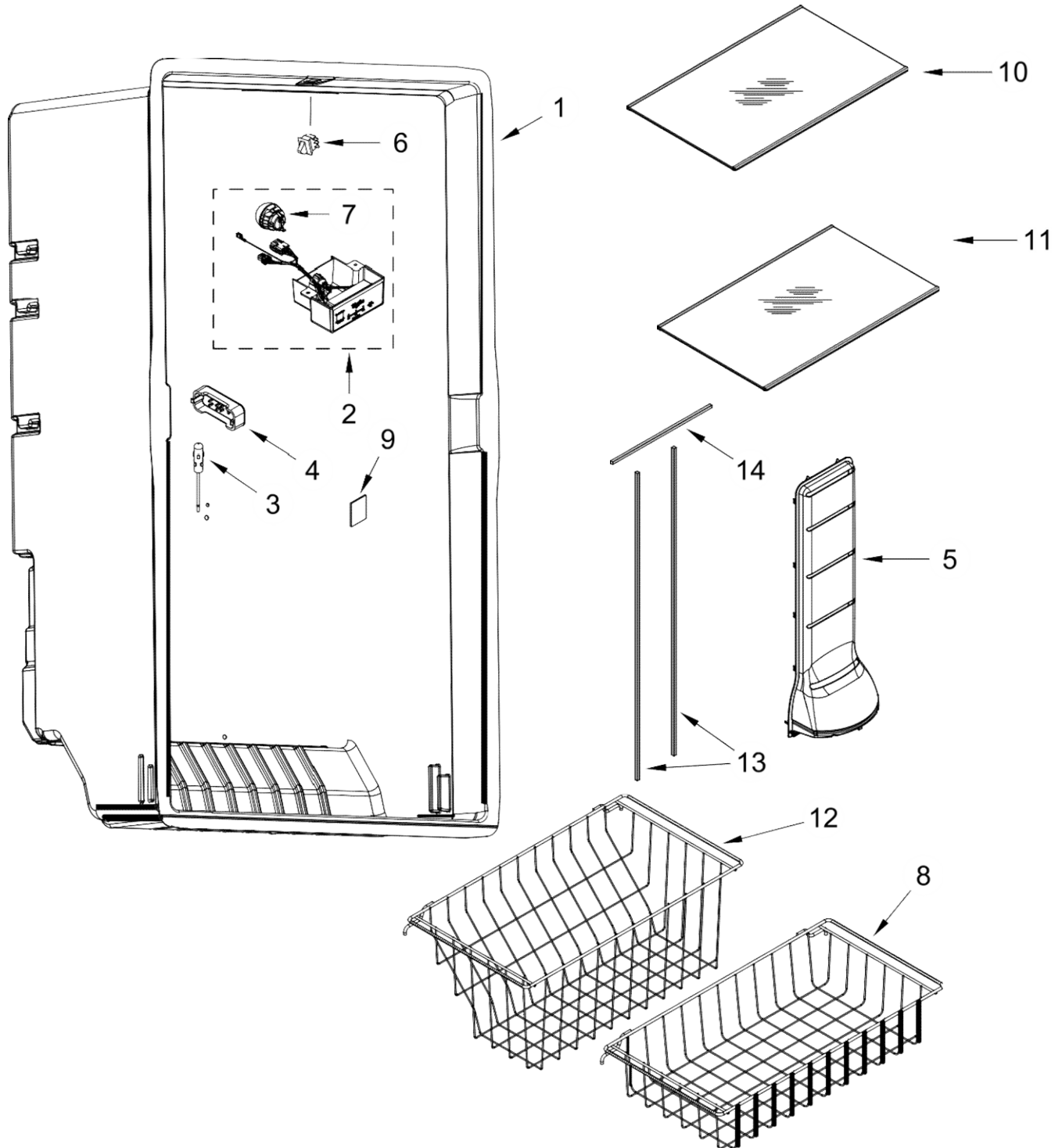
REFRIGERADOR WSZ57L18DM06

<u>Illus. No.</u>	<u>Part No.</u>	<u>Description</u>
1		Literature Parts
	W11507042	Owner's Manual
	W11357344	Energy Guide
	W11510230	Tech Sheet
2	3-80675-105	Screw
3	W11293957	Cover, Unit
4		Cover, Hinge
	2254510	Grey
5	2261963	Assembly, Top Hinge
6		Plate, Bottom Hinge
	W10574262	Grey

<u>Illus. No.</u>	<u>Part No.</u>	<u>Description</u>
7		Plug, Hole
	W10520307	Grey
8		Roller Assembly
	W10515763	Left Hand
	W10515762	Right Hand
9	3400113	Screw
10	W11291514	Tube, Drain
11	W10709365	Screw
12		Cabinet (Not A Serviceable Part)
13	W10574325	Pin, Lower Hinge
14	W10141622	Brake, Roller

<u>Illus. No.</u>	<u>Part No.</u>	<u>Description</u>
15		Grille, Toe
	W10534165	Grey
16	2150304	Roller
17	2179826	Axle, Rivet
18	W11546560	Screw (Grey)
19	487576	Washer, Plastic

REFRIGERADOR WSZ57L18DM06





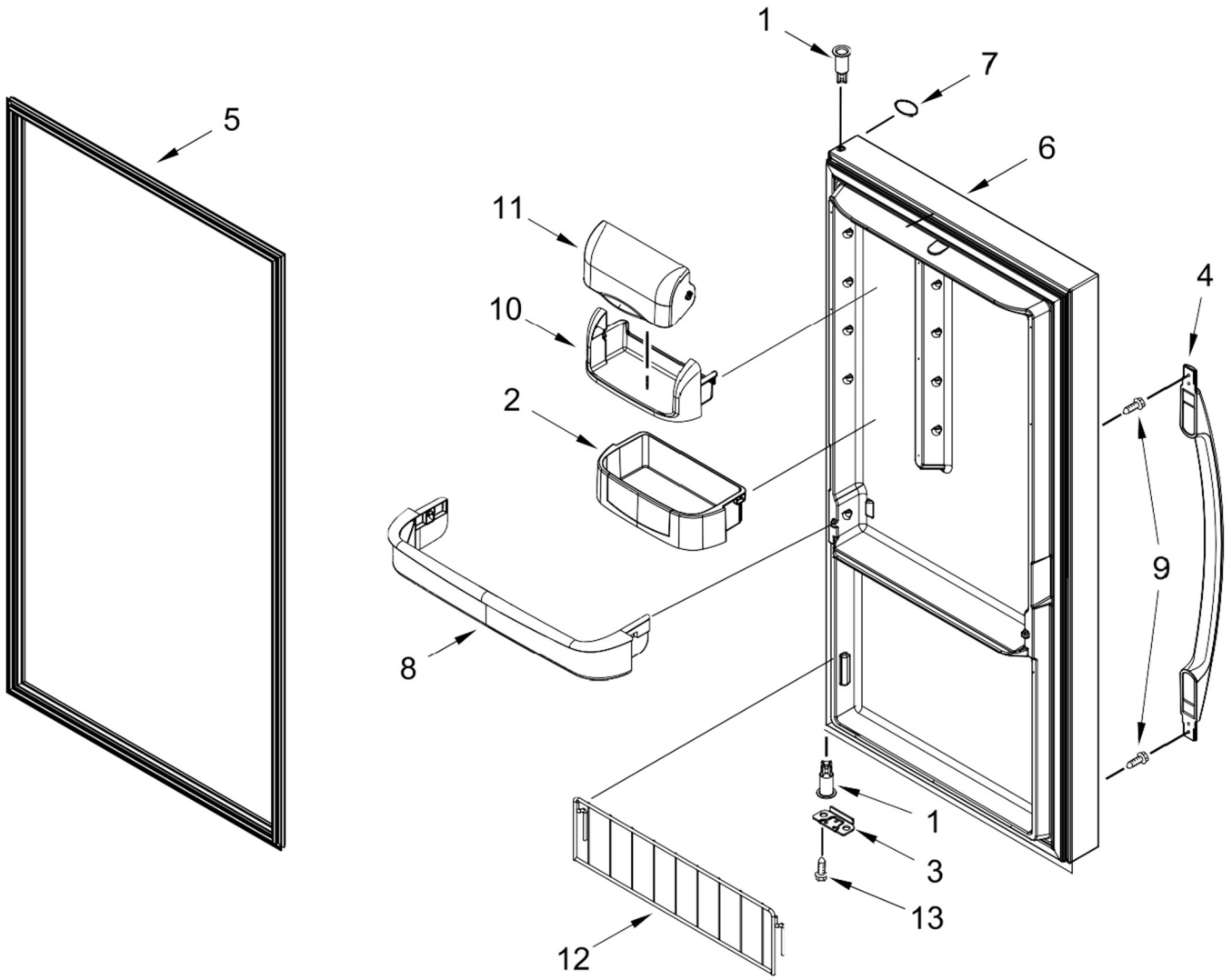
REFRIGERADOR WSZ57L18DM06

<u>Illus. No.</u>	<u>Part No.</u>	<u>Description</u>
1		Liner (Not A Serviceable Part)
2	W11442543	Assembly, Control
3	W10384183	Thermistor
4	W10608692	Cover, Thermistor
5	W10574272	Air Tower
6	W11514900	Switch, Light

<u>Illus. No.</u>	<u>Part No.</u>	<u>Description</u>
7	W11254095	Module, LED
8	W10736055	Basket, Shallow
9	1-60123-001	Cover, Icemaker Hole
10	W10569274	Shelf, Deep
11	W10569275	Shelf, Shallow
12	W10736043	Basket, Deep

<u>Illus. No.</u>	<u>Part No.</u>	<u>Description</u>
13	W10574368	Gasket, Air Tower (Vertical)
14	W10574564	Gasket, Air Tower (Horizontal)

REFRIGERADOR WSZ57L18DM06



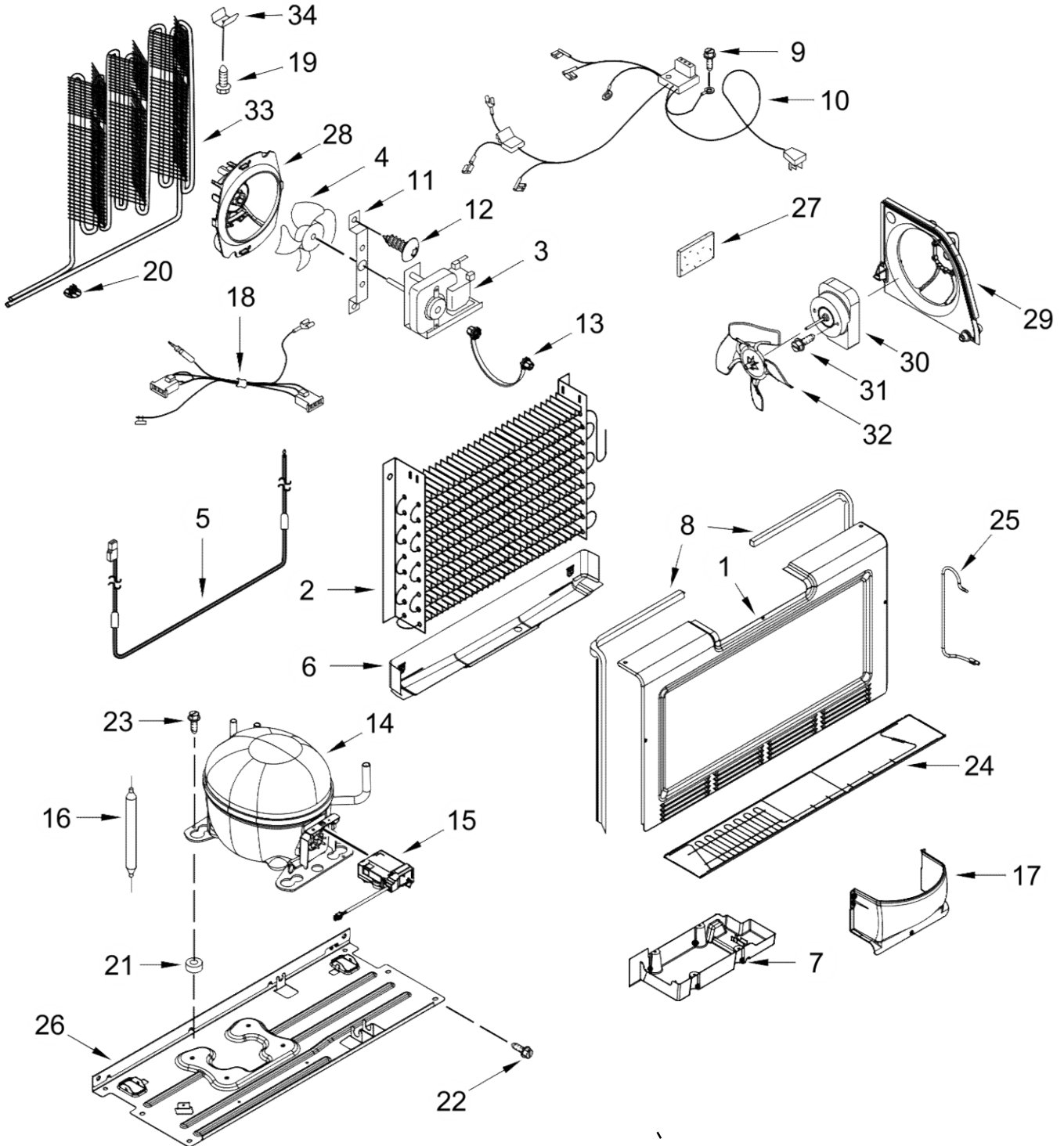
REFRIGERADOR WSZ57L18DM06

<u>Illus. No.</u>	<u>Part No.</u>	<u>Description</u>
1	2314293	Thimble
2	W10371194	Bucket, Medium
	W10351081	Bucket, Small
3	W10628869	Bracket, Door Stop
4		Handle, Door
	W10635689	Stainless
5		Gasket, Door
	W10574476	Grey

<u>Illus. No.</u>	<u>Part No.</u>	<u>Description</u>
6		Door Assembly
	W10578905	Stainless
7	W10884775	Badge
8	12557904	Retainer, Door
9	W10460893	Screw
10	12369502	Tray, Dairy
11	W10612074	Lid

<u>Illus. No.</u>	<u>Part No.</u>	<u>Description</u>
12	W10574673	Door, Pizza Shelf
13	7101P356-60	Screw

REFRIGERADOR WSZ57L18DM06



REFRIGERADOR WSZ57L18DM06

<u>Illus. No.</u>	<u>Part No.</u>	<u>Description</u>	<u>Illus. No.</u>	<u>Part No.</u>	<u>Description</u>	<u>Illus. No.</u>	<u>Part No.</u>	<u>Description</u>
1	W10574307	Cover, Evaporator	14	W11376832	Compressor (Also Order the Following Lokring Parts)	21	10835903	Grommet
2	W11490402	Evaporator (Also Order the Following Lokring Parts)		W11504420	8/6 NR MS 00 (Suction Tube to Compressor)	22	W10142287	Screw
	W11504450	4/1.8 NR MS 00 (Capillary Tube to Evaporator)		W11504431	7/5 NR MS 00 (Discharge Tube to Compressor)	23	W10720825	Screw
	W11504420	8/6 NR MS 00 (Suction Line to Evaporator)		W11506622	6.35 NK AL 00 Charging Tube to Compressor	24		Condenser, Warm Wall (Not A Serviced Part)
3	W11340536	Motor, Fan		W11506635	Tube, Charging (1/4" w/ Schrader Valve)	25	W11501825	Tube, Suction
4	2169142	Blade, Fan	15	W11461105	Assembly, Inverter Box	26	W10574278	Pan, Compressor
5	W11340898	Heater, Defrost	16	W10805035	Drier (Service Drier Without Dye) (Also Order the Following Lokring Parts)	27	2169104	Insulation, Sound Deadening
6	W11483529	Shield, Heat		W11506623	5 NK MS 00 (Drier to Condenser)	28	W10574469	Shroud, Evaporator Fan
7	W10574291	Pan, Evaporator Drain		W11504448	5/1.8 NR AL 00 (Capillary Tube to Drier)	29	2315541	Bracket, Condenser Fan
8	W10574305	Gasket, Evaporator Cover		W10574274	Cover, Evaporator Fan	30	W10909387	Motor, Condenser Fan
9	1-80257-102	Screw		W11435965	Harness, Evaporator Fan	31	8533961	Screw
10	W11439297	Harness, Unit (Includes Power Cord)		W10142294	Screw	32	W10139483	Blade, Fan
11	13058002	Clip, Evaporator Motor		W10815861	Clip, Bottom Cover	33	W10574289	Condenser Assembly (Also Order the Following Lokring Parts)
12	W11546547	Screw					W11578570	7/4.5 NR MS 00 (Discharge Tube to Condenser)
13	W10150583	Grommet, Fan Motor					W11506623	5 NK MS 00 (Suction Line to Condenser)
			17	W10574274	Cover, Evaporator Fan	34	W10248621	Clip, Condenser REFRIGERANT CHARGE 54 grams (R600a)

OPTIONAL PARTS (NOT INCLUDED)

<u>Illus.</u> <u>No.</u>	<u>Part No.</u>	<u>Description</u>
		PAINT, PRESSURIZED SPRAY (12 oz.)
	350942	White Primer
	350939	Enamel, Black
	350930	White
	8171357	Graphite PAINT, TOUCH-UP (1/2oz.)
	72017	White
	72032	Black
	80051	Graphite
	W10134625	Apollo Grey Important: The spray paint is not to be used where the paint may make contact with the door gaskets.
		PAINT, BULK (1 qt.)
	799344	White (Uncut)
	8171358	Graphite Miscellaneous
	212643	Sealer, Gum (4 Feet)
	479502	Tape, Vinyl (3/4 x 108")
	505587	Sealer, Mastic (1 Qt)
	503695	Cork, Sealer
	542638	Grease, Silicone (1/2 Oz.)
	542639	Cement, Alumilastic (1 1/4 Oz.)
	833938	Kit, Terminal Connector
		TORX SCREW WRENCH
	1117510	Torx Key FIELD INSTALLABLE ICE MAKER
	W11510803	Complete Icemaker Kit (Includes Valve & Ice Bin)