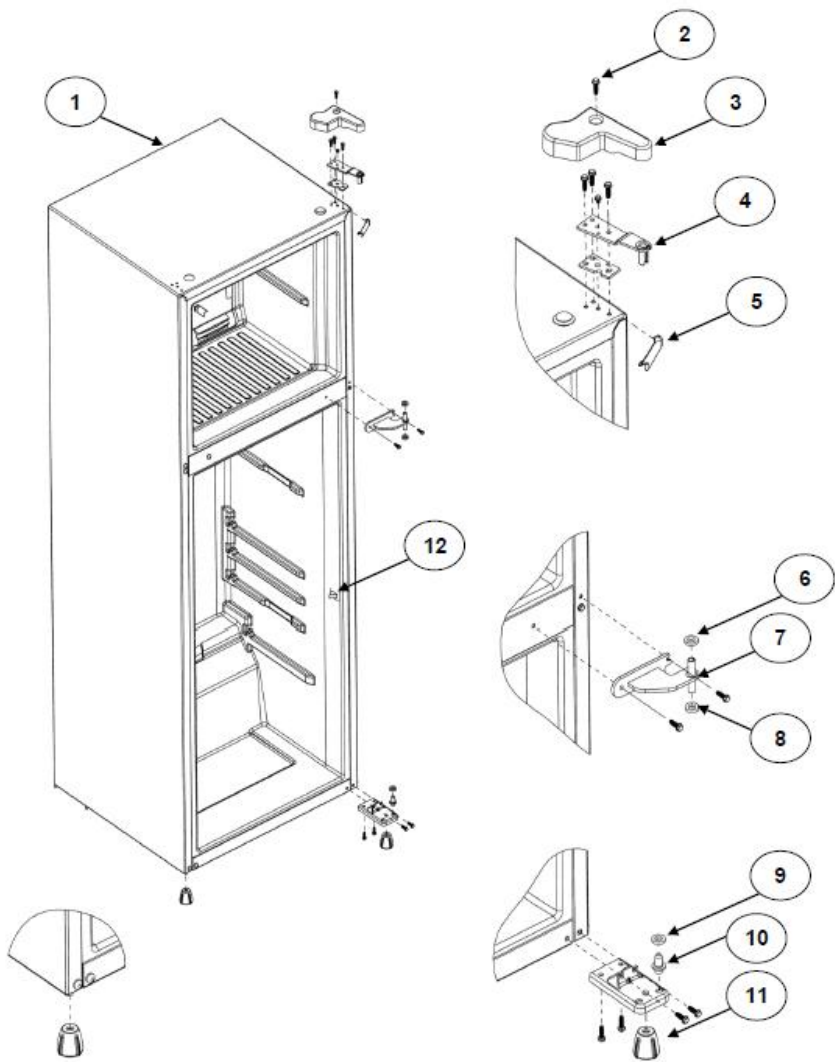


WT1120D00 GABINETE

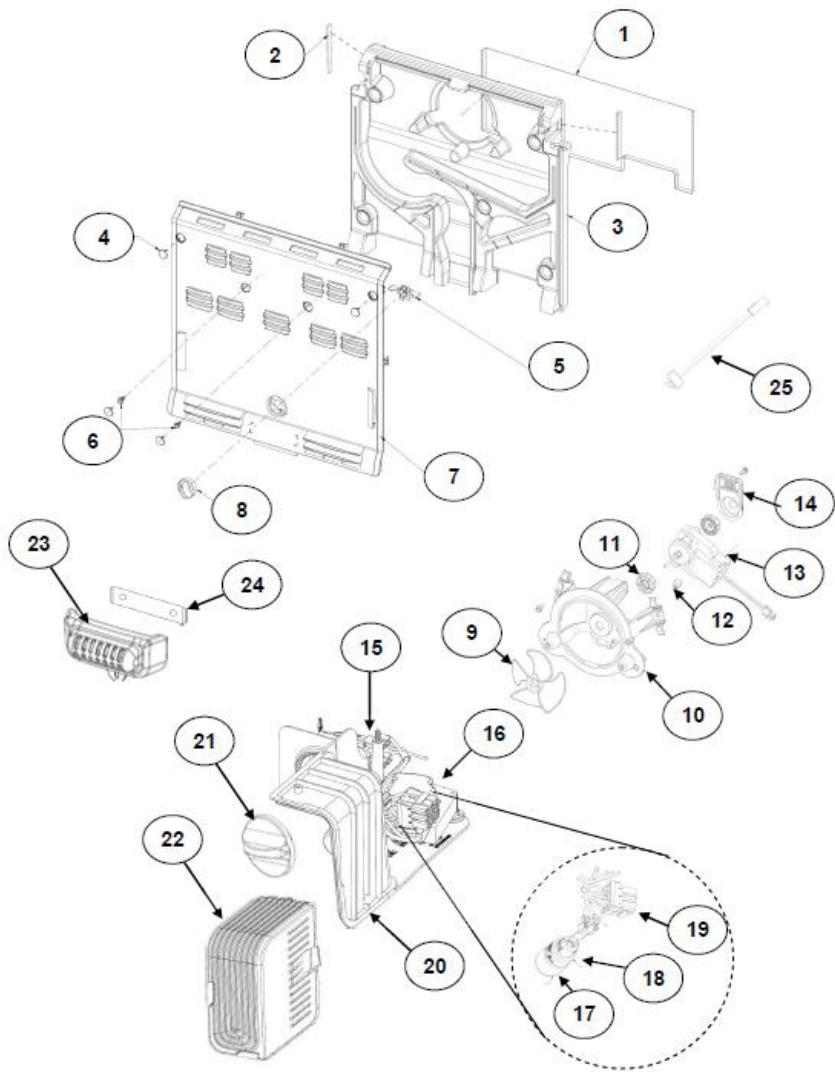




WT1120D00 GABINETE

1	****	CABINET PARTS
2	****	SCREW
3	****	COVER, HINGE
4	W10346928	HINGE, TOP
4A	W10399311	SHIM HINGE, TOP
5	W10516216	CORNER-DECAL, LS
5	W10516210	CORNER-DECAL, RS
6	487576	WASHER
7	W10492014	HINGE, CENTER
7A	W10399330	SHIM HINGE, CENTER
8	489341	WASHER
9	2325483	HINGE-PIN, BOTTOM
10	W10347340	HINGE-BUTT, BOTTOM
10A	W10399313	SHIM HINGE-BUTT, BOTTOM
11	W10340017	LEG LEVELER
12	1118894	SWITCH ROCKER

WT1120D00 SISTEMA DE AIRE

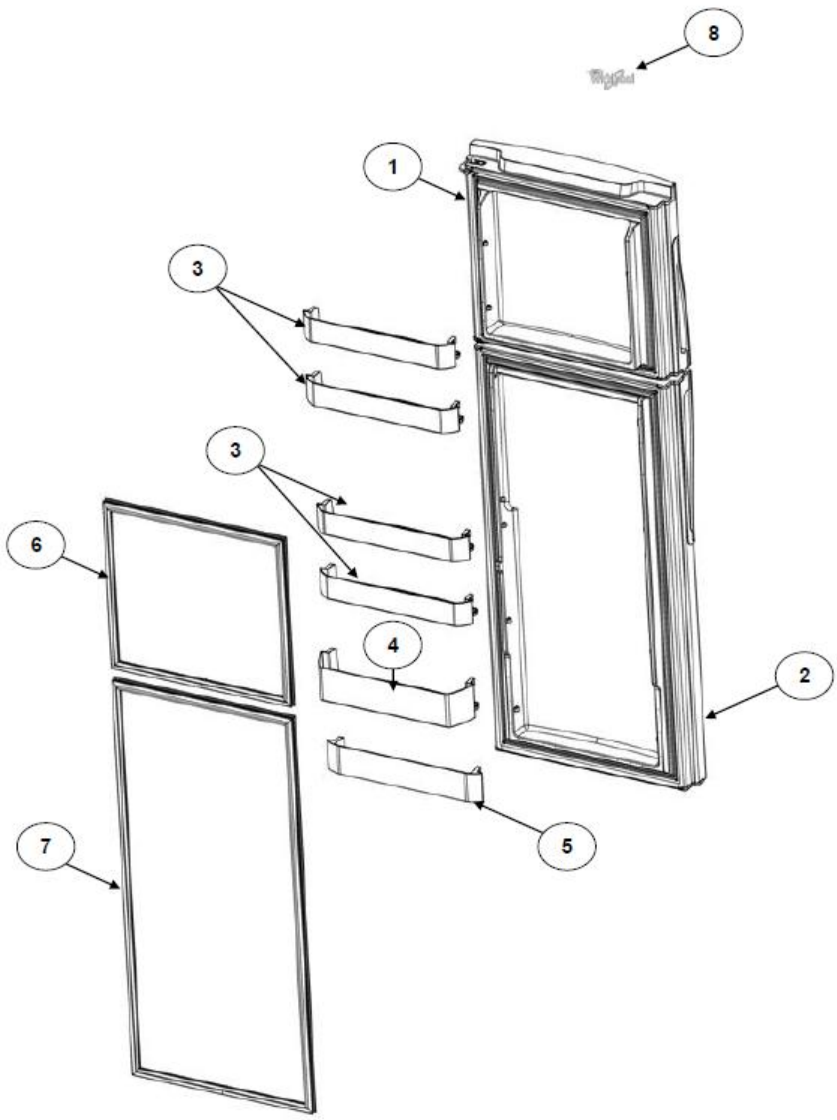




WT1120D00 SISTEMA DE AIRE

1	W10345816	SHIELD, PLENUM
2	****	FOAM SEAL
3	W10420509	EVAPORATOR, BACK COVER
4	W10487421	SCREW, COVER
5	W10261263	FLAP
6	****	SCREW
7	W10431249	COVER PLASTIC, PLENUM FC
8	W10465177	KNOB, FREEZER CONTROL
9	2200509	FAN BLADE
10	W10261254	FRAME, FAN MOTOR
11	W10225833	GROMMET
12	W10225835	CUSHIONG, JAMB-DAMPING
13	W10253821	EVAPORATOR FAN, MOTOR
14	W10251274	MOTOR, SUPPORT
15	W10273879	THERMOSTAT
16	2162045	DEFROST, TIMER
17	W10194651	LED LAMP 127V
18	2263413	LAMPHOLDER
19	W10412780	WIRE, CONTROL BOX
20	W10465179	KNOB, REFRIGERATOR CONTROL
21	W10358069	CONTROL BOX
22	W10356446	LENS CONTROL BOX
23	W10286060	HOUSING, SHK
24	W10490685	INERTIAL MASS
25	W10249331	BIMETAL

WT1120D00 PUERTAS

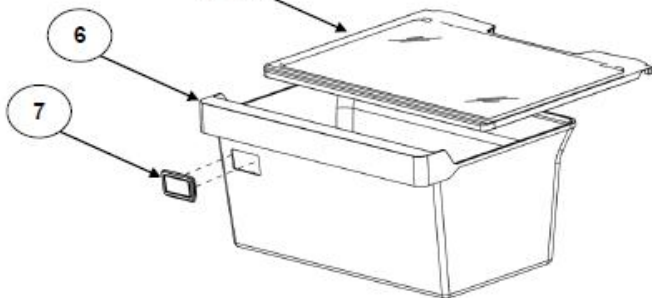
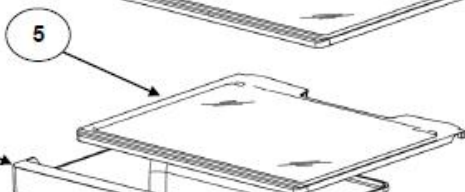
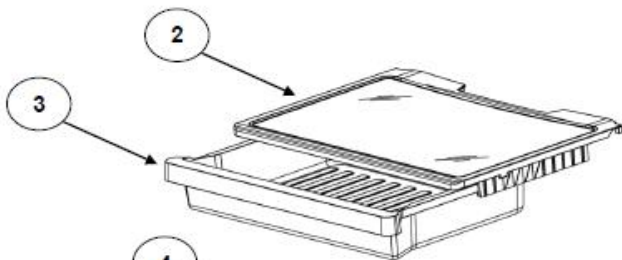
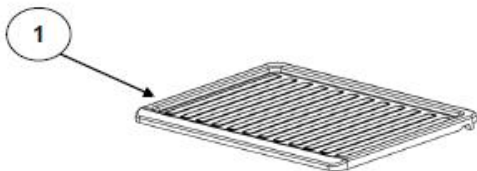




WT1120D00 PUERTAS

1	W10482884	DOOR, ASSY (FC)
2	W10482885	DOOR, ASSY (RC)
3	W10370890	BIN, DOOR FC/RC (SHALLOW)
4	W10465186	BIN, DOOR RC (GALLON)
5	W10364009	TRIVET, DOOR (RC)
6	W10507440	GASKET, DOOR (FC)
7	W10507443	GASKET, DOOR (RC)
8	W10481433	NAMEPLATE

WT1120D00 PARRILLAS

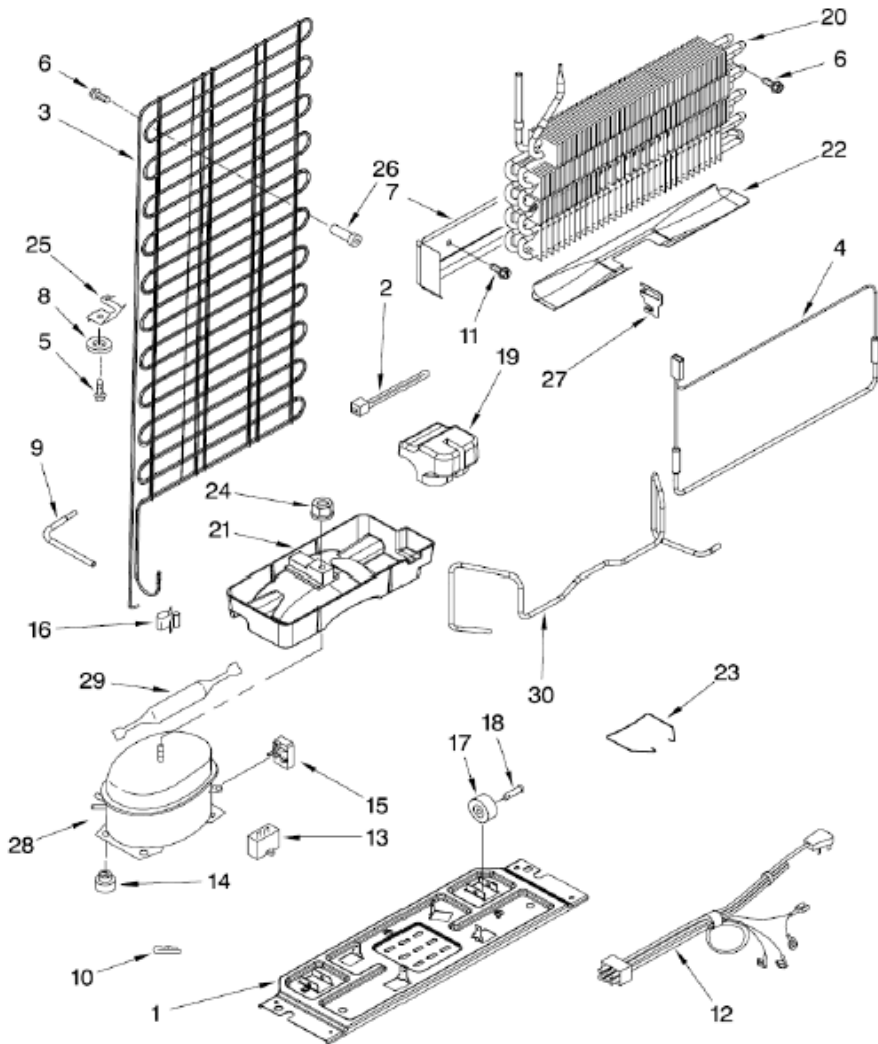




WT1120D00 PARRILLAS

1	W10345525	SHELF, ASSY FC (PLASTIC)
2	W10383565	SHELF, ASSY RC (GLASS)
3	W10340890	MEAT, PAN
4	W10337637	SHELF, ASSY RC (GLASS)
5	W10465190	COVER, CRISPER PAN
6	W10503244	CRISPER PAN
7	****	CONTROL, HUMIDITY

WT1120D00 SISTEMA SELLADO





WT1120D00 SISTEMA SELLADO

1	W10378704	SUPPORT PLATE, COMPRESSOR
2	2263990	STRAP
3	W10439363	CONDENSER
4	W10331598	HEATER, DEFROST
5	****	SCREW
6	****	SCREW
7	W10345815	HEAT SHIELD
8	****	WASHER
9	****	TUBE, PROCESS
10	****	CLIP COMPRESSOR
11	****	SCREW
12	W10523673	POWER, CORD
13	2264017	CAPACITOR
14	2264447	GROMMET
15	W10330832	COMBO, DEVICE
16	****	CLIP, WIRE
17	W10475495	ROLLER
18	2179826	AXLE, RIVET
19	W10261299	WEDGE, EVAPORATOR
20	W10267452	EVAPORATOR ASSY
21	W10512189	EVAPORATOR TRAY
22		DRAIN PAN
23	W10174383	BALE STRAP
24	****	HEX NUT
25	****	CLIP, CONDENSER MOUNTING
26	326020544	SUPPORT, CONDENSER
27	W10286974	BRACKET
28	W10431332	COMPRESSOR
29	W10190413	DRIER
30	****	TUBE DISCHARGE