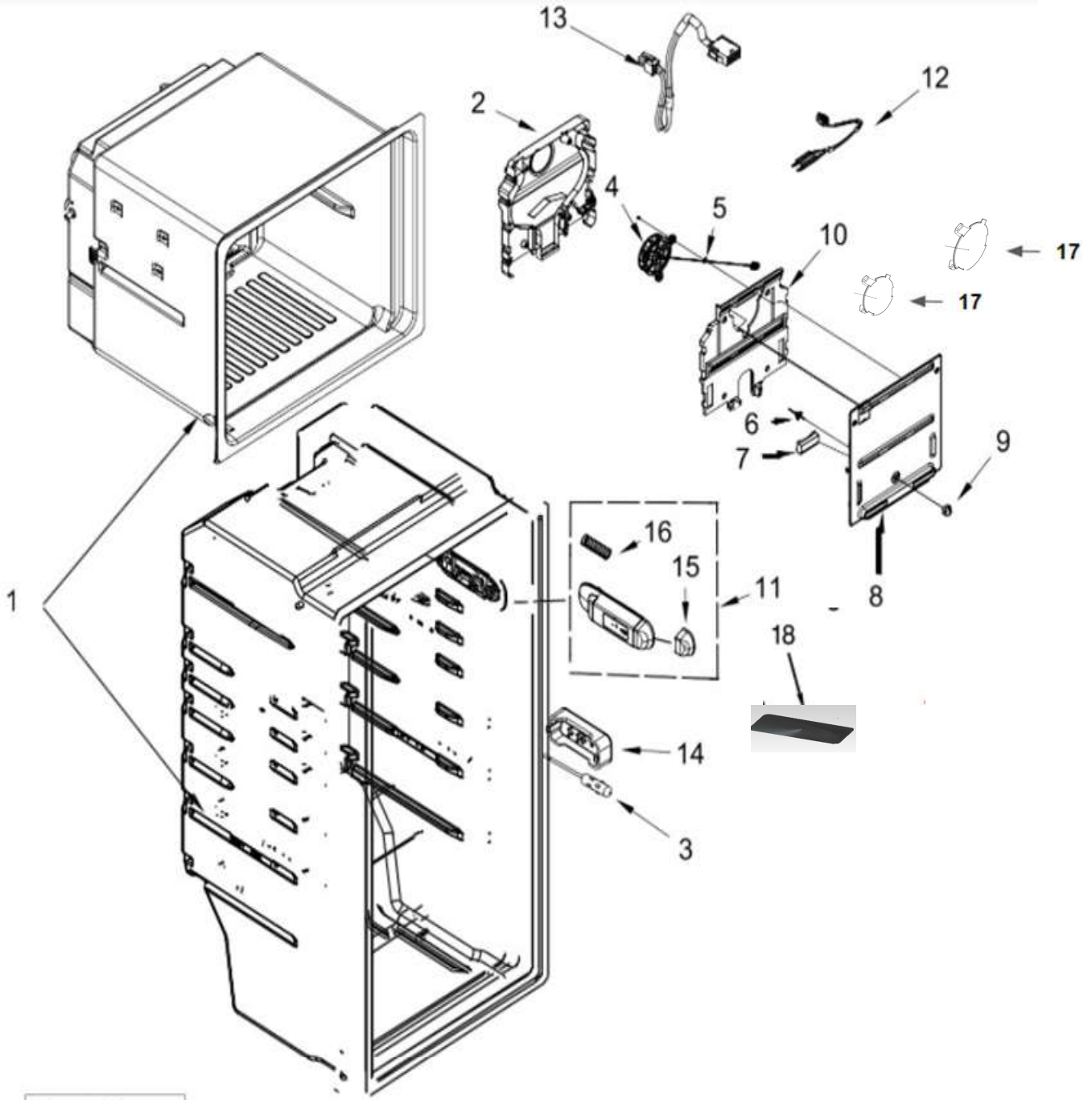




REFRIGERADOR WT1133M00

No Illus.	Descripción	# parte
1	Literatura manual de uso y manejo	W11331641
2	Assembly, Top Hinge	W11191773
3	Shim, Top Hinge	W10399311
4	Screw	89497
5	Hinge Cover Grey (no servicable)	*****
6	Washer, Plastic	487576
7	Washer, Plastic	489341
8	Pin, Hinge (Bottom)	W11183254
9	Hinge, Center	W11173998
10	Shim, Center Hinge	W11175787
11	Shim, Bottom Hinge	W1091990
12	Assembly, Bottom Hinge	W11217747
13	Tornillo nivelador / Screw, Leveler	R-30039
14	Leg, Leveler	W11176400
15	Tube, Water (no serviceable)	*****
16	Rail, Center (Not Serviced)	*****
17	Cabinet (Not Serviced)	*****
18	Plug, Hole Grey	W10520307
19	Esquinero izquierdo / Corner decal LS (AP.GREY K.K.)	W10516216
20	Esquinero derecho / Corner decal, RS (AP.GREY K.K.)	W10516210





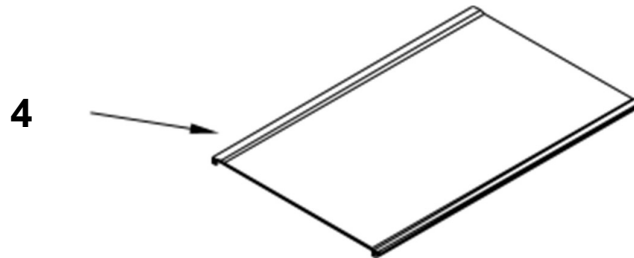
REFRIGERADOR WT1133M00

No Illus.	Descripción	# parte
1	Liner (Not Serviced)	*****
2	Cover Assembly, Back	W11235950
3	Arnes principal incluye thermistor RC y FC/ Wire main include thermistor RC y FC	W11467774
4	Motor evaporador / Motor fan	W11117547
5	Washer	489468
6	Control, Damper	W11262026
7	Wedge, Front	W11236030
8	Cover evaporador frontal / Cover evap front	W11308030
9	Perilla evaporador / Knob evaporator	W11249471
10	Hielo seco / /EPS Front	W11179121
11	Assembly, Electronic Control	W11390538
12	Wire assy TM thermal fuse jumper	W11215218
13	Arnes fábrica de hielos (no incluye) / Wire Assembly, Ice Maker (no incluye)	*****
14	Cover, Thermistor	W10425252
15	Button	W11254962
16	Spring	W10520965
17	Tapas cover blanco / Screw cover white	W10487421
18	Mica tarjeta control / Polycarbonate control board	W11095918

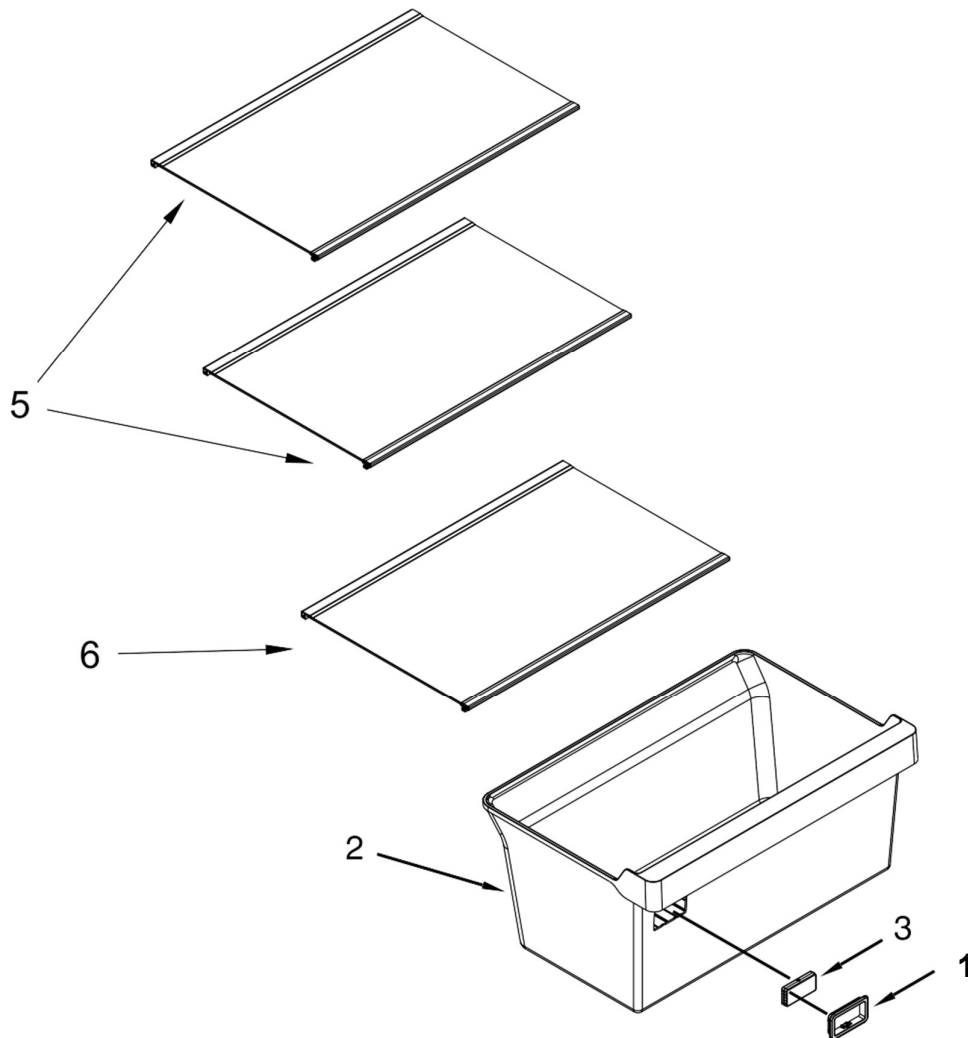


REFRIGERADOR WT1133M00

Freezer



Refrigerator



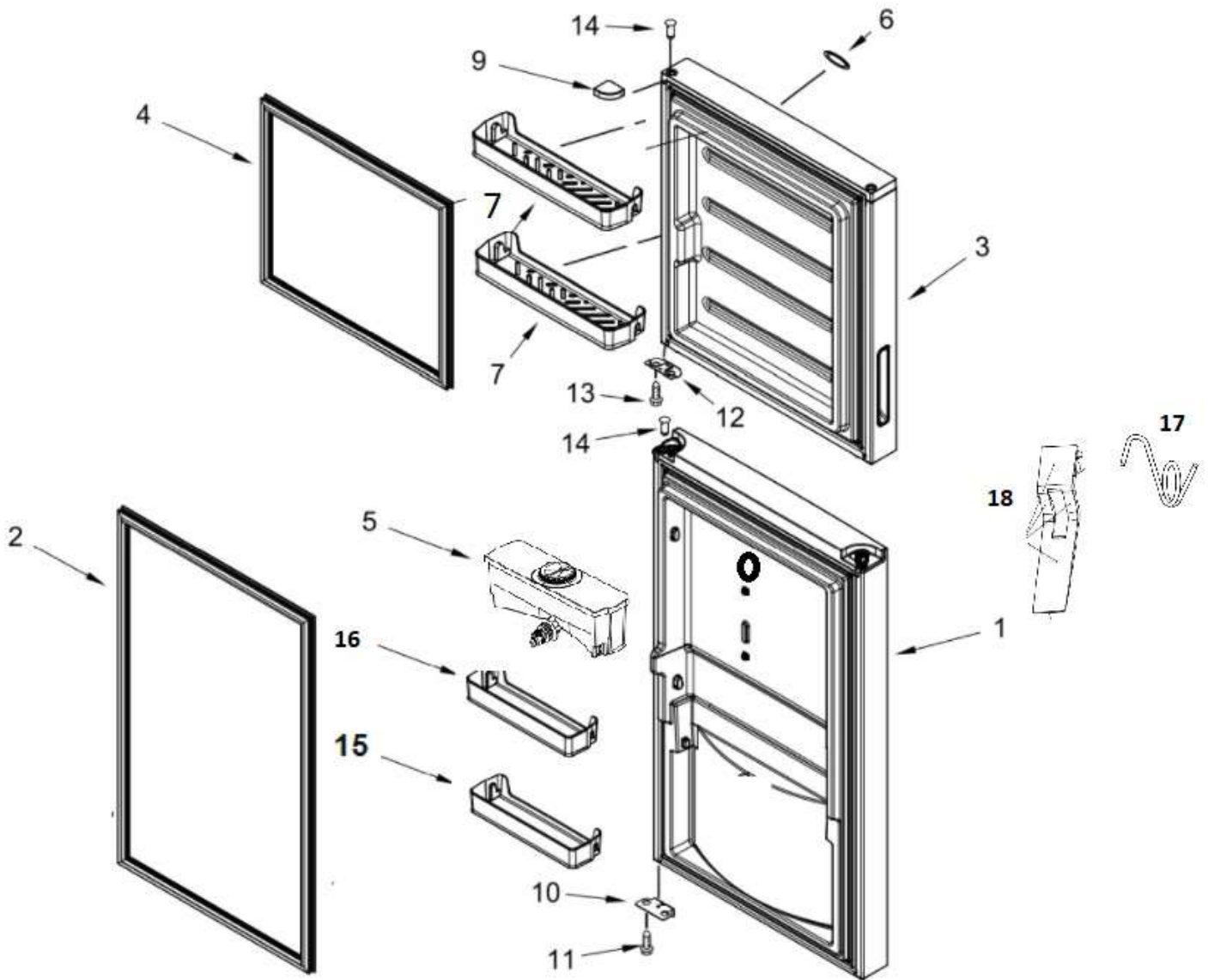


REFRIGERADOR WT1133M00

No illus.	Descripción	# parte
1	FRAME HUMIDITY CONTROL - WHPL.. (L60T)	W10435530
2	CRISPER ASSY	W11531187
3	HUMIDITY CONTROL - WHPL. (L60T)	W10431229
4	GLASS FC	W11509160
5	RC GLASS STD SHELF	W11509186
6	RC GLASS CRISPER COVER	W11509539



REFRIGERADOR WT1133M00



BENITO JUÁREZ #1500 GPE ZITON, CD. GUADALUPE NUEVO LEÓN TEL: 8183377999 Y 49
HORARIOS: LUNES A VIERNES 8:30 A 6:00 PM Y SÁBADOS DE 8:30 A 2:00 PM
WEB: www.denek.com

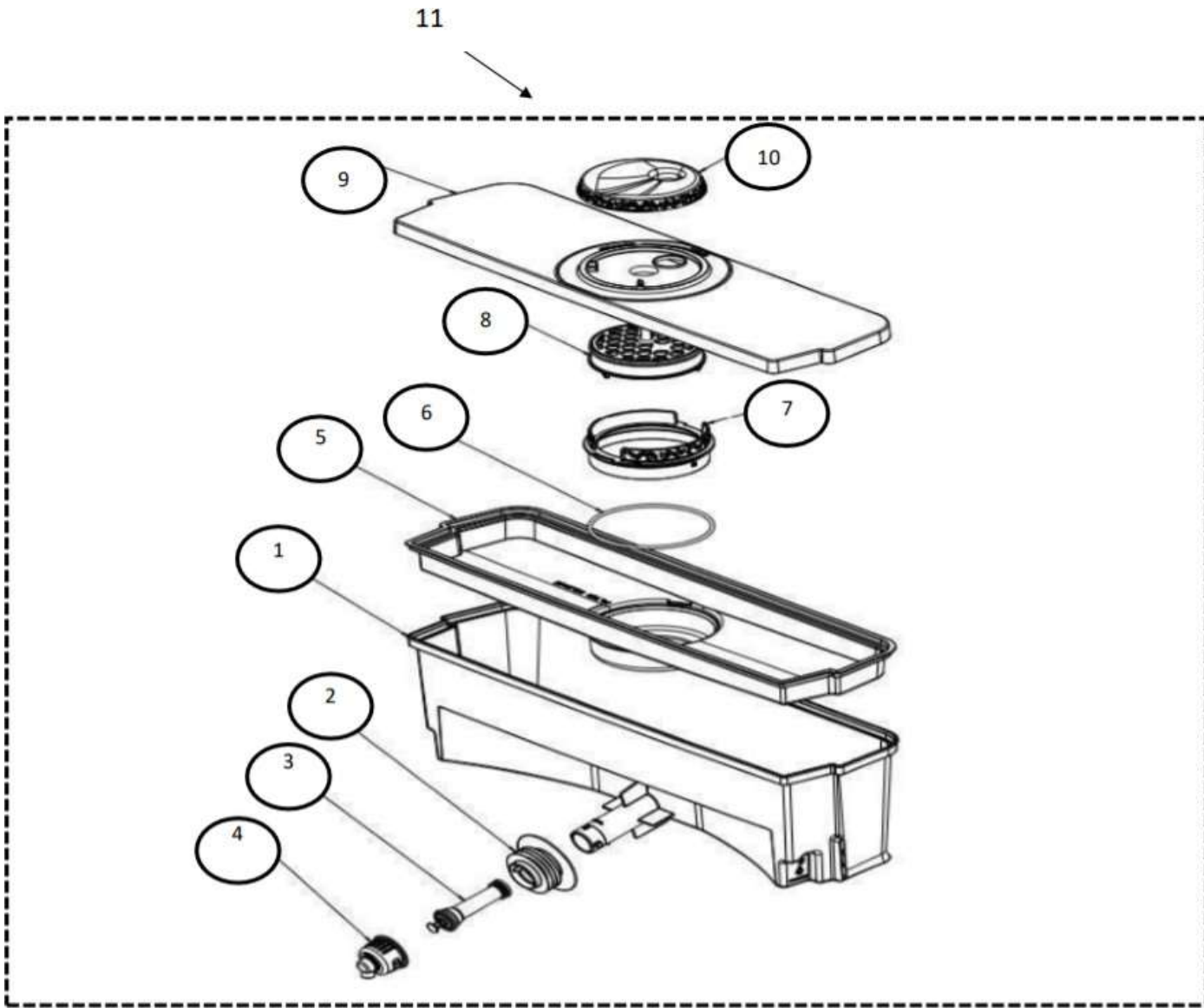


REFRIGERADOR WT1133M00

No Illus.	Descripción	# parte
1	SVC DOOR ASSY RC FOAM TM	W11574382
2	Gasket RC	W11250316
3	SVC DOOR ASSY FC FOAM TM	W11574380
4	Gasket FC	W11250314
5	Tanque de agua / water tank	W11474588
6	Placa Marca / Badge	W10884775
7	Anaquelel FC / BIN Door FC	W11247924
9	Endcap FC	W11562284
10	Bracket, Door Stop	2189202
11	Plug, Hole Grey	W11255553
12	Bracket, Door Stop	W10397055
13	Screw	489442
14	Thimble, Top gray	W10431667
15	Gallon bin	W11247887
16	Bin especial / special bin	W11247945
17	SPRING	W10396890
18	DISPENSER PADDLE HIGHLAND, BEZEL GRAY	W10812124



REFRIGERADOR WT1133M00



BENITO JUÁREZ #1500 GPE ZITON, CD. GUADALUPE NUEVO LEÓN TEL: 8183377999 Y 49
HORARIOS: LUNES A VIERNES 8:30 A 6:00 PM Y SÁBADOS DE 8:30 A 2:00 PM
WEB: www.denek.com

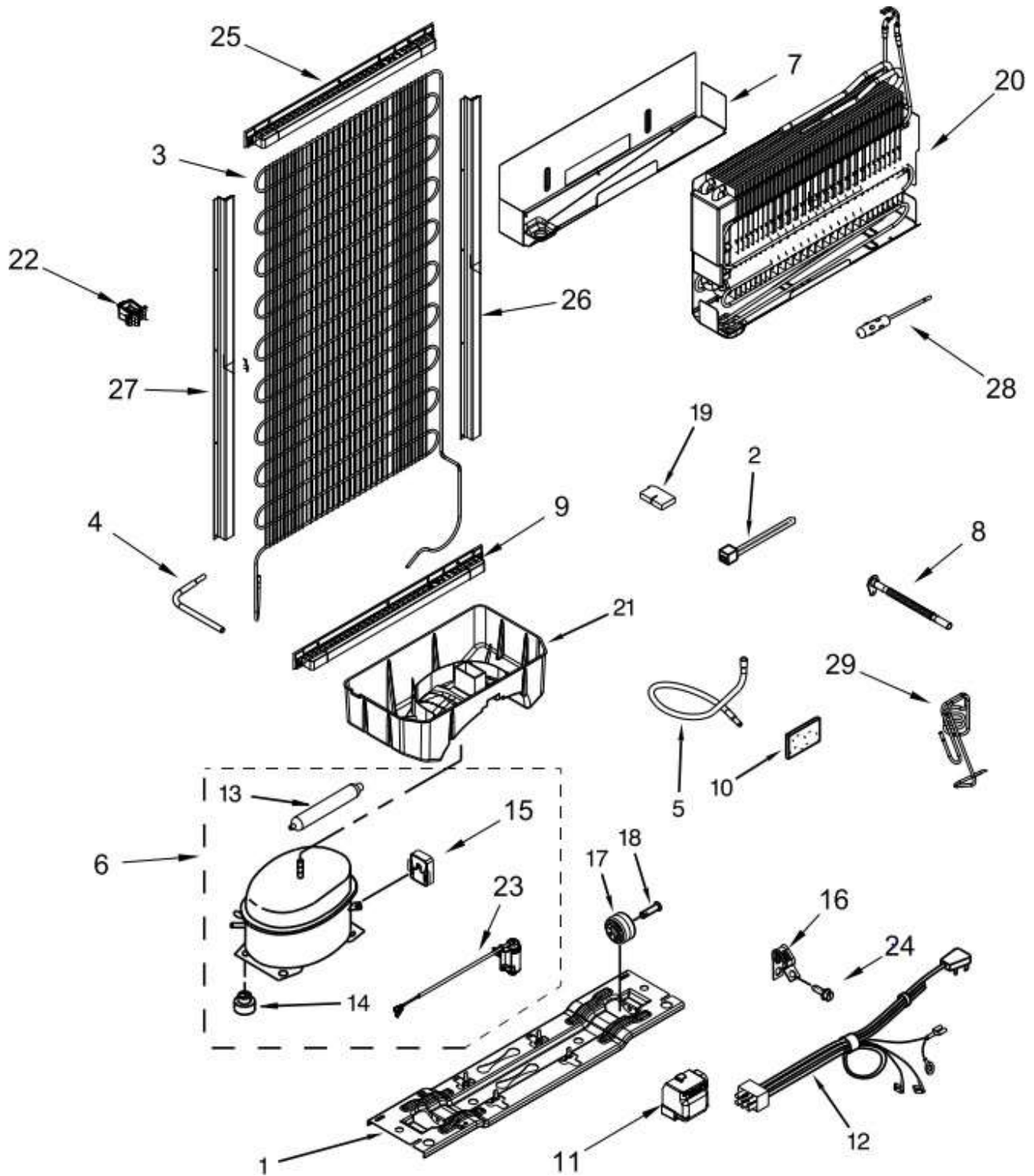


REFRIGERADOR WT1133M00

No Illus.	Descripción	# parte
1	WATER TANK ASSY TM	W11248312
2	Anillo aislante de plástico / Plastic, insulation ring	2321134
3	Base de la Válvula / Base Valve	2328499
4	Válvula complementaria / Complement Valve/	2328506
5	Tanque de agua filtrante / Filtering Water Tank	W11248310
6	Carcasa del Filtro / Filter Housing Gasket	W11248307
7	Cubierta del filtro / Filter Housing	W11248309
8	Ensamble del filtro / Filter ASM Gravity	W10556340
9	Cubierta de tanque de agua / COVER WATER TANK	W11248305
10	Tapa de agua / CAP - MONARCA AQUA (WHITE)	W11248303
11	Tanque de agua completo / water tank assy	W11474588



REFRIGERADOR WT1133M00



BENITO JUÁREZ #1500 GPE ZITON, CD. GUADALUPE NUEVO LEÓN TEL: 8183377999 Y 49
HORARIOS: LUNES A VIERNES 8:30 A 6:00 PM Y SÁBADOS DE 8:30 A 2:00 PM
WEB: www.denek.com



REFRIGERADOR WT1133M00

No Illus.	Descripción	# parte
1	Soporte compresor / Plate, Compressor Support	W10378704
2	Tie, Wire	2263990
3	Condensador / condenser	W11246373
4	Tube, Process	2174739
5	Tubos de succión / CRONOS CU SUCTION TUB	W11552406
6	COMPRESSOR EMDS55CLT 127V/60HZ 6TS	W11528411
7	Protección de resistencia / Heat Shield	W11179127
8	Tubo de drenado / Drain tube	W11488945
10	Insulation, Sound	2215468
11	Cover, Terminal Board	W11342284
12	Power cord	W11248029
13	Drier	W11107829
14	Grommet	10835903
15	TSD2 115V ELECTRICAL	W11541370
16	Clamp, Power Cord	W10303628
17	Roller	W10475495
18	AXLE-RIVET X	2179826
19	Cuñas evaporador / Wedge, Evaporator Left / Right	RH-W11179124 / LH-W11179126
20	Evaporator Assembly (with defrost heater)	W11186306
21	Charola Evaporativa / Tray, Water	W11461578
22	Support, Condenser	326020544
23	Capacitor Run 12MF	W10590083
24	Screw	489442
25,26,27	NA	*****
28	Arnes principal incluye thermistor RC y FC/ Wire main include thermistor RC y FC	W11467774
29	Coil, Discharge	W11255016