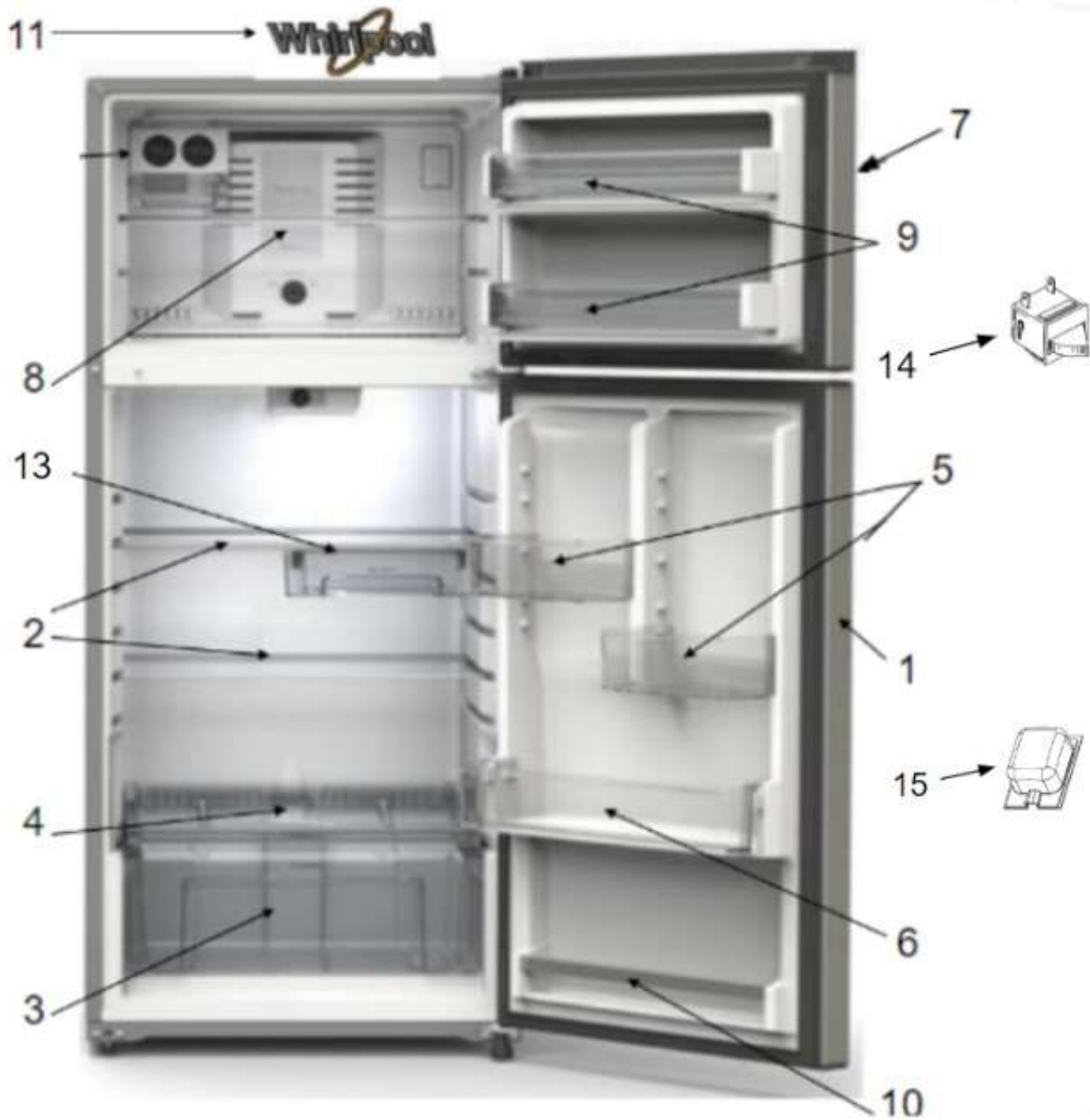




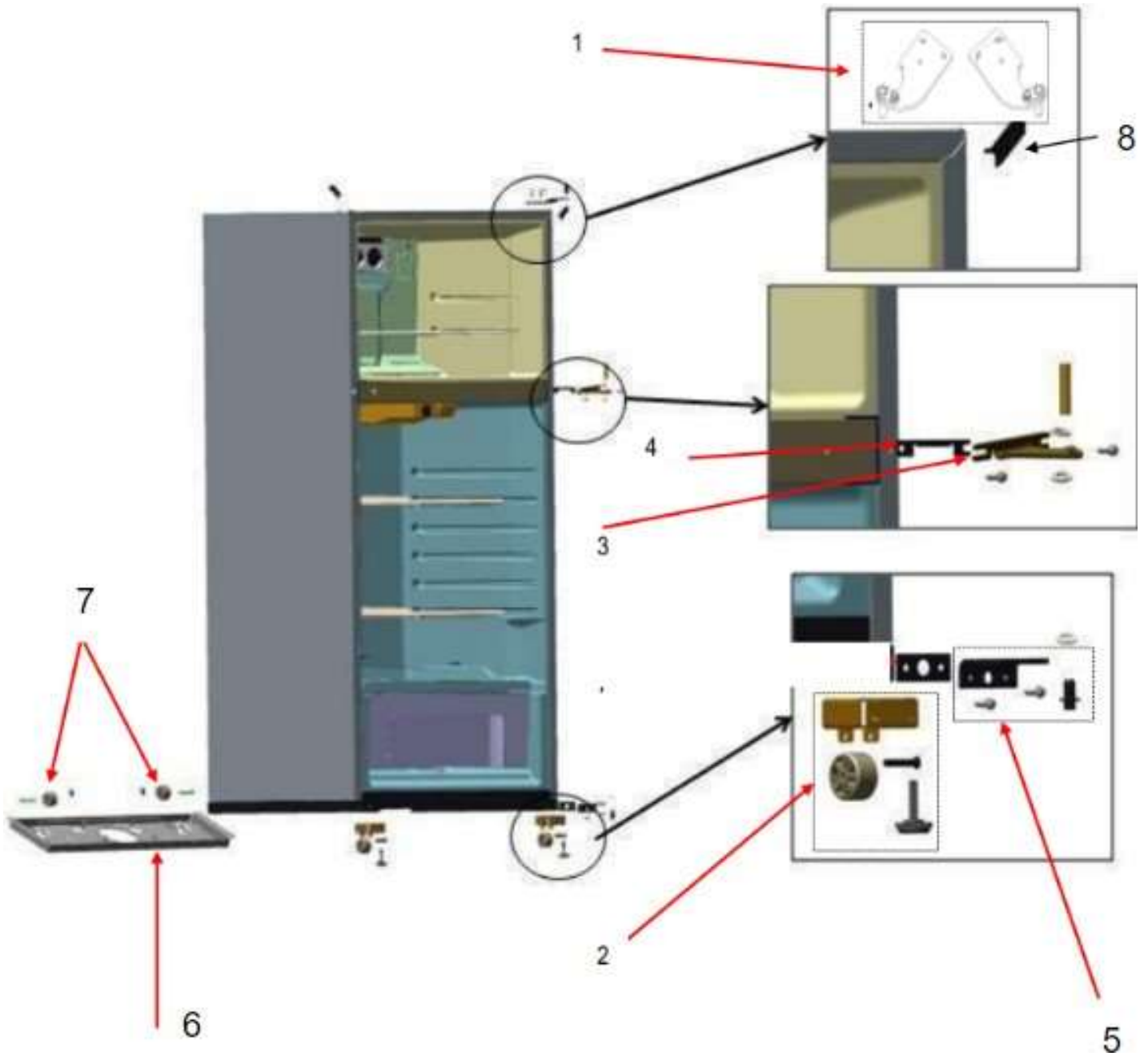
REFRIGERADOR
MODELO: WT1818A02





REFRIGERADOR WT1818A02

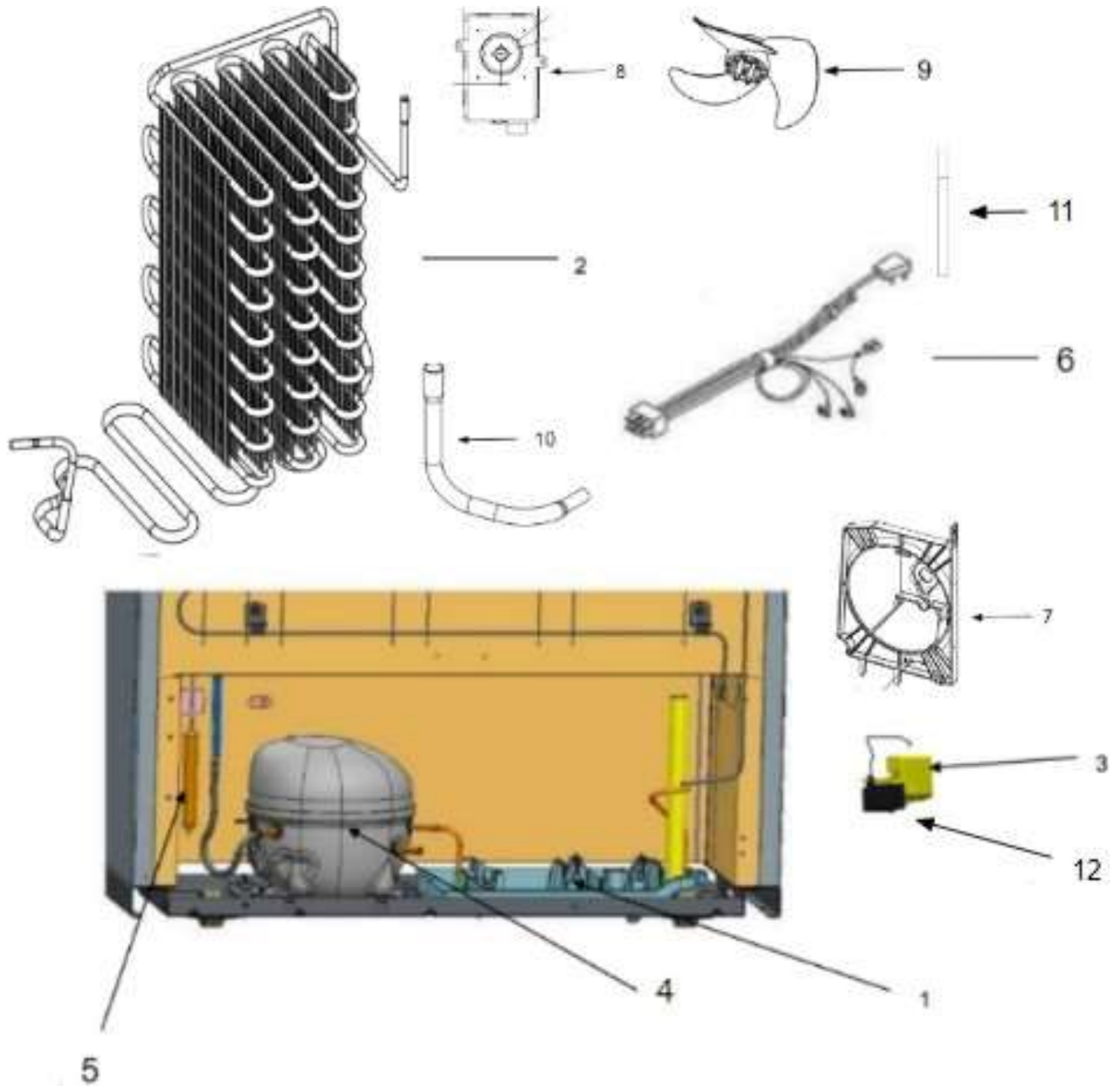
N o. Ilu	Descripción	Cant.	No. de Parte
1	Puerta ensamble refrigerador / DOOR ASSY RC 18' HIGHLAND CONT. D.STEEL	1	LW10872603
2	Ensamble parrilla refrigerador / MEAT PAN SHELF GLASS ASSY CH_W 18 HLAND	2	W11184847
3	Cajón legumbrero / CRISPER PAN - FW, GPPS (HIGHLAND)	1	W10884526
4	Cubierta cajón legumbrero / SLIDE-OUT SHELF, ULT.CRYSTAL (HIGHLAND)	1	W10805888
5	Bin móvil refrigerador / BIN MOVABLE, RC 16' & 18' HLAND	2	W10805890
6	Anaquele fijo refrigerador / TRIVET-RC, GPPS (HIGHLAND)	1	W10805892
7	Puerta ensamble congelador / DOOR SERVICE FC 18' HIGHLAND BUEN FIN	1	LW10901656
8	Parrilla congelador / SHELF ASSY FC CH. FROST HIGHLAND 16'	1	W10895169
9	Barandillas congelador / TRIM SHELF DOOR 25.4 ALUM. NO GRAPHICS	2	W10802128
10	Barandilla refrigerador / TRIM-SHELF DOOR ALUM. 25.4 x 548	1	W10245587
11	Placa marca Whirlpool / BADGE, WHIRLPOOL	1	W10884775
13	Cajon carnes frias (N/A PARA WT1818A02) / MEAT PAN SLIM, HIGHLAND ULT. CRYSTAL	1	*****
14	SWITCH- ROCKER ARM	1	W10847853
15	COVER LIGHT SWITCH ASSY	1	2325574





REFRIGERADOR WT1818A02

No. Ilus.	Descripción	Cant	No. de Parte
1	Bisagra superior y pivote (No incluye tornillos) / HINGE TOP ASSY, RS	1	W10300065
2	Ruedas de ajuste con nivelador ensamble (Delanteras) / ROLLER ASSY WITH LEVELER	2	W10142530
3	Bisagra central y pivote (No incluye tornillos) / HINGE ASSY-CTR/REPAIR/CHRO	1	2166086
4	Separador bisagra central / SHIM-HINGE BUTT CENTER	1	2166043
5	Separador bisagra inferior / SHIM HINGE BUTT TOP	1	W10883637
6	Soporte compresor / SHIM-HINGE BUTT CENTER	1	W10626432
7	Rollers traseros / ROLLER-CABINET HIPS	2	W10475495
8	Esquineros / CORNER FILLER-CAB A GREY	1	W10761079





REFRIGERADOR WT1818A02

No. Ilus.	Descripción	Cant	No. de Parte
1	Charola de evaporacion / WATER EVAPORATING TRAY	1	W10565417
2	Condensador / CONDENSER ASSY-FORMED 18'TFA	1	W11299410
	5/4 NR MS 00 (High Side to Condenser)	1	W11504445
	6/5 NR MS 00 (Suction Line to Condenser)	1	W11504432
3	protector termico (Combo Device) sin capacitor / START-DEV	1	W10197428
4	Compresor con amortiguadores / COMP EMD55CLT TC SP 127V/60HZ	1	W11358345
	8.5/8 NR MS 00 (Suction Tube to Compressor)	1	W11504415
	7/6 NR MS 00 (High Pressure Side to Compressor)	1	W11504430
	8 NK MS 00 (Process Tube to Compressor)	1	W11506619
5	Filtro Deshidratador / DRIER-TUBE	1	W10669573
	5/4 NR MS 00 (Heat Loop to Drier)		W11504445
	5/1.8 NR MS 00 (Capillary Tube to Drier)		W11504447
6	Arnes tomacorriente principal / WIRE ASSY UNIT - ST.COND. HLAND	1	W11504466
7	CONDENSER FAN BRACKET	1	W10570380
8	COND FAN,MLA,AQ 115VAC 940 RPM	1	W10909387
9	BLADE FAN-COND.BLACK VL PIRANHA	1	W10675036

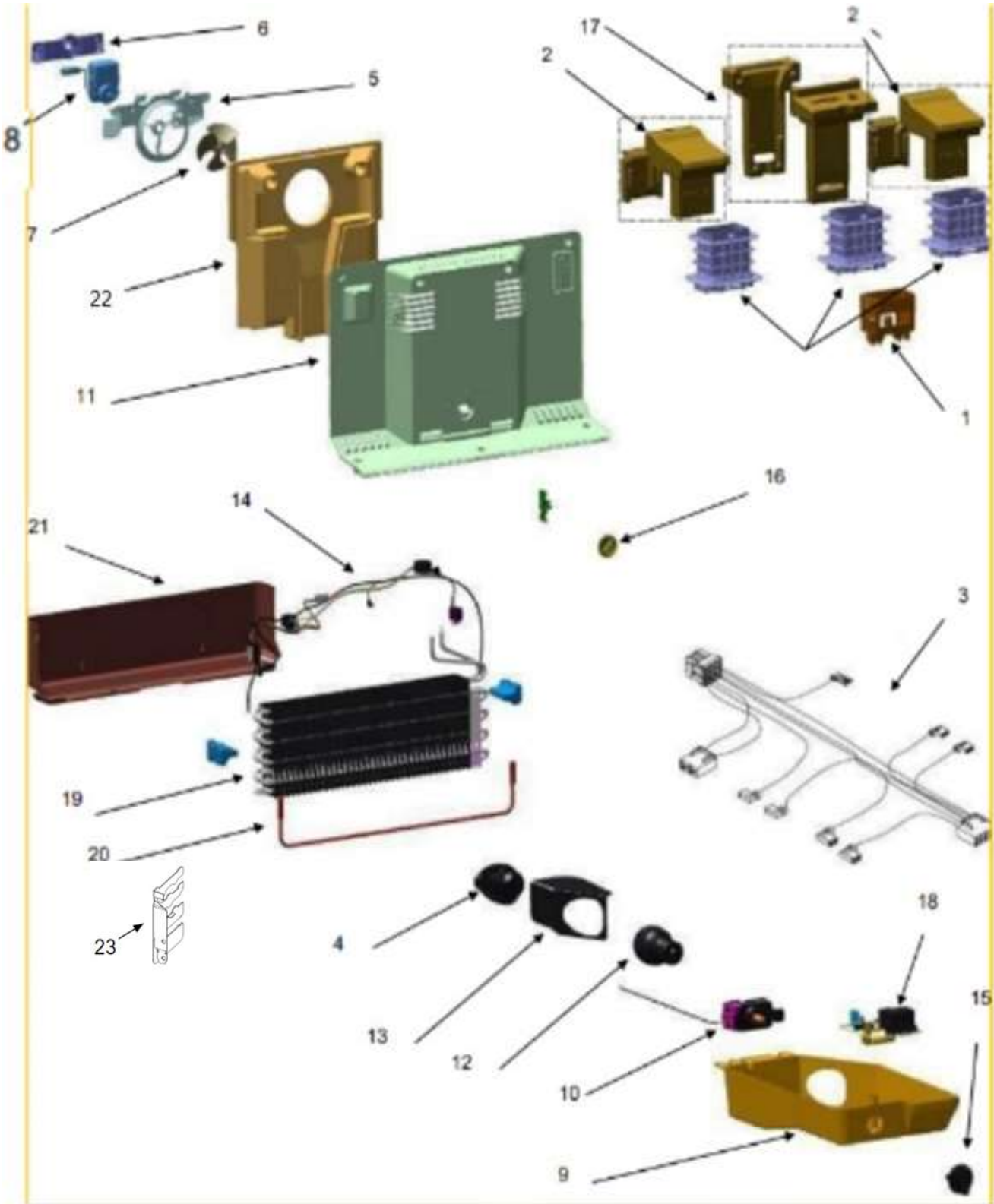


REFRIGERADOR WT1818A02

10	SUCTION TUBE METAL COVER	1	W11396724
11	PROCESS TUBE	1	2174739
12	CAPACITOR	1	W10590083



REFRIGERADOR WT1818A02





REFRIGERADOR WT1818A02

No. Ilus.	Descripción	Cant	No. de Parte
1	Cubierta difusor de aire / AIR DIFFUSER COVER (PIRANHA)	1	W11552062
2	Hood And Foil Ensamble / HOOD AND FOIL ASSY (PIRANHA)	2	W10570941
3	Arnes caja de control / CONTROLX BOX, PRINTED PVC (HIGHLAND)	1	W11581753
4	Socket refrigerador / SOCKET VER ILUSTRACIÓN #12	1	*****
5	Soporte del Abanico / ORIFICE	1	W11600392
6	Retenedor motor evaporador / BRACKET-BACK, EVAP FAN	1	2254454
7	Aspas para motor evaporador / BLADE-FAN, EVAPORATOR	1	2200509
8	Motor del abanico evaporador / MES ECM MOTOR-FAN, STD	1	2315539
9	Caja de Control / CONTROLX BOX, PRINTED PVC (HIGHLAND)	1	W11481362
10	Termostato / THERMOSTAT MECH FOSHAN	1	W11349827
11	Cubierta evaporador ensamble / EVAP. COVER AX. ASSY, W/O LIGHT HLAND DEC	1	W11510101
12	Foco / HEMERA	1	W11196500
13	Light shield / LENS-LIGHT / SHIELD-LIGHT, CONTROL BOX	1	W10817010
14	Ensamble arnés congelador (incluye bimetalo) / WIRE ASSY FRZR 9 PIN FUSE HLAND	1	W11373508



REFRIGERADOR WT1818A02

15	Perilla de control RC / CONTROL KNOB HIGHLAND	1	W10840263
16	Perilla de control FC / FC AIR CONTROL KNOB, TEMP. GRAY HIGHLAND	1	W10833308
17	Ducto de Aire, Ensamble / AIR DIFFUSER ASSY DEFLECTOR HIGHLAND	1	W11603929
18	CONTROL-ELEK,ADC2020_R600A	1	W11438550
19	Ensamble evaporador / EVAPORATOR	1	W11497963
	4/1.8 NR MS 00 (Capillary Tube to Evaporator)	1	W11504450
	8 NK AL 00 (Suction Line to Evaporator)	1	W11506620
20	Heater- defrost / DEFROST HEATER (PIRANHA)	1	W11339349
21	Base evaporador / HEAT SHIELD-EVAP. GALV. (0.36) PIRANHA	1	W10570572
22	Cubierta de hielo seco / EVAP. PLENUM AXIAL ASSY 16' & 18' HLAND	1	W10813581
23	BRAKET-EVAP	1	W11340313