

Whirlpool

SERVICE

CENTRO DE SOLUCIONES



LO ORIGINAL MARCA DIFERENCIA

EXPLOSIONADO DE PARTES
-REFRIGERADOR-
MODELO| WT2150S02

acros

Whirlpool
CORPORATION

MAYTAG

KitchenAid

Distribuidor Autorizado

SurteRápido.com

Venta de Refacciones
Electrodomesticas



REFRIGERADOR WT2150S02

1



Literature Parts

15

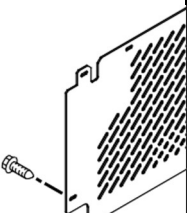


5



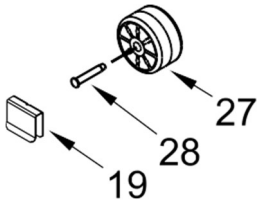
14

30



17

4

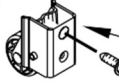


25



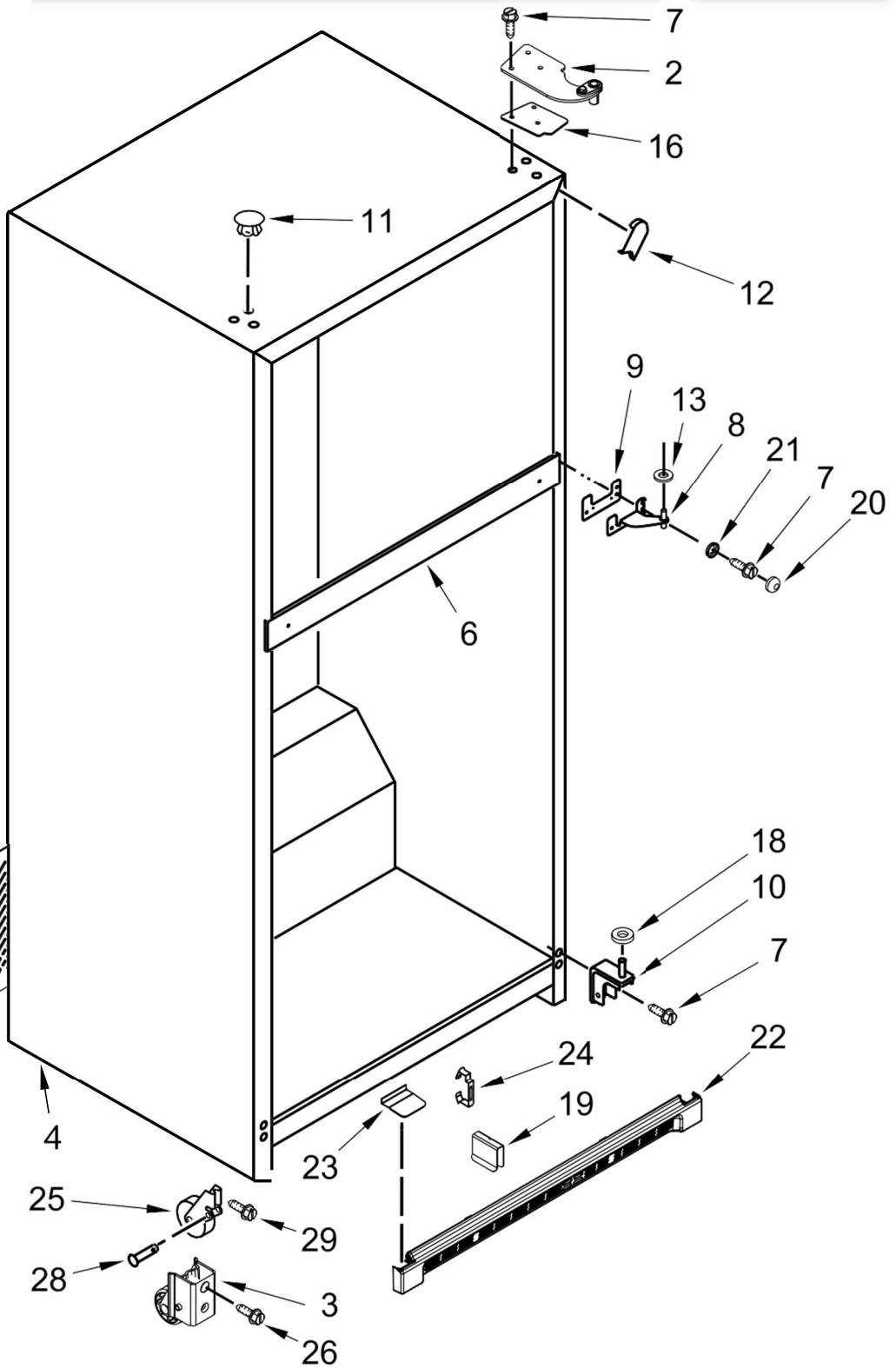
29

28



3

26



REFRIGERADOR WT2150S02

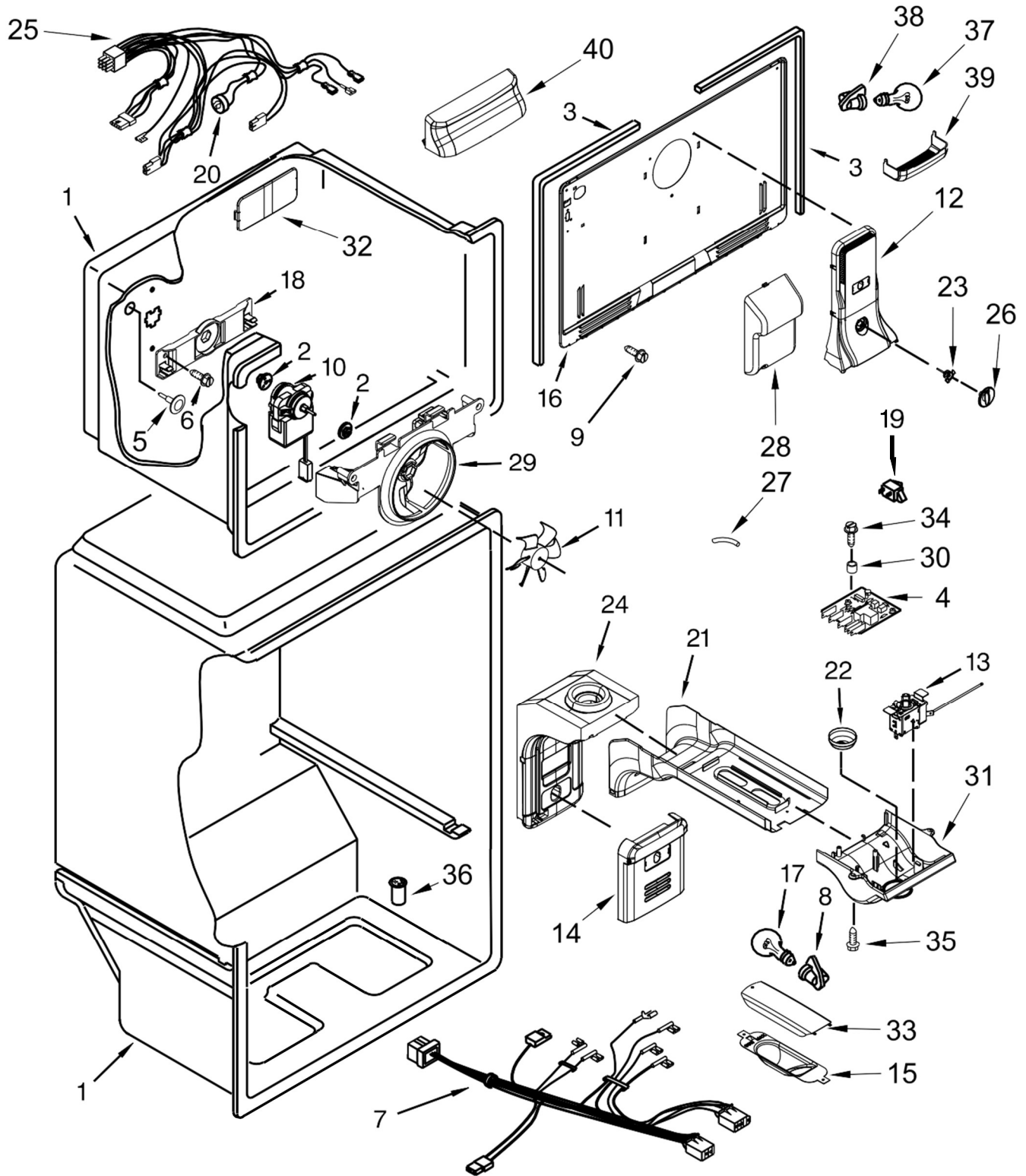
No. Ilustración	Descripción	Piezas	No. Parte
1	Literature Parts	-	-
	Use & Care Guide	1	W11090103
2	Assembly, Top Right Hinge	1	W10300065
3	Assembly, Roller Right side	1	W10359255
	Assembly, Roller Left side	1	W10359256
4	Cabinet	-	No serviceable
5	Screw	-	489442
6	Rail, Center	-	No serviceable
7	Screw	-	489497
8	Hinge, Center	1	2254618
9	Shim, Hinge Center	1	2183852
10	Hinge, Bottom	1	2254473
11	Hole Plug	6	W10520307
12	Filler, Wrapper	2	W10283961
13	Washer, Plastic	2	489341
14	Clamp, Power Cord	1	W10303628
15	Valve, Inlet	1	W10498995
16	Shim, Top Hinge	1	W10883637
17	Cover, Unit	1	W10609390
18	Washer, Plastic	1	487576
19	Clip, Roller	2	2174706
20	Dome Cap	3	W10679139
21	Dome Cap, Washer	3	W10674773
22	Grille	1	W10353941
23	Cover, Toe Grille	1	W10353932
24	Clip, Grille		N/A
25	Assembly, Roller	1	W10359256
26	Bolt	6	W10142287
27	Roller	2	W10475495
28	Axle, Rivet	2	W10628712
29	Screw	-	----
30	Screw	-	2262176

Distribuidor Autorizado

SurteRápido.com

Venta de Refacciones
Electrodomesticas

REFRIGERADOR WT2150S02



Distribuidor Autorizado

SurteRápido.com

Venta de Refacciones
Electrodomesticas

REFRIGERADOR WT2150S02

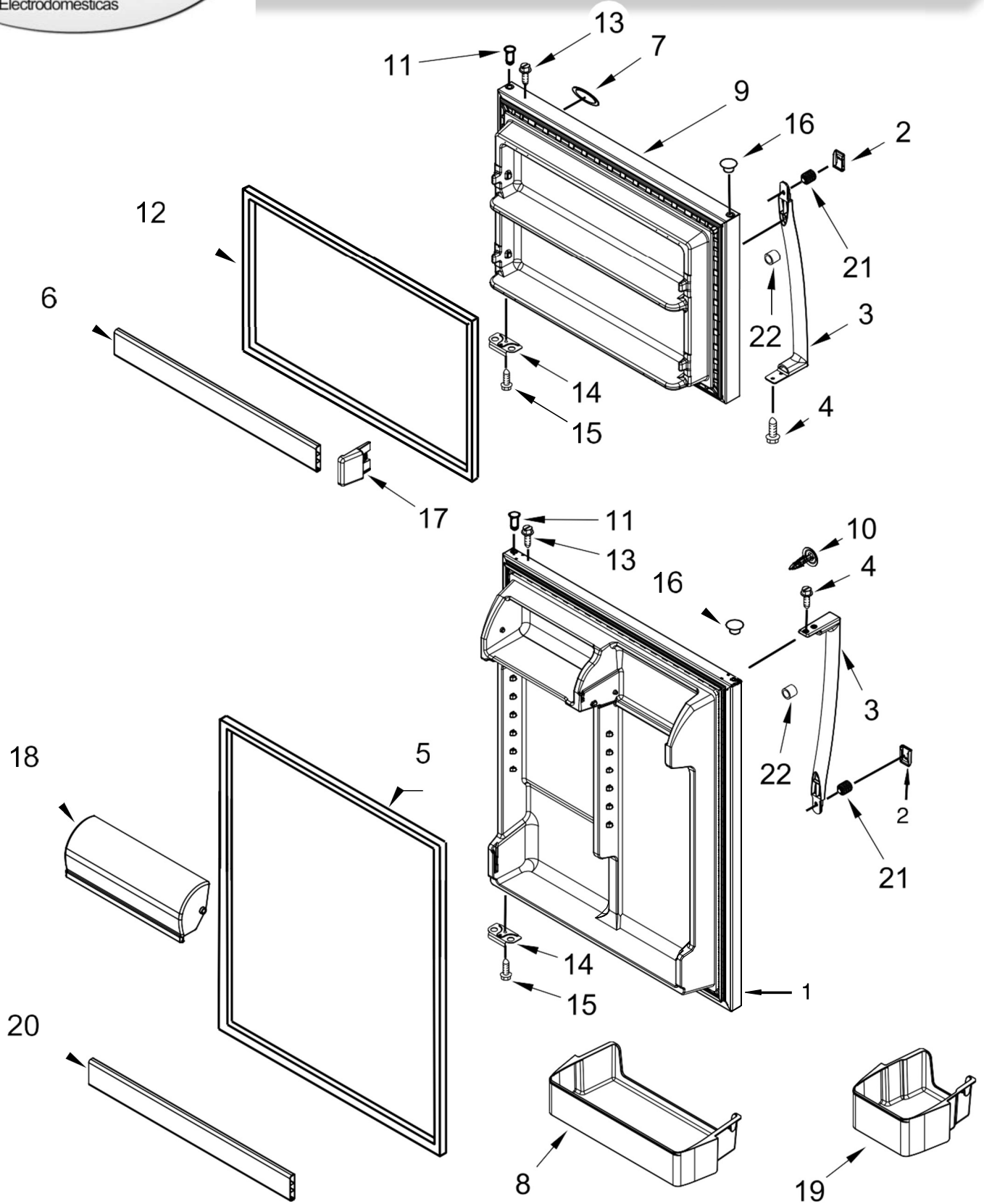
No. Ilustración	Descripción	Piezas	No. Parte
1	Liner	-	No serviceable
2	Grommet	2	2197380
3	Gasket, Evaporator Cover	2	2254360
4	Control, Adaptive Defrost	1	W10352689
5	Hole Plug	1	W10663739
6	Screw	-	488208
7	Wire Assembly, Control Box	1	W10576428
8	Socket, Light	1	W10134764
9	Screw	-	W10142283
10	Motor, Evaporator Fan	1	2315539
11	Blade, Fan	1	2200509
12	Air Tower Assembly, FC	1	W10654834
13	Assembly, Thermostat	1	W10610070
14	Cup, Air Diffuser	1	W10609502
15	Shield, Light	1	W10300161
16	Cover, Evaporator	1	W10617507
17	Lamp, LED	1	W10820003
18	Bracket, Evaporator Fan Rear	1	2254454
19	Switch, Rocker Arm	1	1118894
20	Bi-Metal, Defrost	1	W10392132
21	Cover, Air Diffuser	1	W10305175
22	Knob, Control	1	W10716304
23	Baffle, Air Manual	1	W10662269
24	Assembly, Air Diffuser	1	W10883330
25	WIRE ASSY-EVAP FAN,E/M TM-XL NOM17	1	W11086793
26	Knob, Air Control	1	W10570952
27	Tube, Thermostat Barrier	1	W10381575
28	Cover, Water Tube		N/A
29	Bracket, Fan Motor	1	W10321162
30	Spacer	1	W10418502
31	Box, Control	1	W10316941
32	Cup, Screw	-	W10336009
33	Cover, Light	1	W10348614
34	Screw	-	W10141596
35	Screw	-	489174
36	Valve, Release	1	2210509
37	Lamp, LED	1	W10574850
38	Socket, Light	1	W10440814
39	Lens, Light	1	W10313918
40	Housing, Freezer Lighting	1	W10313917

Distribuidor Autorizado

SurteRápido.com

Venta de Refacciones
Electrodomesticas

REFRIGERADOR WT2150S02



Distribuidor Autorizado

SurteRápido.com

Venta de Refacciones
Electrodomesticas



REFRIGERADOR WT2150S02

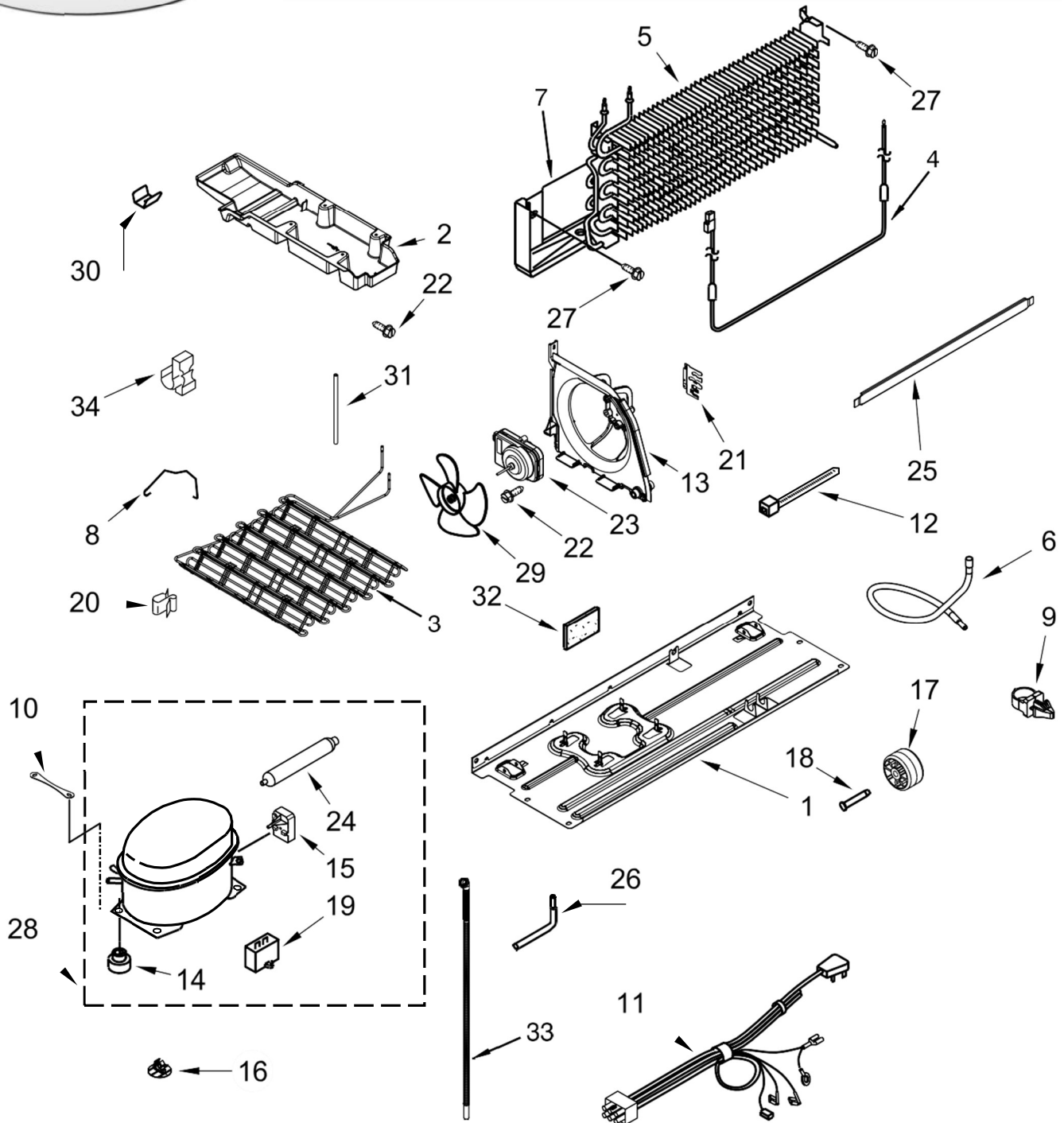
No. Ilustración	Descripción	Piezas	No. Parte
1	Refrigerator Door	1	W10648584
2	Handle, Trim	1	W10864207
3	Handle, Door	2	W10653471
4	Screw	-	489357
5	Door Gasket, Magnetic	1	W10171475
6	Trim, Door	2	W10592150
7	Nameplate	1	W10884775
8	Bin, Large Door	2	W10308868
9	Freezer Door	1	W10648583
10	Hole Plug	1	W10663739
11	Thimble-Top	2	W10334042
12	Door Gasket, Magnetic	1	W10171479
13	Screw	-	8281206
14	Bracket, Door Stop	2	2189202
15	Screw	-	489276
16	Hole Plug, Hinge Sleeve	1	2254517
17	Cap, Trim End	1	W10592153
18	Compartment, Door	1	W10601425
19	Bin, Medium	1	W10308869
20	Trim, Door	1	W10592148
21	Bushing, Handle	2	W10511911
22	Screw	-	W10170540

Distribuidor Autorizado

SurteRápido.com

Venta de Refacciones
Electrodomesticas

REFRIGERADOR WT2150S02



Distribuidor Autorizado

SurteRápido.com

Venta de Refacciones
Electrodomesticas



REFRIGERADOR WT2150S02

No. Ilustración	Descripción	Piezas	No. Parte
1	Baseplate	1	W10300118
2	Tray, Drain	1	W10802027
3	Condenser	1	W10609393
4	Heater, Defrost	1	W10316428
5	Assembly, Evaporator	1	W10570565
6	Tube, Suction	1	W10510988
7	Shield, Heat	1	W10314195
8	Strap, Bale	1	W10174384
9	Clip, Harness	1	2219077
10	Strap, Compressor	2	W10236396
11	Harness, Unit	1	W10410814
12	Tie, Wire	-	2263990
13	Baffle, Air	1	W10609392
14	Grommet	4	10835903SP
15	Device, Start	1	W10448874
16	Clip, Bottom Cover	3	W10815861
17	Roller	2	W10475495
18	Axle, Rivet	2	2179826
19	Capacitor	1	W10590088
20	Clip, Wire (Compressor)	3	939054
21	Bracket, Evaporator	2	W10314197
22	Screw	-	W10622701
23	Motor condensador	1	W10909387
24	Drier	1	W10669573
25	Cover, Heater	1	W10300902
26	Tube, Process	1	VS20001
27	Screw	-	489442
28	Compressor	1	W10575980
29	Blade, Fan	1	2200509
30	Clip, Condenser	4	W10248621
31	Valve, Drain	1	W10519112
32	Insulation, Sound	1	2215468
33	Tube, Drain	1	W10475011
34	Clip, Wire	2	2326941

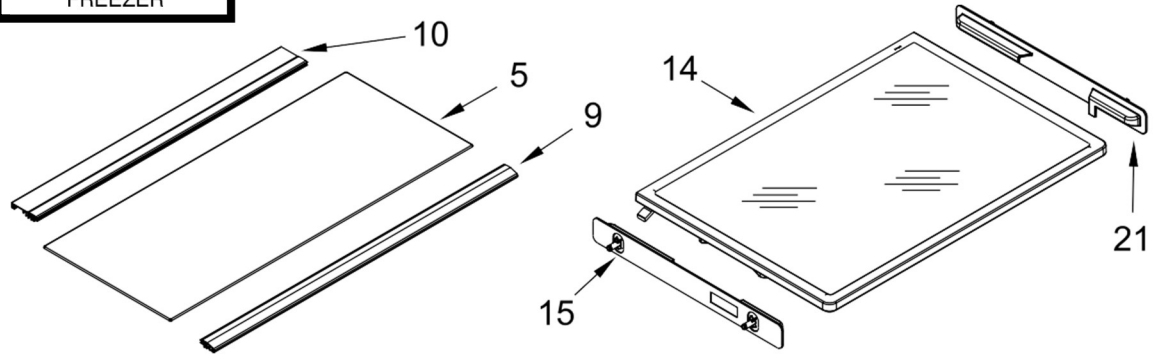
Distribuidor Autorizado

SurteRápido.com

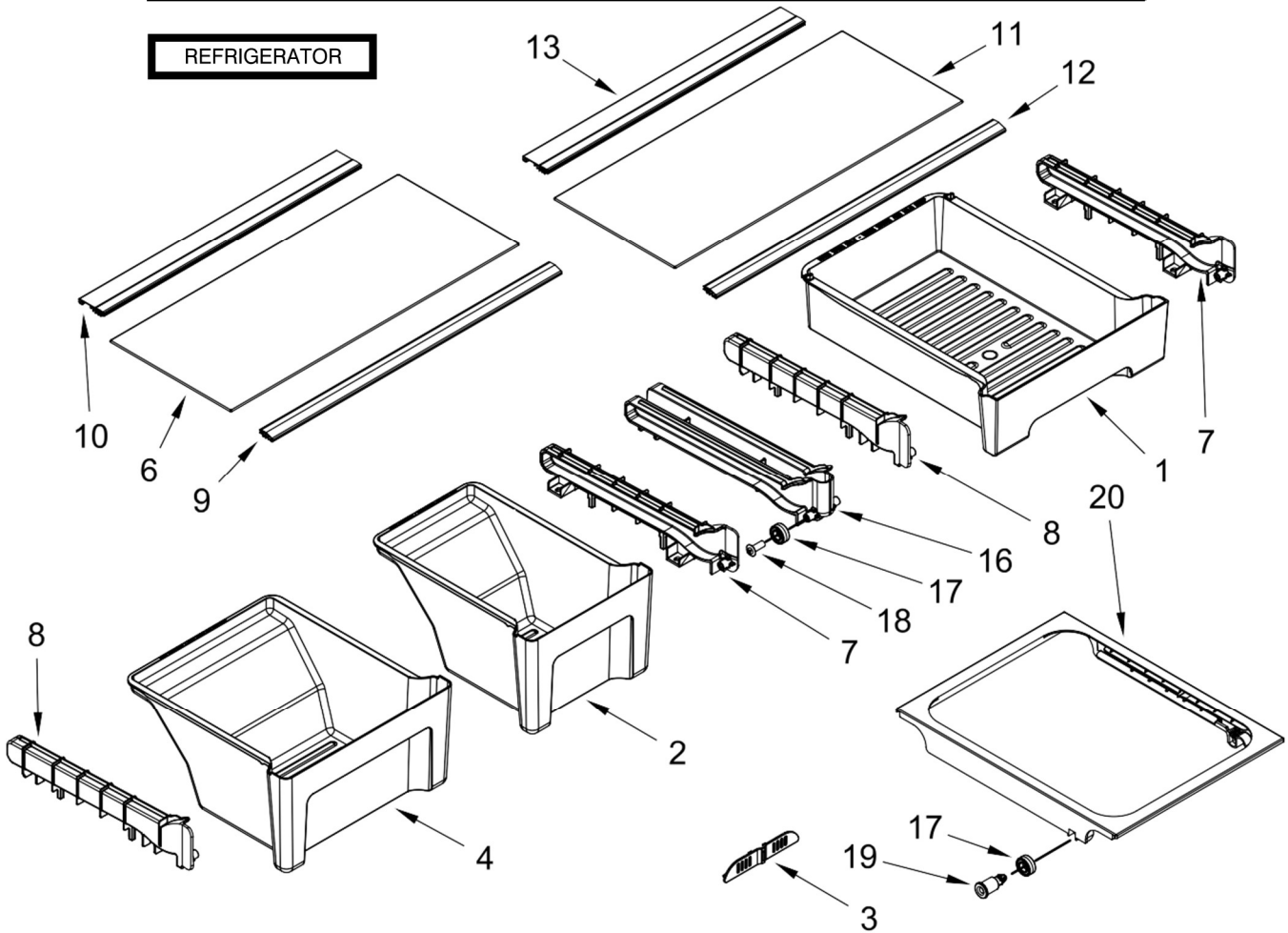
Venta de Refacciones
Electrodomesticas

REFRIGERADOR WT2150S02

FREEZER



REFRIGERATOR





REFRIGERADOR WT2150S02

No. Ilustración	Descripción	Piezas	No. Parte
1	Pan, Meat	1	W10714006
2	Pan, Crisper	1	W10662133
3	Control, Humidity	1	W10356844
4	Pan, Crisper 16"	1	W10663427
5	Assembly, Shelf Crisper	1	W10809779
6	Assembly, Shelf RC	1	W10809780
7	Track Rail, Right Hand	1	W10694151
8	Track Rail, Left Hand	1	W10694149
9	Trim, Shelf Front	1	W10809769
10	Trim, Shelf Rear	1	W10691459
11	Assembly, Shelf	1	W10691487
12	Trim, Shelf Front	1	W10691528
13	Trim, Shelf Rear	1	W10691529
14	Shelf, Freezer Glass	1	W10486291
15	Support, Freezer Shelf (Left Side)	1	W10345367
16	Track Rail, Center	1	W10694150
17	Roller, Pan	2	W10628713
18	Screw	-	3400065
19	Axle, Roller	2	W10628712
20	Holder, Meat Pan	1	W10628698
21	Support, Freezer Shelf (Right Side)	1	W10345368