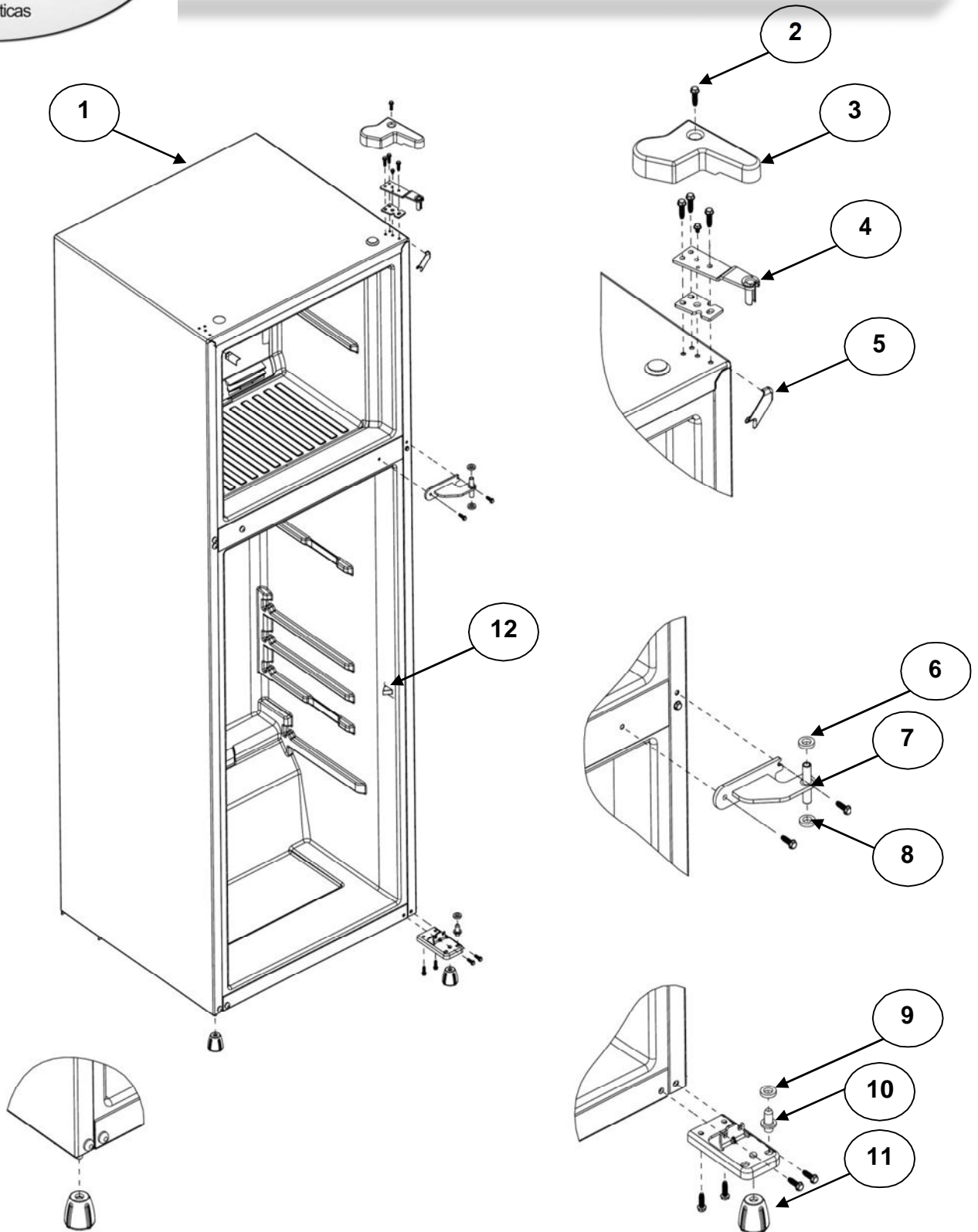




EXPLOSIONADO DE PARTES — REFRIGERADOR NACIONAL —

MODELO | WT2530S02

REFRIGERADOR WT2530S02

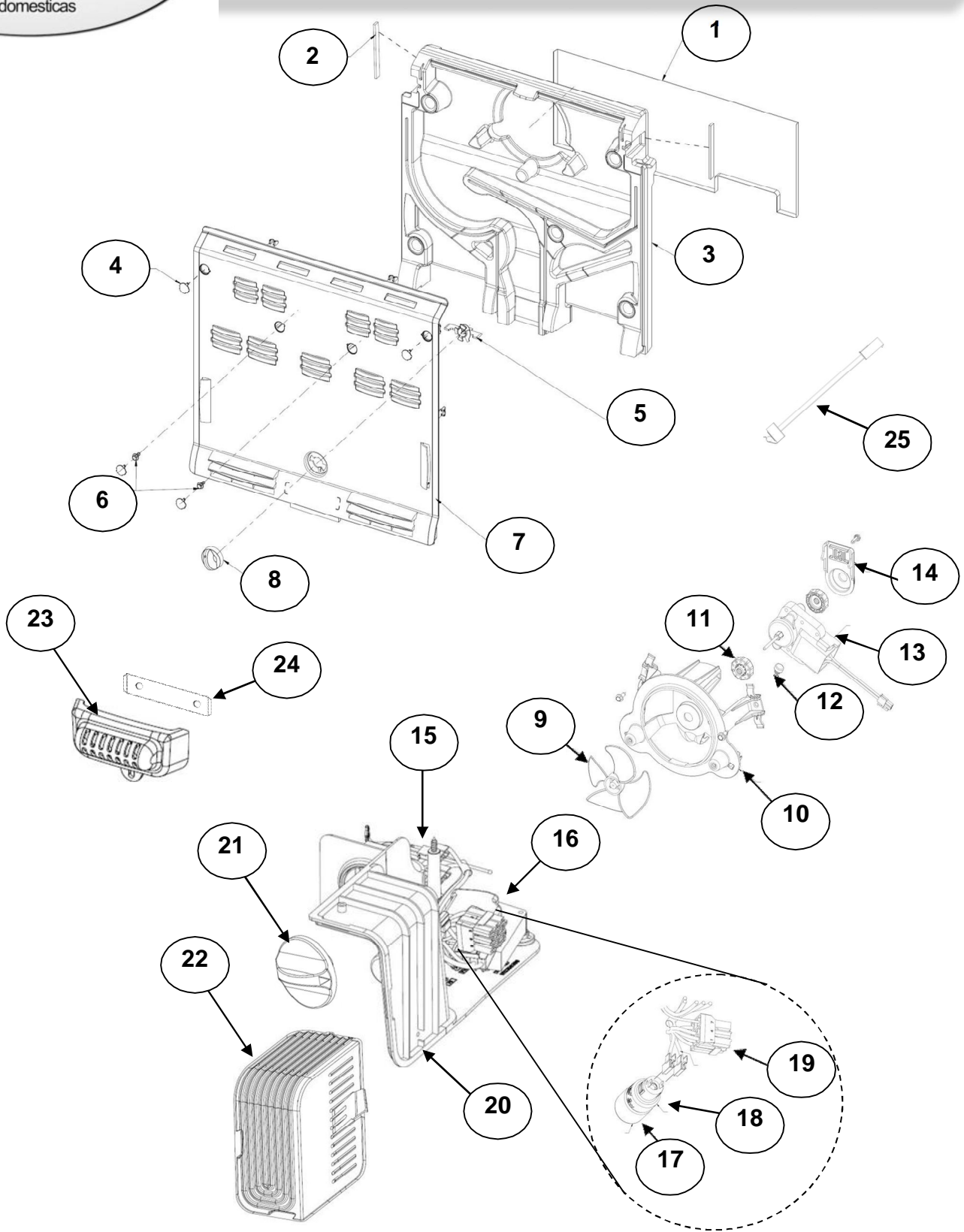




REFRIGERADOR WT2530S02

No. Ilus.	DESCRIPCIÓN	Cant.	No. de Parte
1	Cabinet Parts	*	*****
2	Screw	*	*****
3	Cover, Hinge	*	*****
4	Hinge, top	1	W10346928
4a	Shim Hinge, top		W10399311
5	Corner-decal, LS	1	W10516216
5	Corner-decal, RS	1	W10516210
6	Washer	1	487576
7	Hinge, Center	1	W10492014
7a	Shim Hinge, Center	1	W10399330
8	Washer	1	489341
9	Hinge-Pin, Bottom	1	2325483
10	Hinge-Butt, Bottom	1	W10347340
10a	Shim Hinge-Butt, Bottom	1	W10399313
11	Leg Leveler	2	W10340017
12	Switch Rocker	1	1118894

REFRIGERADOR WT2530S02

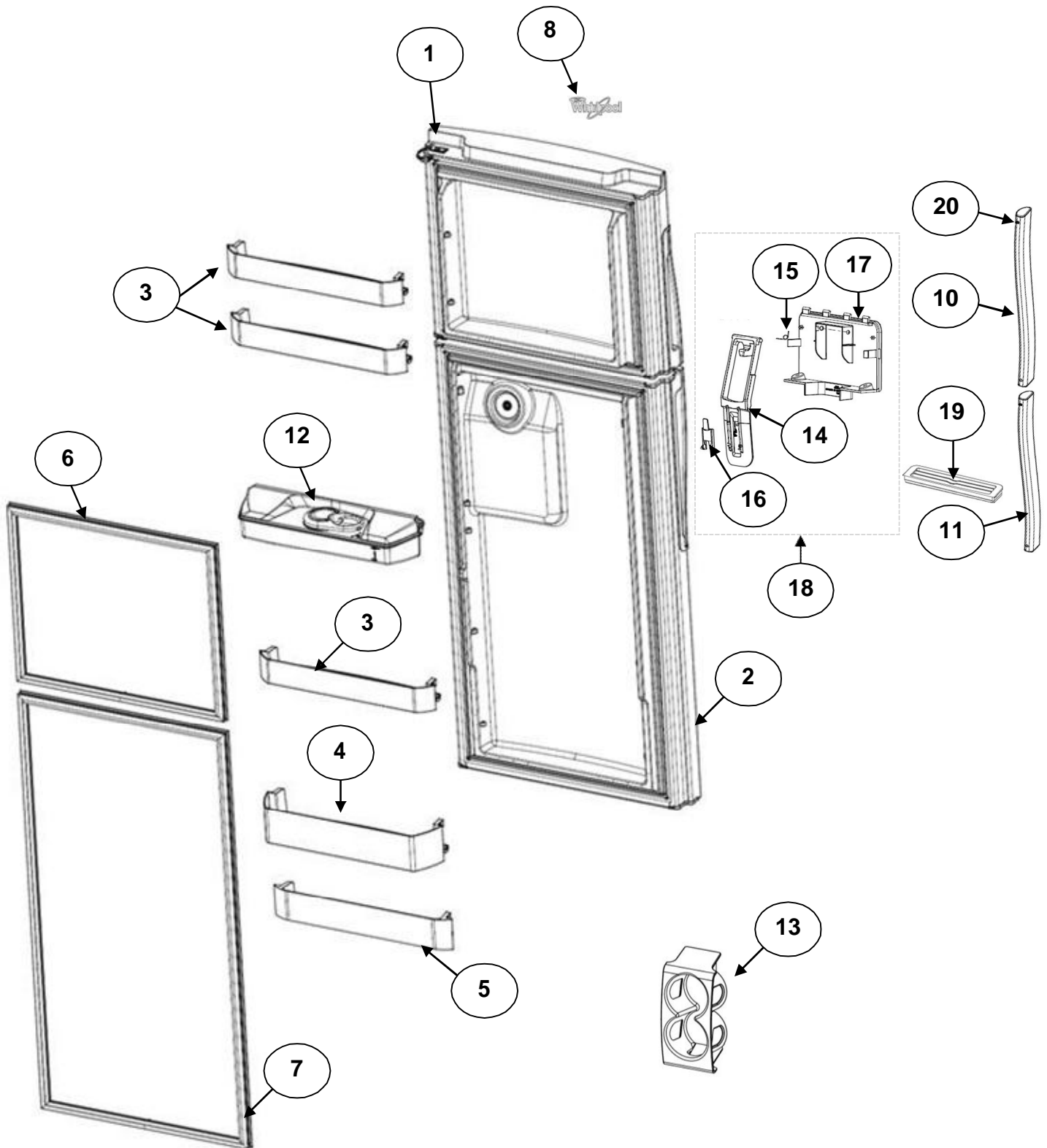




REFRIGERADOR WT2530S02

<u>No.</u>	<u>DESCRIPCIÓN</u>	<u>Cant.</u>	<u>No. de Parte</u>
1	Shield, Plenum	1	W10345816
2	Foam Seal	*	*****
3	Evaporator, Back Cover	1	W10420509
4	Screw, Cover	4	W10487421
5	Flap	1	W10261263
6	Screw	*	*****
7	Cover Plastic, Plenum FC	1	W10431249
8	Knob, Freezer Control	1	W10465177
9	Fan Blade	1	2200509
10	Frame, Fan Motor	1	W10261254
11	Grommet	2	W10225833
12	Cushiong, Jamb-Damping	1	W10225835
13	Evaporator Fan, Motor	1	W10253821
14	Motor, Support	1	W10251274
15	Thermostat	1	W10273879
16	Defrost, Timer	1	2162045
17	LED Lamp 127V	1	W10318700
18	Lampholder	1	2263413
19	Wire, Control Box	1	W10412780
20	Knob, Refrigerator Control	1	W10465179
21	Control Box	1	W10358069
22	Lens Control Box	1	W10482886
23	Housing, SHK	1	W10286060
24	Inertial Mass	1	W10490685
25	Bimetal	1	W10249331

REFRIGERADOR WT2530S02

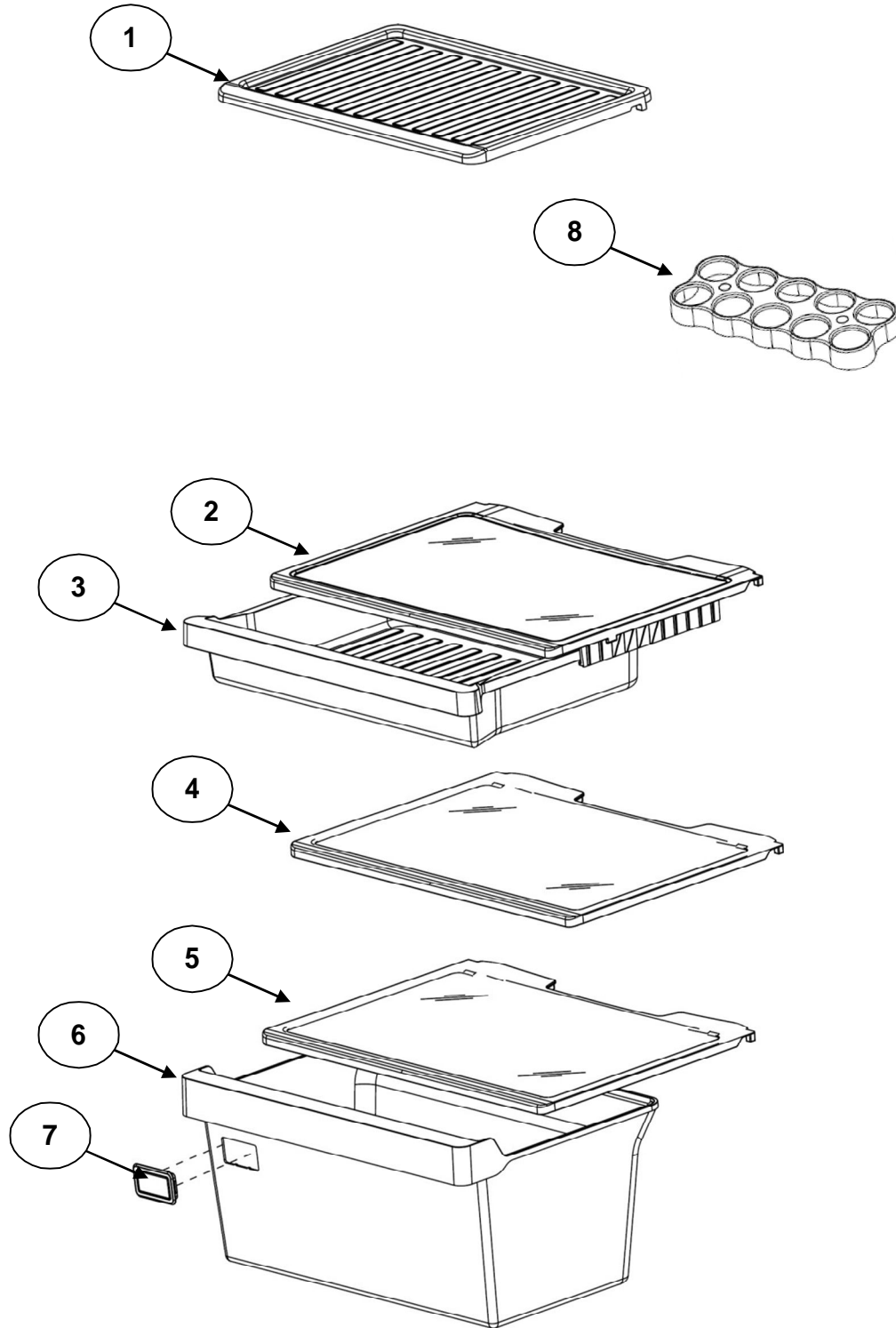




REFRIGERADOR WT2530S02

No. Ilus.	DESCRIPCIÓN	Cant.	No. de Parte
1	Door, Assy (FC)	1	W10503228
2	Door, Assy (RC)	1	W10503229
3	Bin, Door FC/RC (Shallow)	3	W10364007
4	Bin, Door RC (Gallon)	1	W10465186
5	Trivet, Door (RC)	1	W10364009
6	Gasket, Door (FC)	1	W10507440
7	Gasket, Door (RC)	1	W10507449
8	Nameplate	1	W10481433
10	Handle Assy Door FC	1	W10468168
11	Handle Assy Door RC	1	W10468171
12	Water Tank	1	W10415856
13	Can Rack	1	W10439201
14	Paddle, Water Dispenser	1	W10515048
15	Spring	1	W10396890
16	Lock Paddle	1	W10515046
17	Fascia Assy Dec.	1	W10504826
18	Fascia & Paddle Assy	1	W10447221
19	Drip Tray	1	W10514149
20	Set Screw Cover	1	W10516199

REFRIGERADOR WT2530S02

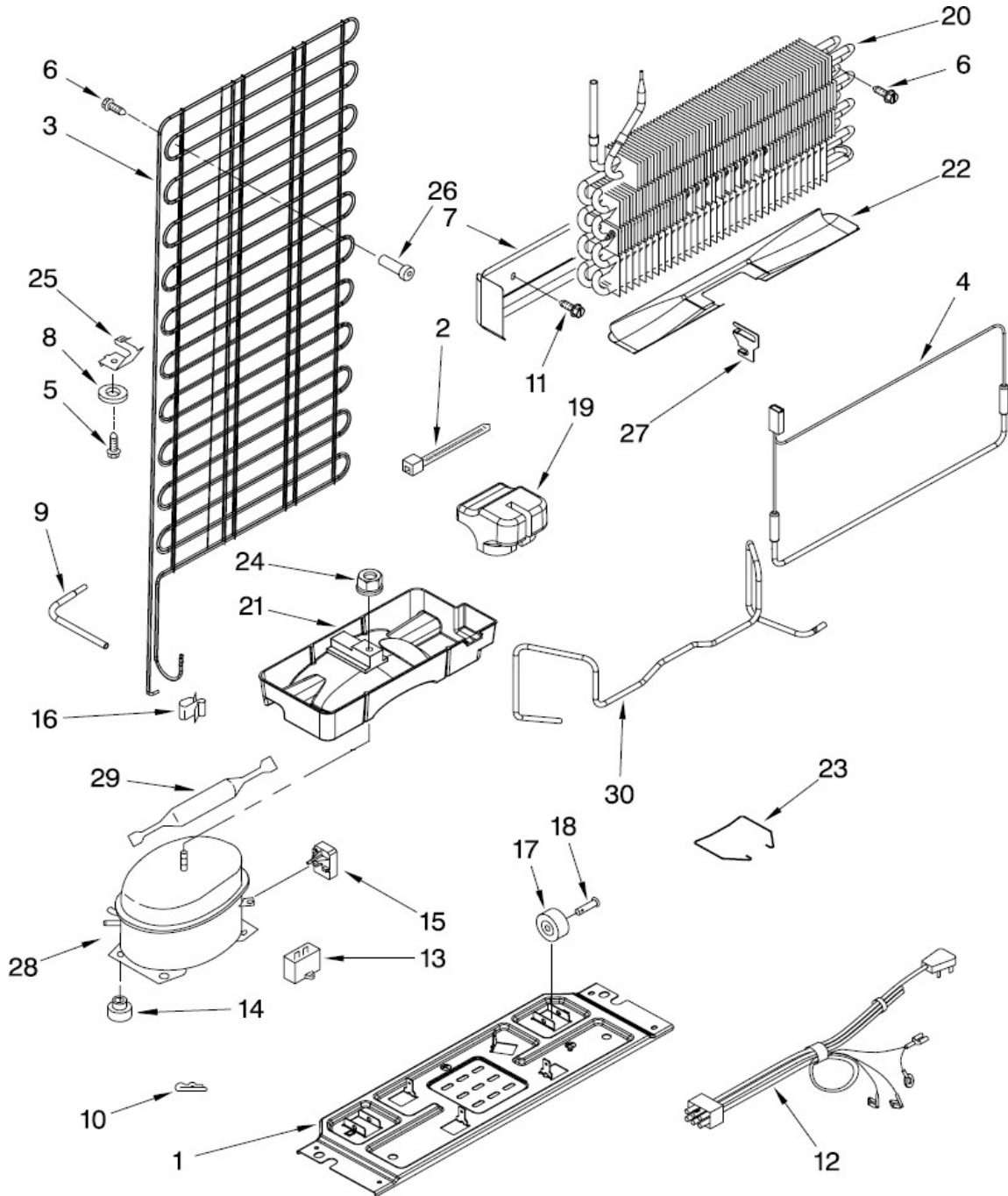




REFRIGERADOR WT2530S02

No. Ilus.	DESCRIPCIÓN	Cant.	No. de Parte
1	Shelf, Assy FC (Plastic)	1	W10345525
2	Cover, Meat Pan	1	W10383565
3	Meat, Pan	1	W10340890
4	Shelf, Assy RC (Glass)	1	W10465190
5	Cover, Crisper Pan	1	W10337637
6	Crisper Pan	1	W10465183
7	Control, Humidity	1	W10435534
8	Egg Rack	1	2219124

REFRIGERADOR WT2530S02





REFRIGERADOR WT2530S02

No. Ilus.	DESCRIPCIÓN	Cant.	No. de Parte
1	Support Plate, Compressor	1	W10378704
2	Strap	1	2263990
3	Condenser	1	W10439364
4	Heater, Defrost	1	W10331598
5	Screw	*	*****
6	Screw	*	*****
7	Heat Shield	1	W10345815
8	Washer	*	*****
9	Tube, Process	*	*****
10	Clip Compressor	*	*****
11	Screw	*	*****
12	Power, Cord	1	W10478134
13	Capacitor	1	2264017
14	Grommet	4	2264447
15	Combo, Device	1	W10330832
16	Clip, Wire	*	*****
17	Roller	2	W10475495
18	Axle, Rivet	2	2179826
19	Wedge, Evaporator	2	W10261299
20	Evaporator Assy	1	W10267452
21	Evaporator Tray	1	W10512189
22	Drain Pan	*	*****
23	Bale Strap	1	W10174383
24	Hex Nut	*	*****
25	Clip, Condenser Mounting	*	*****
26	Support, Condenser	4	326020544
27	Bracket	2	W10286974
28	Compressor	1	W10431332
29	Drier	1	W10190413
30	Tube Discharge	*	*****