

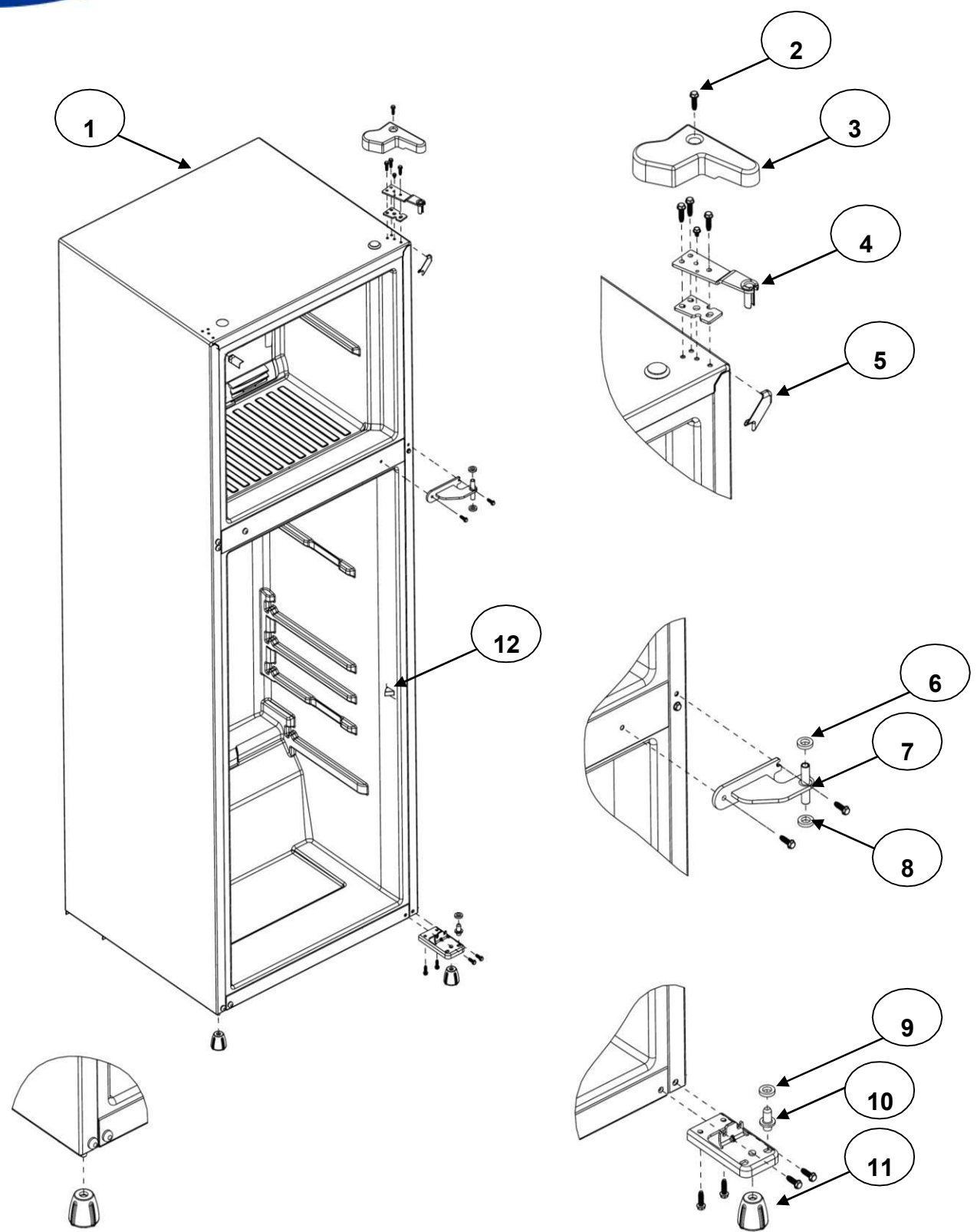


# EXPLOSIONADO DE PARTES — REFRIGERADOR NACIONAL —

MODELO | WT3330D00



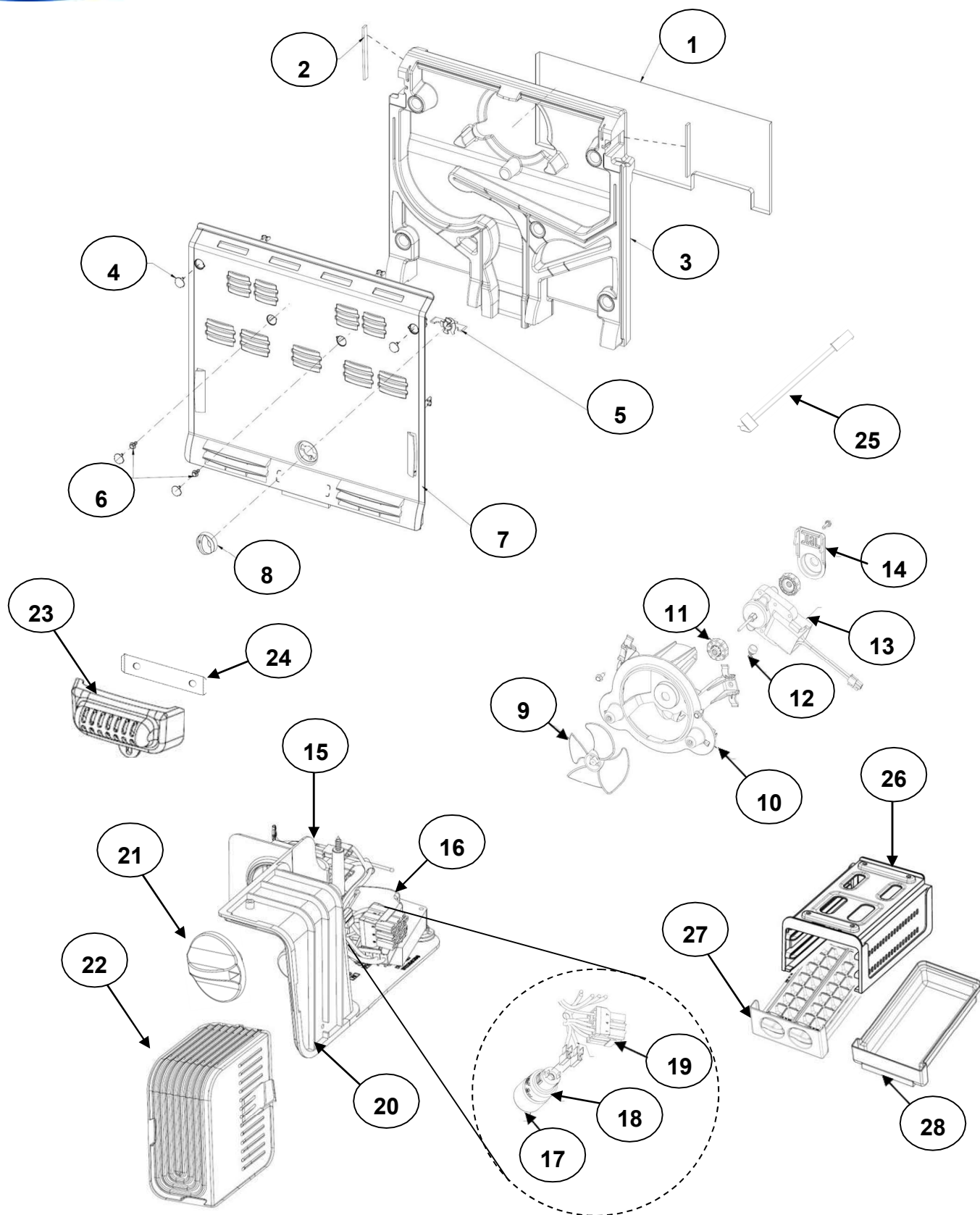
# REFRIGERADOR WT3330D00





# REFRIGERADOR WT3330D00

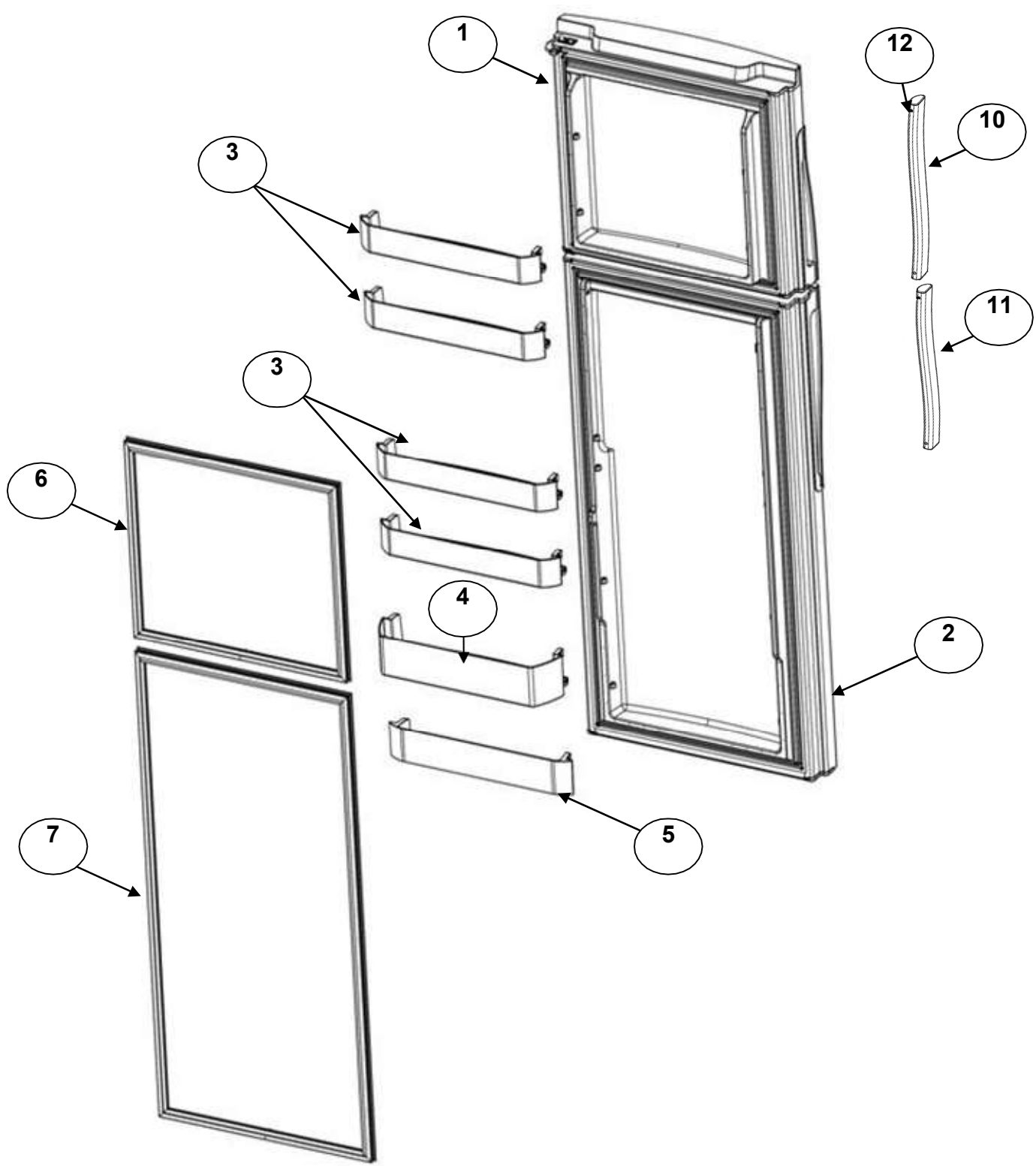
<u>No.</u>	<u>DESCRIPCIÓN</u>	<u>Cant.</u>	<u>No. de Parte</u>
<b>1</b>	Cabinet Parts	*	*****
<b>2</b>	Screw	*	*****
<b>3</b>	Cover, Hinge	*	*****
<b>4</b>	Hinge, top	1	W10346928
<b>4a</b>	Shim Hinge, top	1	W10399311
<b>5</b>	Corner-decal, LS	1	W10516216
<b>5</b>	Corner-decal, RS	1	W10516210
<b>6</b>	Washer	1	487576
<b>7</b>	Hinge, Center	1	W10492014
<b>7a</b>	Shim Hinge, Center	1	W10399330
<b>8</b>	Washer	1	489341
<b>9</b>	Hinge-Pin, Bottom	1	2325483
<b>10</b>	Hinge-Butt, Bottom	1	W10347340
<b>10a</b>	Shim Hinge-Butt, Bottom	1	W10399313
<b>11</b>	Leg Leveler	2	W10340017
<b>12</b>	Switch Rocker	1	1118894





# REFRIGERADOR WT3330D00

<b>No.</b>	<b>DESCRIPCIÓN</b>	<b>Cant.</b>	<b>No. de Parte</b>
<b>1</b>	Shield, Plenum	1	W10345816
<b>2</b>	Foam Seal	*	*****
<b>3</b>	Evaporator, Back Cover	1	W10420509
<b>4</b>	Screw, Cover	4	W10487421
<b>5</b>	Flap	1	W10261263
<b>6</b>	Screw	*	*****
<b>7</b>	Cover Plastic, Plenum FC	1	W10431249
<b>8</b>	Knob, Freezer Control	1	W10465177
<b>9</b>	Fan Blade	1	2200509
<b>10</b>	Frame, Fan Motor	1	W10261254
<b>11</b>	Grommet	2	W10225833
<b>12</b>	Cushiong, Jamb-Damping	1	W10225835
<b>13</b>	Evaporator Fan, Motor	1	W10253821
<b>14</b>	Motor, Support	1	W10251274
<b>15</b>	Thermostat	1	W10273879
<b>16</b>	Defrost, Timer	1	2162045
<b>17</b>	LED Lamp 127V	1	W10318700
<b>18</b>	Lampholder	1	2263413
<b>19</b>	Wire, Control Box	1	W10412780
<b>20</b>	Knob, Refrigerator Control	1	W10465179
<b>21</b>	Control Box	1	W10358069
<b>22</b>	Lens Control Box	1	W10482886
<b>23</b>	Housing, SHK	1	W10286060
<b>24</b>	Inertial Mass	1	W10490685
<b>25</b>	Bimetal	1	W10249331
<b>26</b>	Twist Ice Support	1	2265367
<b>27</b>	Ice Tray Assy	1	W10304316
<b>28</b>	Pan Ice Cube	1	W10453417



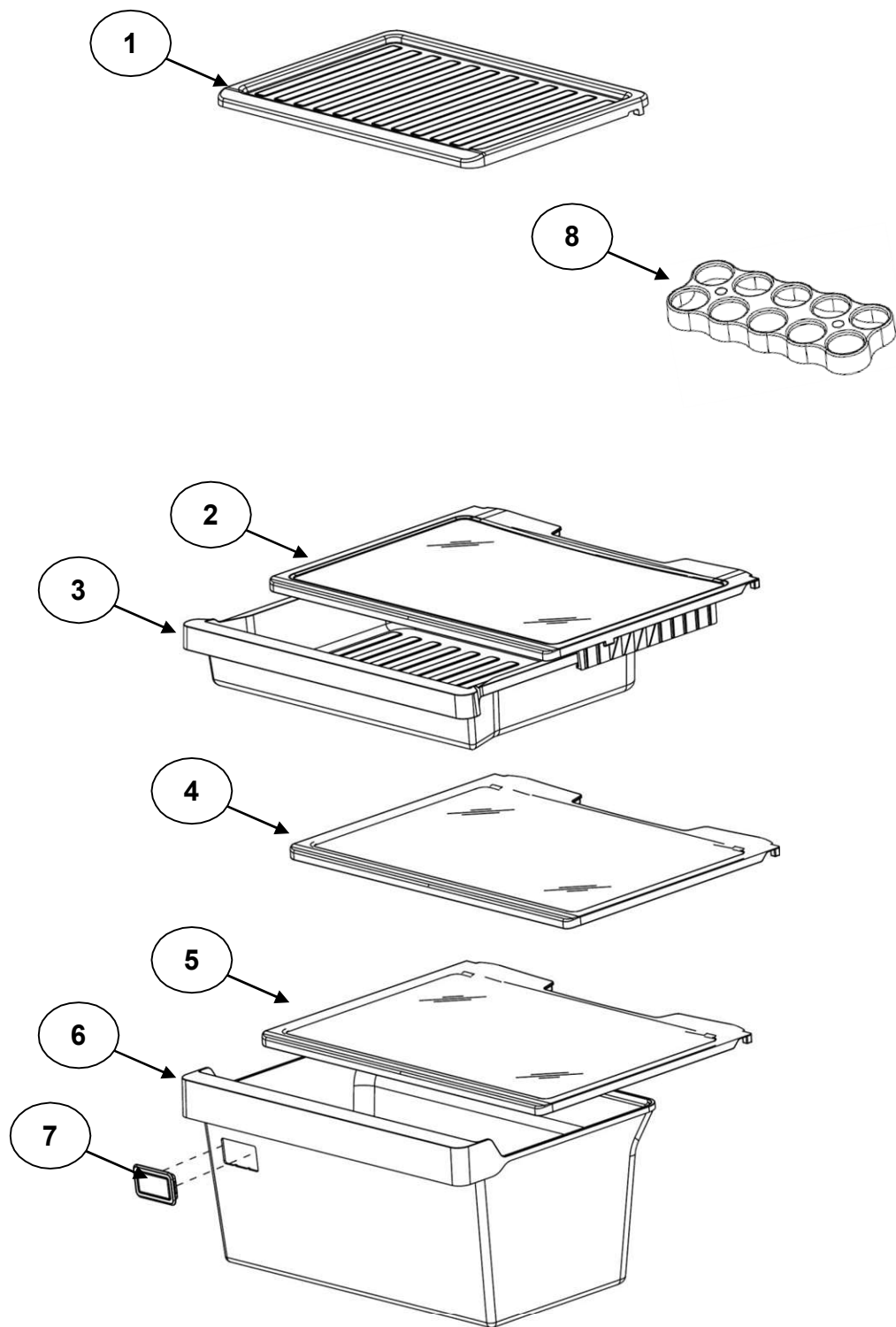


# REFRIGERADOR WT3330D00

<b>No. Ilus.</b>	<b>DESCRIPCIÓN</b>	<b>Cant.</b>	<b>No. de Parte</b>
1	Door, Assy (FC)	1	W10503230
2	Door, Assy (RC)	1	W10486856
3	Bin, Door FC/RC (Shallow)	4	W10364007
4	Bin, Door RC (Gallon)	1	W10465186
5	Trivet, Door (RC)	1	W10364009
6	Gasket, Door (FC)	1	W10507440
7	Gasket, Door (RC)	1	W10507457
8	Nameplate	1	W10481433
10	Handle Assy Door FC	1	W10468168
11	Handle Assy Door RC	1	W10468171
12	Set Screw Cover	1	W10516199



# REFRIGERADOR WT3330D00





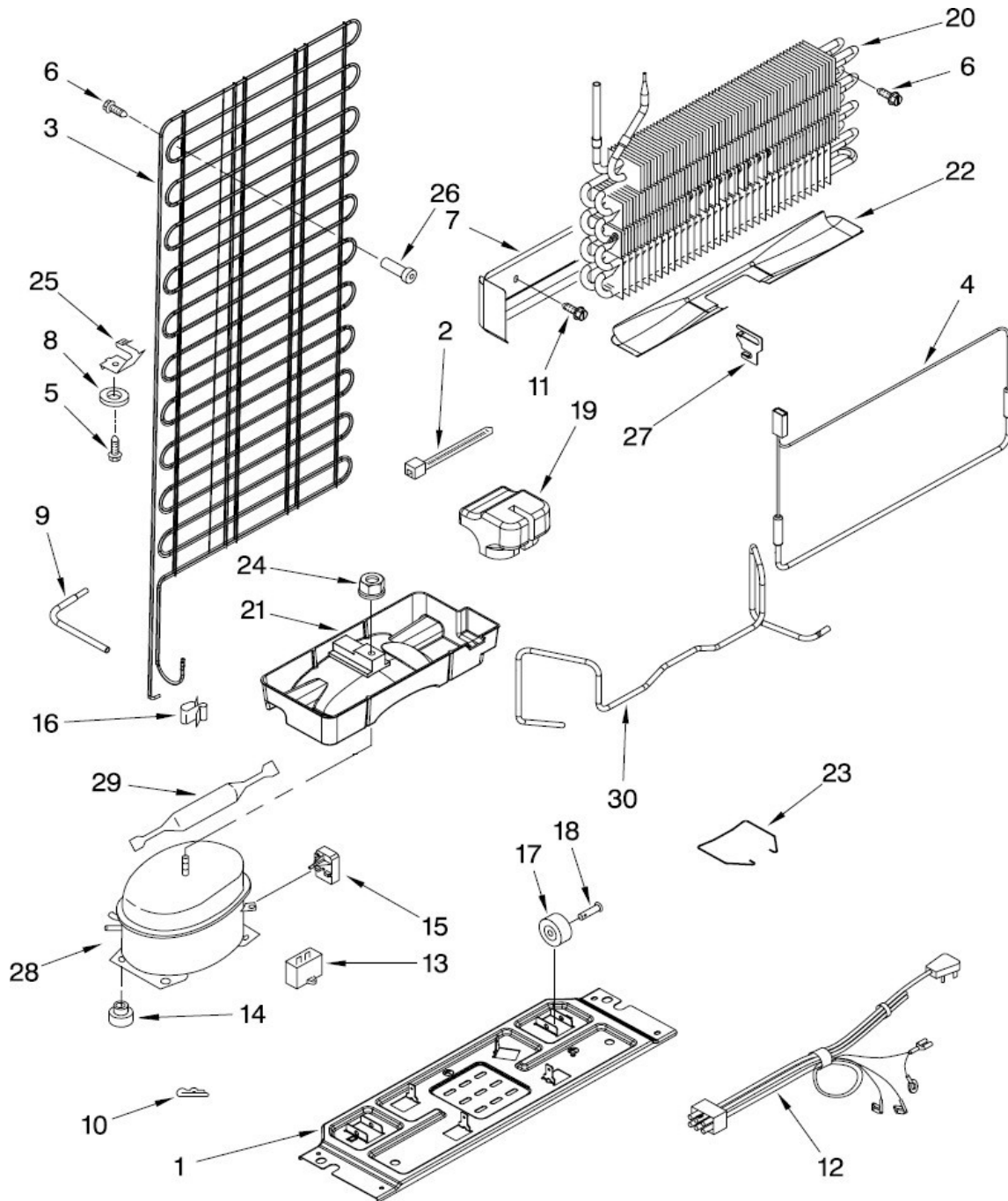


# REFRIGERADOR WT3330D00

<b>No.</b>			
<b>Ilus.</b>	<b>DESCRIPCIÓN</b>	<b>Cant.</b>	<b>No. de Parte</b>
1	Shelf, Assy FC (Plastic)	1	W10345525
2	Cover, Meat Pan	1	W10383565
3	Meat, Pan	1	W10340890
4	Shelf, Assy RC (Glass)	1	W10465190
5	Cover, Crisper Pan	1	W10337637
6	Crisper Pan	1	W10465183
7	Control, Humidity	1	W10435534
8	Egg Rack	1	2219124



# REFRIGERADOR WT3330D00





# REFRIGERADOR WT3330D00

No. Ilus.	DESCRIPCIÓN	Cant.	No. de Parte
1	Support Plate, Compressor	1	W10378704
2	Strap	1	2263990
3	Condenser	1	W10439364
4	Heater, Defrost	1	W10331598
5	Screw	*	*****
6	Screw	*	*****
7	Heat Shield	1	W10345815
8	Washer	*	*****
9	Tube, Process	*	*****
10	Clip Compressor	*	*****
11	Screw	*	*****
12	Power, Cord	1	W10523673
13	Capacitor	1	2264017
14	Grommet	4	2264447
15	Combo, Device	1	W10330832
16	Clip, Wire	*	*****
17	Roller	2	W10475495
18	Axle, Rivet	2	2179826
19	Wedge, Evaporator	2	W10261299
20	Evaporator Assy	1	W10267452
21	Evaporator Tray	1	W10512189
22	Drain Pan	*	*****
23	Bale Strap	1	W10174383
24	Hex Nut	*	*****
25	Clip, Condenser Mounting	*	*****
26	Support, Condenser	4	326020544
27	Bracket	2	W10286974
28	Compressor	1	W10431332
29	Drier	1	W10190413
30	Tube Discharge	*	*****