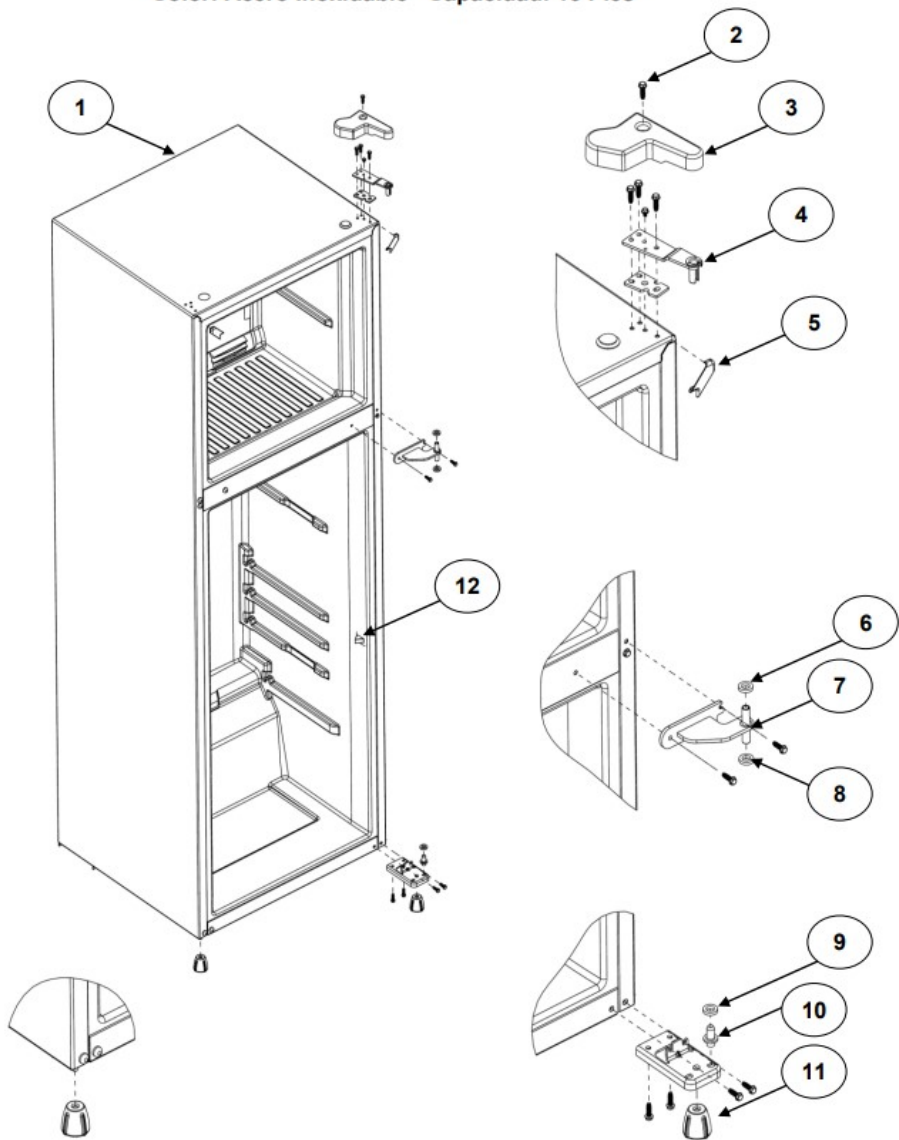


### GABINETE

Modelo: WT3530S01

Color: Acero Inoxidable Capacidad: 13 Pies



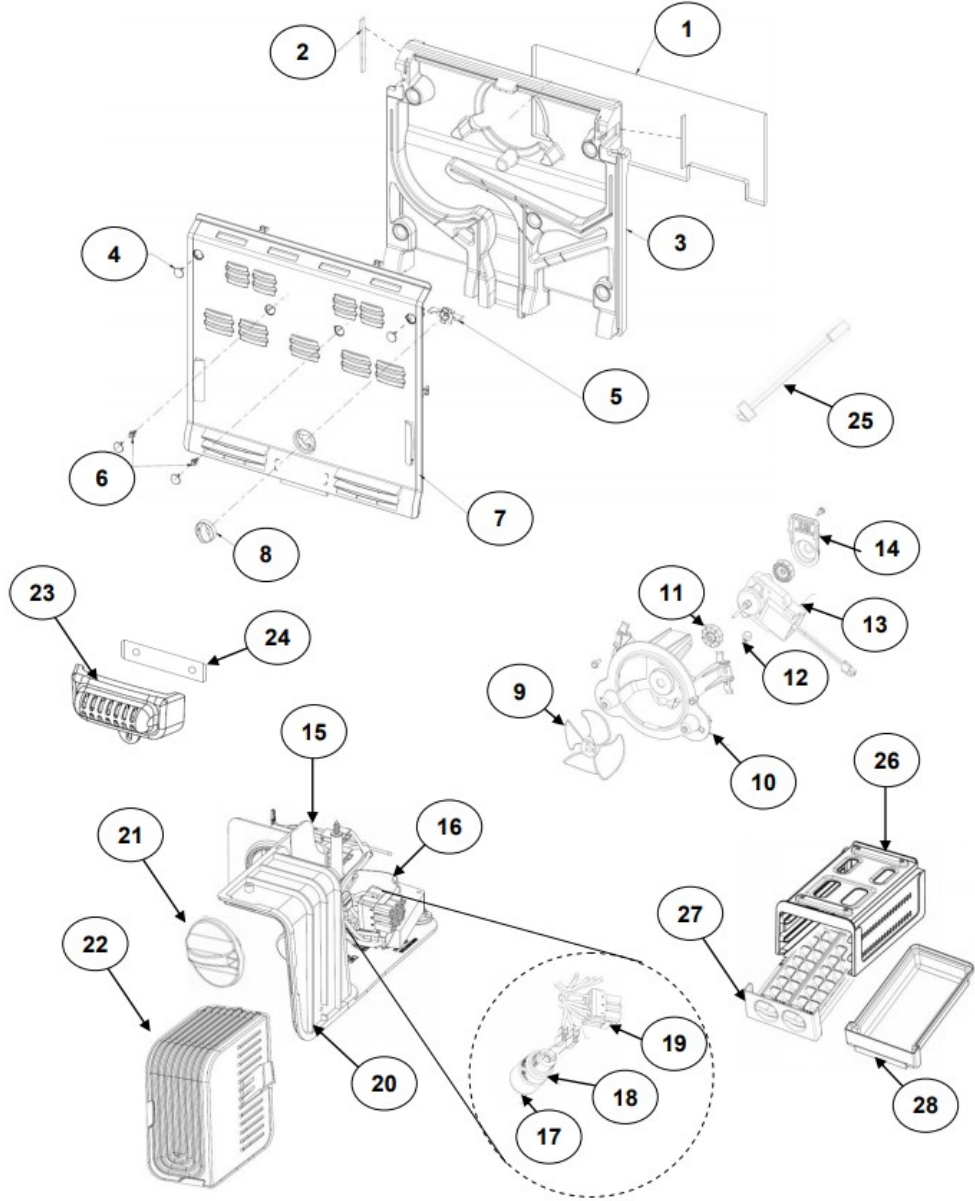


**Refrigerador Whirlpool WT3530S01**

<b>No. Ilus.</b>	<b>DESCRIPCIÓN</b>	<b>No. de Parte</b>
<b>1</b>	Cabinet Parts	*****
<b>2</b>	Screw	*****
<b>3</b>	Cover, Hinge	*****
<b>4</b>	Hinge, top	W10346928
<b>4a</b>	Shim Hinge, top	W10399311
<b>5</b>	Corner-decal, LS	W10516216
<b>5</b>	Corner-decal, RS	W10516210
<b>6</b>	Washer	487576
<b>7</b>	Hinge, Center	W10492014
<b>7a</b>	Shim Hinge, Center	W10399330
<b>8</b>	Washer	489341
<b>9</b>	Hinge-Pin, Bottom	2325483
<b>10</b>	Hinge-Butt, Bottom	W10347340
<b>10a</b>	Shim Hinge-Butt, Bottom	W10399313
<b>11</b>	Leg Leveler	W10340017
<b>12</b>	Switch Rocker	1118894

Refrigerador Whirlpool WT3530S01

**SISTEMA DE FLUJO DE AIRE**  
 Modelo: WT3530S01  
 Color: Acero Inoxidable Capacidad: 13 Pies





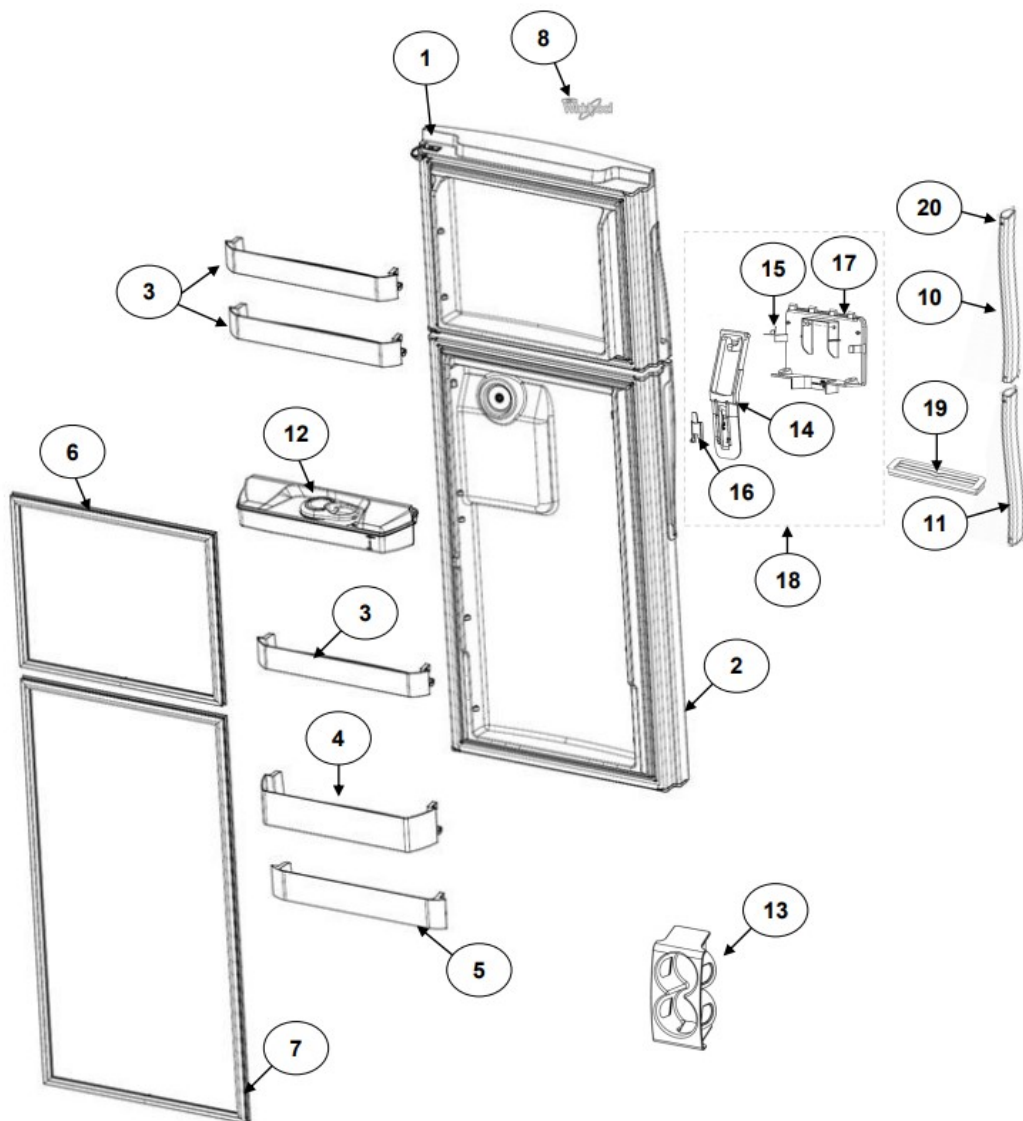
## Refrigerador Whirlpool WT3530S01

<b>No. Ilus.</b>	<b>DESCRIPCIÓN</b>	<b>No. de Parte</b>
1	Shield, Plenum	W10345816
2	Foam Seal	*****
3	Evaporator, Back Cover	W10420509
4	Screw, Cover	W10487421
5	Flap	W10261263
6	Screw	*****
7	Cover Plastic, Plenum FC	W10431249
8	Knob, Freezer Control	W10465177
9	Fan Blade	2200509
10	Frame, Fan Motor	W10261254
11	Grommet	W10225833
12	Cushiong, Jamb-Damping	W10225835
13	Evaporator Fan, Motor	W10253821
14	Motor, Support	W10251274
15	Thermostat	W10273879
16	Defrost, Timer	2162045
17	LED Lamp 127V	W10318700
18	Lampholder	2263413
19	Wire, Control Box	W10412780
20	Knob, Refrigerator Control	W10465179
21	Control Box	W10358069
22	Lens Control Box	W10482886
23	Housing, SHK	W10286060
24	Inertial Mass	W10490685
25	Bimetal	W10249331
26	Twist Ice Support	2265367
27	Ice Tray Assy	W10304316
28	Pan Ice Cube	W10453417

## PUERTAS

Modelo: WT3530S01

Color: Acero Inoxidable Capacidad: 13 Pies





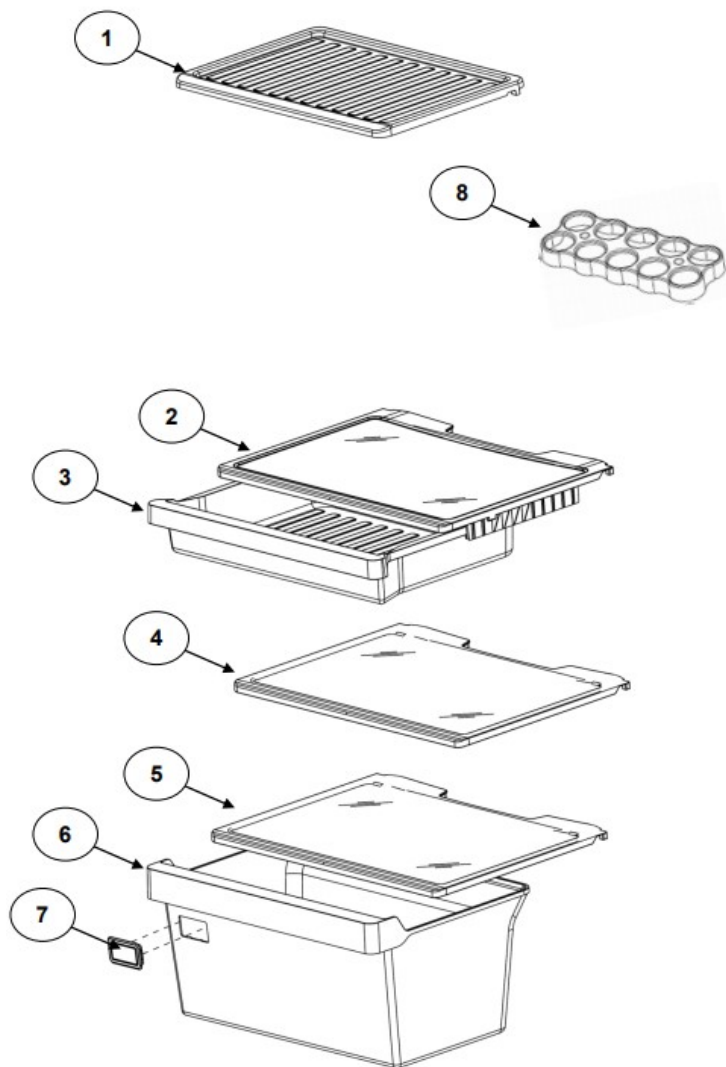
## Refrigerador Whirlpool WT3530S01

<b>No. Ilus.</b>	<b>DESCRIPCIÓN</b>	<b>No. de Parte</b>
<b>1</b>	Door, Assy (FC)	W10503232
<b>2</b>	Door, Assy (RC)	W10462963
<b>3</b>	Bin, Door FC/RC (Shallow)	W10364007
<b>4</b>	Bin, Door RC (Gallon)	W10465186
<b>5</b>	Trivet, Door (RC)	W10364009
<b>6</b>	Gasket, Door (FC)	W10507440
<b>7</b>	Gasket, Door (RC)	W10507457
<b>8</b>	Nameplate	W10481433
<b>10</b>	Handle Assy Door FC	W10468168
<b>11</b>	Handle Assy Door RC	W10468171
<b>12</b>	Water Tank	W10415856
<b>13</b>	Can Rack	W10439201
<b>14</b>	Paddle, Water Dispenser	W10515048
<b>15</b>	Spring	W10396890
<b>16</b>	Lock Paddle	W10515046
<b>17</b>	Fascia Assy Dec.	W10504826
<b>18</b>	Fascia & Paddle Assy	W10447221
<b>19</b>	Drip Tray	W10514149
<b>20</b>	Set Screw Cover	W10516199

## PARRILLAS

Modelo: WT3530S01

Color: Acero Inoxidable Capacidad: 13 Pies



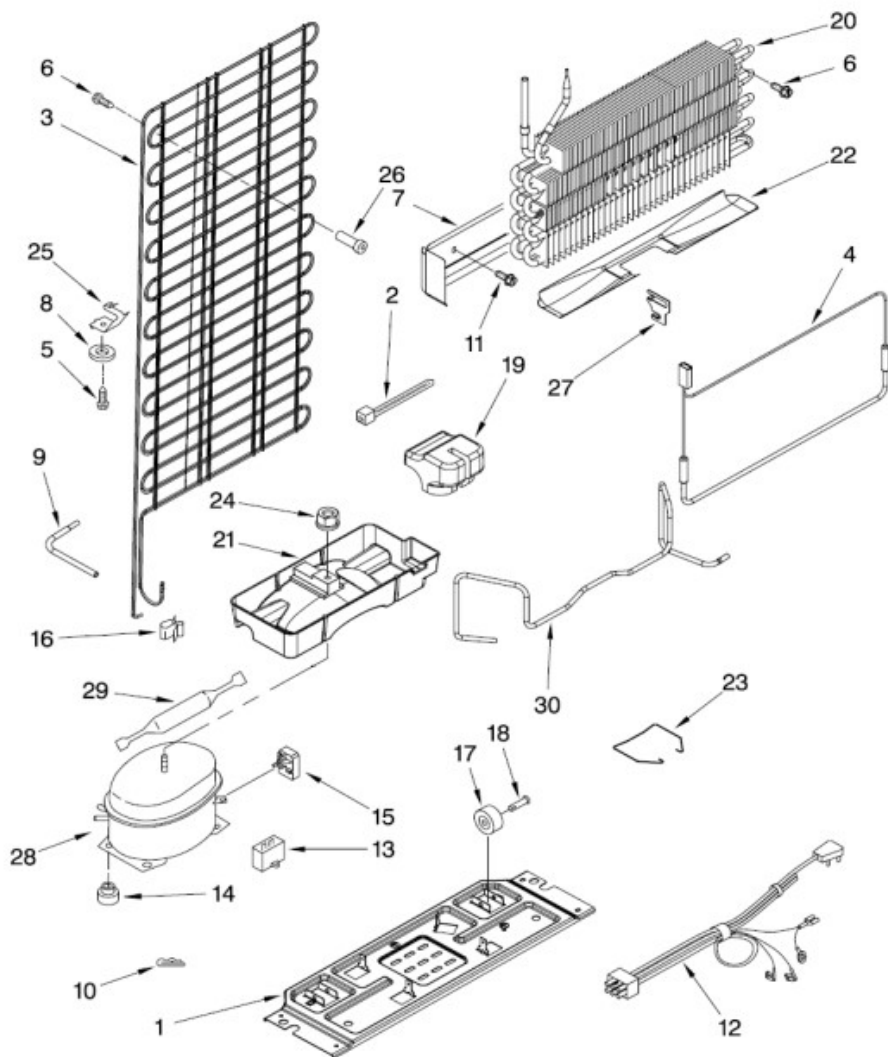


## Refrigerador Whirlpool WT3530S01

<b>No. Ilus.</b>	<b>DESCRIPCIÓN</b>	<b>No. de Parte</b>
<b>1</b>	Shelf, Assy FC (Plastic)	W10345525
<b>2</b>	Cover, Meat Pan	W10383565
<b>3</b>	Meat, Pan	W10340890
<b>4</b>	Shelf, Assy RC (Glass)	W10465190
<b>5</b>	Cover, Crisper Pan	W10337637
<b>6</b>	Crisper Pan	W10465183
<b>7</b>	Control, Humidity	W10435534
<b>8</b>	Egg Rack	2219124



**SISTEMA DE SELLADO**  
 Modelo: WT3530S01  
 Color: Acero Inoxidable Capacidad: 13 Pies





## Refrigerador Whirlpool WT3530S01

<b>No. Ilus.</b>	<b>DESCRIPCIÓN</b>	<b>No. de Parte</b>
<b>1</b>	Support Plate, Compressor	W10378704
<b>2</b>	Strap	2263990
<b>3</b>	Condenser	W10439364
<b>4</b>	Heater, Defrost	W10331598
<b>7</b>	Heat Shield	W10345815
<b>8</b>	Washer	*****
<b>9</b>	Tube, Process	*****
<b>10</b>	Clip Compressor	*****
<b>11</b>	Screw	*****
<b>12</b>	Power, Cord	W10523673
<b>13</b>	Capacitor	*****
<b>14</b>	Grommet	2264447
<b>15</b>	Combo, Device	W10448583
<b>16</b>	Clip, Wire	*****
<b>17</b>	Roller	W10475495
<b>18</b>	Axle, Rivet	2179826
<b>19</b>	Wedge, Evaporator	W10261299
<b>20</b>	Evaporator Assy	W10267452
<b>21</b>	Evaporator Tray	W10512189
<b>23</b>	Bale Strap	W10340572
<b>26</b>	Support, Condenser	326020544
<b>27</b>	Bracket	W10286974
<b>28</b>	Compressor	W10431332
<b>29</b>	Drier	W10190413
<b>30</b>	Tube Discharge	*****