



EXPLOSIONADO DE PARTES — REFRIGERADOR NACIONAL —

MODELO | WT8007D01

REFRIGERADOR WT8007D01

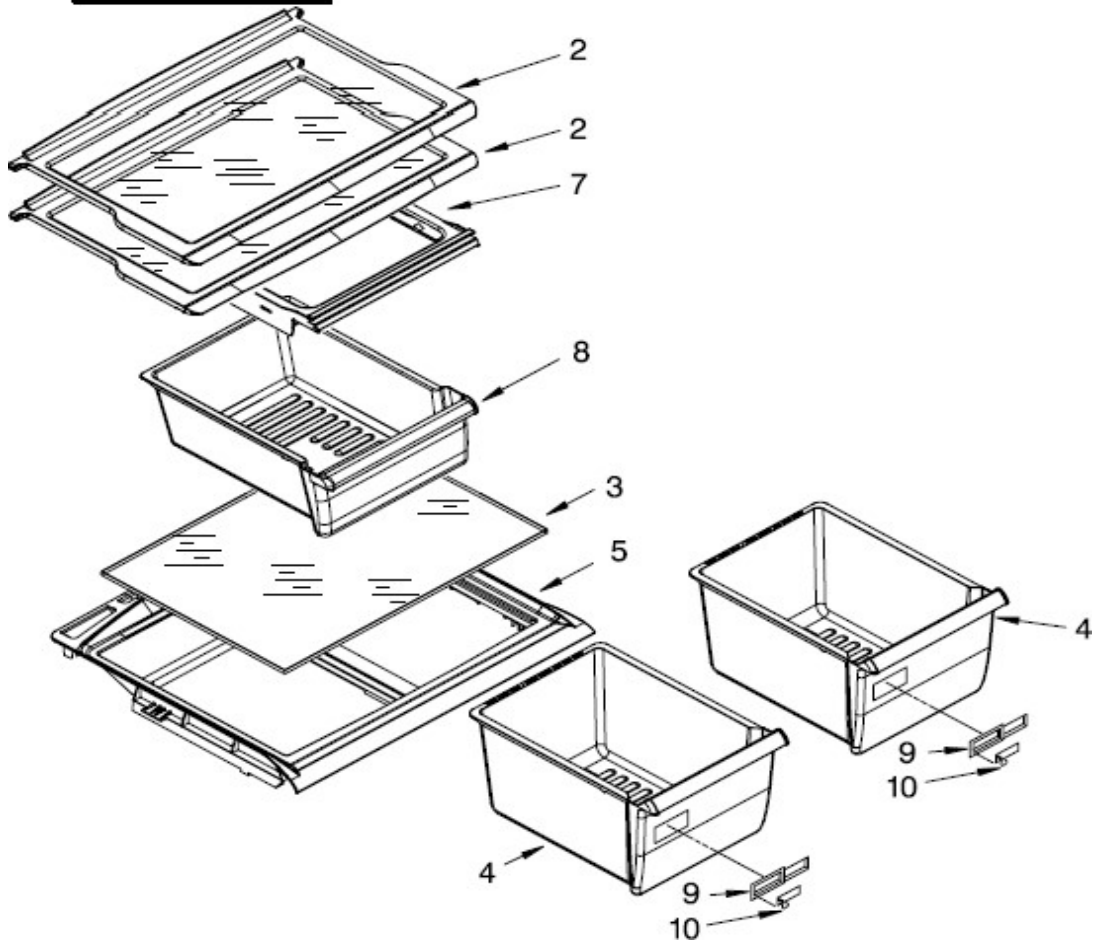
| | |
|-----------|------------------|
| Marca | Whirlpool |
| Capacidad | 18 pies |
| Color | Universal Silver |

Parrillas / Cajones

FREEZER



REFRIGERATOR



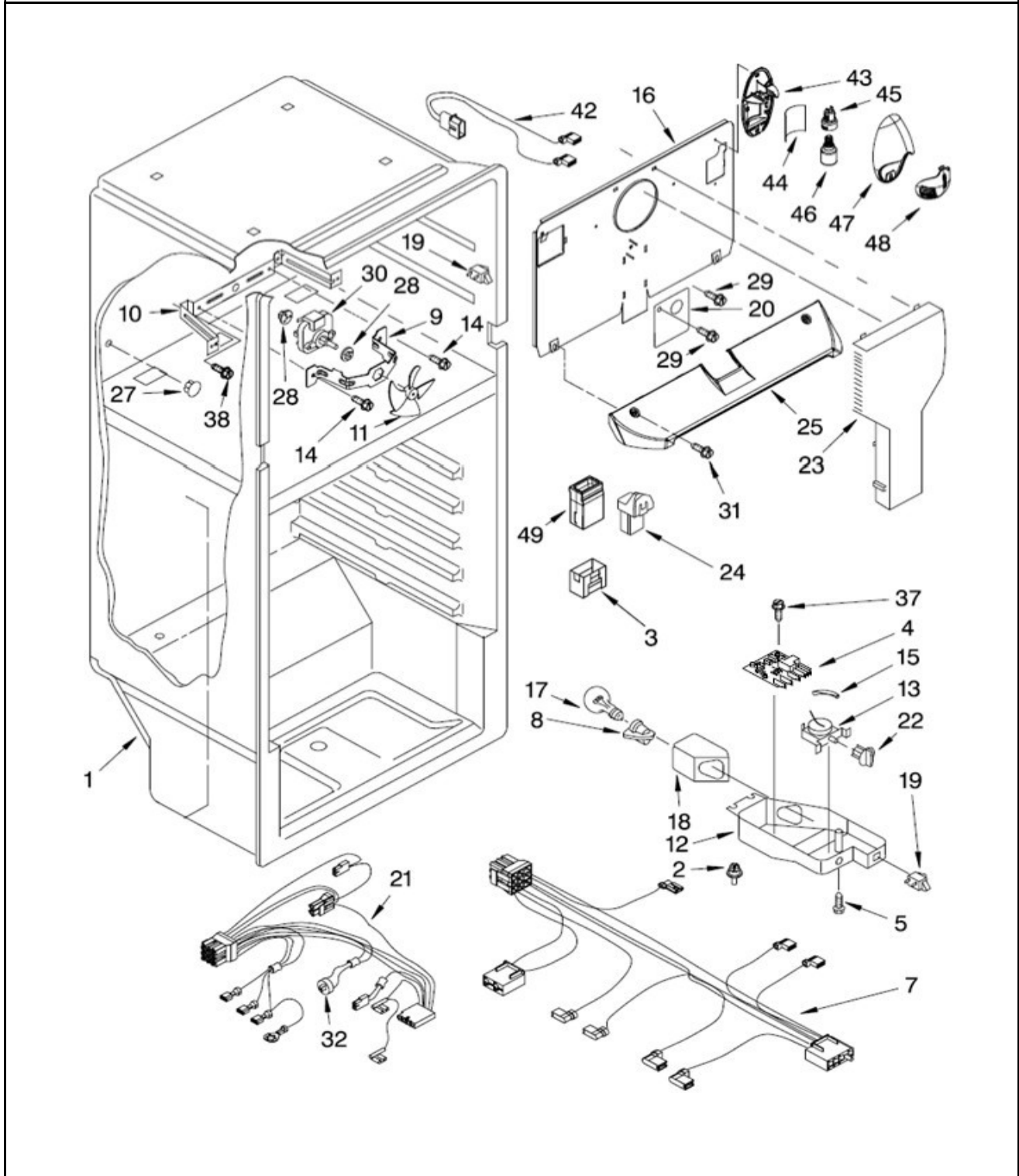
REFRIGERADOR WT8007D01

| Arca | | Whirlpool | |
|---------------------|----------------------------------|------------------|-----------------|
| Capacidad | | 18 pies | |
| Color | | Universal Silver | |
| Parrillas / Cajones | | | |
| R e f | Descripción | C a n t | Numero de Parte |
| 2 | Ensamble parrilla refrigerador | 2 | W10366183 |
| 3 | Vidrio para cubierta legumbreira | 1 | W10366172 |
| 4 | Cajon legumbreiro | 2 | W10366173 |
| 4.1 | Trim Cajon Legumbreiro | 1 | W10423207 |
| 5 | Cubierta cajon legumbreiro | 1 | 2222031 |
| 6 | Ensamble parrilla congelador | 1 | W10283861 |
| 7 | Sujetador cajon de carnes | * | ***** |
| 8 | Cajón de carnes | * | ***** |
| 9 | Cuerpo control de humedad | 1 | 2212446 |
| 10 | Deslizador control de humedad | 1 | 2176222 |
| 17 | Soporte Twist Ice | * | ***** |
| 18 | Ensamble charola de hielo twist | * | ***** |
| 19 | Contenedor hielos | * | ***** |
| 20 | Tornillo sujetador soporte | * | ***** |

REFRIGERADOR WT8007D01

| | |
|-----------|------------------|
| Marca | Whirlpool |
| Capacidad | 18 pies |
| Color | Universal Silver |

Sistema de aire / Caja control



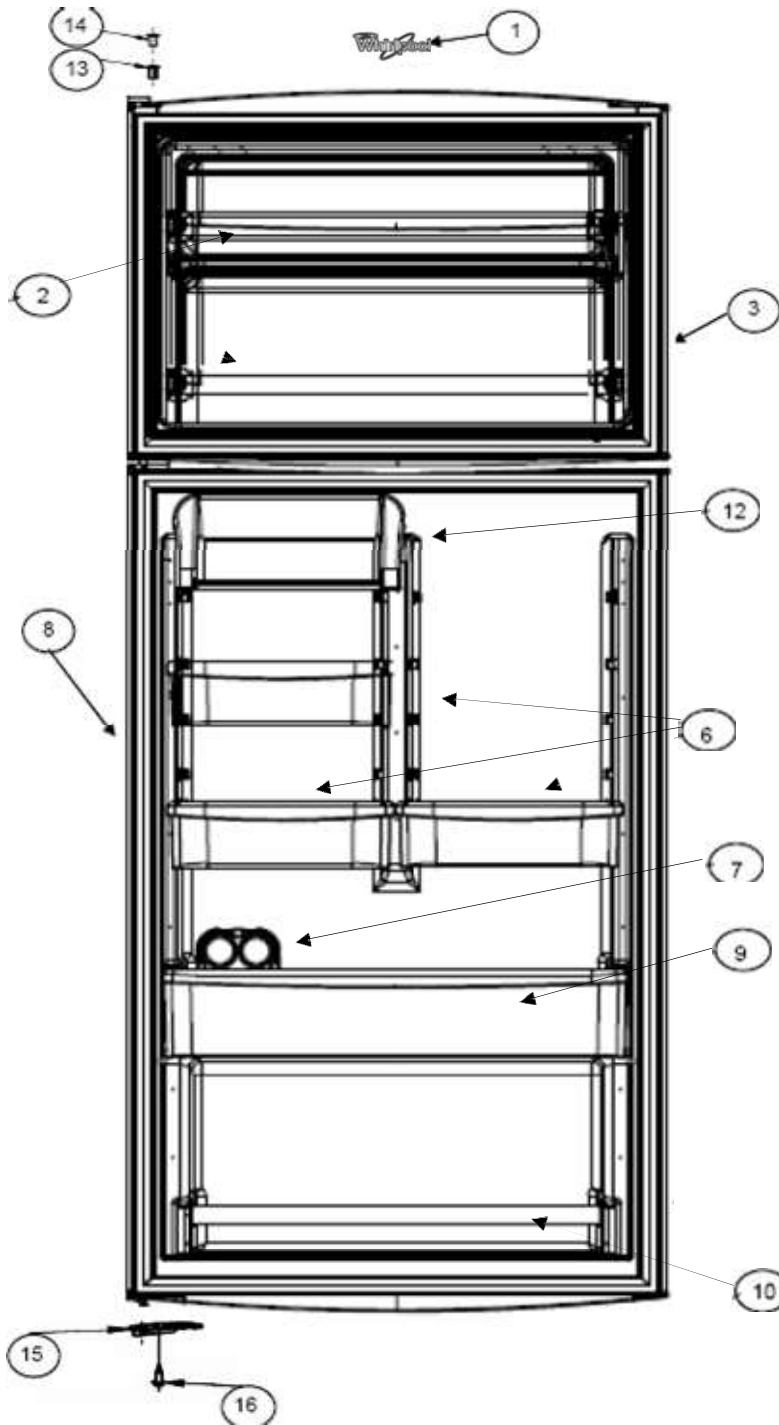
REFRIGERADOR WT8007D01

| ...arca | | Whirlpool | |
|--------------------------------|--|------------------|-----------------|
| Capacidad | | 18 pies | |
| Color | | Universal Silver | |
| Sistema de aire / Caja control | | | |
| R e f | Descripción | C a n t | Numero de Parte |
| 1 | Liner | * | ***** |
| 2 | Rivet para cubierta difusor de aire | 2 | 939962 |
| 3 | Cubierta difusor de aire | 1 | 2183061 |
| 4 | Tarjeta de Deshielo Adaptiva (ADC) | 1 | 2303825 |
| 5 | Tornillo 6-20 X .500 | * | ***** |
| 7 | Arnes caja de control | 1 | 2265965 |
| 8 | Socket refrigerador | 1 | 2162085 |
| 9 | Soporte del Abanico | 1 | W10180172 |
| 10 | Retenedor motor evaporador | 1 | 2197405 |
| 11 | Aspas para motor evaporador | 1 | 2169142 |
| 12 | Caja de Control | 1 | W10368746 |
| 13 | Termostato | 1 | 2325701 |
| 14 | Tornillo | * | ***** |
| 15 | Funda para termostato | 1 | 1118680 |
| 16 | Cubierta evaporador ensamble | 1 | 2215193 |
| 17 | Foco | 1 | 527949 |
| 18 | Light shield | 1 | 9791702 |
| 19 | Switch del foco | 1 | 999335 |
| 20 | Cover, Hole | 1 | 2217784 |
| 21 | Ensamble arnes congelador (incluye 35) | 1 | W10290502 |
| 22 | Perilla de control | 1 | 2202885 |
| 23 | Torre de Aire | 1 | 9790408 |
| 24 | Hood And Foil | 2 | 2197052 |
| 25 | Cubierta, Retorno de Aire | 1 | 2261978 |
| 27 | Hole Plug | 3 | 2201012 |
| 28 | Amortiguador, Motor | 2 | 2264462 |
| 29 | Tornillo | * | ***** |
| 30 | Motor del abanico evaporador | 1 | W10188389 |
| 31 | Tornillo | * | ***** |
| 32 | Bi-metal defrost | 1 | 2266067 |
| 37 | Tornillo | * | ***** |
| 38 | Tornillo | * | ***** |
| 42 | Arnes Luz Congelador | * | ***** |
| 43 | Porta Lampara | * | ***** |
| 44 | Deflector Light | * | ***** |
| 45 | Porta Lampara | * | ***** |
| 46 | Lampara | * | ***** |
| 47 | Cubierta, Light Holder | * | ***** |
| 48 | Cubierta de Lampara | * | ***** |
| 49 | Ducto de Aire, Ensamble | 1 | 2221992 |

REFRIGERADOR WT8007D01

| | |
|-----------|------------------|
| Marca | Whirlpool |
| Capacidad | 18 pies |
| Color | Universal Silver |

Puertas



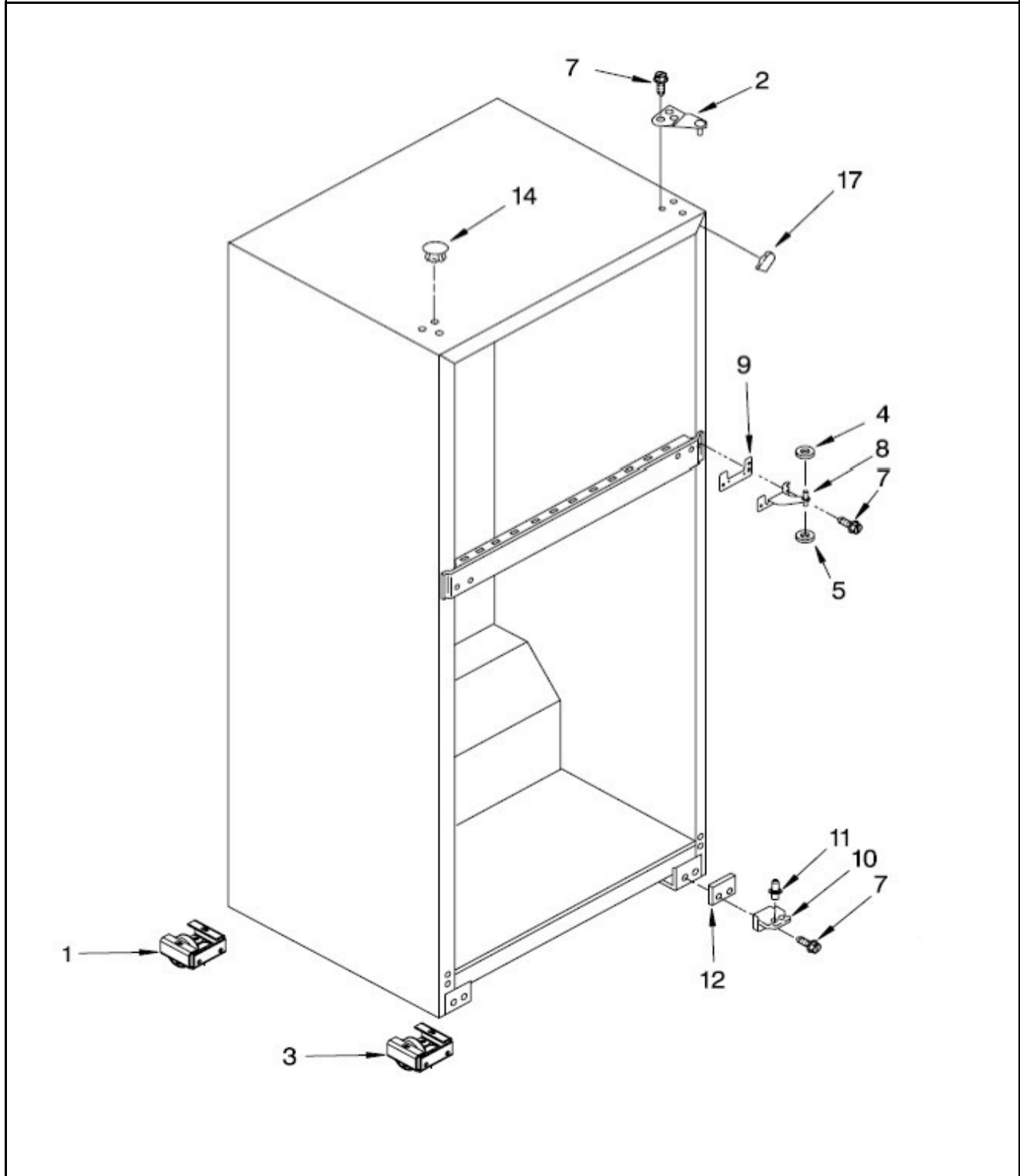
REFRIGERADOR WT8007D01

| Marca | | Whirlpool | |
|-------------|----------------------------------|------------------|-----------------|
| Capacidad | | 18 pies | |
| Color | | Universal Silver | |
| Puertas | | | |
| R e f | Descripción | C a n t | Numero de Parte |
| 1 | Placa marca Whirlpool | 1 | W10393264 |
| 2 | Barandillas congelador | 2 | W10366245 |
| 2.1 | End Cap barandillas | 4 | 2156003 |
| 3 | Puerta ensamble congelador | 1 | W10471072 |
| 6 | Anaquelel movil | 2 | W10366248 |
| 7 | Rack para huevos | * | ***** |
| 8 | Puerta ensamble refrigerador | 1 | W10471639 |
| 9 | Anaquelel fijo refrigerador | 1 | W10366246 |
| 10 | Barandilla refrigerador | 1 | W10366247 |
| 12 | Utility bin | * | ***** |
| 12.1 | Cubierta Utility bin | * | ***** |
| 13 | Capsula de giro | 4 | 2179167 |
| 14 | Tapon para capsula de giro | 1 | 2254517 |
| 15 | Freno puerta | 2 | 2189202 |
| 16 | Tomillo 8-16 X .580 MPN SL/CR PT | * | ***** |

REFRIGERADOR WT8007D01

| | |
|-----------|------------------|
| Marca | Whirlpool |
| Capacidad | 18 pies |
| Color | Universal Silver |

Gabinete



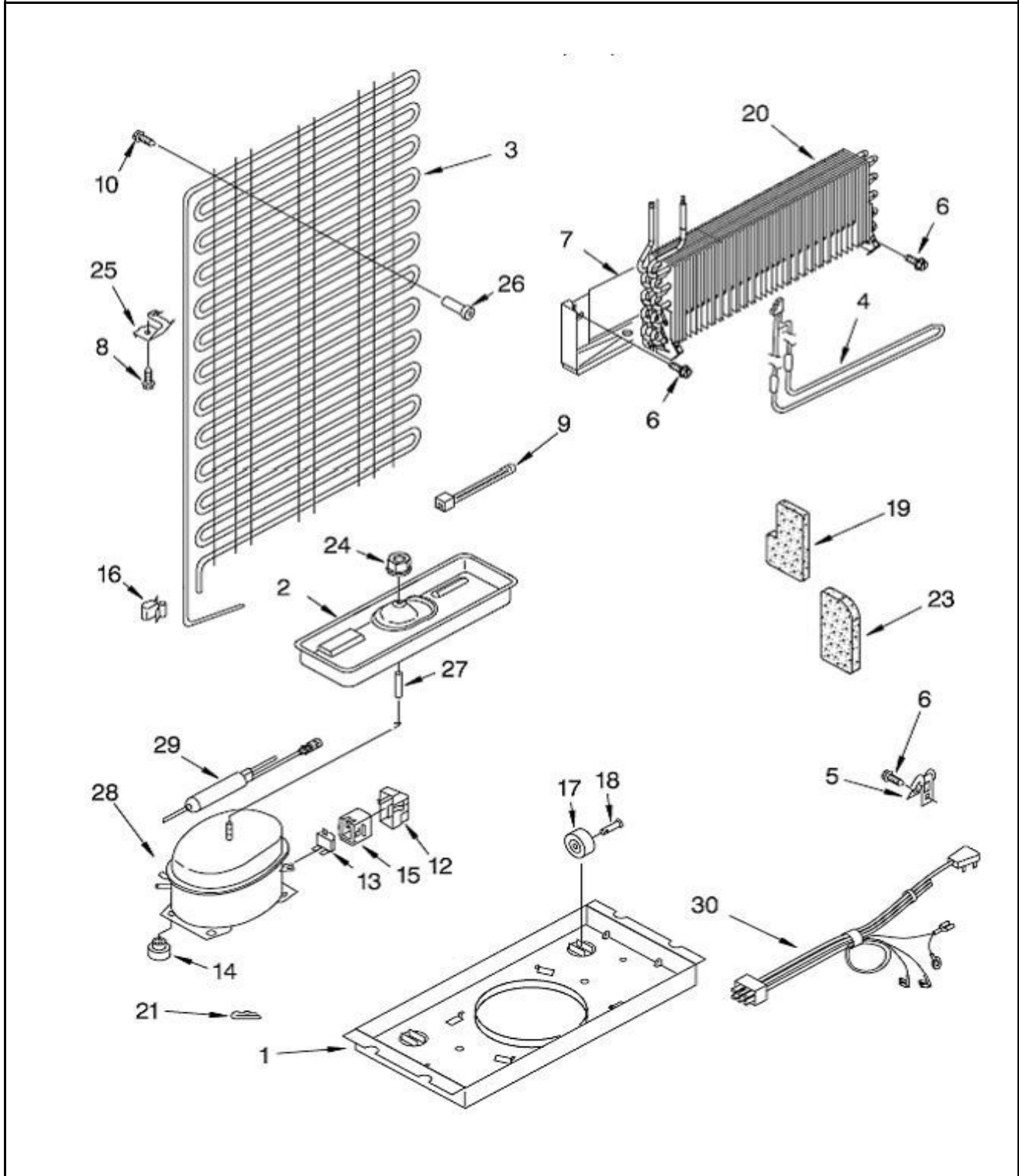
REFRIGERADOR WT8007D01

| Marca | | Whirlpool | |
|----------------------|---|----------------------------|------------------------|
| Capacidad | | 18 pies | |
| Color | | Universal Silver | |
| Gabinete | | | |
| R e f | Descripción | C a n t | Numero de Parte |
| 1 | Roller trasero | * | ***** |
| 2 | Bisagra superior | 1 | W10300065 |
| 3 | Ruedas de ajuste ensamble | 2 | W10142530 |
| 4 | Arandela plana | * | ***** |
| 5 | Arandela plana | * | ***** |
| 7 | Tornillo 12-24x0.700 AHW | * | ***** |
| 8 | Bisagra central | 1 | 2166086 |
| 9 | Separador bisagra central | 1 | 2166043 |
| 10 | Bisagra inferior | 2 | 2325482 |
| 11 | Pin Bisagra inferior | 2 | 2325483 |
| 12 | Separador bisagra inferior | 2 | 2201567 |
| 14 | Tapón para tornillo parte intermedia (Gabinete) | * | ***** |
| 17 | Vista para esquina gabinete | 2 | 2166003D |

REFRIGERADOR WT8007D01

| | |
|-----------|------------------|
| Marca | Whirlpool |
| Capacidad | 18 pies |
| Color | Universal Silver |

Unit parts



REFRIGERADOR WT8007D01

| Marca | | Whirlpool | |
|-----------------|--|------------------|-----------------|
| Capacidad | | 18 pies | |
| Color | | Universal Silver | |
| Sistema Sellado | | | |
| R e f | Descripción | C a n t | Numero de Parte |
| 1 | Soporte compresor | 1 | W10222451 |
| 2 | Charola de evaporacion | 1 | W10174378 |
| 3 | Condensador | 1 | W10219349 |
| 4 | Heater- defrost | 1 | 2176942 |
| 5 | Power cord | 1 | W10151657 |
| 6 | Tornillo 8-18x0.600 | * | ***** |
| 7 | Cubierta evaporador | 1 | 2319224 |
| 8 | Tornillo 8-18x0.600 | * | ***** |
| 9 | Abrazadera plastica | 1 | 2263990 |
| 10 | Tornillo 8-18x0.600 | * | ***** |
| 12 | Cover, Terminal | * | ***** |
| 13 | Capacitor | 1 | W10590085 |
| 14 | Amortiguador para compresor | 4 | 2264447 |
| 15 | Relevador/protector termico (Combo Device) | 1 | W10399283 |
| 16 | Clip Evaporador | * | ***** |
| 17 | Roller | 1 | 2150304 |
| 18 | Rivet axle | 1 | 2264756 |
| 19 | Wedge-evap | 1 | 2262191 |
| 20 | Ensamble evaporador | 1 | 2263920 |
| 21 | Clip compresor | 4 | 24364001 |
| 23 | Wedge-evap | 1 | 2262191 |
| 24 | Tuerca hexagonal | 1 | 999299 |
| 25 | Clip condensador | 2 | 2172892 |
| 26 | Bracket condenser | * | ***** |
| 27 | Separador de condensador | 2 | 2258452 |
| 28 | Compresor | 1 | W10444186 |
| 29 | Filtro Deshidratador | 1 | W10190413 |
| 30 | Arnes tomacorriente principal | 1 | W10151657 |