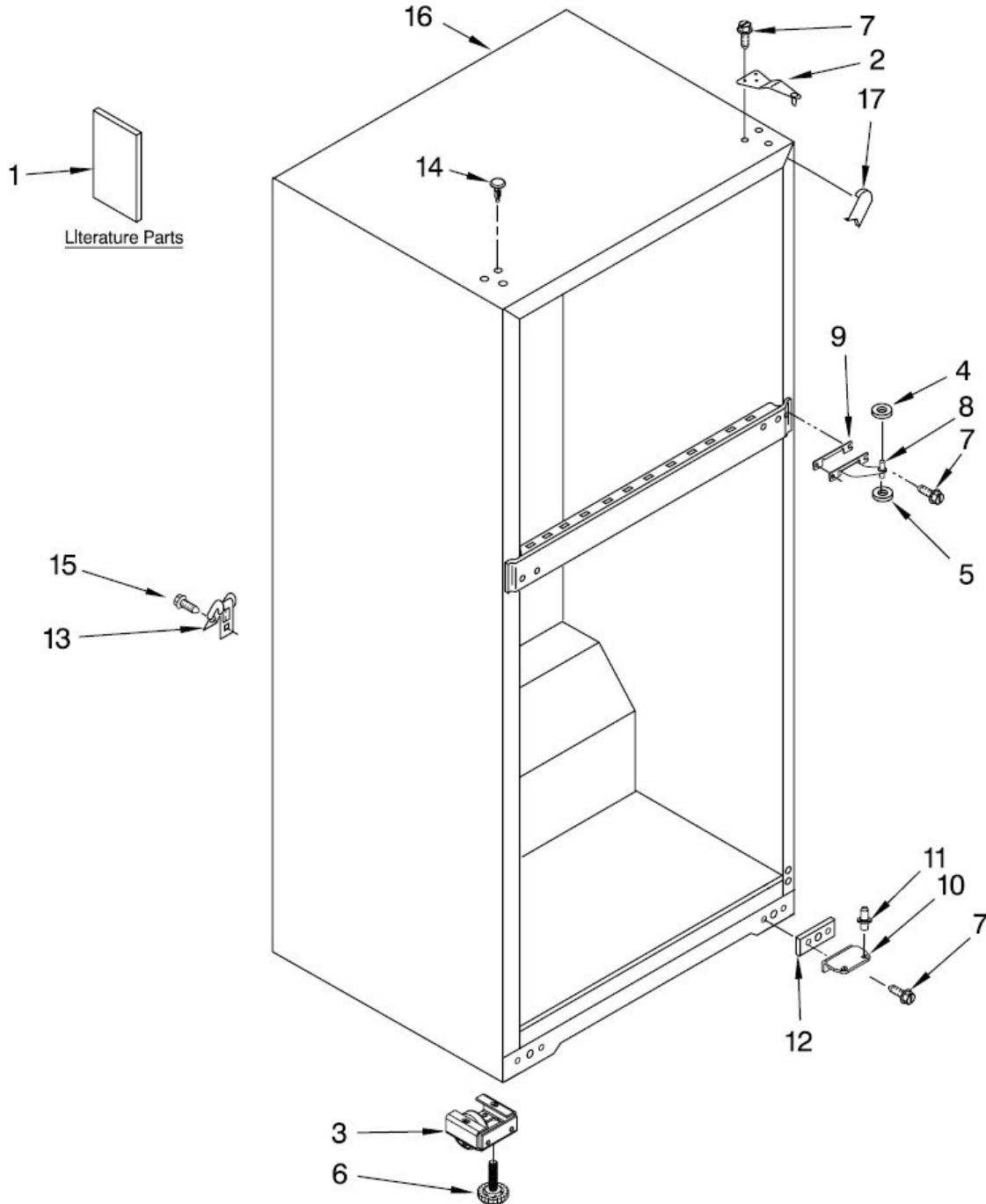




EXPLOSIONADO DE PARTES
— REFRIGERADOR NACIONAL —

MODELO | WT8103Q00

REFRIGERADOR WT8103Q00

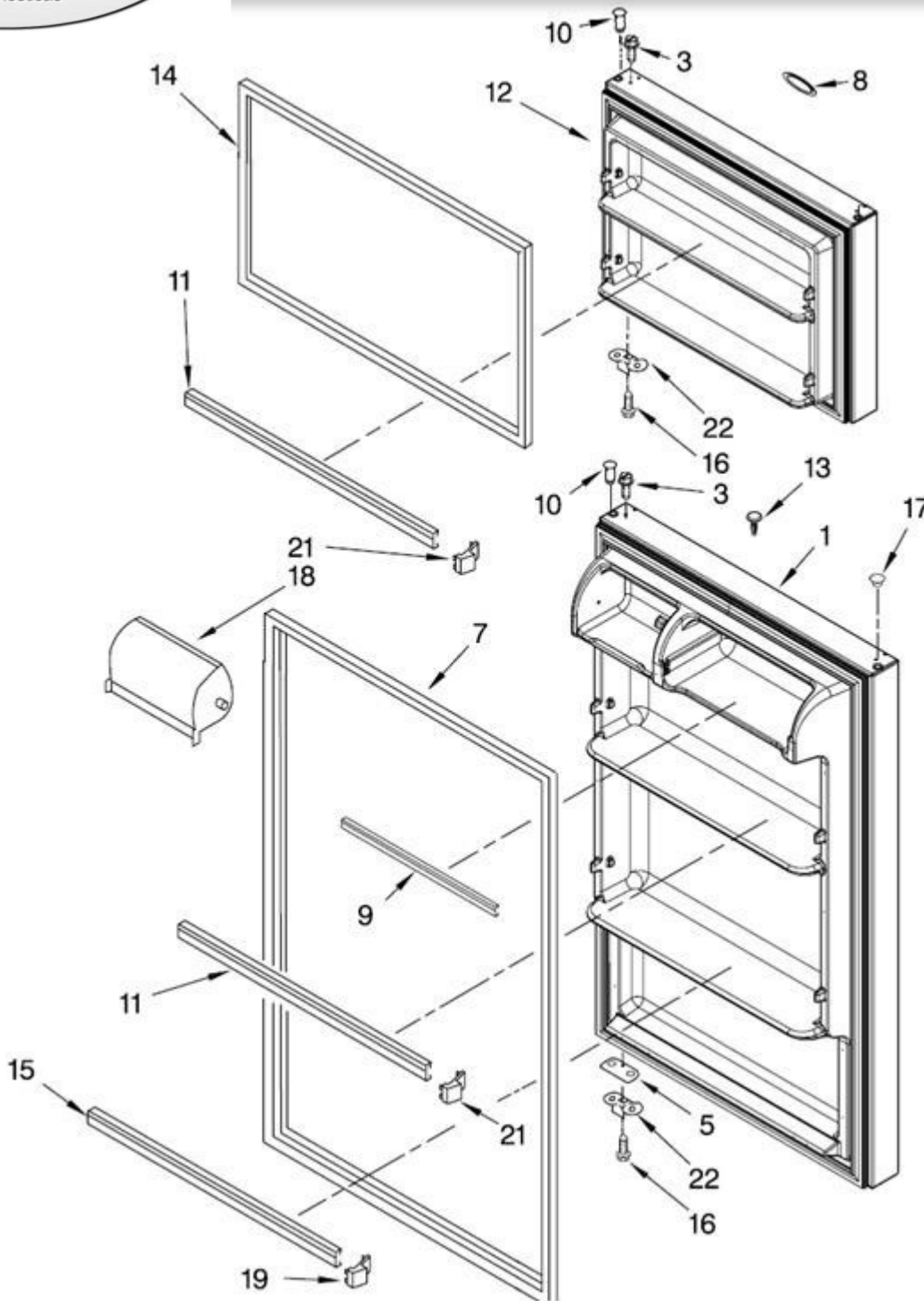




REFRIGERADOR WT8103Q00

No.	DESCRIPCIÓN	Cant.	No. de Parte
Ilus.			
1	Literature Parts	***	*****
2	Hinge Assy, Top	1	2321179
2a	Hinge Shim, Top	1	2221885
3	Roller Assy, Front	2	W10142530
4	Washer, Plastic	1	489341
5	Washer, Nylon	1	487576
6	Leveler	1	W10133299
7	Screw	***	*****
8	Hinge Assy, Center	1	2166086
9	Hinge Shim, Center	1	2166043
10	Hinge, Bottom	1	2325482
11	Hinge Pin, Bottom	1	2325483
12	Hinge Shim, Bottom	1	2201567
13	Clamp, Cord	***	*****
14	Hole Plug	3	941839
15	Screw	***	*****
16	Cabinet (No Serviciable)	***	*****
17	Corner Filler	2	2166003

REFRIGERADOR WT8103Q00

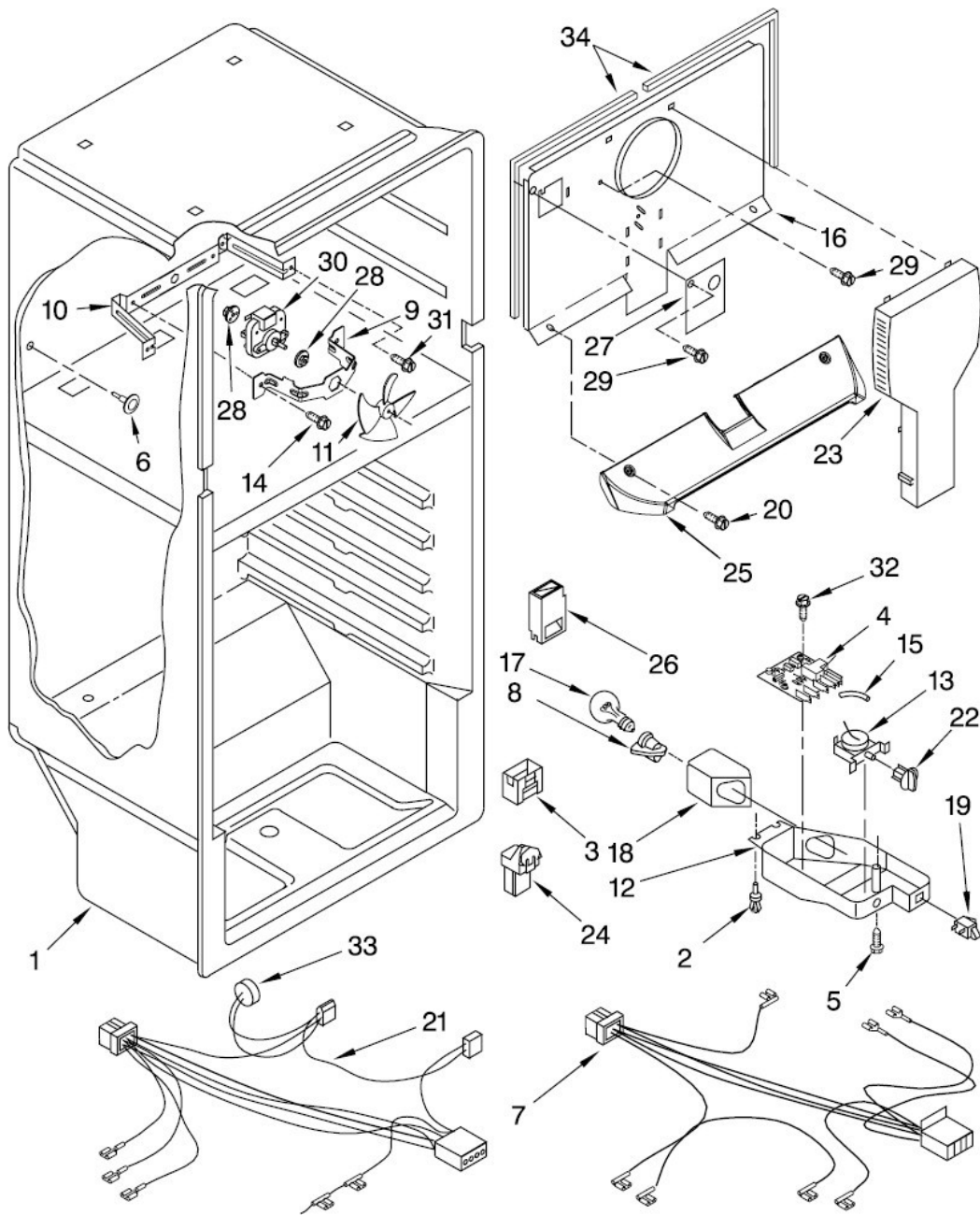




REFRIGERADOR WT8103Q00

No. Ilus.	DESCRIPCIÓN	Cant.	No. de Parte
1	Refrigerator Door	1	W10549782
5	Shim, Door Stop	1	2258681W
7	Door Gasket, Magnetic	1	W10190032
8	Nameplate	1	W10481434
9	Trim, Door Shelf	1	W10234242
10	Thimble	4	2200087
11	Trim, Door Shelf	3	2266727
12	Freezer Door	1	W10549785
13	Hole Plug	1	941839
14	Door Gasket, Magnetic	1	W10190031
15	Trim, Door Shelf	1	2266738
16	Screw	***	*****
17	Plug, Hinge	1	2212648
18	Door, Compartment	1	2207942
19	End Cap, Trim	2	2195916
21	End Cap, Trim	6	2156003
22	Bracket, Door Stop	1	2189202

REFRIGERADOR WT8103Q00

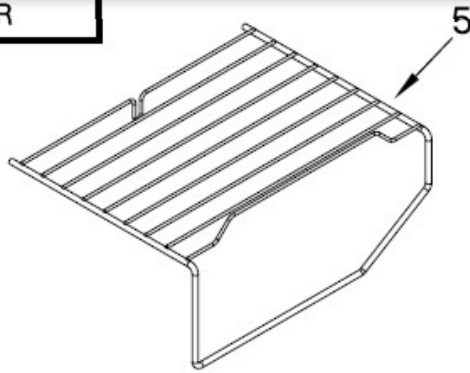


REFRIGERADOR WT8103Q00

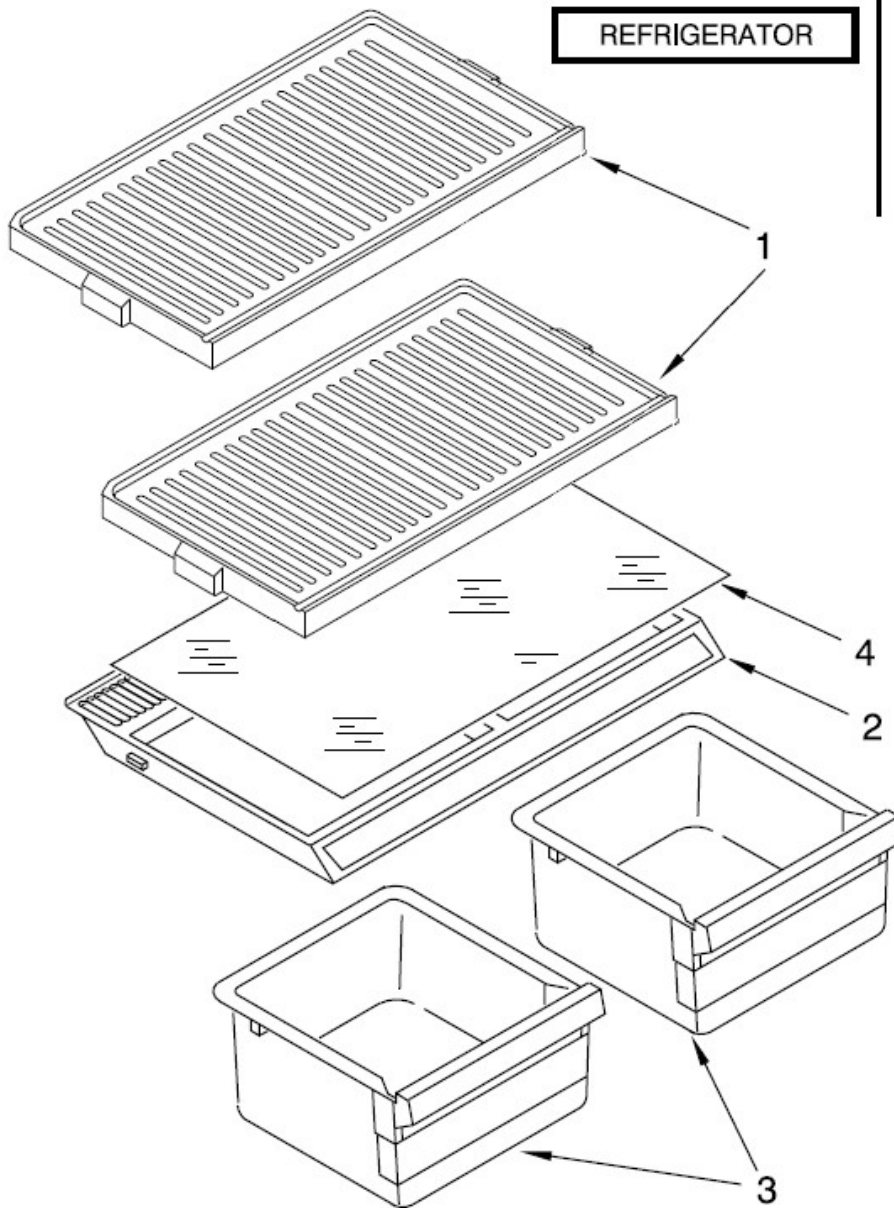
<u>No.</u>	<u>DESCRIPCIÓN</u>	<u>Cant.</u>	<u>No. de Parte</u>
1	Liner (No servicable)	***	*****
2	Rivet	2	939962
3	Cover, Air Diffuser	1	2183061
4	Defrost Electronic Control	1	2303825
5	Screw	***	*****
6	Hole Plug	3	941839
7	Wire Assembly, Control Box	1	2265930
8	Socket, Light	1	2162085
9	Fan Support Bracket	1	W10180172
10	Fan Mounting Bracket	1	2197405
11	Fan Blade	1	2169142
12	Control Box	1	2215210
13	Thermostat	1	2325701
14	Screw	***	****
15	Thermostat Tube Barrier	1	1118680
16	Cover Evaporator	1	2215193
17	Light Bulb	1	527949
18	Light Shield	1	9791702
19	Rocker Arm Switch	1	1118894
20	Screw	***	*****
21	Wiring, Freezer	1	W10290502
22	Control Knob	1	2202885
23	Air Tower	1	9790408
24	Hood And Foil Assembly	2	2197052
25	Cover, Air Return	1	2261978
26	Air Diffuser	1	2221992
27	Cover, Hole	1	2217784
28	Grommet, Motor	2	2264462
29	Screw	***	*****
30	Evaporator Fan Motor	1	W10188389
31	Screw	***	*****
32	Screw	***	*****
33	Defrost, Bi-metal	1	2266067
34	Gasket, Evap Cover	2	W10244016

REFRIGERADOR WT8103Q00

FREEZER



REFRIGERATOR

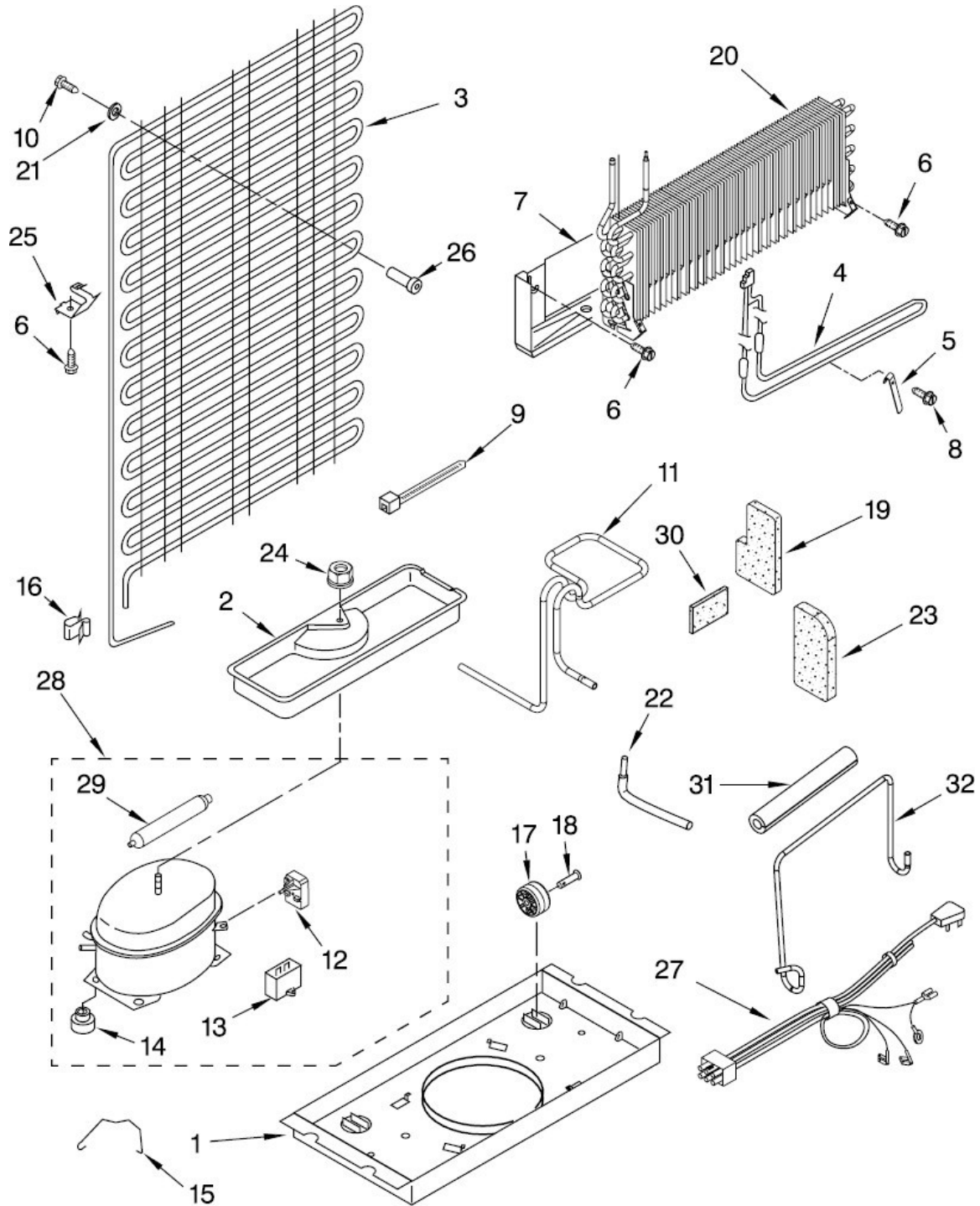




REFRIGERADOR WT8103Q00

No.			
Ilus.	DESCRIPCIÓN	Cant.	No. de Parte
1	Shelf, Wire	2	W10283851
2	Crisper Cover	1	W10250666
3	Crisper Pan	2	W10211584
4	Glass, Shelf	1	W10366172
5	Shelf, Ice Tray	1	W10142524

REFRIGERADOR WT8103Q00





REFRIGERADOR WT8103Q00

No. Ilus.	DESCRIPCIÓN	Cant.	No. de Parte
1	Support Plate, Compressor	1	W10222451
2	Tray, Evaporator	1	2201801
3	Condenser	1	W10219349
4	Heater, Defrost	1	2176942
5	Heat Probe	1	2258429
6	Screw	***	*****
7	Heat Shield	1	2319224
8	Screw	***	*****
9	Strap	1	2263990
10	Screw	***	*****
11	Tube, Discharge	***	*****
12	Start Device, Combination	1	W10330834
13	Capacitor	1	2264017
14	Grommet	4	2222084
15	Strap, Bale	1	2263990
16	Clip, Wire	3	939054
17	Roller, Rear	2	W10475495
18	Axle, Rivet	2	2264756
19	Evaporator Wedge	1	2262191
20	Evaporator Assy	1	2263920
21	Washer	1	VS611
22	Tube, Process	***	*****
23	Evaporator Wedge	1	2262192
24	Hex Nut	1	489153
25	Clip, Condenser Mounting	2	2172892
26	Spacer	2	2258452
27	Wire Assy, Unit	1	W10151657
28	Compressor	1	W10164643
29	Drier	1	W10190413
30	Insulation, Sound	1	2215468
31	Sleeve	***	*****
32	Extension, Tube Heat	***	*****