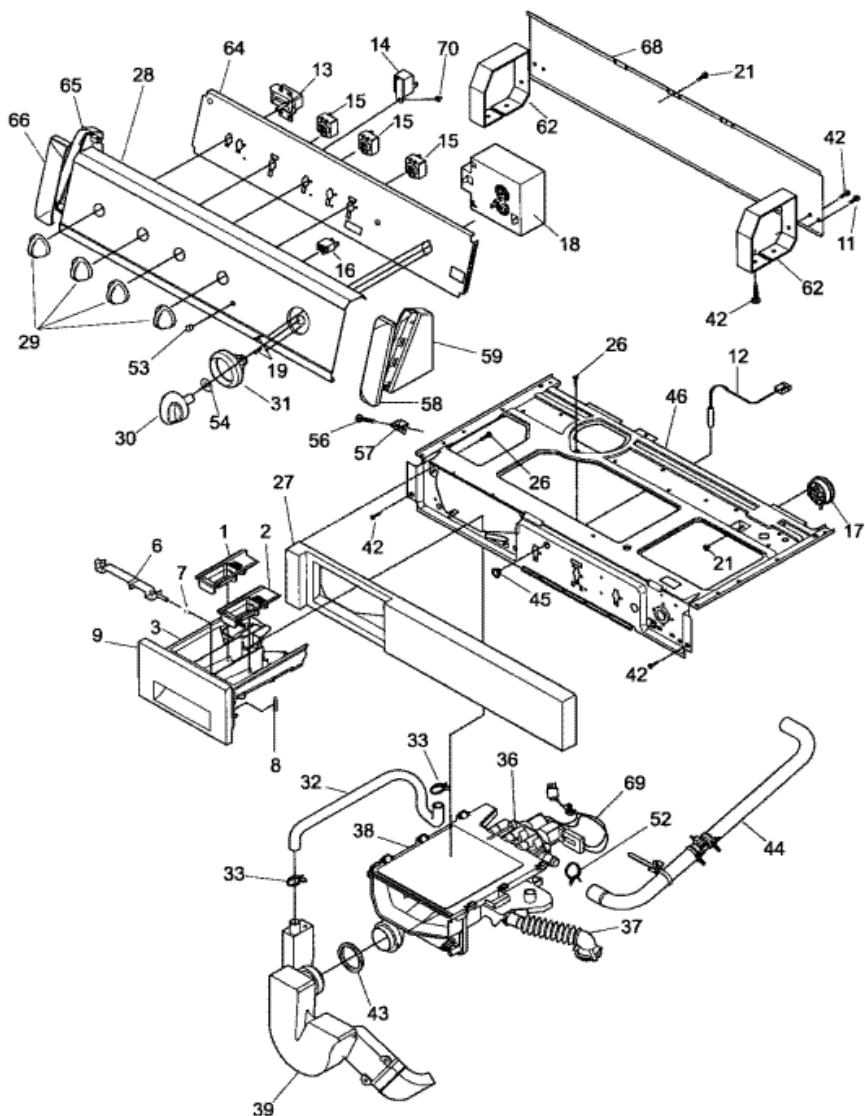


Distribuidor Autorizado

**SurteRápido.com**

Venta de Refacciones  
Electrodomesticas

## WTR1240AS0 TABLERO





## WTR1240AS0 TABLERO

1	131272100	COVER-BLEACH (S/P)
2	131272000	COVER-SOFTENER (S/P)
3	131271910	DRAWER-DISPENSER (S/P)
6	131714900	LATCH HANDLE (S/P)
7	131427500	SPRING (S/P)
8	131373800	MAGNET (S/P)
9	131729500	HANDLE-DISPENSER (S/P)
11	131205100	SCREW,NO.8 PAN HEAD , (S/P)
13	134401800	SWITCH-4 POS ATC (S/P)
14	131724500	BUZZER (S/P)
15	134904500	SWITCH-EXTRA RINSE/SPEED (S/P)
16	131724700	LIGHT-PILOT (S/P)
19	131243800	SCREW-BRKT TOP,PAN HD LOCKING , (S/P)
21	215822000	SCREW,PAN HEAD , (S/P)
26	131823400	SCR 8-18X2.000 (S/P)
27	131870600	PANEL-DISPENSER DRAWER (S/P)
28	134094200	TRIMPLATE WWH1LREF (S/P)
29	131141105	KNOB-ROTARY,WHITE/GRAY
30	131140601	KNOB-TIMER,WHITE (S/P)
31	131140703	DIAL,CLEAR/GRAY (S/P)
32	131786100	HOSE-DISPENSER (S/P)
33	131306215	CLAMP (S/P)
37	131271600	HOSE-TUB (S/P)
39	131863300	SIPHON (S/P)
42	131168200	SCREW,8-18 X 0.31 (S/P)
43	131749200	GASKET-SEAL (S/P)
45	5303321107	BUSHING (S/P)
46	134191412	PANEL-CONT MTG-WING BEND (S/P)
52	131306242	CLAMP (S/P)
53	131724800	LENS-PILOT LIGHT (S/P)
54	5308015493	SPACER-TIMER SHAFT (S/P)
56	5303297854	<b>DESCONTINUADO</b>
57	131197000	CLIP-CONTROL PANEL (S/P)

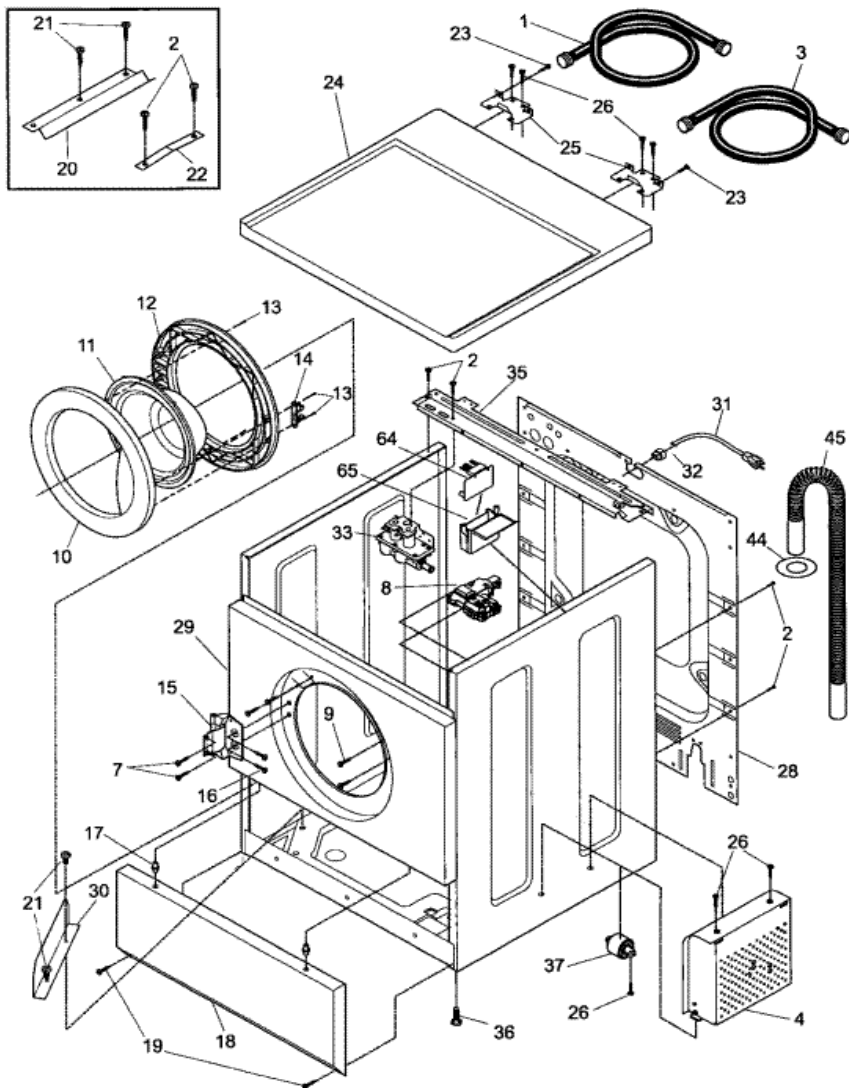
58	131122601	COVER-END CAP,WHITE ,RH <b>(S/P)</b>
59	131122701	END CAP,WHITE ,RH
62	131721500	BRACKET-CONSOLE SUPPORT <b>(S/P)</b>
64	131728900	BRACKET-CONTROL <b>(S/P)</b>
65	131122711	END CAP,WHITE ,LH
66	131122611	COVER-END CAP,WHITE ,LH <b>(S/P)</b>
68	134088700	BACKSHEET-F CONSOLE <b>(S/P)</b>
69	131908000	HARNESS-DISP VALVE-HAW W/ATC <b>(S/P)</b>
70	5303015671	SCREW,8-18 X .375 <b>(S/P)</b>
F36	131974700	ASMY-DISP VALVE/SEAL <b>(S/P)</b>
F12	131505902	SWITCH-REED <b>(S/P)</b>
F18	134014700	TIMER L TAW WASHER <b>(S/P)</b>
F17	134433701	SWITCH-PRESSURE <b>(S/P)</b>
F44	131899800	ASMY-THERMISTOR/HOSE/CLAMP <b>(S/P)</b>

Distribuidor Autorizado

**SurteRápido.com**

Venta de Refacciones  
Electrodomesticas

## WTR1240AS0 GABINETE





## WTR1240AS0 GABINETE

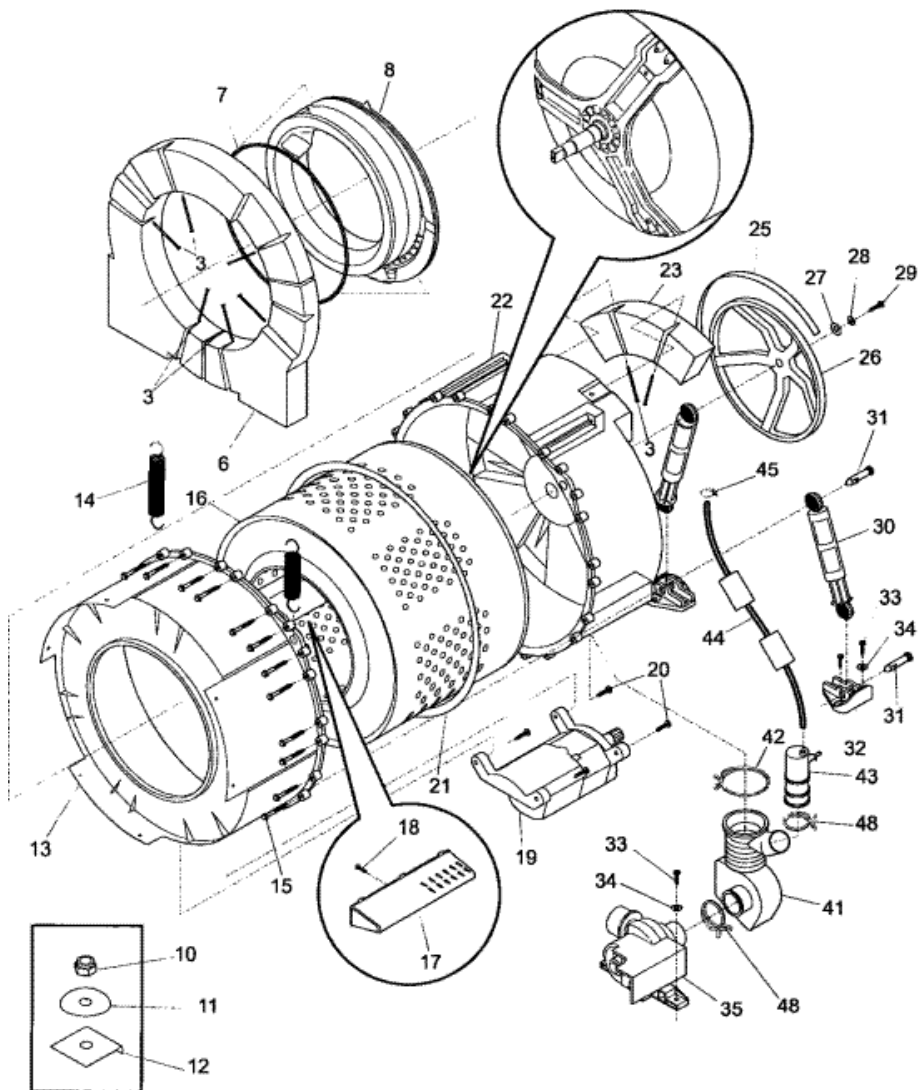
1	131279600	ASMY-INLET HOSE COLD (S/P)
2	131168200	SCREW,8-18 X 0.31 (S/P)
3	131279600	ASMY-INLET HOSE-HOT (S/P)
4	134149220	SPEED CONT-MALLORY/SOLE MOTOR (S/P)
8	131763202	DOOR LOCK/SWITCH USCC
10	131278700	DOOR-OUTER (S/P)
11	131278800	GLASS-DOOR (S/P)
12	131278900	DOOR-INNER (S/P)
13	131302901	SCREW,10-16X.75 (S/P)
14	131763310	CATCH,DOOR/LOCK SW ,INTR DOOR FRAME
15	134264600	HINGE-DOOR (S/P)
16	131696300	SCREW 10-16X.312 QUAD PN HD (S/P)
17	131346400	PIN-LOCATING (S/P)
18	131279300	PANEL-SERVICE,WHITE (S/P)
20	131460900	BRACKET-TOP FRONT (S/P)
22	131279500	RETAINER-SPRING (S/P)
23	131243800	SCREW-BRKT TOP,PAN HD LOCKING , (S/P)
24	134086832	PANEL-TOP WHT RR CONS-ALLIANCE (S/P)
25	131668200	BRACKET-TOP PNL (S/P)
26	131311900	SCREW,QUADREX PH AB ,8-18X1/2 (S/P)
28	131978500	PANEL-BACK (S/P)
29	131752030	PANEL-FRONT-PAINTED WHITE (S/P)
30	131859600	SHIELD-OVERFLOW (S/P)
31	134501000	CORD-SERVICE (S/P)
32	5303209428	BUSHING-CORD (S/P)
35	131732902	REINFORCEMENT BRKT (S/P)
36	5304463702	LEG,PAD/NUT (S/P)
37	5304463780	ASMY-FOOT BOLT/PAD/NUT (S/P)
44	131707800	RING-DRAIN HOSE (S/P)
65	131894600	HOUSING-ATC BOARD (S/P)
F64	134226600	AUTOMATIC TEMP CONT BOARD
F45	131461200	HOSE-DRAIN,90 INCH
F33	134190200	VALVE-WATER

Distribuidor Autorizado

SurteRápido.com

Venta de Refacciones  
Electrodomesticas

WTR1240AS0 TINA





## WTR1240AS0 TINA

3	131793302	BOLT-CARRIAGE 1/4-20X4.0 (S/P)
6	131975300	ONE PIECE COUNTERWEIGHT (S/P)
7	131277300	SPRING-BOOT (S/P)
8	5303937187	BELLOWS
10	131304700	NUT (S/P)
11	131276900	WASHER-SPRING (S/P)
12	131793500	PLATE-WEIGHT (S/P)
13	131618600	SHELL-FRONT TUB (S/P)
14	134144700	SPRING/SLEEVE (S/P)
16	131618500	TUB-SPIN
17	131274600	VANE (S/P)
19	134869400	MOTOR-SOLE (S/P)
20	131303500	SCREW-MOTOR,HWHD AB ,12-14X1.50 (S/P)
21	134146100	SEAL-SHELL (S/P)
22	131525500	SHELL-REAR/BEARING (S/P)
23	134125900	WEIGHT-UPPER BACK (S/P)
25	134051000	BELT-6 RIB
26	131883400	PULLEY-DRUM-REINFORCED (S/P)
27	131304400	WASHER,.41X1.500X.120 (S/P)
28	131304500	WASHER-LOCK,3/8 (S/P)
30	134564200	LEVEL-SHOCK (S/P)
31	131268300	PIN-LEVEL (S/P)
32	131268100	BRACKET-SHOCK (S/P)
33	131303100	SCREW,HWHD AB ,10-16X.625 (S/P)
34	5303304015	WASHER .21X.71X.06,.21X.71X.06 (S/P)
35	134051100	PUMP-DRAIN H AXIS WSHR 40MM
41	131784700	HOSE-COIN TRAP-TUB TO PUMP
42	134737300	CLAMP (S/P)
43	131277500	CHAMBER-AIR (S/P)
44	131277600	TUBE-PRESSURE
45	131306202	CLAMP (S/P)
48	131306234	CLAMP-PUMP (S/P)