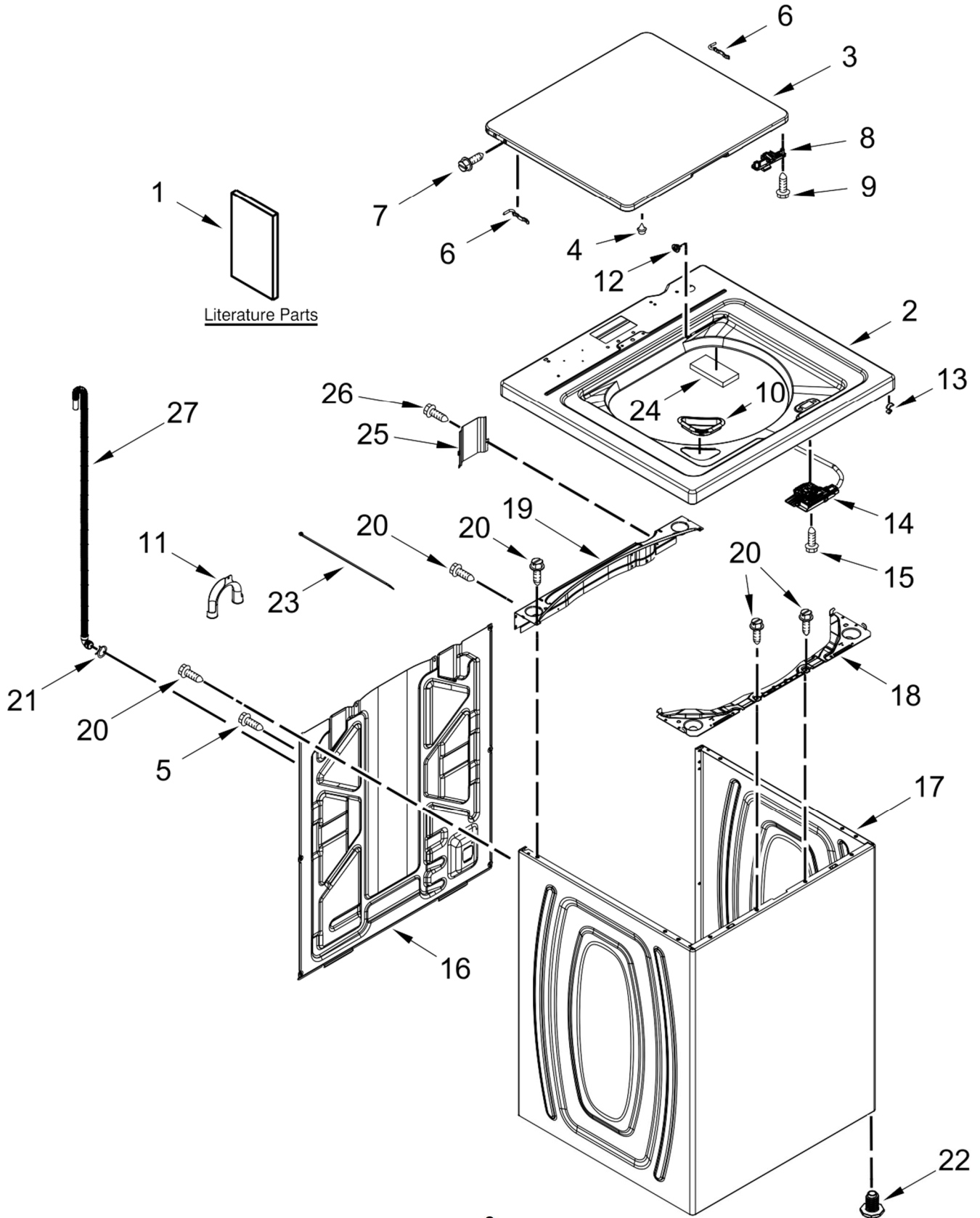


Distribuidor Autorizado

SurteRápido.com

Venta de Refacciones Electrodomesticas

LAVADORA WTW4850HW1





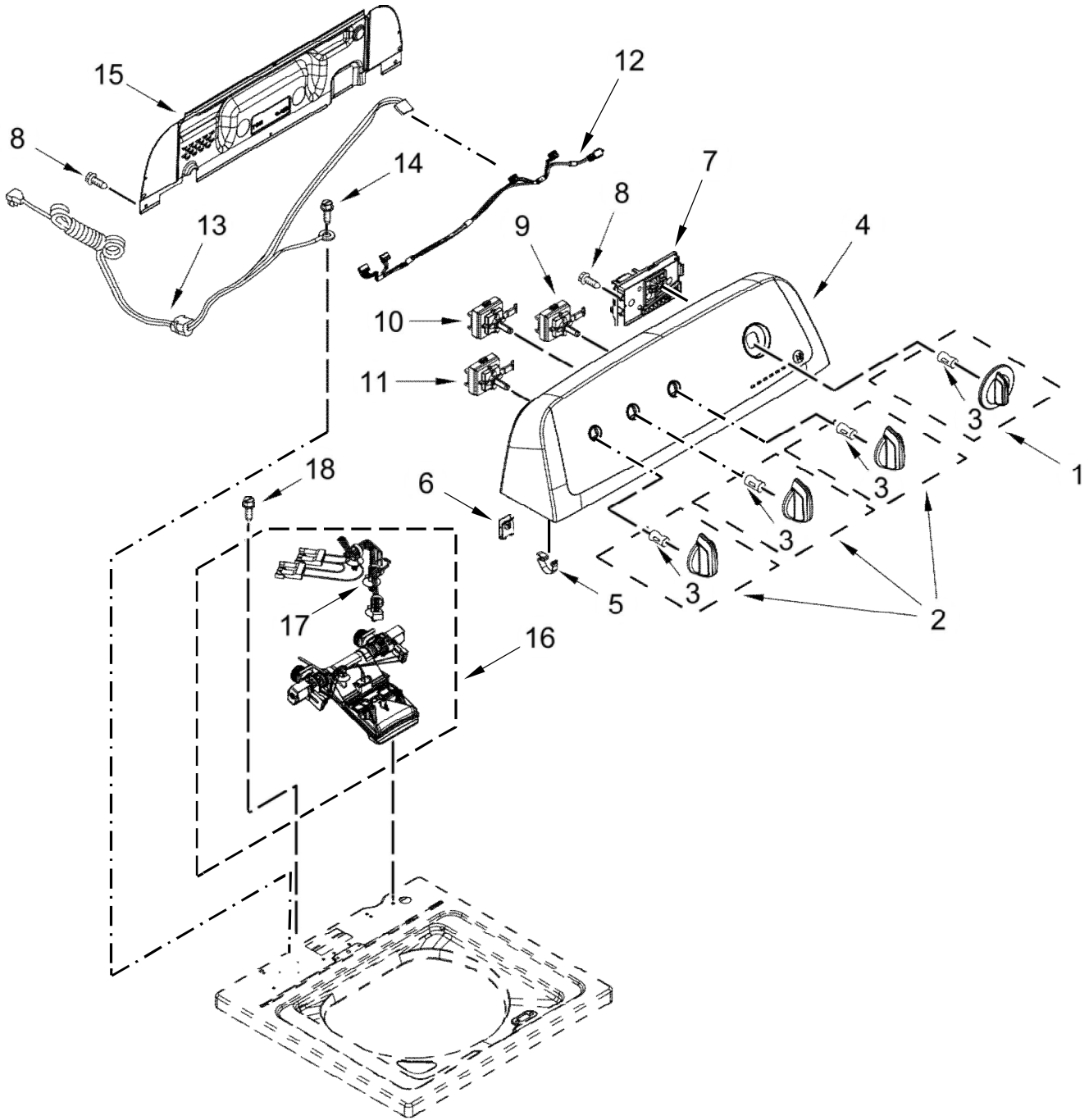
LAVADORA WTW4850HW1

| <u>Illus. No.</u> | <u>Part No.</u> | <u>Description</u> |
|-------------------|-----------------|---------------------------|
| 1 | | Literature Parts |
| | W10240509 | Installation Instructions |
| | W11172317 | Owners Manual |
| | W10740573 | Tech Sheet |
| | W11258510 | Energy Guide |
| 2 | | Top |
| | W10686446 | White |
| 3 | | Assembly, Lid and Bumper |
| | W10027624 | White |
| 4 | 9724509 | Bumper |
| 5 | 9740848 | Screw |
| 6 | 91770 | Hinge, Lid (Left Hand) |
| | 54583 | Hinge, Lid (Right Hand) |
| 7 | W10119872 | Screw |

| <u>Illus. No.</u> | <u>Part No.</u> | <u>Description</u> |
|-------------------|-----------------|----------------------------|
| 8 | | Strike, Lid Lock |
| | W10714899 | White |
| 9 | W10273971 | Screw |
| 10 | W10192089 | Dispenser, Bleach |
| 11 | W10280024 | U-Bend, Drain Hose |
| 12 | 21258 | Bearing, Lid Hinge |
| 13 | 90016 | Clip, Harness |
| 14 | W10682535 | Latch, Lid Lock Assembly |
| 15 | 8281163 | Screw (Stainless) |
| 16 | W10250884 | Panel, Rear |
| 17 | | Cabinet |
| | W10478060 | White |
| 18 | W10215098 | Brace, Cabinet Top - Front |
| 19 | W10512626 | Brace, Cabinet Top - Rear |

| <u>Illus. No.</u> | <u>Part No.</u> | <u>Description</u> |
|-------------------|-----------------|----------------------------|
| 20 | W10660565 | Screw |
| 21 | 356138 | Clamp, Hose |
| 22 | W11179235 | Foot Assembly, Leveling |
| 23 | W10339879 | Tie, Cable |
| 24 | W10684258 | Pad, Lid Hinge |
| 25 | W10676061 | Cover, Harness |
| 26 | 3400076 | Screw |
| 27 | W11203364 | Hose, Outer Drain Assembly |

LAVADORA WTW4850HW1





LAVADORA WTW4850HW1

| <u>Illus. No.</u> | <u>Part No.</u> | <u>Description</u> |
|-------------------|-----------------|------------------------|
| 1 | | Knob, Timer |
| | W11158829 | White |
| 2 | | Assembly, Control Knob |
| | W11160348 | White |
| 3 | 8536939 | Clip, Spring |
| 4 | W11158207 | Panel, Console |
| 5 | 8312709 | Clip, Console |
| 6 | W10298336 | Nut, "U" |

| <u>Illus. No.</u> | <u>Part No.</u> | <u>Description</u> |
|-------------------|-----------------|--|
| 7 | W11211478 | Control Unit Assembly, Machine and Motor |
| 8 | W10660565 | Screw |
| 9 | W10414398 | Switch, Rotary Encoder (4 Position) |
| 10 | W10414381 | Switch, Rotary Encoder (2 Position) |
| 11 | W10414411 | Switch, Rotary Encoder (5 Position) |

| <u>Illus. No.</u> | <u>Part No.</u> | <u>Description</u> |
|-------------------|-----------------|---------------------------|
| 12 | W10694671 | Harness, Upper |
| 13 | W10711784 | Cord, Power |
| 14 | 3400076 | Screw |
| 15 | W10409320 | Panel, Console Rear Cover |
| 16 | W10869800 | Inlet Assembly, Water |
| 17 | W10868094 | Harness, Valve |
| 18 | W10213953 | Screw |

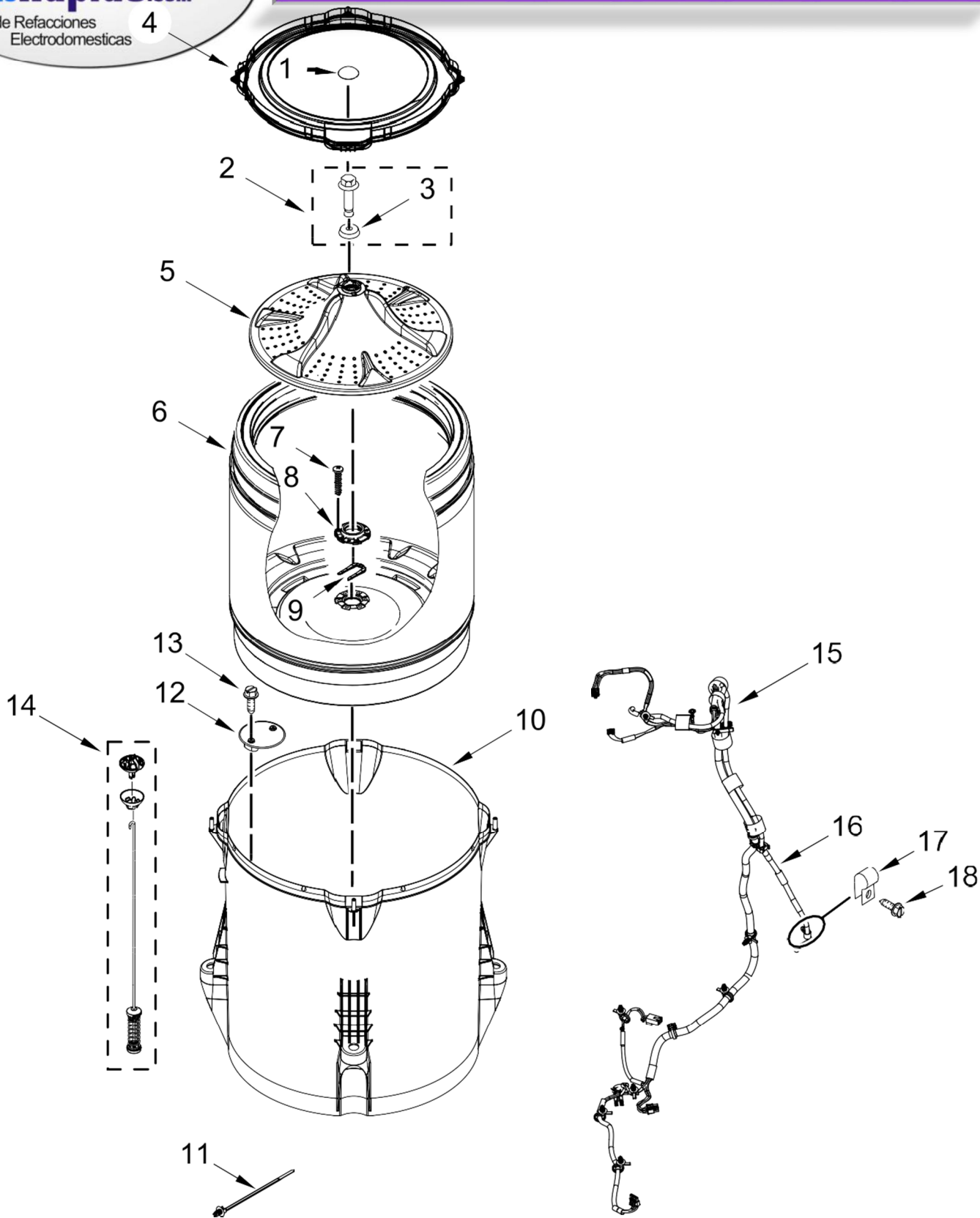
Distribuidor Autorizado

SurteRápido.com

Venta de Refacciones Electrodomesticas



LAVADORA WTW4850HW1





LAVADORA WTW4850HW1

| <u>Illus. No.</u> | <u>Part No.</u> | <u>Description</u> |
|-------------------|-----------------|-----------------------|
| 1 | W10305259 | Cap, Impeller |
| 2 | W10003790 | Screw and Washer |
| 3 | 3949550 | Washer |
| 4 | W11043544 | Tub Ring |
| 5 | W10215115 | Impeller (Washplate) |
| 6 | W11172199 | Basket Assembly |
| 7 | 8533953 | Screw |
| 8 | W10396887 | Hub - Driven, Basket |
| 9 | W10402178 | Retainer, Drive Block |

| <u>Illus. No.</u> | <u>Part No.</u> | <u>Description</u> |
|-------------------|-----------------|--|
| 10 | W10238320 | Tub |
| 11 | W10339680 | Cable Tie |
| 12 | W10215093 | Filter, Drain Pump |
| 13 | 8533928 | Screw |
| 14 | W11159470 | Damper Assembly, Tub Suspension (Set Of 4-Includes Suspension Bushings and Suspension Balls) |
| 15 | W11156556 | Harness, Lower |

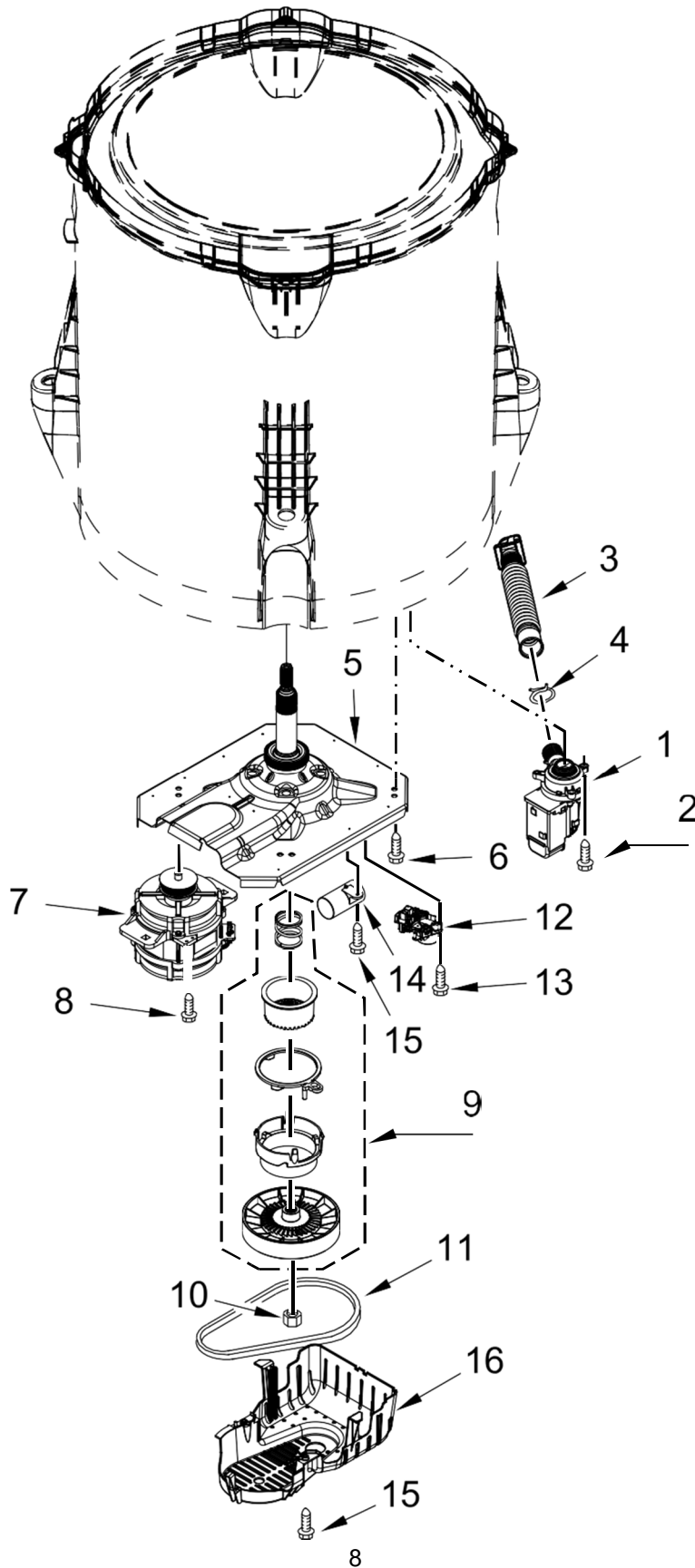
| <u>Illus. No.</u> | <u>Part No.</u> | <u>Description</u> |
|-------------------|-----------------|-----------------------|
| 16 | W10520039 | Hose, Pressure Switch |
| 17 | W10005430 | Clamp, Cable |
| 18 | 8533943 | Screw |

Distribuidor Autorizado

SurteRápido.com

Venta de Refacciones
Electrodomesticas

LAVADORA WTW4850HW1





LAVADORA WTW4850HW1

| <u>Illus. No.</u> | <u>Part No.</u> | <u>Description</u> |
|-------------------|-----------------|----------------------------|
| 1 | W10775446 | Pump Assembly, Drain |
| 2 | W10004910 | Screw |
| 3 | W10763078 | Hose, Inner Drain Assembly |
| 4 | 8317496 | Clamp, Hose |
| 5 | W10870912 | Gearcase Assembly |

| <u>Illus. No.</u> | <u>Part No.</u> | <u>Description</u> |
|-------------------|-----------------|--------------------|
| 6 | W10249633 | Screw |
| 7 | W10677719 | Motor, Drive |
| 8 | W10094780 | Screw |
| 9 | W10721967 | Splutch Kit (60Hz) |
| 10 | W10604214 | Nut |
| 11 | W10808317 | Belt, Drive |

| <u>Illus. No.</u> | <u>Part No.</u> | <u>Description</u> |
|-------------------|-----------------|----------------------|
| 12 | W10815026 | Actuator- Shift |
| 13 | 9741052 | Screw |
| 14 | W10866250 | Capacitor, Motor Run |
| 15 | 357640 | Screw |
| 16 | W11087188 | Shield, Pulley Cover |

OPTIONAL PARTS (NOT INCLUDED)

PAINT, TOUCH-UP (1/2OZ.)

Illus.
No. Part No. Description

72017 White

PAINT, PRESSURIZED SPRAY (12 OZ.)

Illus.
No. Part No. Description

350938 Gray Primer

350930 White

PAINT, BULK (1 QT.)

Illus.
No. Part No. Description

799344 White (Uncut)

WATER SYSTEM PARTS

Illus.
No. Part No. Description

285835 Connector Assembly

285863 4' Drain Hose w/Clamp

285834 Siphon Break Kit

3363920 Adapter, Standpipe
2" Diameter to 1"
Diameter

DRNEXT4 Drain Hose Extension
Kit

SEALER

Illus.
No. Part No. Description

285195 Sealer, Gasket (.20 Fl.
Oz.) (6ml)

COUPLING

Illus.
No. Part No. Description

384496 Coupling, Hose
Extension Kit

ACCESSORY PARTS

Illus.
No. Part No. Description

W10135699 Affresh Odor Remover

8212546RP Inlet Hoses, 4 Ft.
(Two Black Hoses W/
Straight Ends and 4
Rubber Washers)

8212641RP Inlet Hoses, 5 Ft.
(Two Black Hoses W/
Straight Ends and 4
Rubber Washers)

8212545RP Inlet Hoses, 5 Ft. (One
Red Hose and One
Blue Hose W/ Straight
Ends and 4 Rubber
Washers)

8212487 Inlet Hoses, 5 Ft.
(Two Braided Hoses
W/Straight Ends and 4
Rubber Washers)

8212638RP Inlet Hoses, 6 Ft (Two
Braided Hoses W/ One
Straight End and One
90 Degree End and 4
Rubber Washers)

8212656RP Inlet Hoses, 10 Ft.
(Two Black Hoses W/
Straight Ends and 4
Rubber Washers)

285448A Hose Washers
(Package of 4)

285452A Hose Screen
(Package of 2)

8212526 Washer, Drip Tray