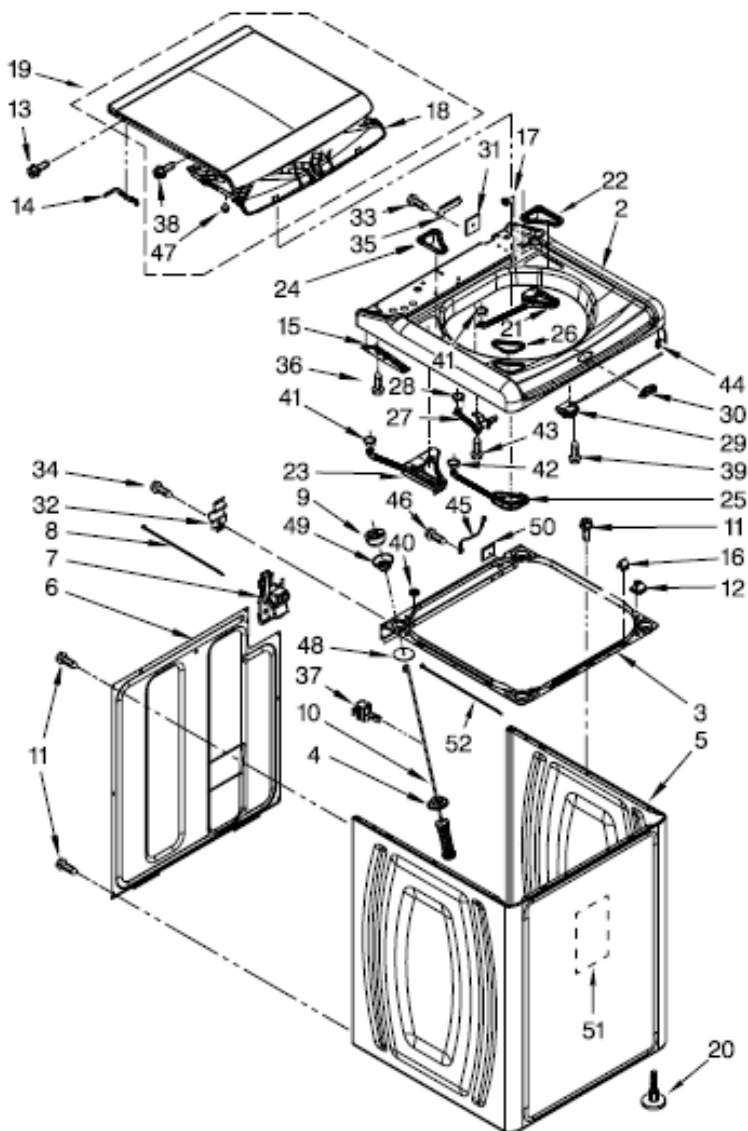


Distribuidor Autorizado

SurteRápido.com

Venta de Refacciones
Electrodomesticas

WTW7340XW2 GABINETE



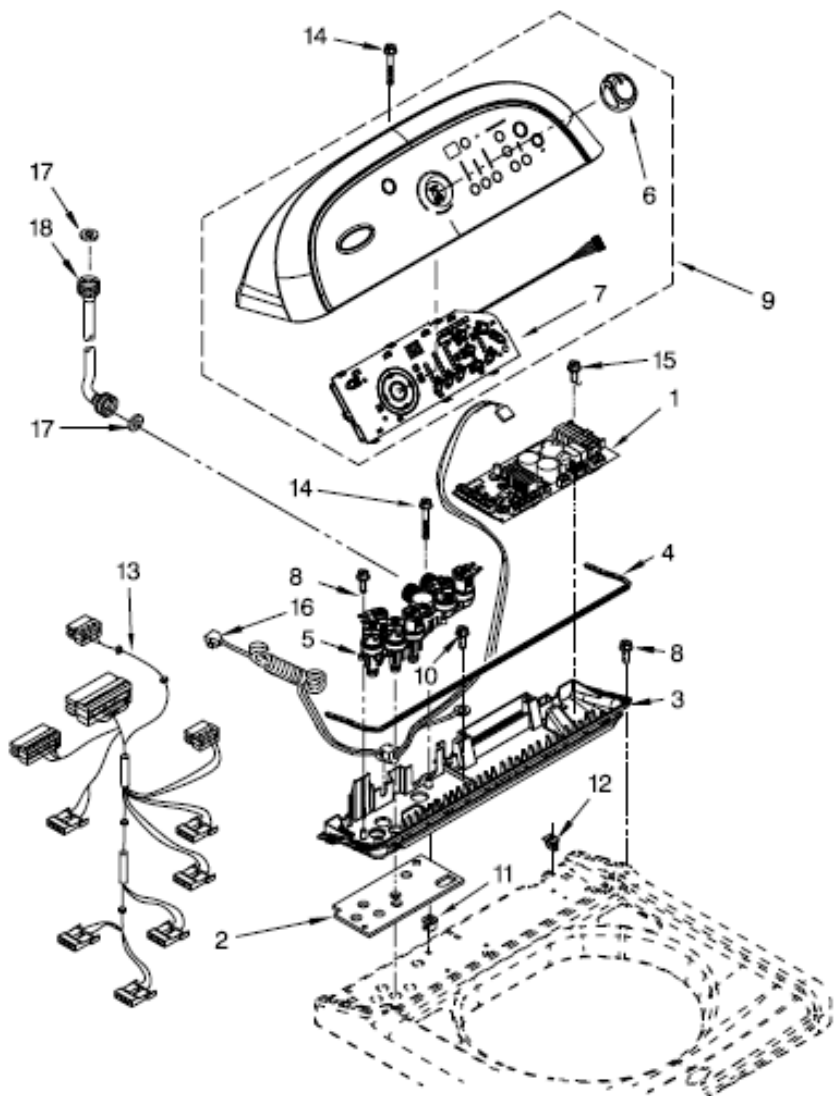


WTW7340XW2 GABINETE

2	3957177	TOP
3	W10162604	FRAME ASSEMBLY,CABINET TOP (INCLUDES ITEM 50)
4	8564017	CUP, SUSPENSION
5	8566097	CABINET
6	8566090	PANEL, REAR
7	W10160572	RETAINER, DRAIN HOSE STORAGE
8	W10155270	CABLE TIE
9	W10111536	BALL, SUSPENSION(SET OF 4 -INCLUDES ITEM 49)
10	W10237427	DAMPER ASSEMBLY,TUB SUSPENSIO
11	1157158	SCREW, 8-18 X 3/8
12	W10042120	LOCATOR, TOP
13	W10119828	SCREW, LID HINGE MOUNTING
14	8563964	HINGE ARM, LID
15		HINGE, SPRING ASSEMBLY
	W10305277	(LEFT)
	W10305278	(RIGHT)
16	8563785	LOCK, TOP-FRONT
17	8546627	BEARING, LID HINGE
18	8572012	LID-INNER
19	8572026	LID ASSEMBLY
20	W10240448	FOOT ASSEMBLY,LEVELING
21	W10172146	DISPENSER, FABRIC SOFTENER
22	W10136371	BEZEL, FABRIC SOFTENER DISPENSER
23	W10187307	DISPENSER, STAIN REMOVER
24	8563876	BEZEL, STAIN REMOVER DISPENSER
25	W10172154	DISPENSER,DETERGENT
26	8563877	BEZEL, DETERGENT DISPENSER
27	W10106990	NOZZLE ASSEMBLY, FRESH WATER
28	371503	CLAMP, HOSE
29	W10059230	LOCK ASSEMBLY, LID
30	8572019	BEZEL, LID LOCK
31	W10161707	TOP FOAM SEAL
32	8564456	HINGE, TOP

33	3390647	SCREW, 8-18 X 1/2
34	343641	SCREW, 10-16 X 1/2
35	8563941	COVER, HARNESS
36	693995	SCREW, 8-18 X 3/8
37	8543784	BRACKET, DRAIN HOSE
38	8563892	SCREW, 8-18 X 5/8
39	8281136	SCREW, 10-16 X 3/4
40	8576476	SPACER, REAR (CABINET/TOP)
41	370451	CLAMP, HOSE
42	371503	CLAMP, HOSE
43	3400061	SCREW, 10-16 X 9/16
44	90016	CLIP, HARNESS
45	8281736	WIRE, GROUND JUMPER
46	3400076	SCREW, 10-32 X 5/8
47	W10076780	BUMPER, LID
48	8577896	WASHER, SUSPENSION UMBRELLA
49	W10167599	BUSHING,SUSPENSION (SET OF4-INCLUDES ITEM 9)
50	8578386	SHIELD, WIRE HARNESS
51	W10177046	CABINET-DAMPER,SOUND
52	W10063340	CABLE TIE

WTW7340XW2 TABLERO

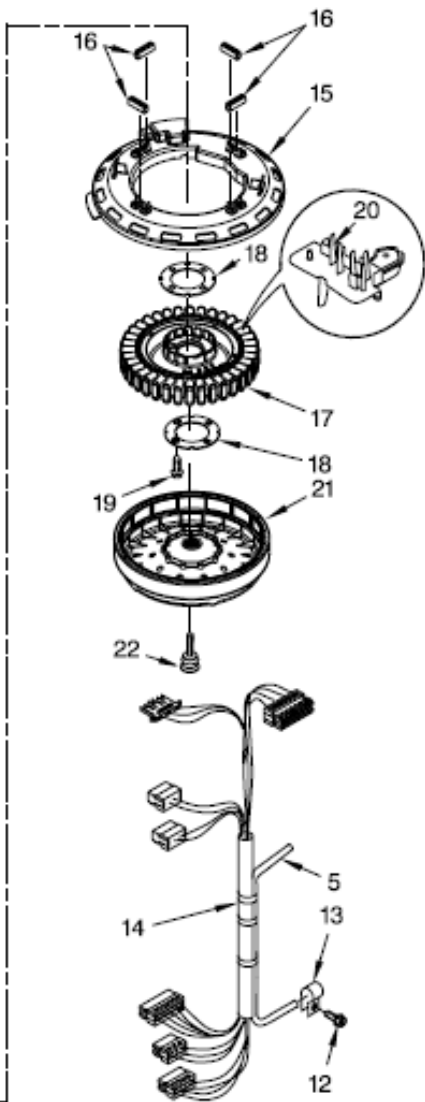
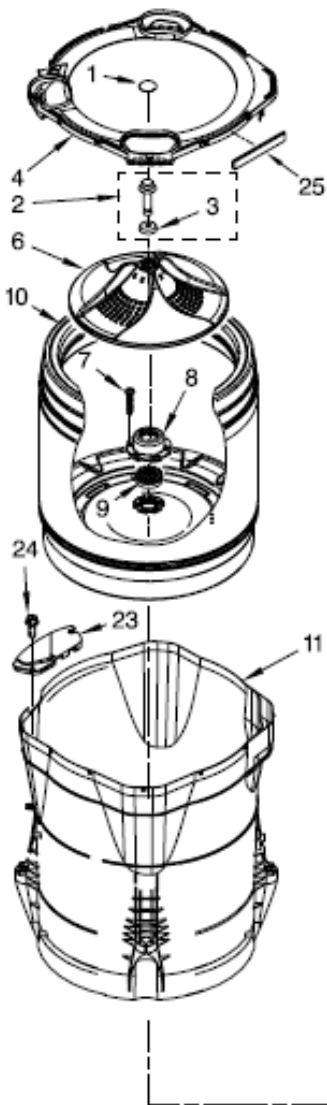




WTW7340XW2 TABLERO

1	W10372181	CONTROL UNIT ASSEMBLY, MACHINE & MOTOR
2	W10130502	GASKET, VALVE TRAY
3	8578550	TRAY ASSEMBLY, CONSOLE (INCLUDES ITEMS 2 & 4)
4	8546616	GASKET, CONSOLE/TRAY
5	W10326913	VALVE, LOG
6	W10211335	KNOB, CONTROL
7	W10297397	USER INTERFACE
8	W10052600	SCREW, 8-18 X 3/4
9	W10211352	CONSOLE
10	3351614	SCREW, POWER CORD GROUND
11	98460	NUT, PUSH-IN
12	W10022060	NUT, PUSH-IN
13	W10328039	HARNESS, VALVE
14	8565324	SCREW, 10-16 X 1.75
15	8281136	SCREW, 8-18 X 3/4
16	3407203	CORD ASSEMBLY, POWER
17	W10242307	WASHER, WATER INLET HOSE
18		HOSE, WATER INLET
	W10194208	COLD WATER
	8571378	HOT WATER

WTW7340XW2 TINAS

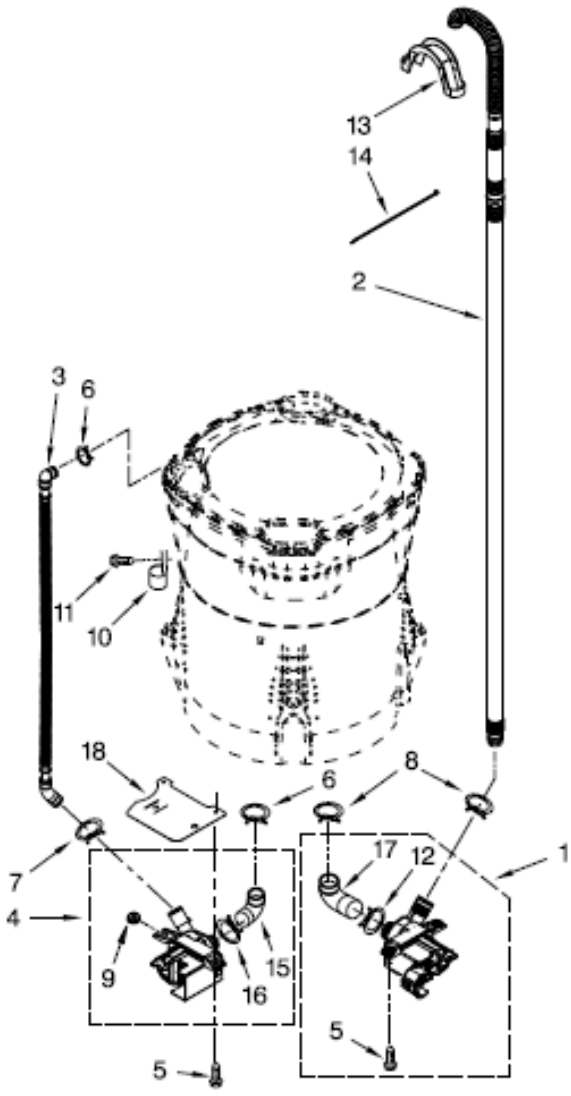




WTW7340XW2 TINAS

1	W10305259	CAP, IMPELLER
2	W10076270	SCREW & WASHER ASSEMBLY
3	W10076260	WASHER
4	W10309696	TUB RING (INCLUDES ITEM 25)
5	8572540	HOSE PRESSURE SWITCH
6	W10286241	IMPELLER (WASHPLATE)
7	8533953	SCREW, 8-16 X 1.00
8	W10118114	HUB, BASKET-DRIVEN (INCLUDES ITEM 9)
9	8545953	HUB, BASKET-DRIVER (INCLUDES ITEM 8)
10	W10310957	BASKET ASSEMBLY (INCLUDES ITEMS 7, 8, & 9)
11	W10128830	TUB & DRIVE SHAFT ASSEMBLY
12	8533957	SCREW, 10-16 X 1/2
13	W10005430	CLAMP, PRESSURE HOSE RETAINER
14	W10137697	HARNESS, LOWER (INCLUDES ITEM 5)
15	W10137698	SHIELD, DRIVE MOTOR (INCLUDES ITEM 16)
16	8565172	TUBE, BUFFER (SET OF 4)
17	8565170	STATOR, MOTOR (INCLUDES ITEM 18)
18	8557836	PLATE, STATOR (SET OF 2)
19	8534042	SCREW, 1/4-20 X .968
20	W10178988	RPS ASSEMBLY
21	8565177	ROTOR, MAIN DRIVE MOTOR (INCLUDES ITEM 22)
22		BOLT, ROTOR ASSEMBLY NON-SERVICEABLE
23	W10222008	FILTER, DUAL PUMP HOOD
24	8533928	SCREW, 8-18 X 3/4
25	W10205824	ABSORBER, IMPACT

WTW7340XW2 BOMBA





WTW7340XW2 BOMBA

1	W10281682	PUMP ASSEMBLY, DRAIN
2	W10236686	HOSE, DRAIN
3	8543774	HOSE, RECIRC
4	W10049400	PUMP ASSEMBLY, DRAIN
5	W10004910	SCREW, 12-16 X 1.125
6	370449	CLAMP, HOSE
7	8269146	CLAMP, HOSE
8	8317496	CLAMP, HOSE
9	8182771	GROMMET, PUMP MOUNTING
10	8534021	CLAMP, RECIRC HOSE RETAINER
11	8533943	SCREW, 10-16 X 3/4
12	8182768	CLAMP, DRAIN PUMP HOSE
13	8576642	RETAINER, DRAIN HOSE
14	W10339879	CABLE TIE
15	8182769	HOSE, RECIRC PUMP
16	8182770	CLAMP, RECIRC PUMP HOSE
17	8182767	HOSE, DRAIN PUMP
18	8578572	SHIELD, RECIRC PUMP