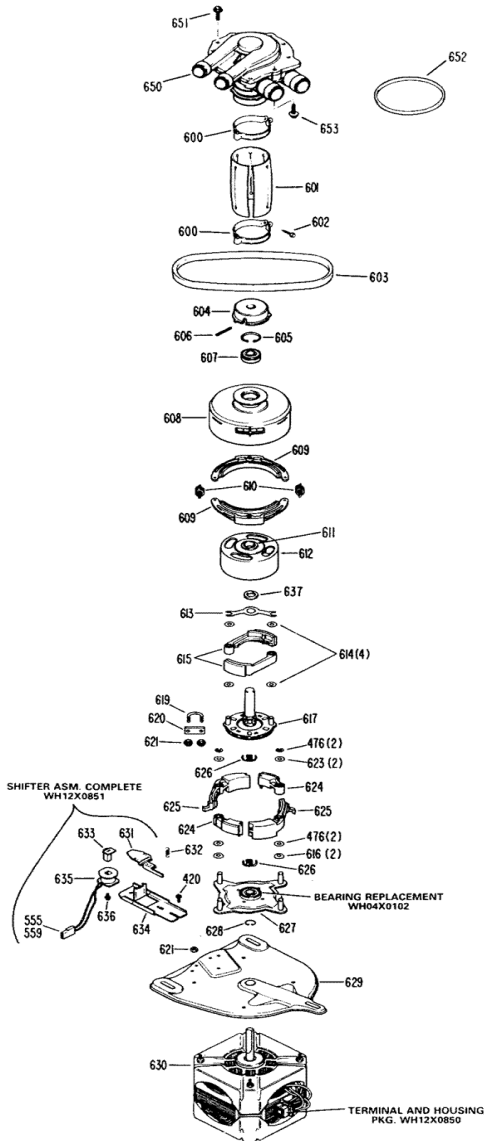


WWA8350GBL MOTOR / BOMBA





WWA8350GBL MOTOR / BOMBA

420	WH02X0893	SCR 10-16 HX 3/8 S
420	WH02X0893	SCR 10-16 HX 3/8 S
420	WH02X0893	SCR 10-16 HX 3/8 S
476	WZ13X0031	E RING
555	WB17X5053	TERMINAL
559	WH12X0538	HOUSING TERMINAL
600	WH01X1621	CLAMP COUPLING
601	WH01X1722	COUPLING FLEXIBLE
602	WH02X0941	SCR 8-15 A HXW 7/8 S
603	WH01X2026	BELT
604	WH07X0045	PLATE LOWER DRIVE
605	WH02X0190	RING RETAINING
606	WZ11X0050	ROLL PIN
607	WH04X0012	BEARING BALL
608	WH05X0175	CLUTCH OUTER ASM
609	WH07X0103	SHOE ASM SLIP
610	WH01X1337	SPRING SLIP SHOE
611	WH04X0091	BEARING KIT
612	WH05X0207	DRUM INNER
613	WH01X1309	SPRING CLUTCH LEAF
614	WH02X0539	WASHER FLAT
615	WH07X0110	SHOE CLUTCH PRIMARY (2)
616	WH02X0662	WASHER BOW
617	WH40X0150	PLATE ASM CWTCH BASE
619	WH02X0543	BOLT U
620	WH01X1169	PLATE CLAMP
621	WZ08X0006	NUT WASHER
623	WH02X0580	WASHER FLAT
624	WH05X0193	SHOE ASM
625	WH07X0076	SHOE ASM
626	WH01X1258	SPRING LOCK IN SHOES
627	WH17X0053	PLATE ASM CARRIER
628	WZ13X0006	RING RETAINING

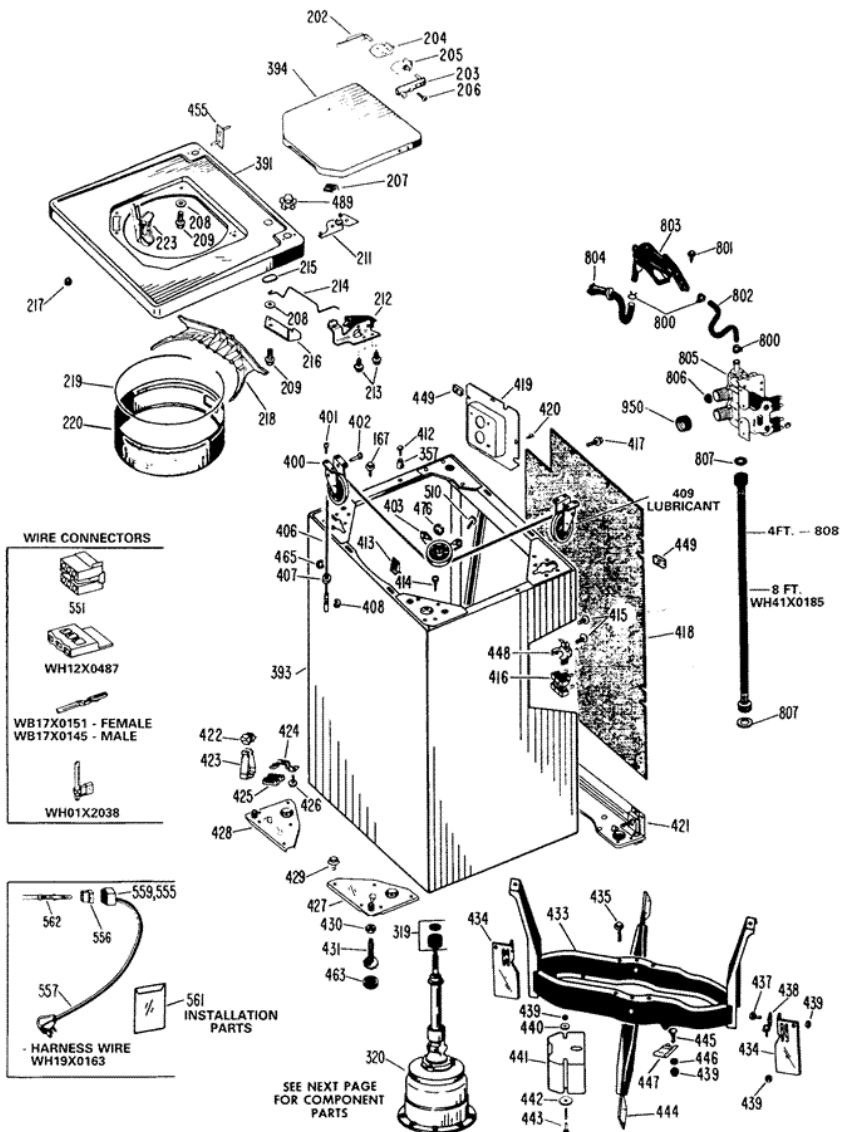
629	WH17X0086	MOUNT MOTOR
630	WH20X0064	MOTOR ASM.
631	WH01X2055	SPRING & CATCH ASM
632	WH01X1797	SPRING
633	WH12X0406	SHUNT & CORE ASM
634	WH16X0478	MOUNT SOLENOID
635	WH12X0533	COIL ASM
636	WH02X0765	SCR 8-32 M HX 3/8 S
637	WH02X0634	WASHER FLAT
650	WH23X0042	PUMP ASM
651	WH02X0888	SCR 1/4-14 BT HXW 1 S
652	WH08X0286	GASKET PUMP
653	WH02X0938	SCR 10- 1 6 AB HXW 1 3/8 S

Distribuidor Autorizado

SurteRápido.com

Venta de Refacciones
Electrodomesticas

WWA8350GBL GABINETE





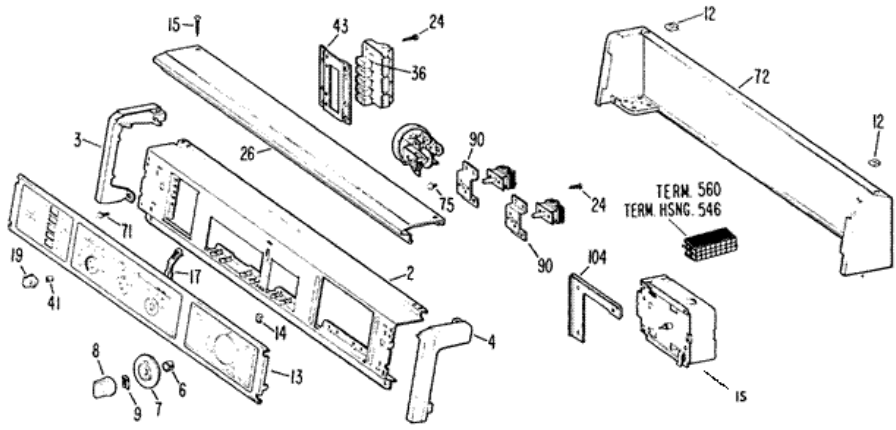
WWA8350GBL GABINETE

167	WE02X0186	SCREW
167	WE02X0186	SCREW
202	WH01X2085	HINGE PIVOT L.H.
203	WH01X2222	HINGE PIVOT R.H.
204	WH01X2087	PAD-HINGE L.H.
205	WH01X2086	PAD-HINGE R.H.
206	WH02X0819	SCREW
207	WH01X1654	BUMPER LID
208	WH01X2088	GASKET
209	WH02X0820	SCREW
211	WE01X0553	GASKET INSULATING
212	WH12X0494	SWITCH & BRACKET ASM
213	WZ04X0345	SCREW 8-18X5/8 HW
214	WH01X2090	ACTUATOR SWITCH
215	WH01X2089	KNOB ACTUATOR
216	WH16X0376	BRACKET ACTUATOR
217	WH01X1480	BUMPER
218	WH16X0413	RETAINER COVER SHIELD
219	WH16X0370	STRAP STEEL
220	WH08X0366	SHIELD COVER
223	WH01X2054	SPOUT BLEACH WH
223	WH01X2232	SPOUT BLEACH AD
223	WH01X2234	SPOUT BLEACH HA
319	WH01X1986	SUPPORT AGITATOR
320	WH38X0039	TRANSMISSION LG CAP
357	WH01X2187	STOP COVER
391	WH44X0901	COVER ASM WH
391	WH44X0984	COVER ASM AD
391	WH44X0987	COVER ASM HA
393	WH46X0172	APRON & BRACE ASM WH
393	WH46X0195	APRON & BRACE ASM AD
393	WH46X0198	APRON & BRACE ASM HA
394	WH44X0525	LID WH

394	WH44X0976	LID AD
394	WH44X0979	LID HA
400	WH07X0040	PULLEY & BRACKET ASM
401	WH02X0940	SCR 8-32 TT FL 1/2 S
402	WH01X1633	PIN STOP
403	WH07X0041	PULLEY AND BRKT ASM
406	WH16X0379	CABLE LG CAPACITY
407	WH01X2081	CUP WASHER BLACK
407	WH01X2082	CUP WASHER WHITE
408	WH01X2060	RETAINER-SEAT
412	BUY LOCAL	OVEN LAMP
413	WH01X1923	CLIP COVER
414	WH02X0715	SCR 12-14 B HX 3/4 5
416	WH12X0235	RELAY ASM
417	WH02X0694	SCR 10-12 A HX 1/2 S
418	WH44X1134	BACK APRON
419	WH16X0483	BRACKET VALVE
420	WH02X0893	SCR 10-16 HX 3/8 S
420	WH02X0893	SCR 10-16 HX 3/8 S
420	WH02X0893	SCR 10-16 HX 3/8 S
421	WH46X0188	LEG & STRAP ASM
422	WH01X2296	FRICTION PADS
423	WH01X1951	YOKE
424	WH01X1862	CLAMP YOKE
425	WH01X1953	CUSHION YOKE
426	WH02X0882	SCREW
427	WH46X0181	BRACKET BASE RH
428	WH46X0182	BRACKET BASE LH
429	WH02X0795	SCREW 1/4-14 3/8 B HXW
430	WZ07X0040	NUT
431	WH01X0209	SCR 3/8-24 LVL 2 S
433	WH17X0087	SUSPENSION ASM
434	WH16X0369	DAMPING FIN 18#
435	WH02X1121	SCR 1/4-20 CA
437	WZ02X0514	SCR 1/4-20 M HX 13/16 S
438	WH16X0405	HANGER ASM MOTOR
439	WH02X0707	NUT LOCK
440	WH02X0810	SPACER

441	WH01X2057	COUNTERWEIGHT
442	WH02X0811	WASHER FLAT
443	WH02X0812	SCREW
444	WH16X0368	DAMPING FIN & SUPT 18#
445	WH02X0798	SCREW
446	WE02X0279	WASHER
447	WH02X0801	RETAINER BOLT
448	WH01X1998	BRACKET
449	WH02X0896	CLIP
455	WH01X1946	STRAP COVER
463	WH01X0484	CAP LEVEL SCREW
465	WZ13X0024	RETAINER SEAT
476	WZ13X0031	E RING
489	WH01X2572	SLEEVE SPLIT
510	WE02X0263	SCREW 10-16X1/2 HW
551	WH12X0417	HOUSING TERMINAL
555	WB17X5053	TERMINAL
556	WH12X0497	HOUSING TERMINAL
557	WH19X0225	CORDSET ASM
559	WH12X0538	HOUSING TERMINAL
561	WH49X0272	PK PACK ASM INSTALLATION
562	WB17X5054	TERMINAL
800	WH01X2036	CLAMP HOSE
801	WD02X5063	SCR 8-18 PH HW 13/32 S
802	WH41X0099	HOSE VALVE
803	WH41X0132	INLET ASM
804	WH41X0170	HOSE INLET
805	WH13X0062	VALVE WATER ASM
806	WH01X1400	SCREEN
807	WH02X0042	HOSE WASHER
808	WH41X0058	HOSE ASM INTAKE
950	WH01X1732	PS CAP-HOSE

WWA8350GBL TABLERO





WWA8350GBL TABLERO

2	WE19X0719	ESCUTCHEON ASM
3	WE19X0793	TRIM END LH
4	WE19X0792	TRIM END RH
6	WH02X0650	RING COMPRESSION
7	WH11X0091	DIAL ASM
8	WH01X2119	KNOB ASM
9	WH01X2117	CLIP SPRING
10	WH12X0721	SWITCH WATER LEVEL VAR/M
12	WB01X0358	CLIP
13	WH42X2119	SWITCH TRIM ASM
14	WE01X0762	CLIP GROUNDING
15	WZ04X0319	SCR 8-18 BA OPR 1 7/16 S
17	WH01X2008	CLIP TRIM
19	WE01X1069	KNOB CLIP ASM
26	WH42X2131	TRIM ASM TOP
35	WH12X0720	SWITCH ASM 3 BUTTON
36	WE01X0981	BUTTON SWITCH
41	WE01X0980	U CLIP
43	WH16X0343	PLATE SWITCH
46	WZ04X0238	SCR 8-18 AB HW 1/2 S
71	WH02X0947	SCREW
72	WH46X0211	WELD ASM-HOUSING WH
72	WH46X0212	WELD ASM-HOUSING AD
72	WH46X0215	WELD ASM-HOUSING HA
75	WH02X0930	SCREW 8-18 AB HXW 3/8
90	WH16X0434	BRACKET SWITCH
91	WH12X0724	SWITCH ASM ROTARY
100	WH12X0932	TIMER ASM