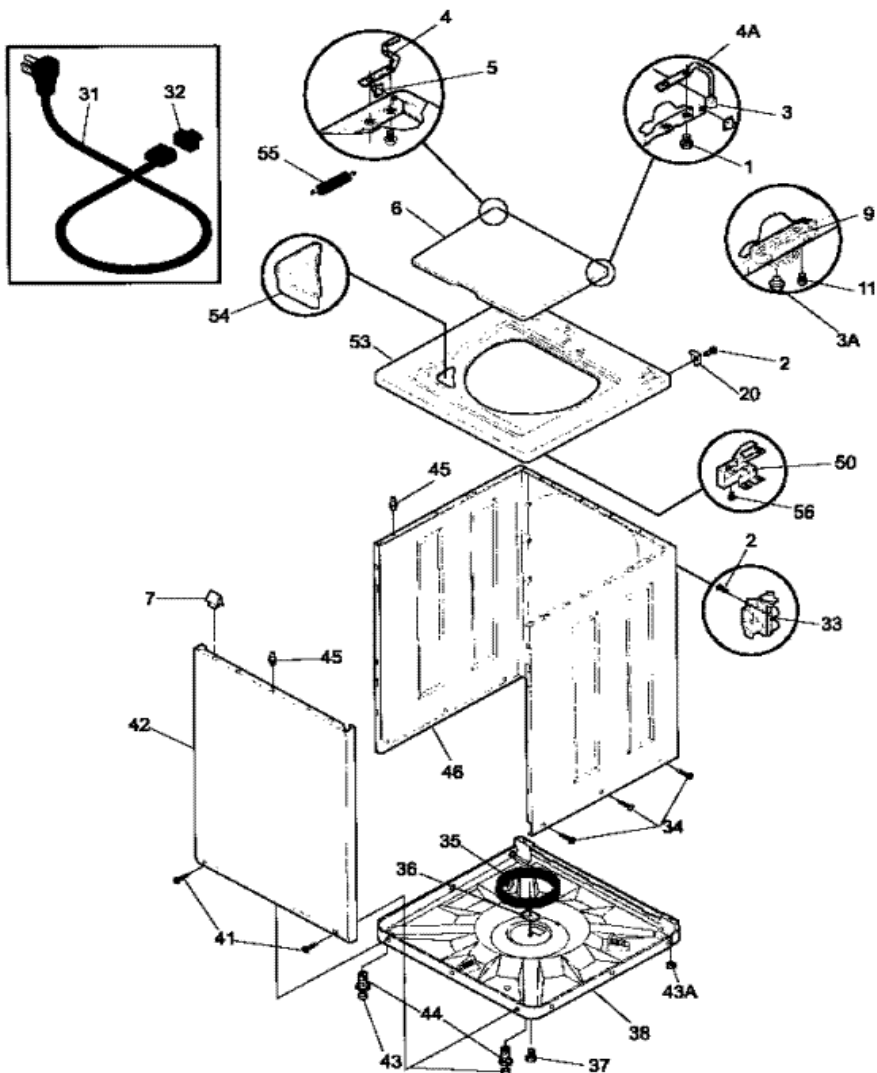


Distribuidor Autorizado

SurteRápido.com

Venta de Refacciones  
Electrodomesticas

# WWX233REW0 GABINETE





**WWX233REW0 GABINETE**

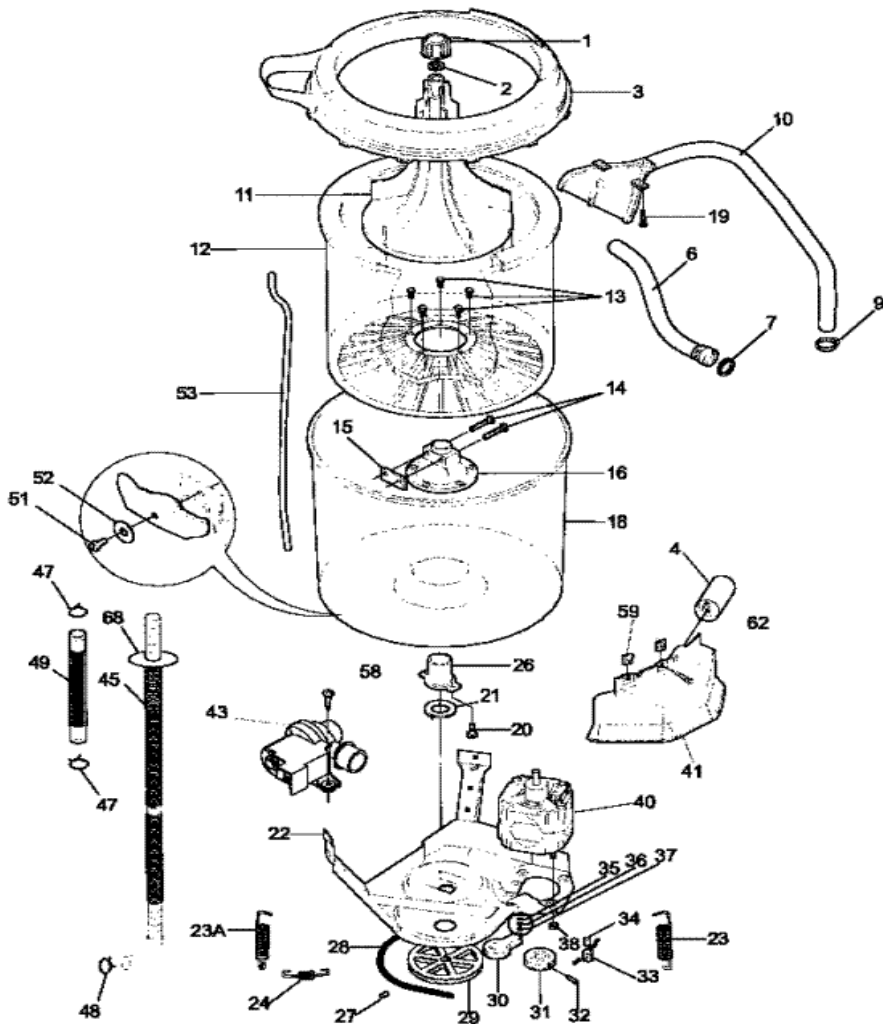
1	131587500	SCREW-HINGE, (S/P)
2	131168200	SCREW,8-18 X 0.31 (S/P)
3	131433300	BUMPER-HINGE (S/P)
3	134075500	BUMPER-LID
4	131385910	HINGE-BAR,LH (S/P)
4	131374210	HINGE-BAR,RH (S/P)
5	5303208743	GROMMET-LID (S/P)
6	131374401	LID-WHITE-W/1-800 (S/P)
7	3205821	CLIP-TOP PANEL,TO FRONT PANEL (S/P)
9	131390000	STRIKE-LID
11	3204368	SCREW-STRIKE,PFH B ,6-20X.375 (S/P)
20	5303208751	HINGE-REAR CABINET
31	134501000	CORD-SERVICE (S/P)
32	5303209428	BUSHING-CORD (S/P)
33	134190200	VALVE-WATER
34	131205500	SCREW-BODY,1/4-14 X 0.625 (S/P)
35	5308002385	RING-SNUBBER
36	3204380	BLOCK-SHIPPING (S/P)
37	131658900	SCREW-SHIPPING (S/P)
38	5303311213	BASE ASSEMBLY (S/P)
41	131258400	SCREW-FRONT (S/P)
42	131104303	PANEL-FRONT,WHITE (S/P)
43	131422200	PAD-LEVEL LEG (S/P)
43	131422100	PAD-LEVELING LEG
44	5303309673	LEG-LEVELING,WITH PAD
45	131346400	PIN-LOCATING (S/P)
46	134046600	BODY-WHITE (S/P)
50	134101800	LOCK-LID
53	131452692	PANEL-TOP,WHITE (S/P)
54	5303208778	DISPENSER-BLEACH (S/P)
55	5303212876	SPRING-LID
56	131243800	SCREW-BRKT TOP, (S/P)

Distribuidor Autorizado

SurteRápido.com

Venta de Refacciones  
Electrodomesticas

WWX233REW0 TINA



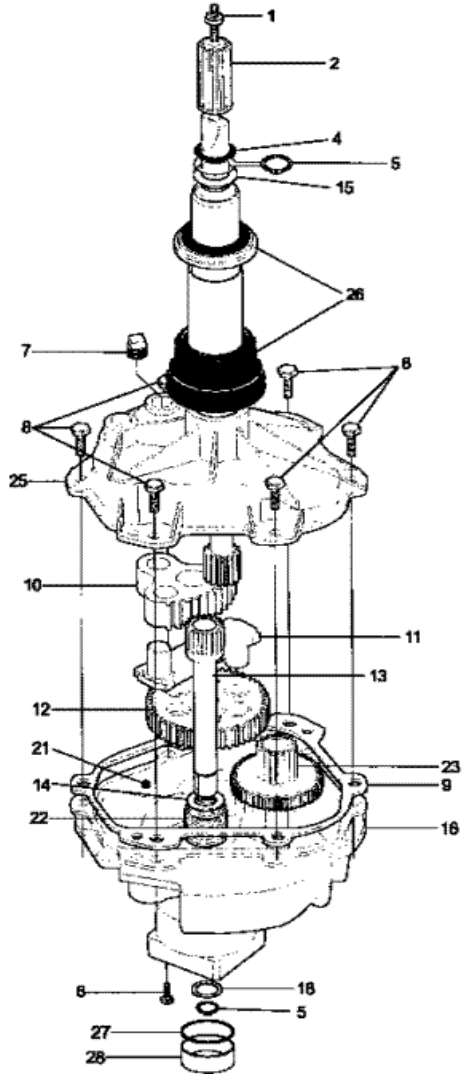
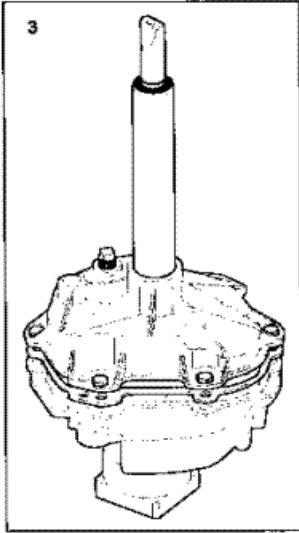


## WWX233REW0 TINA

1	3204395	CAP-AGITATOR
2	3204396	SEAL-CAP
3	131398300	COVER-SPLASH TUB
4	131212301	CAPACITOR <b>(S/P)</b>
6	131279600	HOSE-INLET <b>(S/P)</b>
7	5303161296	WASHER-INLET HOSE <b>(S/P)</b>
9	5303304824	CLAMP
10	131726300	HOSE AND NOZZLE
11	3204401	ASSY-AGITATOR-STANDARD-SLIM
12	131370400	TUB-SPIN,AND TRUNNION
13	5303283293	SCREW-TRUNNION,UNC2AX.625 ,.312-18 ,(5)
14	131192800	SCREW-LOCKPLATE,HX ,.312-18 X.1.625
15	5308001923	LOCK PLATE
16	131545101	TRUNNION
18	131557201	TUB-SPLASH,WAIR DOME,BRNG <b>(S/P)</b>
19	131205300	SCREW-DOOR,10-16X.75 <b>(S/P)</b>
20	3205150	SCREW-TUB <b>(S/P)</b>
21	5308002401	WASHER,SPIN BEARING ,UPPER
22	131373610	LEG & DOME ASSY
23	5303208860	SPRING-VERTICAL
23	5303208858	SPRING-VERTICAL,SHORT
24	131373900	SPRING-HORIZONTAL
26	3204405	BEARING-OUTER TUB
27	5303304825	SCREW-SET,HHD <b>(S/P)</b>
28	131686100	BELT-WASHER
29	131498300	PULLEY-TRANSMISSION
30	131862900	ASMY-IDLER ARM
31	3204423	PULLEY-MOTOR
32	3204424	PIN-ROLL <b>(S/P)</b>
33	3204425	SPRING-TORSION
34	3204426	SLEEVE-IDLER
35	3161433	RING-RETAINING
36	5303261031	WASHER-PIVOT SHAFT

37	5303161306	WASHER-SPRING
38	5303318708	NUT-MOTOR <b>(S/P)</b>
40	131759900	MOTOR-MAIN,1SPD 1/2HP
41	131513300	SHIELD-MOTOR <b>(S/P)</b>
43	134051200	ASMY-PUMP
45	131461200	HOSE-DRAIN,90 INCH
47	131306234	CLAMP-HOSE TO TUB <b>(S/P)</b>
48	131306234	CLAMP-PUMP <b>(S/P)</b>
49	131494800	HOSE-PUMP TO TUB
51	131659000	SCREW-LEG,HWH TYP23 ,5/16-18X.875 <b>(S/P)</b>
52	3005891	WASHER-LEG,IDX.040 ,1.25 ODX.335 <b>(S/P)</b>
53	5300771996	TUBE-PRESSURE <b>(S/P)</b>
58	131464900	SCREW-PUMP-TO BRACKET <b>(S/P)</b>
59	5303283052	CLIP-SHIELD <b>(S/P)</b>
62	131258400	SCREW <b>(S/P)</b>
68	131707800	RING-DRAIN HOSE <b>(S/P)</b>

**WWX233REW0 TRANSMISION**





## WWX233REW0 TRANSMISION

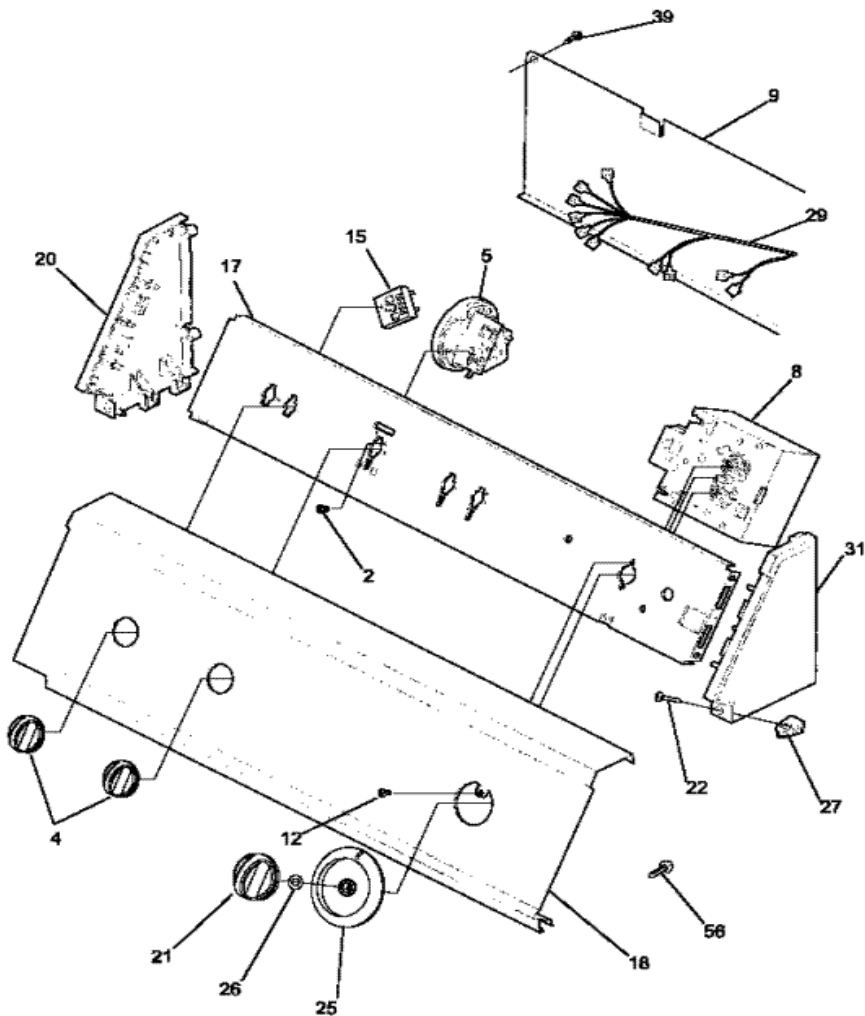
1	131206800	STUD-AGITATOR CAP (S/P)
2	134418700	HUB-DRIVE,AGITATOR
3	134588800	TRANSMISSION-COMPLETE
4	5303161307	SEAL-UPPER LIP
5	5303161223	RING-RETAINING
6	131346600	SCREW (S/P)
7	5303161224	PLUG-PIPE (S/P)
8	5308002804	SCREW-TRANSM. (S/P)
9	5308015778	GASKET
10	5308011268	GEAR-SECTOR
11	131632701	ROD-CONNECTING
12	5308015496	GEAR-CRANK
13	5308014905	<b>DESCONTINUADO</b>
14	5303161226	WASHER-THRUST (S/P)
15	5303161232	<b>DESCONTINUADO</b>
16	131557800	<b>DESCONTINUADO</b>
18	5308002475	WASHER-SPACER (S/P)
21	3005242	OIL-TRANSMISSION,1QT (S/P)
22	5303161174	SPRING-SMALL LGS
23	5303161175	GEAR-IDLER
25	131878300	HOUSING-UPPER W/SHAFT (S/P)
26	5308950197	SEAL-TUB
27	131784300	<b>DESCONTINUADO</b>
28	131784400	SPACER-TRANS BRG BLOCK-KOYO (S/P)

Distribuidor Autorizado

SurteRápido.com

Venta de Refacciones  
Electrodomesticas

## WWX233REW0 TABLERO







**WWX233REW0 TABLERO**

2	131168200	SCREW,8-18 X 0.31 (S/P)
4	131786602	KNOB-ROTARY,BLACK/GRAY ,(2)
5	131047500	SWITCH-PRESSURE
8	131436700	TIMER-WASHER
9	3205898	BACKSHEET-CONSOLE (S/P)
12	5303283289	SCREW,CR PAN HEAD , (S/P)
15	134407700	SWITCH-TEMPERATURE (S/P)
17	131728900	BRACKET-CONTROL (S/P)
18	131508300	PANEL-CONTROL (S/P)
20	5303291344	END CAP,BLACK ,LH
21	131118400	KNOB-TIMER,BLACK
22	131266300	SCREW-END CAP, (S/P)
25	131118502	DIAL-TIMER,BLACK/GRAY (S/P)
26	5308015493	SPACER-TIMER SHAFT (S/P)
27	131197000	CLIP-CONTROL PANEL (S/P)
29	131793800	HARNESS-WASHER WIRING (S/P)
31	5303291352	END CAP,BLACK ,RH
39	131205100	SCREW,8 PAN HEAD , (S/P)
56	131243800	SCREW-BRKT TOP, (S/P)