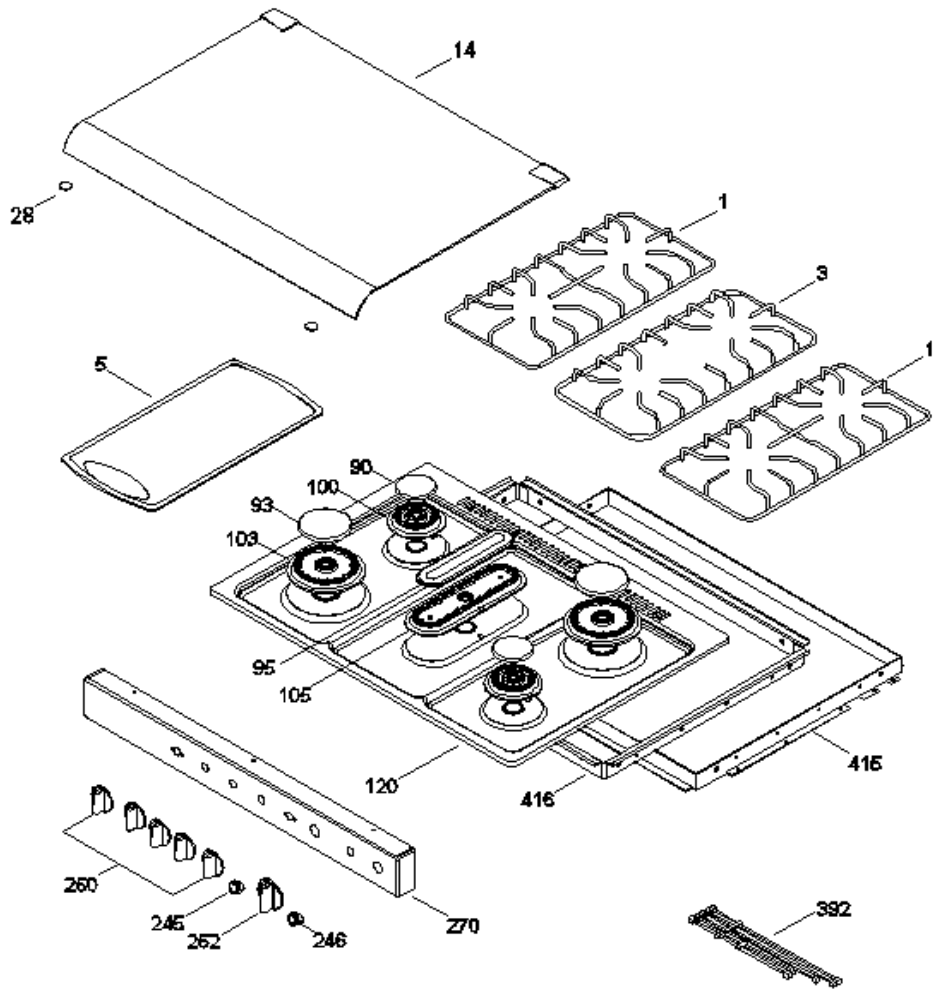
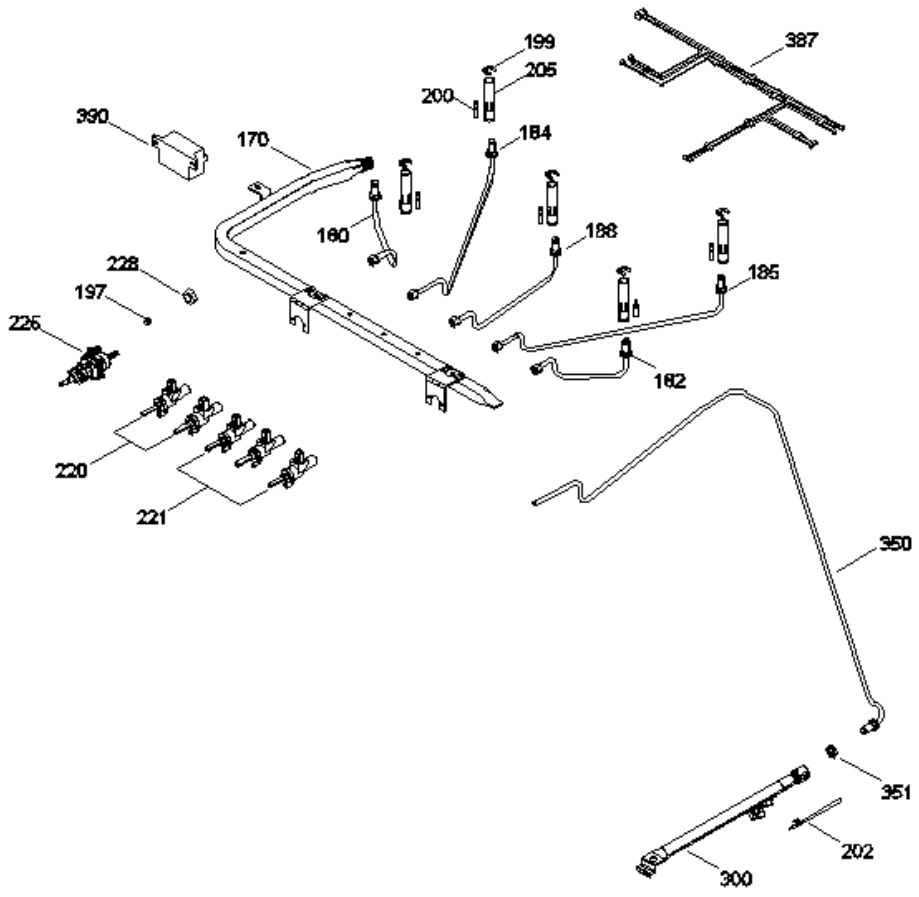


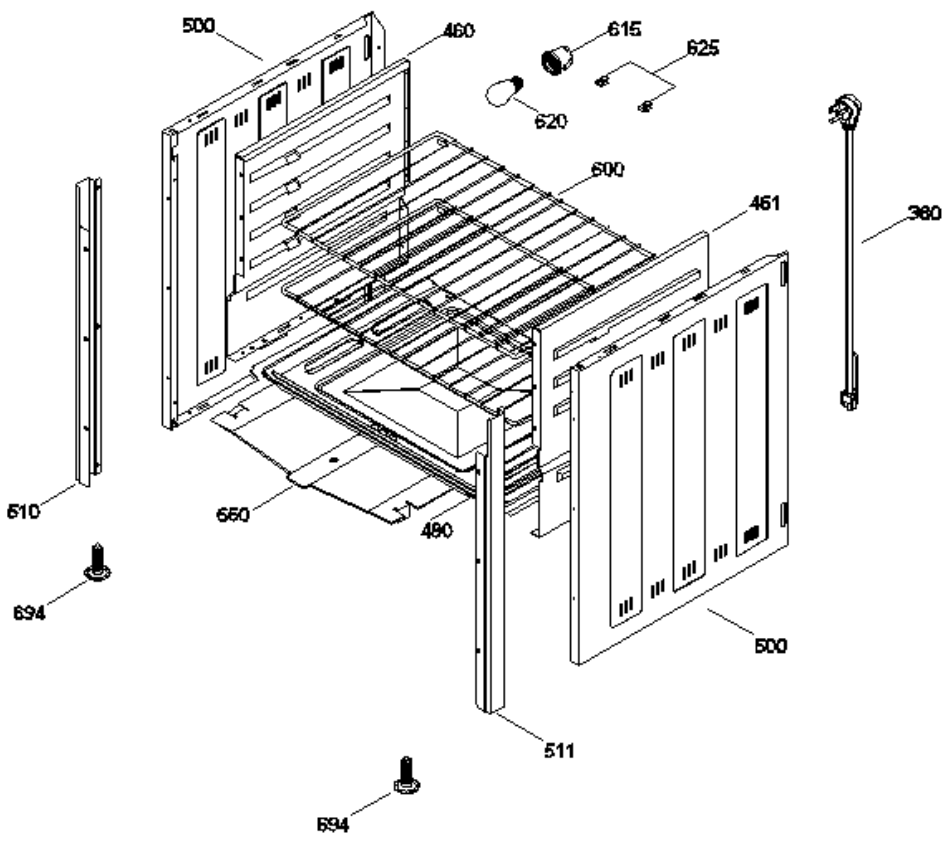
XO5500D2A



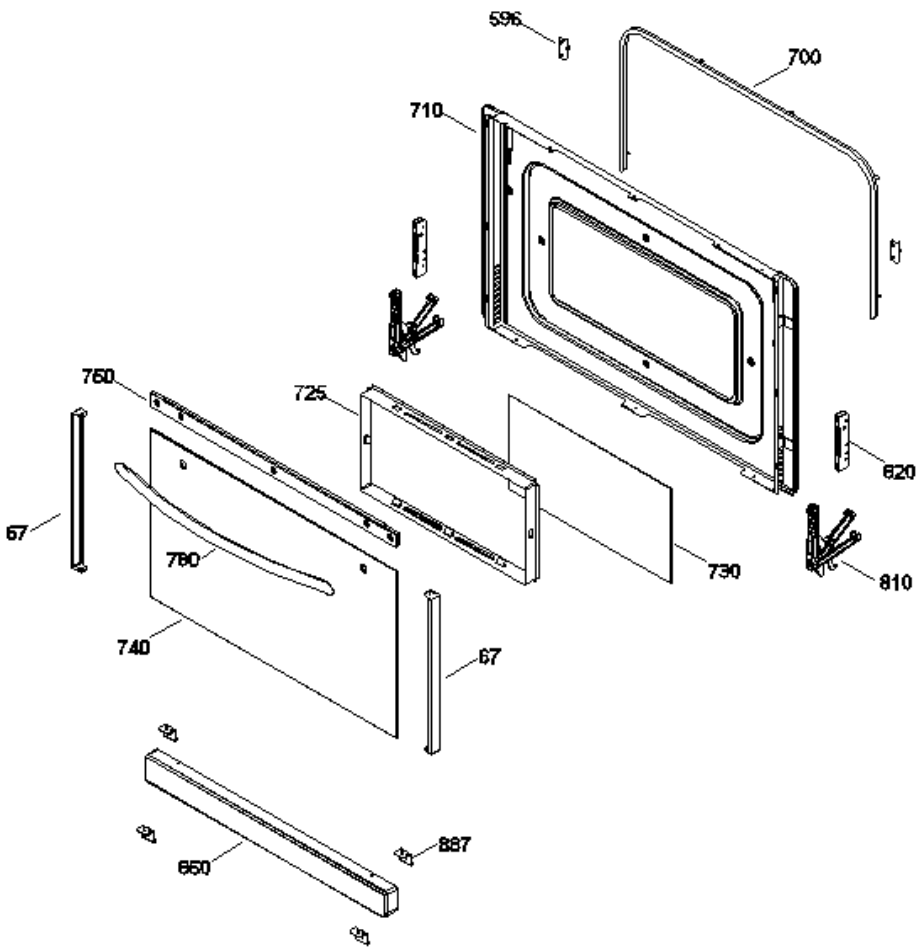
XO550D2A



XO550D2A



XO5500D2A





XO5500D2A

1	MAL910	PARRILLA SUPERIOR NEGRA
3	MAL912	PARRILLA SUPERIOR CENTRAL (S/P)
5	COMAL01	COMAL TEFLONIZADO (S/P)
14	183D7089G023	CAPELO ENSAMBLE (S/P)
28	317B6750P001	AMORTIGUADOR CAPELO TRANSP. (S/P)
67	223C4365P001	POSTE PLATINUM (S/P)
90	MAL410	TAPA QUEMADOR SUP. 3" (NGA.)
93	MAL415	TAPA QUEMADOR SUP. 4" (NGA.)
95	MAL412	TAPA QUEMADOR CENTRAL (NGA.)
100	MAL407	QUEMADOR 3"
103	181D7527P005	QUEMADOR 4" (S/P)
105	MAL413	QUEMADOR CENTRAL (S/P)
120	183D7177P057	CUBIERTA SUPERIOR INOX (S/P)
170	183D9884G001	TUBO DE VALVULAS ENS (S/P)
180	183D9891G001	TUBO ALIMNT FRONT IZQ (S/P)
182	183D9888G001	TUBO ALIMNT FRONT DER (S/P)
184	183D9890G001	TUBO ALIMNT POST IZQ (S/P)
185	183D9889G001	TUBO ALIMNT POST DER (S/P)
188	183D9887G001	TUBO ALIMENT CENTRAL (S/P)
197	245B1239P002	FERULA VALVULA QUEMADOR (S/P)
199	263B6380P004	CLIP BUJIA (S/P)
200	317B6938P001	BUJIA (S/P)
202	221C3634P001	BUJIA ENCENDIDO HORNO (S/P)
205	245B1877G001	REGULADOR DE AIRE (S/P)
220	MAL166	VALV.QUEMADOR 270 UNIFICADA
221	MAL166	VALV.QUEMADOR JUMBO UNIFICADA
225	223C3826G001	TERMOSTATO MODULANTE
228	245B1238P002	TUERCA DE COMPRESION (S/P)
245	317B6617P041	INTERRUPTOR DE LUZ PLATA (S/P)
246	317B6617P042	INTERRUPTOR DE QUEMADOR PLATA (S/P)
250	183D9207P003	PERILLA PLATINUM (S/P)
252	183D9207P004	PERILLA PLATINUM (S/P)
270	183D9851P003S	FRENTE PERILLAS INOX C (S/P)

300	183D7359G003	ENS. QUEMADOR HORNO (S/P)
350	MAL900	TUBO ALIMENTADOR HORNO
351	245B1310P002	TUERCA PARA CAJA QUEMADORES (S/P)
380	183D9079P001	CABLE TOMACORRIENTE (S/P)
387	183D7111G016	ARNES MAESTRO (S/P)
390	MAB612	MODULO DE ENCENDIDO
392	183D8625P004	ARNES HV (S/P)
415	181D7673G001	MARCO CUBIERTA ENS. (S/P)
416	181D7674G002	COMPLEMENTO MARCO CUBIERTA (S/P)
460	181D7514P004CA	LATERAL HORNO CATALITICO IZQ. (S/P)
461	181D7514P003CA	LATERAL HORNO CATALITICO DER. (S/P)
480	181D8617G002PY	PISO HORNO PIROLITICO (S/P)
500	181D7663P001	LATERAL ESTUFA (S/P)
510	183D7064P009	MOLDURA VERTICAL IZQ (S/P)
511	183D7064P010	MOLDURA VERTICAL DER (S/P)
596	223C3676P001	SOPORTE PARRILLA HORNO (S/P)
600	181D7571P001	PARRILLA HORNO 30" (S/P)
615	205C1035P002	SOCKET (S/P)
620	245B1330P001	FOCO 40W, 127V. (S/P)
625	205C1672P001	CLIP TUBO CAPILAR (S/P)
650	181D8670P001PY	DEFLECTOR HORNO PIROLITICO (S/P)
694	164D3434P001	PATA NIVELADORA
700	223C3736G001	SELLO PUERTA DE HORNO ENS. (S/P)
710	183D7403G005PY	CONTRAPUERTA PIROLITICA ENS. (S/P)
725	221C3580G001NE	SEPARADOR INTERIOR CRISTAL (S/P)
730	221C3575P002	VIDRIO VENTANA HORNO (S/P)
740	223C3530G004	ENS. VIDRIO PUERTA (S/P)
750	223C4323P003	MOLDURA SUPERIOR PUERTA (S/P)
780	183D9205P001	JALADERA CURVA (S/P)
810	183D7447G001	BISAGRA PUERTA HORNO ENS. (S/P)
820	263B7040G002	CONTRA DE BISAGRA (S/P)
850	183D7535G006	FALDON ENSAMBLE (S/P)
887	263B7209P001	SEGURO FALDON INFERIOR (S/P)