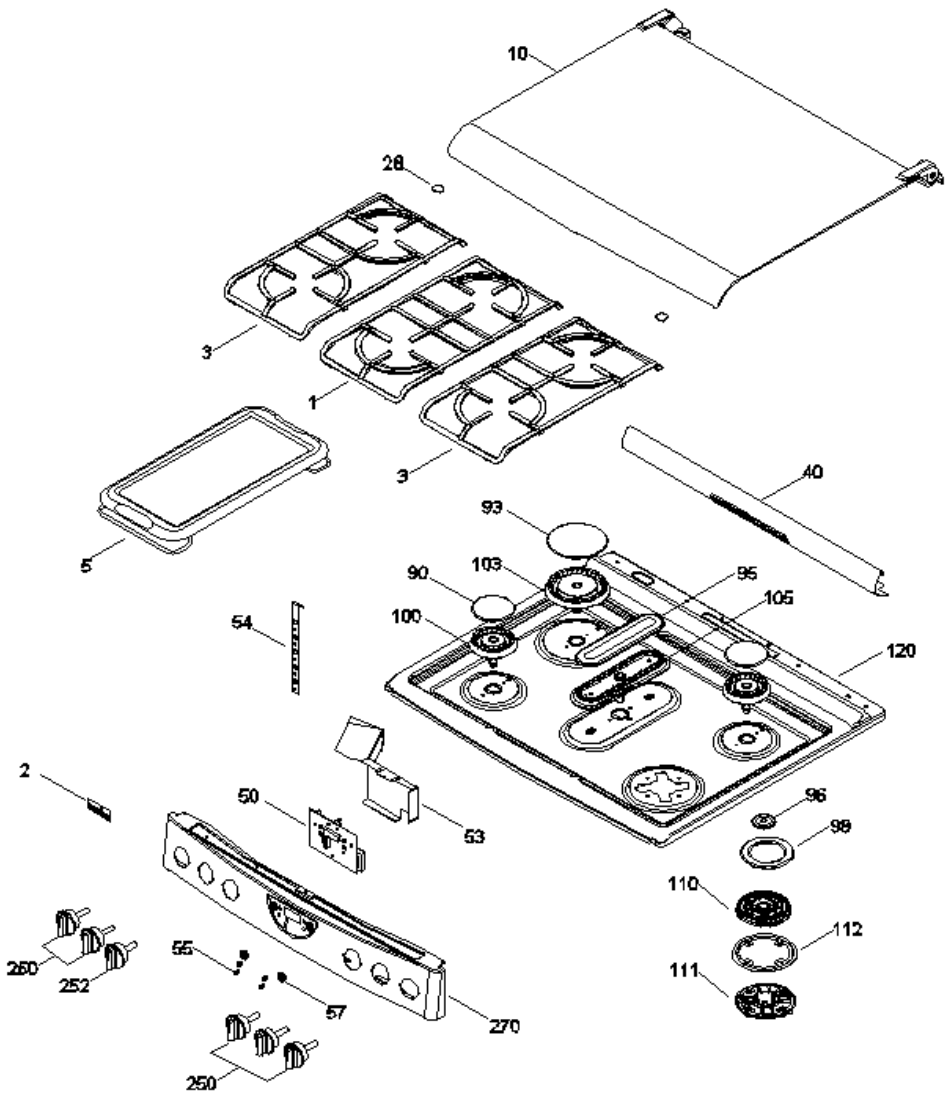
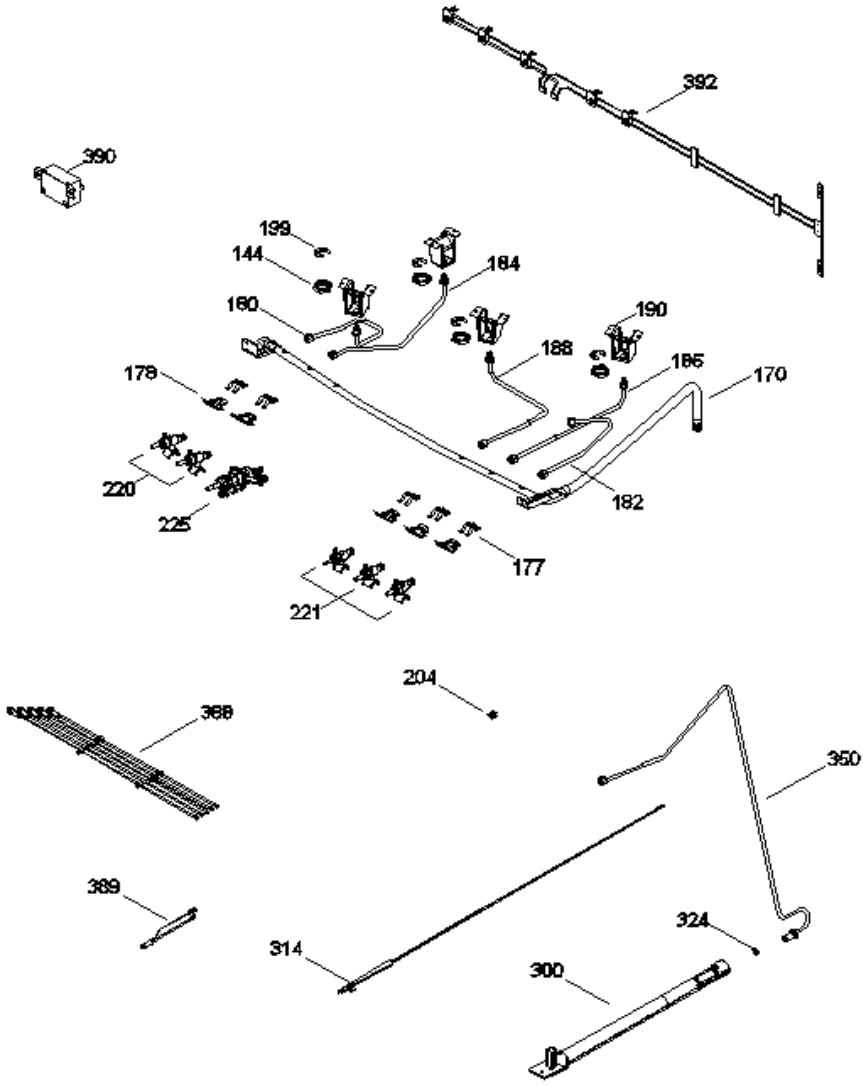


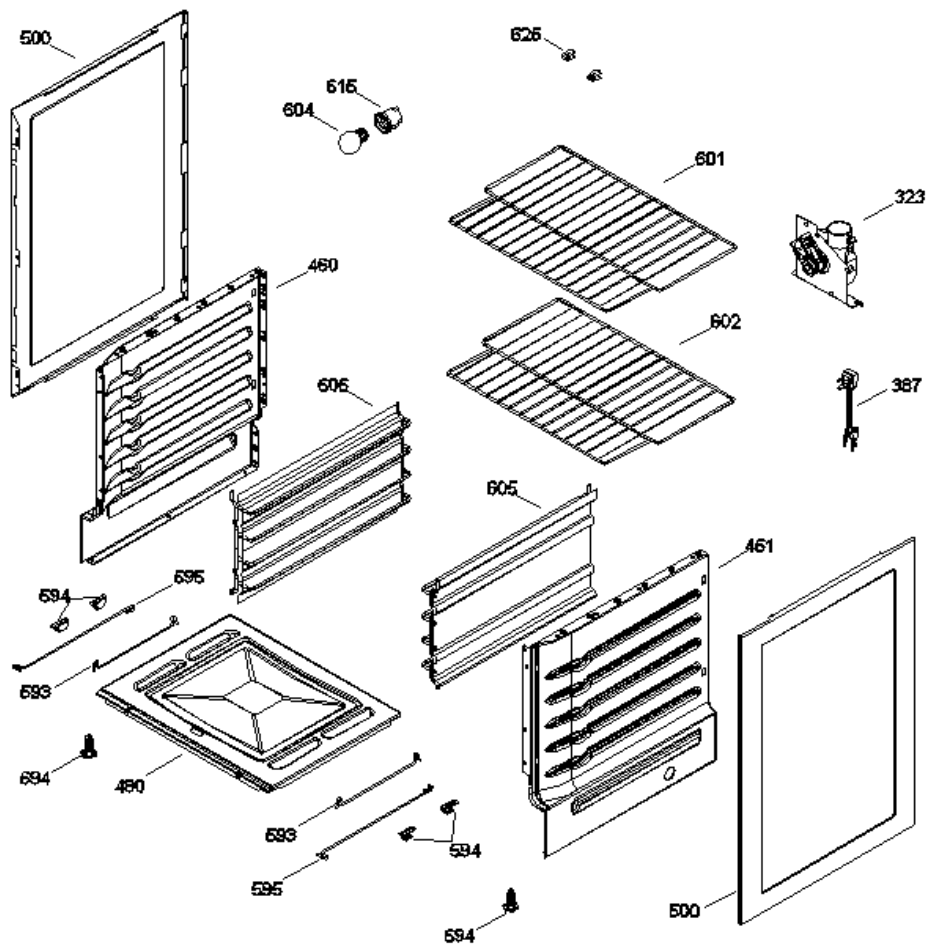
XO6500PX0A



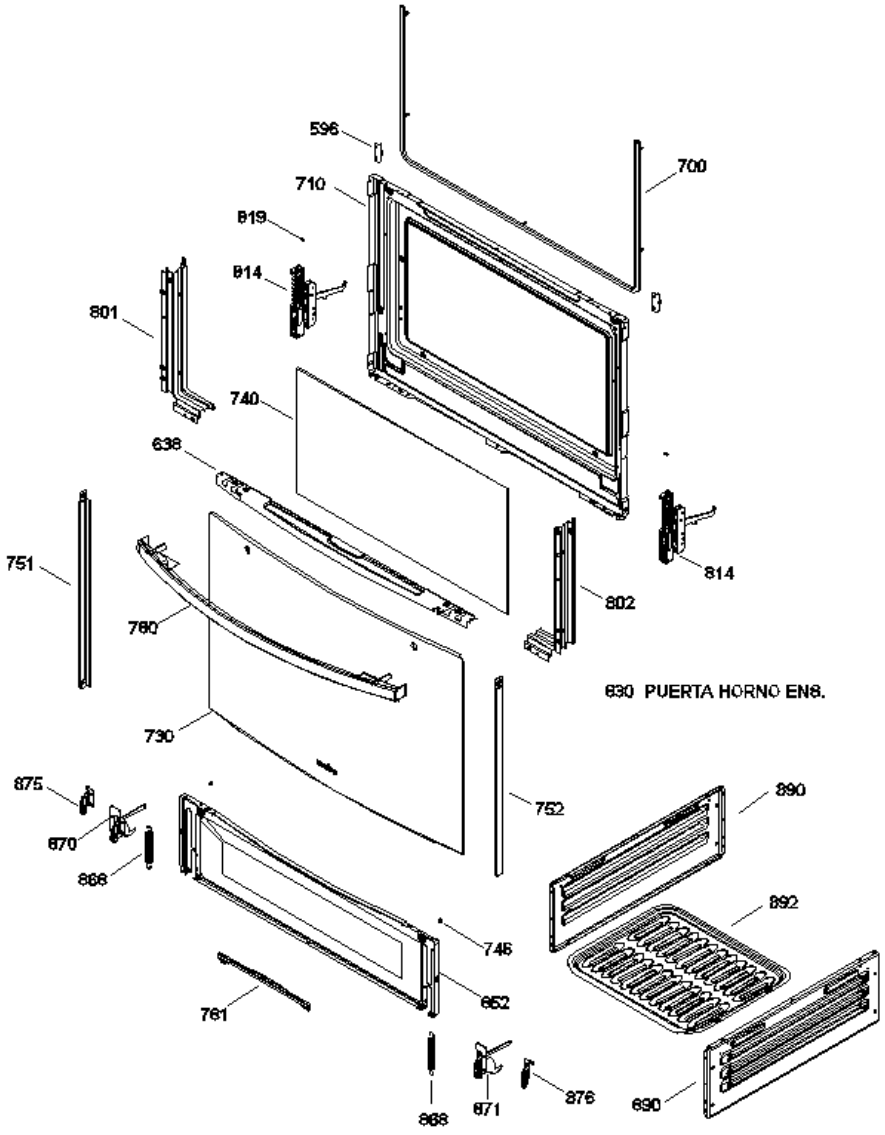
XO6500PX0A



XO6500PX0A



XO6500PX0A





XO6500PX0A

1	183D8370P001	PARILLA DE FUNDICION CENTRAL (S/P)
2	223C4439P001	PLACA LOGO MABE (S/P)
3	183D8370P002	PARILLA DE FUNDICION (S/P)
5	183D8775G001NE	COMAL TROQ. (NGO.) (S/P)
10	183D8585G001	CAPELO CURVO ENSAMBLE (S/P)
28	317B6750P001	AMORTIGUADOR CAPELO TRANSP. (S/P)
40	183D8391P007	MOLDURA CAPELO GRIS (S/P)
50	183D9487G007	CONTROL ELECTRONICO (S/P)
53	183D9323P001	TAPA RELOJ (S/P)
54	317B6995P001	SOPORTE RETEN (S/P)
55	317B6897P002	BOTON RELOJ (S/P)
57	317B6975P001	SEPARADOR RELOJ (S/P)
90	223C4381G002MA	TAPA QUEM MED ENS MATT (S/P)
93	223C4382G002MA	TAPA QUEM GDE ENS MATTE (S/P)
95	223C3604G004MA	TAPA QUEMADOR OVAL MATTE ENSAM (S/P)
96	317B6961P002	TAPA QUEMADOR INTERNA (S/P)
98	317B6962P002	TAPA QUEMADOR EXTERNA (S/P)
100	223C4383G002	QUEMADOR MEDIANO ENS. (S/P)
103	223C4384G002	QUEMADOR GRANDE ENS. (S/P)
105	223C4413G002	QUEMADOR CENTRAL ENS. (S/P)
110	183D8726P001	CUERPO QUEMADOR (S/P)
111	223C4260G001	BASE QUEMADOR ENSAMBLE (S/P)
112	223C4136P001	SELLO QUEMADOR DESCONTINUADO
120	183D8307P046	CUBIERTA SUPERIOR INOXIDABLE (S/P)
144	263B7194P001	TUERCA ECONOMICA (S/P)
170	183D8613G003	TUBO DE VALVULAS ENS. (S/P)
177	317B6883P001	BRACKET SUP. TUBO REDONDO (S/P)
178	317B6884P001	BRACKET INFERIOR TUBO REDONDO (S/P)
180	183D8933G006	TUBO FRONTAL IZQ (S/P)
182	183D8943G002	TUBO FRONTAL DER (S/P)
184	183D8933G007	TUBO POSTERIOR IZQ (S/P)
185	183D8933G005	TUBO POSTERIOR DER (S/P)
188	183D8933G008	TUBO QUEMADOR CENTRAL (S/P)

190	223C4267G001	OBTURADOR ENSAMBLE DESCONTINUADO
199	263B6380P002	CLIP BUJIA (S/P)
204	317B6895P001	SUJETADOR BUJIA (S/P)
220	223C4586P001	VALVULA QUEMADOR (S/P)
221	223C4586P002	VALVULA QUEMADOR (S/P)
225	223C4022P010	TERMOSTATO MOD. (S/P)
250	183D9522P001	PERILLA QUEMADOR (S/P)
252	183D9522P004	PERILLA HORNO (S/P)
270	183D9051P012	FRENTE DE PERILLAS (S/P)
300	183D8618G001	QUEM. DE HORNO ENS. (S/P)
314	221C3634P003	BUJIA DE ENCENDIDO HORNO (S/P)
323	183D9034P001	ENSAMBLE VENTILADOR (S/P)
324	317B6697P001	TUERCA TERMOPAR (S/P)
325	223C3684P005	TERMOPAR (S/P)
350	183D8025G003	TUBO ALIMENTACIÓN HORNO (S/P)
387	183D8401G001	ARNES PRINCIPAL DESCONTINUADO
388	183D9887G001	ARNES ALTO VOLTAJE (S/P)
389	317B7016P004	ARNES SENSOR (S/P)
390	221C3600P002	MODULO DE IGNICION (S/P)
392	183D8402G002	ARNES CAJA DE QUEM. (S/P)
460	183D8026P005CA	LATERAL HORNO CATALITICO IZQ (S/P)
461	183D8026P006CA	LATERAL HORNO CATALITICO DER (S/P)
480	183D8031P001PY	PISO DE HORNO PIROLITICO (S/P)
500	183D8430P008GR	LATERAL ESTUFA GRIS (S/P)
593	223C4076P001	GANCHO ARRASTRADOR DESCONTINUADO
594	223C3771P001	CORREDERA LATERAL (S/P)
595	223C3674P003	GANCHO ARRASTRADOR (S/P)
596	223C3676P001	SOPORTE PARRILLA HORNO (S/P)
601	183D8564G001	ENS. PARRILLA INF. DESLIZABLE (S/P)
602	183D8565G001	ENS. PARRILLA SUP. DESLIZABLE (S/P)
604	317B6997P003	LAMPARA DE HORNO (S/P)
605	183D8566P001	SOPORTE DER PARRILLA HORNO (S/P)
606	183D8566P002	SOPORTE IZQ PARRILLA HORNO (S/P)
615	205C1329P001	SOCKET (S/P)
625	205C1672P002	CLIP TUBO CAPILAR (S/P)
638	183D8608P005	MOLDURA SUPERIOR (S/P)
694	164D3434P001	PATA NIVELADORA (S/P)
700	223C4053G001	SELLO PUERTA HORNO (S/P)

710	183D8046P002PY	CONTRAPUERTA PIROLITICA (S/P)
730	183D8047P001	VIDRIO PUERTA (S/P)
740	183D8756G004	VIDRIO CURVO DE PUERTA HORNO (S/P)
746	245B1326P001	TOPE PUERTA ASADOR (S/P)
751	183D8604P013NE	MOLDURA LATERAL IZQ HORNO (S/P)
752	183D8604P016NE	MOLDURA LATERAL DER HORNO (S/P)
780	183D8388P003	JALADERA TOALLERO DESCONTINUADO
781	183D9197P004	JALADERA POCKET (S/P)
801	183D8979P001	SOPORTE CRISTAL INFERIOR IZQ DESCONTINUADO
802	183D8979P002	SOPORTE CRISTAL INFERIOR DER (S/P)
814	183D8743P001	BISAGRA PUERTA DE HORNO (S/P)
819	245B1466P001	SEGURO PERNO BISAGRA (S/P)
852	183D8281P001PY	CPTA CAJON ASADOR PIROLITICO (S/P)
868	263B7187P001	RESORTE BISAGRA ASADOR (S/P)
870	223C4362G001	BISAGRA ASADOR ENSAMBLE (S/P)
871	223C4362G002	BISAGRA ASADOR ENSAMBLE (S/P)
875	183D8796P001	SOPORTE BISAGRA (S/P)
876	183D8796P002	SOPORTE BISAGRA (S/P)
890	164D2458P001PY	LATERAL ASADOR PIROLITICO (S/P)
892	183D6216P003PY	TAPA ASADOR PIROLITICO (S/P)