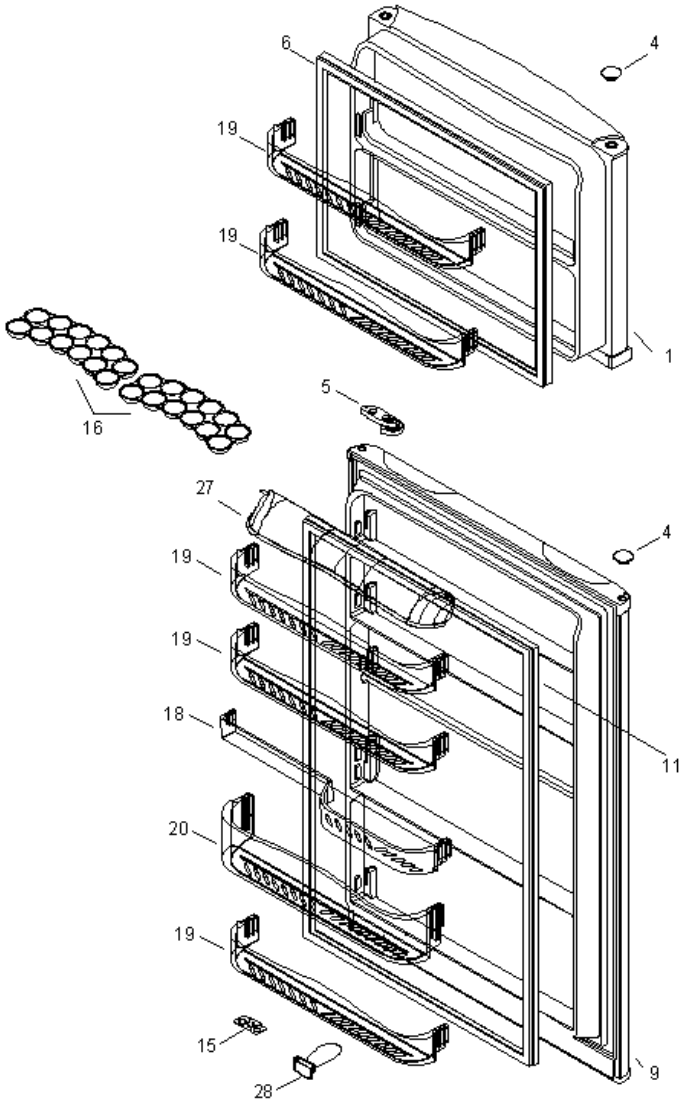
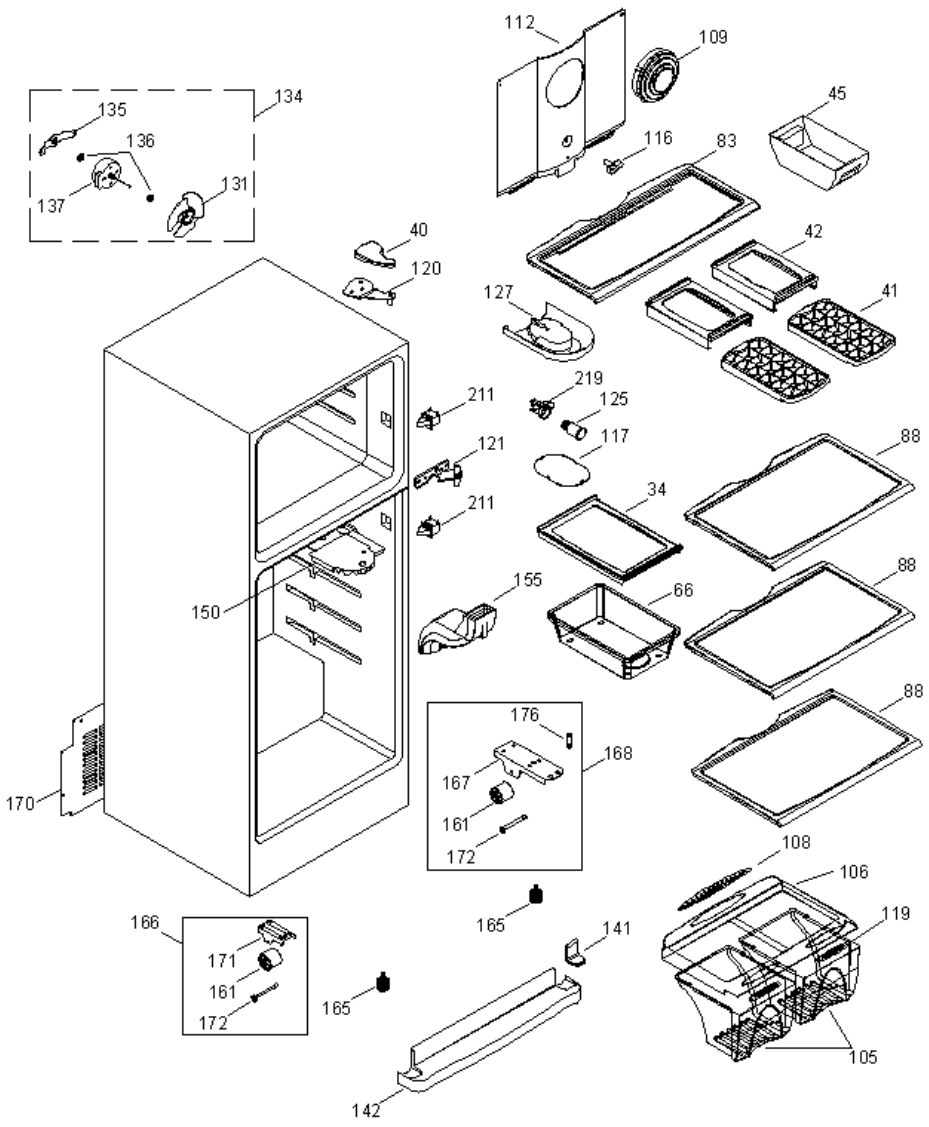


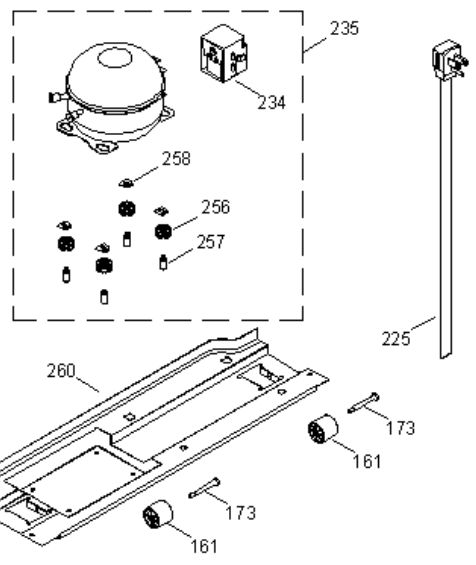
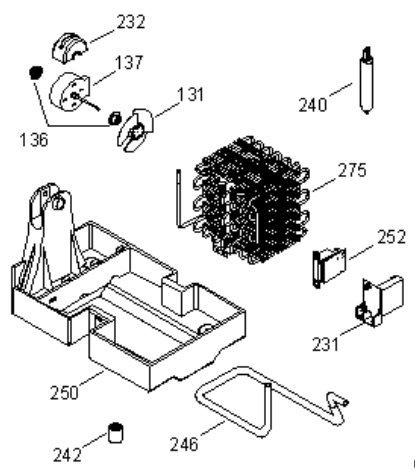
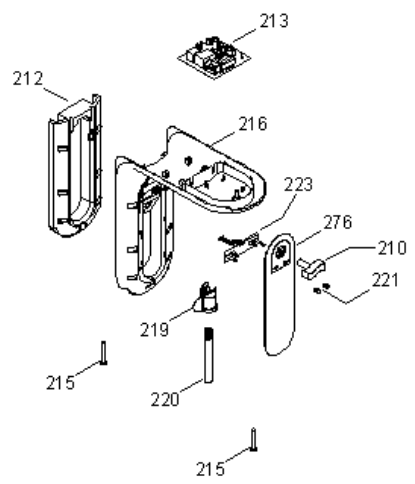
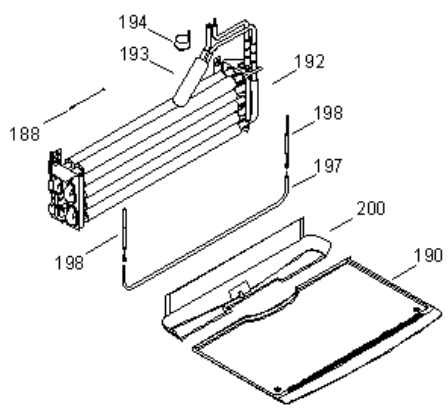
XO8700ZSS010



XO8700ZSS010



**XO8700ZSS010**





XO8700ZSS010

1	200D2686G005	PUERTA CURVA INOX CONG ENS (S/P)
4	238C1221P003	TAPON BUJE (GRIS) (S/P)
5	355B1499P003	TOPE PUERTA CONGELADOR (S/P)
6	200D3604P014	SELLO MAGNETICO CONG. NGO <b>DESCONTINUADO</b>
9	200D2683G005	PUERTA CURVA INOX REFRIG ENS (S/P)
11	200D3604P015	SELLO MAGNETICO (NGO) <b>DESCONTINUADO</b>
15	221C5251P002	TOPE PUERTA REFRIGERADOR (S/P)
16	238C1592P003	CHAROLA DE HUEVOS (S/P)
18	200D2315P001	ANAQUEL DOBLE PROFUNDIDAD (S/P)
19	200D2316P001	ANAQUEL ANGOSTO CONG/REFRIG. (S/P)
20	200D2317P001	ANAQUEL ANCHO ALTO (S/P)
27	200D3487P001	PUERTA MANTEQUILLERA <b>DESCONTINUADO</b>
28	238C1174P003	SEPARADOR BOTELLAS (S/P)
34	200D3320P001	SOPORTE CAJON CARNES (S/P)
40	200D1480P005	TAPA BISAGRA GRIS (S/P)
41	200D2953P003	CHAROLA CUBOS DE HIELO (S/P)
42	238C1599P001	SOPORTE CHAROLAS DE HIELOS (S/P)
45	186D1364P005	CAJON PARA HIELO (S/P)
66	200D2889P001	CAJON CARNES (S/P)
83	200D2379G001	PARRILLA DE CRISTAL CONG. ENS (S/P)
88	200D2377G001	PARRILLA DE CRISTAL REF. ENS. (S/P)
105	200D3319P001	CAJON LEGUMBRES (S/P)
106	200D2428G002	TAPA CAJON LEGUMBRES ENS. <b>DESCONTINUADO</b>
108	200D2796P004	INSERTO TAPA CAJON LEGUMBRES (S/P)
109	200D3473P004	DIFUSOR CONGELADOR (S/P)
112	200D3137G002	CUBIERTA EVAPORADOR ENS. (S/P)
116	238C1183P004	PERILLA REGULADOR DE AIRE (S/P)
117	238C1184P001	PROTECTOR LAMPARA CONG. (S/P)
119	200D2681P001	CONTROL DE HUMEDAD <b>DESCONTINUADO</b>
120	200D3930G003	BISAGRA SUPERIOR (S/P)
121	355B1531G006	BISAGRA INTERMEDIA <b>DESCONTINUADO</b>
125	238C1490P001	FOCO CONGELADOR 15 WT (S/P)
127	200D1422P001	SOPORTE LAMPARA CONGELADOR (S/P)

131	197D3131G002	ASPA VENTILADOR Y ANILLO ENS. (S/P)
134	355B1403G001	VENTILADOR COND. ENS. (S/P)
135	238C1189P001	SOPORTE MOTOR VENTILADOR (S/P)
136	221C5143P001	EMPAQUE MOTOR VENTILADOR (S/P)
137	200D2126P001	MOTOR VENT EVAP (110V) (S/P)
141	355B1456P003	TAPA FALDON NEGRA (S/P)
142	200D3093P003	FALDON CURVO NGO. <b>DESCONTINUADO</b>
150	238C1839P001	AISLANTE ELECTRICO (S/P)
155	200D3615G001	DUCTO ESPUMA ENSAMBLE
161	238C1208P001	RUEDA REFRIGERADOR (S/P)
165	314B8640P003	TORNILLO NIVELADOR (NGO) (S/P)
166	200D3263G003	SOPORTE RUEDA ENSAMBLE (S/P)
167	238C1165P005	SOPORTE RUEDAS C/BIS.INF. (S/P)
168	200D3283G003	BISAGRA INF. ENSAMBLE (S/P)
170	200D2305P001	TAPA COMPRESOR (S/P)
171	238C1164P005	SOPORTE RUEDA (S/P)
172	238C1826P001	EJE RUEDA DELANTERA (S/P)
173	238C1826P002	EJE RUEDA TRASERA (S/P)
176	238C1211P001	PERNO DE BISAGRA INFERIOR (S/P)
188	238C2526P001	TERMISTOR SENSOR DE DESHIELO (S/P)
190	200D3332P001	PISO CONGELADOR (S/P)
192	200D2295G001	EVAPORADOR ESTRIADO ENS. (S/P)
193	221C8290P003	ACUMULADOR <b>DESCONTINUADO</b>
194	238C1015P001	TERMOSTATO DE DESHIELO (S/P)
197	MAR835	RESISTENCIA DE DESHIELO (127V)
198	314B8215G001	ARNES FUSIBLE ENS. (S/P)
200	200D2302P001	CHAROLA DE DESHIELO (S/P)
210	238C1191P003	PERILLA CONTROL DE TEMPERATURA (S/P)
211	314B8274P001	INTERRUPTOR FOCO (S/P)
212	238C1582P001	DUCTO CAJA CONTROL (S/P)
213	MAR783	TARJETA ELECTRONICA
215	314B8355P001	TORNILLO 8-19 HI/LO (S/P)
216	200D2501P001	CAJA CONTROL DE TEMPERATURA (S/P)
219	238C1700G001	SOCKET Y TERM ENS (S/P)
220	238C1464P001	FOCO (40W) (S/P)
221	238C1186P001	BOTON CONTROL (S/P)
223	238C1848P002	DISPLAY <b>DESCONTINUADO</b>
225	200D1524G001	ARNES TOMACORRIENTE (S/P)

231	355B1407P001	PROTECTOR FUENTE DE PODER <b>DESCONTINUADO</b>
232	355B1391P001	CLIP MOTOR CONDENSADOR <b>(S/P)</b>
234	355B1492P002	RELEVADOR Y PROTECTOR ENS. <b>(S/P)</b>
235	20601114199	COMPRESOR CBZN142L7 115-127/60 <b>(S/P)</b>
240	221C5100P002	FILTRO DESHIDRATADOR <b>(S/P)</b>
242	355B1473P001	VALVULA TUBO DREN <b>(S/P)</b>
246	238C1628G001	TUBO AUXILIAR ENS. <b>(S/P)</b>
250	200D1498P001	CHAROLA EVAPORACION <b>(S/P)</b>
252	MAR765	FUENTE DE PODER 120V
256	203C5262P001	AMORTIGUADOR <b>(S/P)</b>
257	243B2396P001	BUJE COMPRESOR <b>(S/P)</b>
258	871516P006	SEGURO DE SUJECION COMPRESOR <b>(S/P)</b>
260	200D2303P001	SOPORTE COMPRESOR <b>(S/P)</b>
275	9001840	CONDENSADOR ENS. <b>(S/P)</b>
276	200D3639P004	PROTECTOR PANTALLA <b>(S/P)</b>