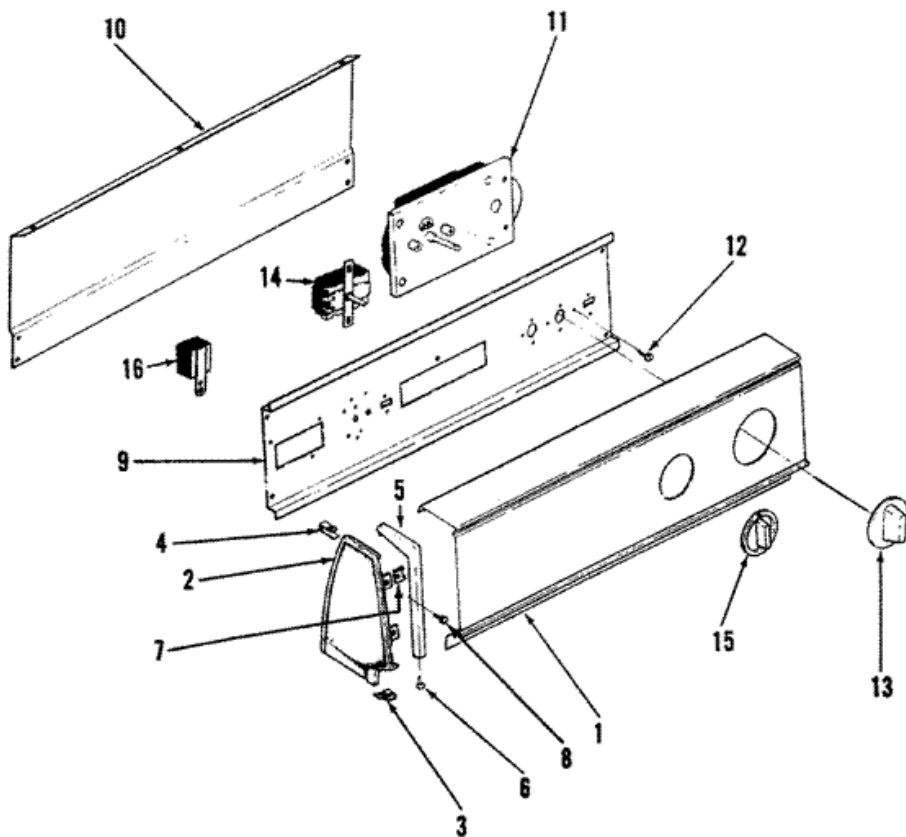


Distribuidor Autorizado

SurteRápido.com

Venta de Refacciones
Electrodomesticas

YG20HA3 TABLERO





YG20HA3 TABLERO

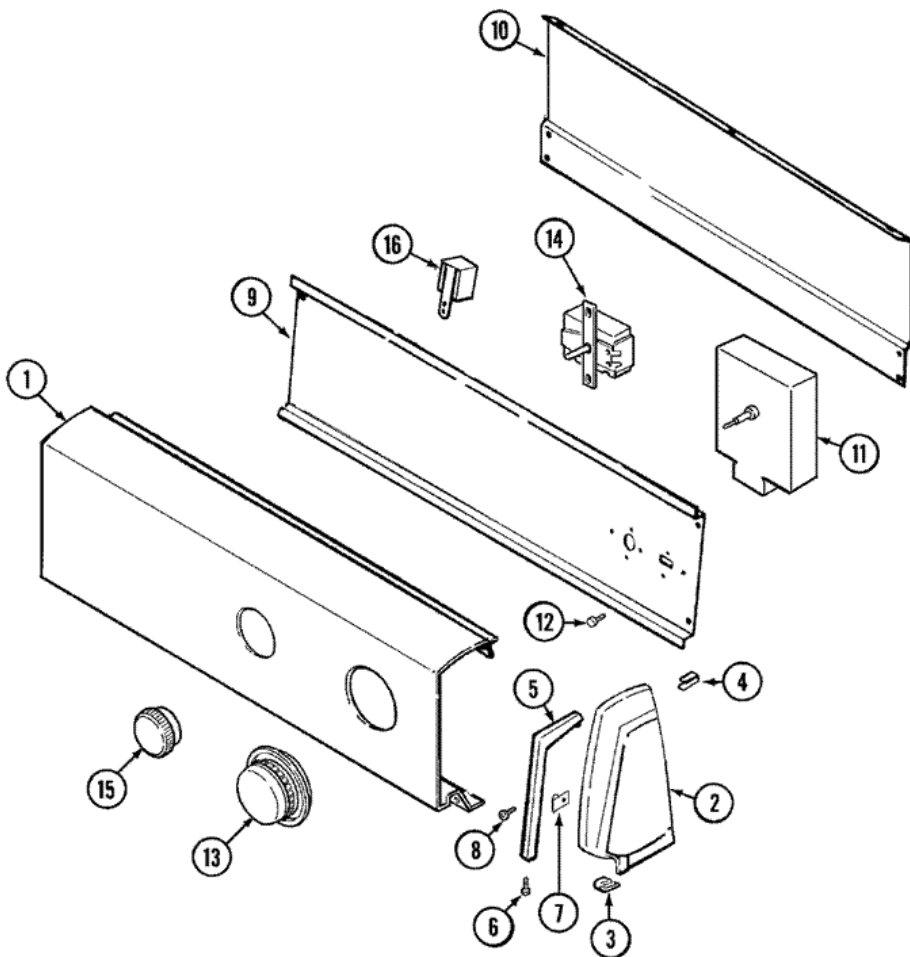
| | | |
|----|----------|---|
| 1 | 53-1276 | CONTROL PANEL DESCONTINUADO |
| 2 | 21001452 | CAP, END (LT) (S/P) |
| 2 | 53-0264 | RH ENDCAP DESCONTINUADO |
| 2 | 53-0265 | LH ENDCAP DESCONTINUADO |
| 2 | 25-7851 | SPEEDCLIP, END CAP TO TOP (S/P) |
| 2 | 25-7649 | SCREW (S/P) |
| 2 | 25-7702 | SPEEDCLIP, END CAP TO CTRL PNL (S/P) |
| 2 | 21001451 | CAP, END (RT) (S/P) |
| 2 | 25-7697 | SCREW (S/P) |
| 3 | 25-7851 | SPEEDCLIP, END CAP TO TOP (S/P) |
| 3 | 25-7697 | SCREW (S/P) |
| 4 | 25-7852 | SPEEDCLIP,RR SHLD TO END CAP DESCONTINUADO |
| 4 | 25-7435 | SCREW (S/P) |
| 5 | 53-0277 | TRIM, END CAP (RT) DESCONTINUADO |
| 5 | 53-0278 | TRIM, END CAP (LT) DESCONTINUADO |
| 6 | 25-7760 | SCREW (S/P) |
| 7 | 25-7702 | SPEEDCLIP, END CAP TO CTRL PNL (S/P) |
| 8 | 25-3092 | SCREW (S/P) |
| 9 | 53-1676 | SHIELD, CONTROL DESCONTINUADO |
| 10 | 21001460 | SHIELD, CONTROL PANEL (REAR) DESCONTINUADO |
| 11 | 63-6752 | TIMER MOTOR DESCONTINUADO |
| 11 | 53-1303 | TIMER (S/P) |
| 12 | 25-0205 | SCREW (S/P) |
| 13 | 31001219 | TIMER KNOB & SKIRT ASSY |
| 14 | 53-0344 | SWITCH, TEMPERATURE (S/P) |
| 14 | 25-3092 | SCREW (S/P) |
| 15 | 35-2185 | KNOB, SELECTOR (BLK) (S/P) |
| 16 | 63-6731 | BUZZER (S/P) |
| 16 | 25-3092 | SCREW (S/P) |

Distribuidor Autorizado

SurteRápido.com

Venta de Refacciones
Electrodomesticas

YG20HA3 TABLERO (REV J/10)





YG20HA3 TABLERO (REV J/10)

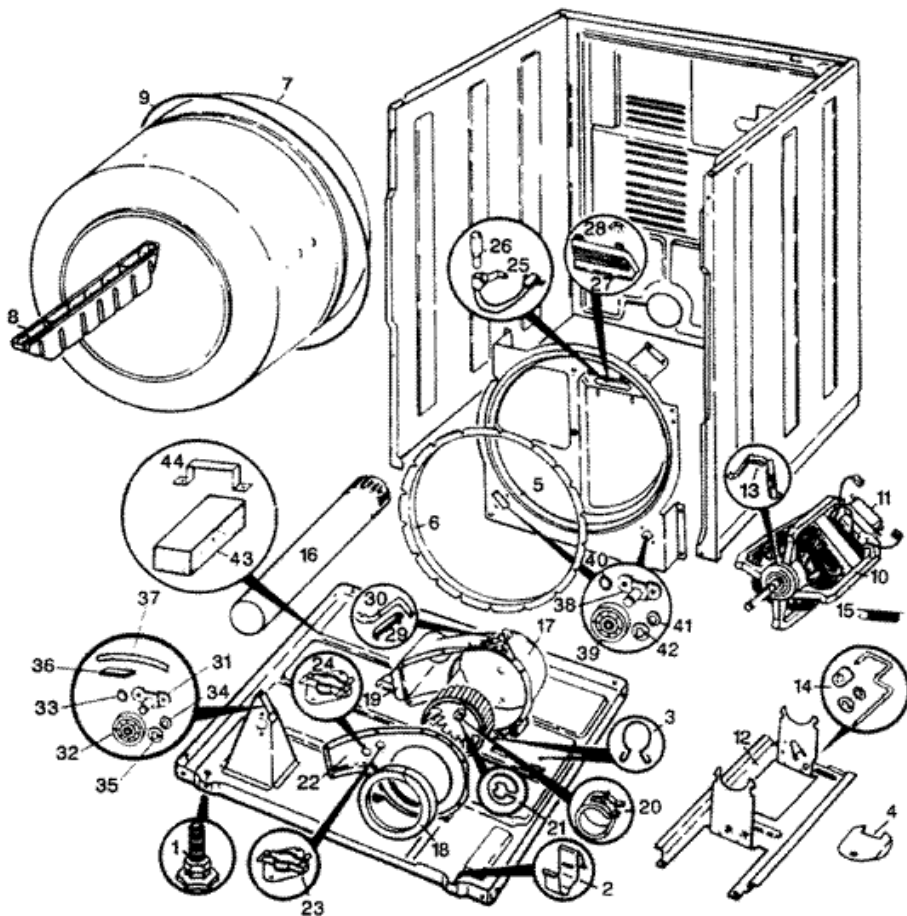
| | | |
|----|----------|---|
| 1 | 53-1820 | CONTROL PANEL DESCONTINUADO |
| 2 | 25-7702 | SPEEDCLIP, END CAP TO CTRL PNL (S/P) |
| 2 | 25-7851 | SPEEDCLIP, END CAP TO TOP (S/P) |
| 2 | 25-7697 | SCREW (S/P) |
| 2 | 21001452 | CAP, END (LT) (S/P) |
| 2 | 21001451 | CAP, END (RT) (S/P) |
| 2 | 25-7649 | SCREW (S/P) |
| 3 | 25-7851 | SPEEDCLIP, END CAP TO TOP (S/P) |
| 3 | 25-7697 | SCREW (S/P) |
| 4 | 25-7852 | SPEEDCLIP,RR SHLD TO END CAP DESCONTINUADO |
| 4 | 25-7435 | SCREW (S/P) |
| 5 | 53-0278 | TRIM, END CAP (LT) DESCONTINUADO |
| 5 | 53-0277 | TRIM, END CAP (RT) DESCONTINUADO |
| 6 | 25-7760 | SCREW (S/P) |
| 7 | 25-7702 | SPEEDCLIP, END CAP TO CTRL PNL (S/P) |
| 8 | 25-3092 | SCREW (S/P) |
| 9 | 21001303 | SHIELD, CONTROL DESCONTINUADO |
| 9 | 31001193 | PAD, CONTROL PANEL SUPPORT DESCONTINUADO |
| 9 | 53-1676 | SHIELD, CONTROL DESCONTINUADO |
| 10 | 21001460 | SHIELD, CONTROL PANEL (REAR) DESCONTINUADO |
| 11 | 53-1758 | TIMER |
| 12 | 25-7435 | SCREW (S/P) |
| 13 | 31001219 | TIMER KNOB & SKIRT ASSY |
| 14 | 53-0344 | SWITCH, TEMPERATURE (S/P) |
| 14 | 31001129 | SWITCH, TEMPERATURE (S/P) |
| 14 | 25-3092 | SCREW (S/P) |
| 15 | 21001283 | KNOB, SELECTOR (BLK) (S/P) |
| 16 | 53-1639 | BUZZER ASSY. (S/P) |
| 16 | 25-3092 | SCREW (S/P) |

Distribuidor Autorizado

SurteRápido.com

Venta de Refacciones
Electrodomesticas

YG20HA3 GABINETE





YG20HA3 GABINETE

| | | |
|----|----------|-------------------------------------|
| 1 | 63-5519 | LEG, LEVELING |
| 2 | 53-0120 | CLIP, FRONT PANEL |
| 3 | 16515 | CLIP, WIRING (S/P) |
| 4 | 53-0153 | SHIELD, WIRING (S/P) |
| 4 | 25-7741 | SCREW (S/P) |
| 5 | LA-1054 | BULKHEAD W/CYLINDER LIGHT WHT (S/P) |
| 5 | 25-7733 | SCREW (S/P) |
| 6 | 31001637 | SEAL ASSY (GRAY) (S/P) |
| 7 | 53-1512 | BELT, DRIVE DESCONTINUADO |
| 7 | 53-1250 | CYLINDER (W/BAFFLE) (S/P) |
| 8 | 25-7759 | SCREW (S/P) |
| 8 | 53-1249 | BAFFLE (WHT) |
| 9 | LA1004 | MOTOR MTG. KIT (DRYER) |
| 9 | 341241 | CYLINDER BELT |
| 10 | LA1004 | MOTOR/PULLY ASM |
| 11 | LA1004 | MOTOR |
| 12 | 25-7811 | SCREW DESCONTINUADO |
| 12 | 53-0852 | MOTOR BRACKET DESCONTINUADO |
| 13 | 53-0214 | CLAMP, MOTOR (S/P) |
| 13 | 25-7674 | SCREW (S/P) |
| 14 | 53-2366 | IDLER ARM (S/P) |
| 14 | LA-1056 | IDLER ASSY DESCONTINUADO |
| 15 | 53-1029 | IDLER SPRING DESCONTINUADO |
| 15 | 53-1648 | IDLER SPRING DESCONTINUADO |
| 16 | 53-0134 | DUCT, EXHAUST (S/P) |
| 16 | 25-2134 | SCREW (S/P) |
| 17 | 53-0774 | BLOWER HOUSING DESCONTINUADO |
| 18 | 12001324 | SEAL, BLOWER HOUSING |
| 18 | LA-1051 | COVER & SEAL DESCONTINUADO |
| 19 | 53-0106 | BLOWER WHEEL |
| 20 | 312967 | CLAMP |
| 21 | 25-7855 | RING, RETAINING (S/P) |
| 22 | 53-1024 | BLOWER COVER DESCONTINUADO |

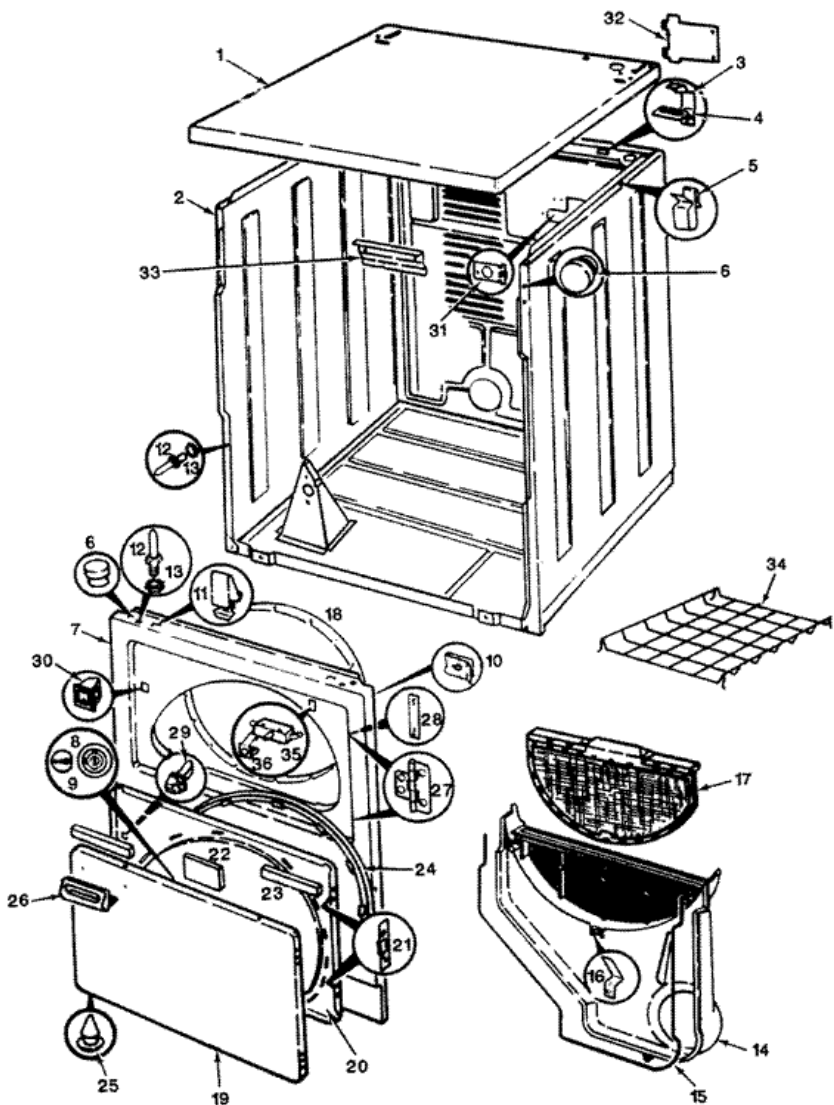
| | | |
|----|----------|---|
| 22 | 25-7807 | SCREW (S/P) |
| 22 | 53-1026 | GUIDE, VANE INLET (S/P) |
| 22 | 25-2134 | SCREW (S/P) |
| 23 | 53-1107 | THERMOSTAT, CONTROL (146/121) (S/P) |
| 24 | 53-0170 | THERMOSTAT, LO-LIMIT (120/110) DESCONTINUADO |
| 24 | 25-2134 | SCREW (S/P) |
| 25 | 53-1580 | LAMP SOCKET (S/P) |
| 26 | 25-3457 | SCREW, SEMS (S/P) |
| 26 | 53-0570 | CYL LIGHT BULB (S/P) |
| 27 | 53-0174 | LENS, BULB (S/P) |
| 28 | LA-1006 | GLIDE KIT, TUMBLER (S/P) |
| 28 | 3195558 | CLIP, PUSH-ON (S/P) |
| 29 | 31001356 | RH GLD CUSHION (S/P) |
| 30 | 31001469 | RH CYL GLIDE (S/P) |
| 36 | 53-0723 | LH GLIDE CUSHION (S/P) |
| 37 | 31001470 | LH CYL GLIDE |
| 37 | 12002126 | FRONT ROLLER KIT |
| 37 | LA1008 | RR ROLLER KIT |
| 38 | 53-0197 | SUPPORT ASSY.-CYLINDER REAR |
| 38 | 25-7101 | SCREW (S/P) |
| 39 | 31001096 | CYL ROLLER |
| 40 | 25-7813 | SPACER (S/P) |
| 41 | 25-7814 | WASHER (S/P) |
| 42 | 25-7854 | RING, RETAINING |

Distribuidor Autorizado

SurteRápido.com

Venta de Refacciones
Electrodomesticas

YG20HA3 GABINETE





YG20HA3 GABINETE

| | | |
|----|------------|---|
| 1 | 53-2435-24 | TOP, CABINET (ALM) DESCONTINUADO |
| 2 | 31001715 | CABINET ASM DESCONTINUADO |
| 3 | 63-5712 | HINGE, CABINET TOP (S/P) |
| 4 | 33-0930 | PAD, TOP HINGE DESCONTINUADO |
| 4 | 25-3092 | SCREW (S/P) |
| 5 | 25-3034 | CLIP, WIRING (S/P) |
| 6 | 33-2653 | BUMPER, CABINET (S/P) |
| 7 | 12001211 | PANEL, FRONT (ALM)GAS DESCONTINUADO |
| 8 | 53-0161 | PLUG, GAS ACCESS (ALM) DESCONTINUADO |
| 9 | 53-0162 | BUTTON, GAS ACCESS (ALM) DESCONTINUADO |
| 10 | 25-7817 | CLIP, U-TYPE DESCONTINUADO |
| 10 | 25-7820 | SCREW, FRONT PANEL TO CABINET (S/P) |
| 11 | 25-7220 | CLIP, CABINET TOP (S/P) |
| 12 | 53-0643 | PIN, LOCATOR (S/P) |
| 13 | 53-0200 | SLEEVE, LOCATOR PIN (S/P) |
| 13 | 25-0224 | NUT, LOCATOR PIN (S/P) |
| 14 | 25-7810 | SCREW 8-18X1/2 TRUSS H (S/P) |
| 14 | 12001324 | COLLECTOR DUCT |
| 15 | 53-0204 | SEAL (S/P) |
| 15 | 53-1298 | SEAL DESCONTINUADO |
| 16 | 53-0123 | CLIP DESCONTINUADO |
| 17 | 53-0918 | FILTER, LINT |
| 18 | 31001637 | SEAL ASSY (GRAY) (S/P) |
| 19 | 53-0154-24 | PANEL, OUTER DOOR (ALM) DESCONTINUADO |
| 20 | LA-1024 | INNER PANEL DESCONTINUADO |
| 21 | 53-0119 | CLIP, HINGE (S/P) |
| 22 | 53-1490 | PAD, DOOR (S/P) |
| 23 | 53-1491 | PAD, DOOR (S/P) |
| 24 | 31001529 | DOOR SEAL |
| 24 | 25-7770 | SCREW, OUTER TO INNER DOOR (S/P) |
| 25 | 25-7889 | PLUG BUTTON, DOOR (S/P) |
| 26 | 25-7810 | SCREW 8-18X1/2 TRUSS H (S/P) |
| 26 | 53-0927 | HANDLE, DOOR (CHR) (S/P) |

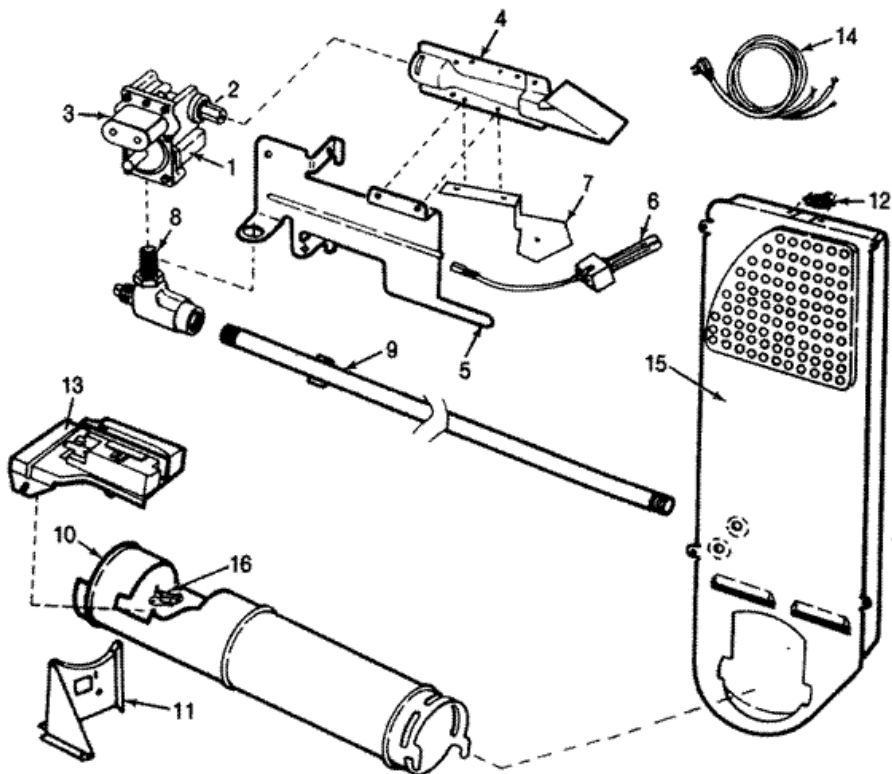
| | | |
|----|----------|--|
| 27 | 25-7809 | SCREW, No.6-20 1/2 FLTHD TORX (S/P) |
| 27 | 53-1492 | HINGE, DOOR (S/P) |
| 28 | 279570 | DOOR CATCH KIT (INCL. 21 & 22) |
| 28 | 53-0121 | TWIN NUT DESCONTINUADO |
| 29 | 279570 | STRIKE, DOOR |
| 30 | 279570 | CATCH, DOOR |
| 31 | 53-0135 | SUPPORT, POWER CORD (S/P) |
| 31 | 25-7828 | SCREW, No.10 TORQ LIMITING (S/P) |
| 32 | 53-0284 | COVER, TERMINAL (S/P) |
| 32 | 25-7857 | SCREW (S/P) |
| 33 | 53-0133 | SHIELD, HEAT DESCONTINUADO |
| 33 | 25-3457 | SCREW, SEMS (S/P) |
| 34 | 16600 | SWITCH KIT (INCL. 23 & 24) (S/P) |
| 35 | 53-0148 | SWITCH, DOOR (S/P) |
| 36 | 31001319 | CLIP, SWITCH (S/P) |

Distribuidor Autorizado

SurteRápido.com

Venta de Refacciones
Electrodomesticas

YG20HA3 QUEMADOR





YG20HA3 QUEMADOR

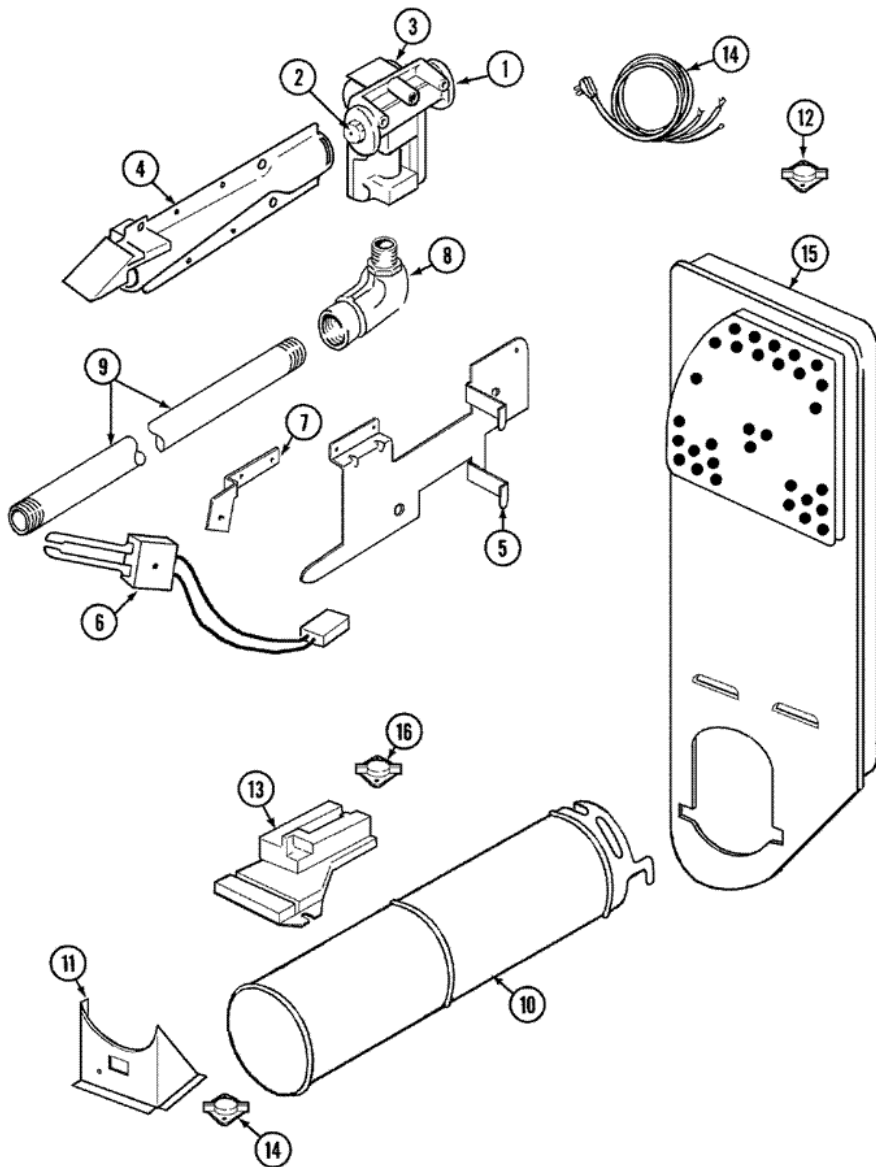
| | | |
|----|----------|--------------------------------------|
| 1 | 63-6786N | GAS CONTROL VALVE (S/P) |
| 2 | 63-3570 | BURNER ORIFICE |
| 3 | 279834 | DUAL COIL |
| 4 | 63-6682 | BURNER ASM |
| 5 | 25-7741 | SCREW (S/P) |
| 5 | 53-0140 | MTG BRACKET (S/P) |
| 6 | 31001556 | IGNITER |
| 7 | 25-3034 | CLIP, WIRING (S/P) |
| 7 | 53-0686 | BRACKET DESCONTINUADO |
| 7 | 25-2134 | SCREW (S/P) |
| 7 | 25-7744 | SCREW (S/P) |
| 8 | 31001042 | SHUTOFF VALVE (S/P) |
| 9 | 31001777 | GAS PIPE DESCONTINUADO |
| 10 | 53-1884 | HOUSING, HEATER DESCONTINUADO |
| 11 | 25-3092 | SCREW (S/P) |
| 11 | 53-0139 | HEATER SUPPORT (S/P) |
| 11 | 25-7741 | SCREW (S/P) |
| 12 | 25-0168 | SCREW (S/P) |
| 12 | LA1053 | HI LMT TSTAT |
| 13 | 25-2134 | SCREW (S/P) |
| 13 | 308906 | SENSOR |
| 14 | 31001547 | CORD, POWER (S/P) |
| 15 | 53-0169 | INLET AIR DUCT DESCONTINUADO |
| 16 | LA1053 | THERMOSTAT, HI-LIMIT |
| 16 | LA1053 | FUSE KIT, THERMAL |
| 16 | 63-6766 | CONVERSION KIT (NAT-LP) |
| 16 | 25-3032 | WIRING CLIP DESCONTINUADO |

Distribuidor Autorizado

SurteRápido.com

Venta de Refacciones
Electrodomesticas

YG20HA3 QUEMADOR (REV J/10)





YG20HA3 QUEMADOR (REV J/10)

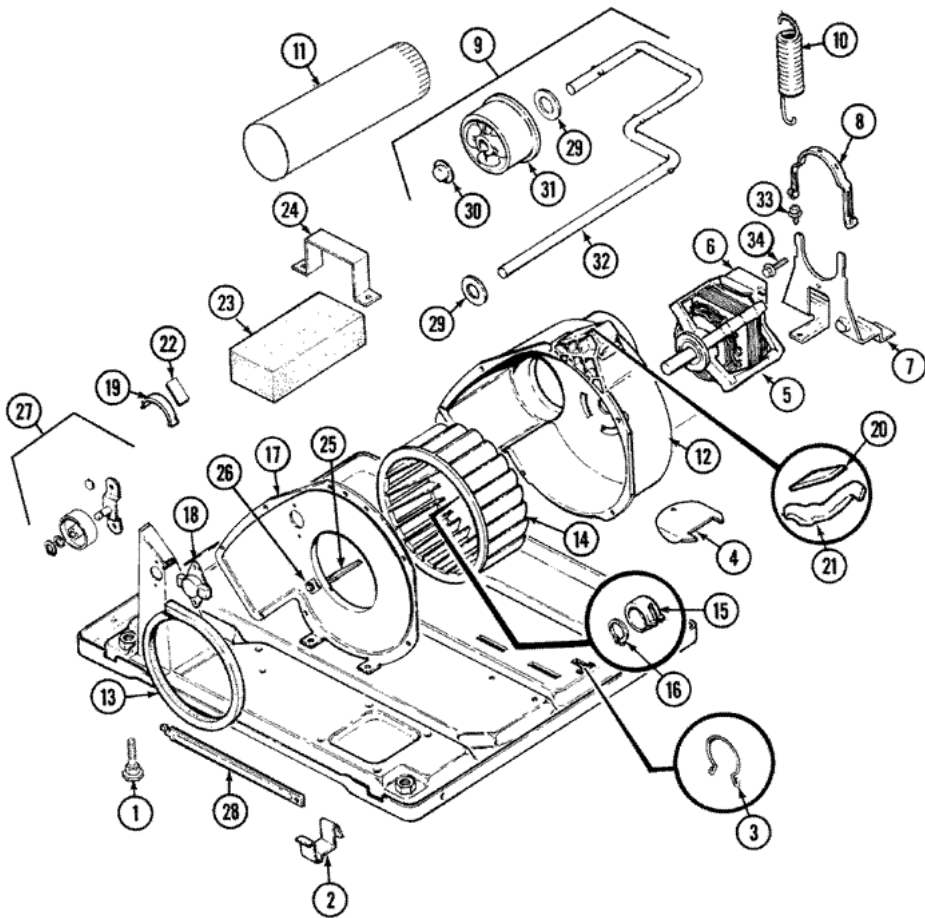
| | | |
|----|----------|--|
| 1 | 63-6786N | GAS CONTROL VALVE DESCONTINUADO |
| 2 | 63-3570 | BURNER ORIFICE |
| 3 | 279834 | DUAL COIL |
| 3 | 279834 | SECONDARY COIL |
| 4 | 63-6682 | BURNER ASM |
| 5 | 25-7741 | SCREW (S/P) |
| 5 | 53-0140 | MTG BRACKET (S/P) |
| 6 | 31001556 | IGNITER |
| 7 | 25-3034 | CLIP, WIRING (S/P) |
| 7 | 53-0686 | BRACKET DESCONTINUADO |
| 7 | 25-2134 | SCREW (S/P) |
| 7 | 25-7744 | SCREW (S/P) |
| 8 | 31001042 | SHUTOFF VALVE (S/P) |
| 9 | 31001777 | GAS PIPE DESCONTINUADO |
| 10 | 53-1884 | HOUSING, HEATER DESCONTINUADO |
| 10 | 25-3032 | WIRING CLIP DESCONTINUADO |
| 11 | 25-3092 | SCREW (S/P) |
| 11 | 53-0139 | HEATER SUPPORT (S/P) |
| 11 | 25-7741 | SCREW (S/P) |
| 12 | 25-0168 | SCREW (S/P) |
| 12 | LA1053 | HI LMT TSTAT |
| 13 | 25-7741 | SCREW (S/P) |
| 13 | 25-2134 | SCREW (S/P) |
| 13 | 338906 | SENSOR |
| 14 | 31001547 | CORD, POWER (S/P) |
| 15 | 53-0169 | INLET AIR DUCT DESCONTINUADO |
| 16 | 12001031 | CONVERSION KIT (LP-NAT) (S/P) |
| 16 | LA1053 | THERMOSTAT, HI-LIMIT |
| 16 | LA1053 | FUSE KIT, THERMAL |

Distribuidor Autorizado

SurteRápido.com

Venta de Refacciones
Electrodomesticas

YG20HA3 MOTOR (REV J/10)



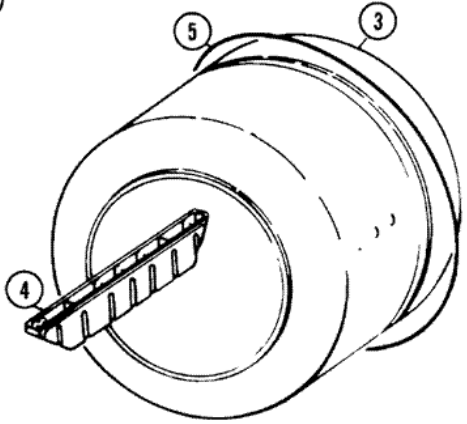
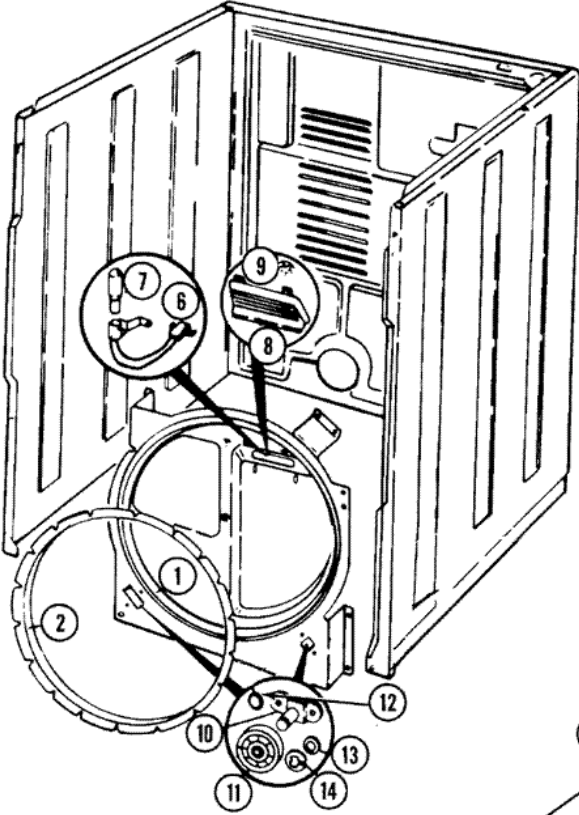


YG20HA3 MOTOR (REV J/10)

| | | |
|----|-----------|---|
| 1 | 63-5519 | LEG, LEVELING |
| 2 | 53-0120 | CLIP, FRONT PANEL |
| 3 | 16515 | CLIP, WIRING (S/P) |
| 4 | 25-7741 | SCREW (S/P) |
| 5 | W10410996 | MOTOR & PULLEY ASSY (115V, 60HZ (S/P) |
| 6 | 53-0332 | SWITCH, MOTOR (S/P) |
| 7 | 25-7811 | SCREW DESCONTINUADO |
| 7 | 31001570 | MOTOR MTG. BRKT. (S/P) |
| 8 | 53-0214 | CLAMP, MOTOR (S/P) |
| 9 | 53-2287 | IDLER ASSY. (S/P) |
| 10 | 31001465 | SPRING, IDLER (S/P) |
| 11 | 25-2134 | SCREW (S/P) |
| 11 | 53-0134 | DUCT, EXHAUST (S/P) |
| 12 | 53-1801 | HOUSING, BLOWER (S/P) |
| 13 | 12001324 | SEAL, BLOWER HOUSING |
| 14 | 53-0106 | BLOWER WHEEL (S/P) |
| 15 | 312967 | CLAMP |
| 16 | 25-7855 | RING, RETAINING (S/P) |
| 17 | 25-7807 | SCREW (S/P) |
| 17 | 53-1933 | COVER, BLOWER HOUSING DESCONTINUADO |
| 18 | 53-1107 | THERMOSTAT, CONTROL (146/121) (S/P) |
| 18 | 53-0170 | THERMOSTAT, LO-LIMIT (120/110) DESCONTINUADO |
| 18 | 25-2134 | SCREW (S/P) |
| 19 | LA1006 | GLIDE KIT, TUMBLER |
| 19 | 31001470 | LH CYL GLIDE |
| 20 | 31001356 | RH GLD CUSHION (S/P) |
| 21 | 31001469 | RH CYL GLIDE (S/P) |
| 22 | 31001356 | CUSHION, TUMBLER GLIDE (S/P) |
| 23 | 53-0645 | COUNTERWEIGHT DESCONTINUADO |
| 24 | 53-0644 | BRACKET DESCONTINUADO |
| 24 | 25-7732 | SCREW (S/P) |
| 25 | 53-1026 | GUIDE, VANE INLET (S/P) |
| 26 | 25-3457 | SCREW, SEMS (S/P) |

| | | |
|----|----------|-------------------------------------|
| 27 | LA1008 | RR ROLLER KIT |
| 27 | LA1007 | FRONT ROLLER KIT |
| 28 | 53-1625 | BRACE, TUMBLER SUPPORT (S/P) |
| 29 | 25-7815 | WASHER (S/P) |
| 30 | 25-7957 | PUSHNUT (S/P) |
| 31 | 31001344 | PULLEY, IDLER |
| 32 | 53-2250 | ARM, IDLER (S/P) |
| 33 | 25-7699 | STRAIN RELIEF (S/P) |
| 34 | 25-7674 | SCREW (S/P) |

YG20HA3 TAMBOR





YG20HA3 TAMBOR

| | | |
|----|----------|--|
| 1 | 25-7733 | SCREW (S/P) |
| 1 | LA-1054 | BULKHEAD W/CYLINDER LIGHT WHT (S/P) |
| 2 | 31001637 | SEAL ASSY (GRAY) (S/P) |
| 3 | 53-1250 | CYLINDER (W/BAFFLE) (S/P) |
| 4 | 53-1249 | BAFFLE, WHITE |
| 4 | 25-7759 | SCREW (S/P) |
| 5 | 341241 | BELT, CYLINDER |
| 6 | 25-3457 | SCREW, SEMS (S/P) |
| 6 | 53-1580 | RECEPTACLE ASSY (S/P) |
| 7 | 53-0570 | CYL LIGHT BULB (S/P) |
| 8 | 53-0174 | LENS, BULB (S/P) |
| 9 | 3195558 | CLIP, PUSH-ON (S/P) |
| 10 | 53-0197 | SUPPORT ASSY.-CYLINDER REAR |
| 10 | 25-7101 | SCREW (S/P) |
| 11 | 31001096 | CYL ROLLER |
| 12 | 25-7813 | SPACER (S/P) |
| 13 | 25-7814 | WASHER (S/P) |
| 14 | 25-7854 | RING, RETAINING |
| 14 | LA1008 | RR ROLLER KIT |