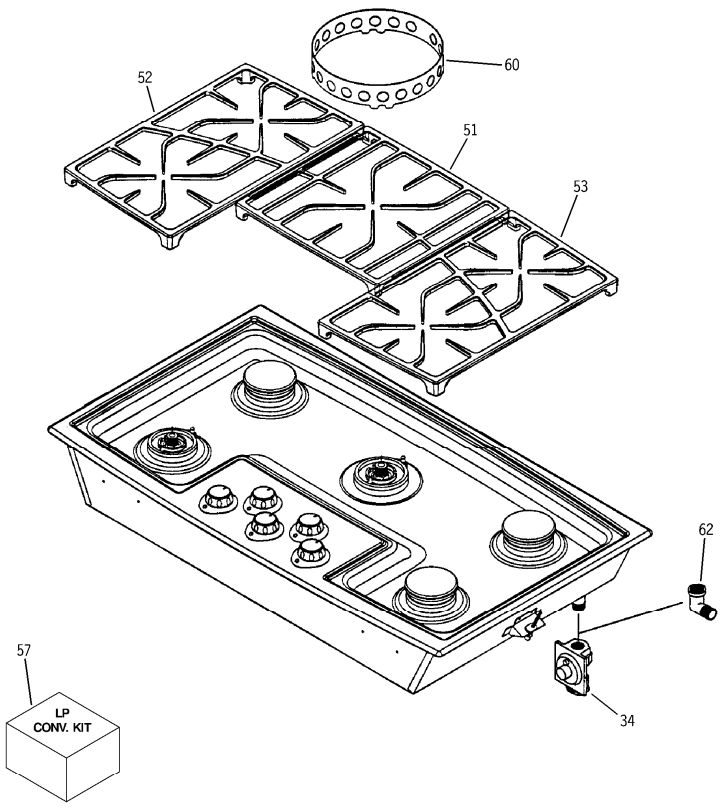


ZGU375NSD1SS

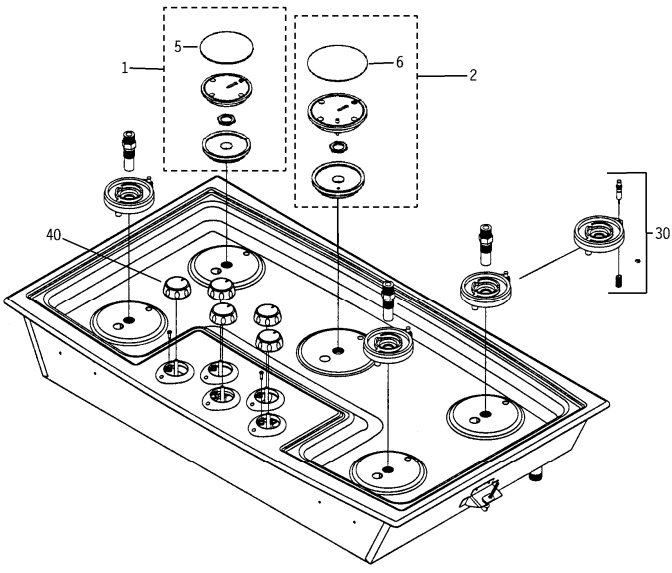




**ZGU375NSD1SS**

34	WB21X10064	REGULATOR <b>(S/P)</b>
51	WB49X10075	GRATE, CENTER <b>(S/P)</b>
52	WB49X10183	GRATE, LEFT <b>(S/P)</b>
53	WB49X10076	GRATE, RIGHT <b>(S/P)</b>
57	WB49X10088	NAT. CONV. KIT - CKTP <b>(S/P)</b>
57	WB49X10087	LP CONV KIT- CKTP <b>(S/P)</b>
57	WB49X10091	CONV KIT - HIGH ALT <b>(S/P)</b>
60	WB02X10824	WOK RING <b>(S/P)</b>
62	WB02X10823	ELBOW, 1/2 NPT <b>(S/P)</b>

ZGU375NSD1SS

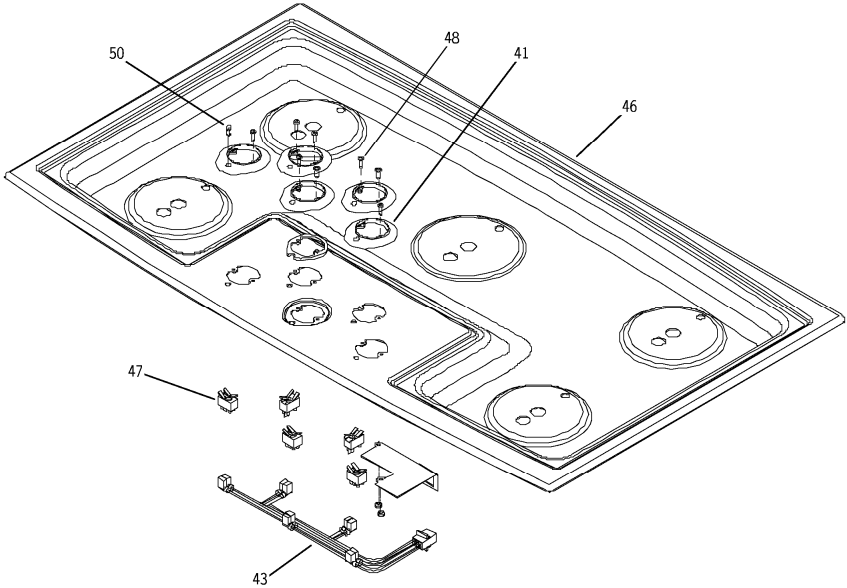




ZGU375NSD1SS

1	WB28X10061	C BURNER ASSY KIT <b>DESCONTINUADO</b>
2	WB28X10060	D BURNER ASSY KIT <b>(S/P)</b>
5	WB32X10028	C BURNER CAP, MATTE BLAC <b>(S/P)</b>
6	WB13X10014	D BURNER CAP, MATTE BLAC <b>(S/P)</b>
30	WB02X11363	IGNITOR ASSY <b>(S/P)</b>
40	WB03X10147	KNOB, WITH CLIP <b>(S/P)</b>

ZGU375NSD1SS

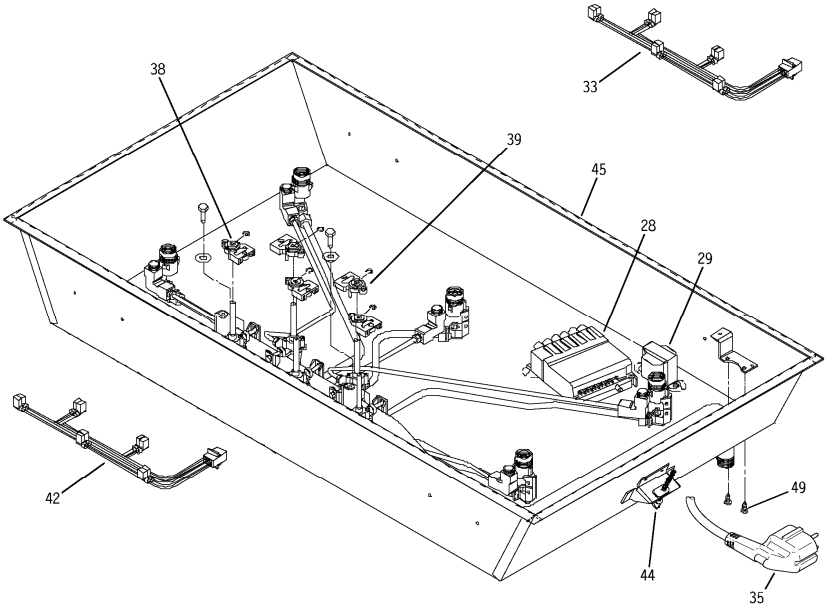




ZGU375NSD1SS

41	WB07X10482	BEZEL (S/P)
43	WB18X10172	HARNESS, LIGHTS (S/P)
46	WB02X10797	COOKTOP W/LOGO (S/P)
47	WB25X10008	PILOT LIGHT, 240V (S/P)
48	WB01X10168	SCREW 6-32 X 3/8 (S/P)
50	WB25X10009	LIGHT TUBE (S/P)

ZGU375NSD1SS



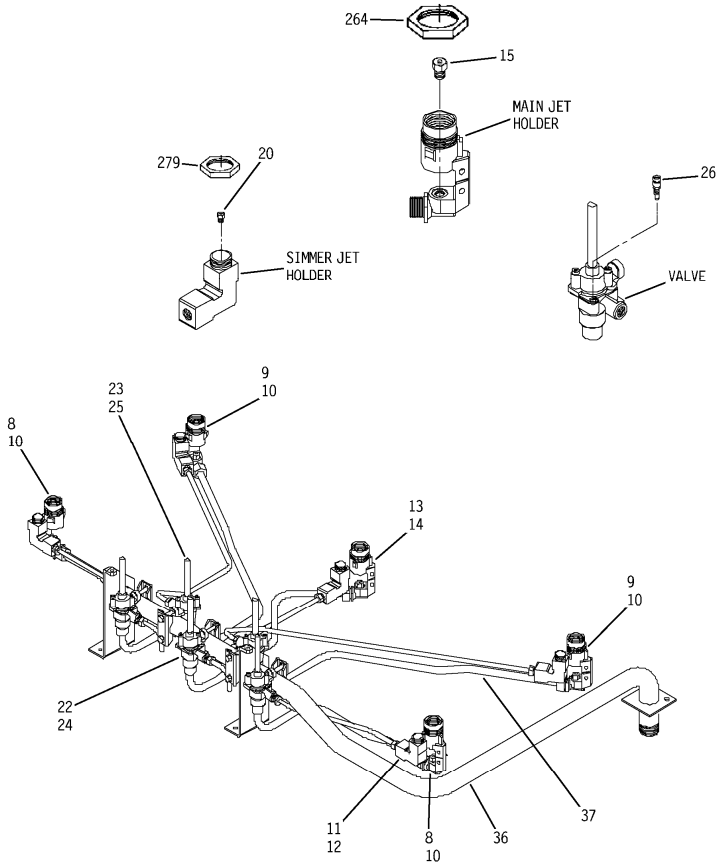


ZGU375NSD1SS

28	WB13T10076	RE-IGNITER MODULE, 5 PT. (S/P)
29	WB27X10905	TRANSFORMER 120/230V (S/P)
33	WB18X10169	WIRE HARNESS, IGNITION (S/P)
35	WB18X10170	POWER CORD (S/P)
38	WB24X10091	SWITCH, IGNITER, @ 12 O'C (S/P)
39	WB24X10092	SWITCH, IGNITER, @ 6 O/C (S/P)
42	WB18X10171	WIRE HARNESS, MAIN (S/P)
44	WB01X10153	THUMB SCREW (S/P)
45	WB01X10152	FOAM TAPE (S/P)
49	WB01X10141	SCREW, SMS, 10-24 X 1/2 <b>DESCONTINUADO</b>



ZGU375NSD1SS





**ZGU375NSD1SS**

8	WB16X10013	JET HOLDER, MAIN,C,10.5K (S/P)
9	WB16X10014	JET HOLDER, MAIN, C, 12K (S/P)
10	WB16X10015	JET HOLDER, MAIN, C,9.9K (S/P)
11	WB16X10016	JET HOLDER, SIM,C&D,NAT (S/P)
12	WB16X10017	JET HOLDER, SIM,C&D,NAT (S/P)
13	WB16X10018	JET HOLDER, MAIN, D, 15K (S/P)
14	WB16X10019	JET HOLDER,MAIN,D,11.7K (S/P)
15	WB21X10067	ORIFICE-MAIN, NAT 10.5K (S/P)
15	WB21X10077	ORIFICE-MAIN, NAT 15K (S/P)
15	WB21X10078	ORIFICE-MAIN, NAT 12.5K (S/P)
15	WB21X10062	ORIFICE-MAIN, LP 15K (S/P)
15	WB21X10080	ORIFICE-MAIN, LP 10.5 (S/P)
20	WB21X10083	ORIFICE-SIMMER, D LP (S/P)
20	WB21X10081	ORIFICE, SIMMER, C, NAT (S/P)
20	WB21X10082	ORIFICE-SIMMER, D NAT (S/P)
20	WB21X10071	ORIFICE-SIMMER, LP (S/P)
22	WB21X10087	VALVE DUAL C NAT 12 0'CL (S/P)
23	WB21X10084	VALVE DUAL C NAT 6 0'CLO (S/P)
24	WB21X10085	VALVE DUAL C LP 12 0'CL (S/P)
25	WB21X10086	VALVE DUAL C LP 6 0'CLO (S/P)
26	WB21X10072	VALVE BY-PASS NET - NAT (S/P)
26	WB21X10073	VALVE BY-PASS NET - LP (S/P)
36	WB02X10796	MANIFOLD (S/P)
37	WB28X10046	MANIFOLD TUBING - SET <b>DESCONTINUADO</b>
264	WB01X10139	NUT, JET HOLDER, MAIN (S/P)
279	WB01X10140	NUT, JET HOLDER, SIM (S/P)