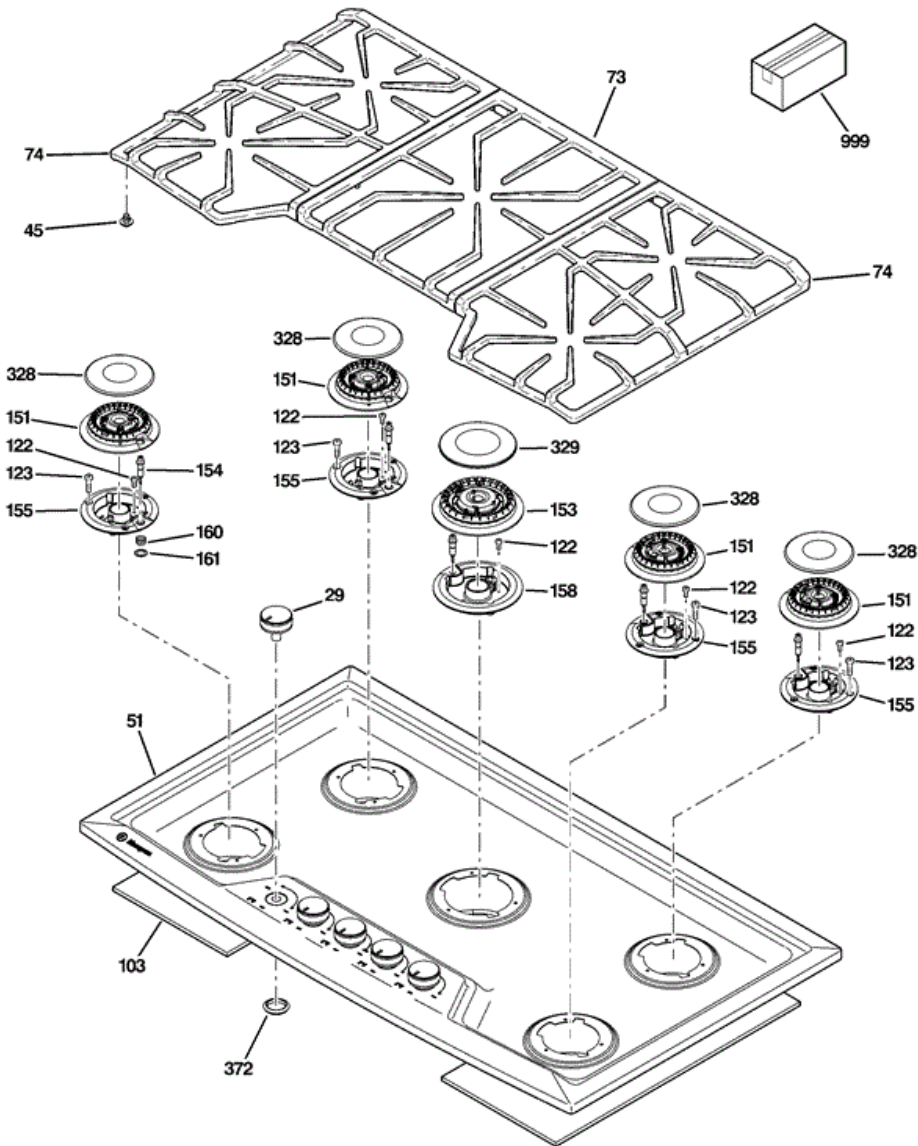


ZGU385LSM1SS PANEL & COOKTOP





ZGU385LSM1SS PANEL & COOKTOP

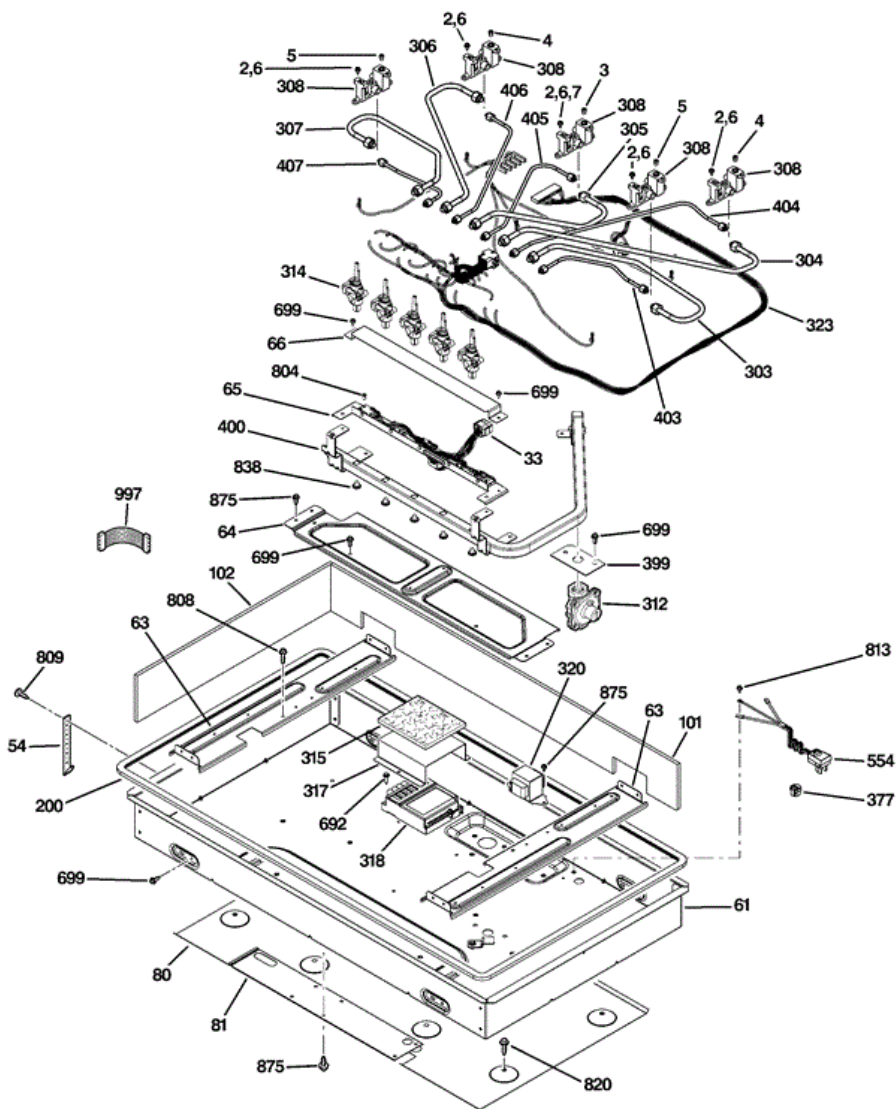
29	WB03T10259	KNOB ASM
45	WB02T10101	GRATE FOOT
51	WB62T10524	MAINTOP
73	WB31T10130	GRATE ASM
74	WB31T10128	GRATE ASM RT
74	WB31T10129	GRATE ASM LT
103	WB35T10146	INSULATION TOP
122	WB01T10092	SCREW SIMMER MAIN HD
123	WB01T10104	SCREW 8-32 MCH PNT15
123	WB01T10105	SCR 8-18 GX PNT-15 1/2 N
151	WB16T10042	HEAD BURNER ASM 12K
153	WB16T10043	BURNER HEAD ASM (18K)
154	WB13T10077	IGNITER
155	WB16T10044	BASE BURNER
158	WB16T10047	BASE BURNER 18K-SIMMER
160	WB09T10011	SPRING IGNITER
161	WB02T10323	WASHER IGNITER
328	WB29T10131	CAP BURNER
329	WB13T10067	CAP BURNER
372	WB04T10064	SEAL CONTROL
999	31-10634	INSTRUCTION INSTALL
999	31-14441	MANUAL MINI & WD ASM
999	49-80410	MANUAL USE & CARE
999	WB02T10111	CLEANER-SS
999	WB28T10185	HIGH ALT COVERION KIT

Distribuidor Autorizado

SurteRápido.com

Venta de Refacciones
Electrodomesticas

ZGU385LSM1SS GAS & BURNER





ZGU385LSM1SS GAS & BURNER

2	WB28T10118	ORIFICE SPUD LP RF SIMM
2	WB28T10148	HIGH ALT ORIFICE LP SIM
2	WB28T10159	ORIFICE SPUD (NG SIMMER)
3	WB28T10147	HIGH ALT OFC LP MAIN 18K
3	WB28T10155	ORIFICE SPUD(NG MAIN)
3	WB28T10158	ORIFICE SPUD LP MAIN 12K
3	WB28T10160	ORIFICE HIGH ALT NG MAIN
4	WB28T10117	ORIFICE SPUD LP RF MAIN
4	WB28T10157	HIGH ALT ORIFICE NG MAIN
4	WB28T10161	ORIFICE HIGH ALT NG MAIN
4	WB28T10162	ORIFICE HIGH ALT LP MAIN
5	WB28T10156	ORIFICE SPUD NG MAIN
6	WB28T10164	ORIFICE HIGH ALT NG SIM
33	WB18T10411	HARNESS W/LED ASM
54	WB02K5328	HOLD DOWN BRACKET
61	WB64T10057	BOTTOM BURN BOX
63	WB02T10313	BRACKET BURNER SUPT RT
63	WB02T10314	BRACKET BURNER SUPT LT
64	WB02T10312	BRACKET BURNER SUPPORT
65	WB02T10325	BRACKET LIGHT
66	WB02T10326	COVER LIGHT
80	WB35T10141	SHIELD BURN BOX BTM
81	WB02T10316	COVER ACCESS
101	WB35T10139	INSULATION REAR
101	WB35T10154	INSULATION FRONT
102	WB35T10140	INSULATION SIDE
200	WB04T10063	GASKET BURNER BOX
303	WB28T10166	TUBE & NUT ASM RF
304	WB28T10167	TUBE & NUT ASM RR
305	WB28T10168	TUBE & NUT ASM CENTRE
306	WB28T10169	TUBE & NUT ASM LR
307	WB28T10170	TUBE & NUT ASM LF
308	WB28T10114	INJET BURNER 18K

312	WB19T10063	REGULATOR CONVERT PRESS
312	WB19T10065	REGULATOR CONVERT PRESS
314	WB19T10062	VALVE GAS
314	WB19T10064	VALVE GAS
315	WB35T10142	INSULATION SPARK MODULE
318	WB13T10076	MODULE SPARK
320	WB27T10856	TRANSFORMER
323	WB18T10381	SWITCH HARNESS
377	WB02K5275	STRAIN RELIEF-RT ANGLE
399	WB04T10065	SEAL MANIFOLD
400	WB28T10165	PIPE MANIFOLD ASM
403	WB28T10171	TUBE & NUT ASM SIM RF
404	WB28T10172	TUBE & NUT ASM SIM RR
405	WB28T10173	TUBE & NUT ASM SIM CTR
406	WB28T10174	TUBE & NUT ASM SIM LR
407	WB28T10175	TUBE & NUT ASM SIM LF
554	WB08T10015	CORD RANGE
692	WZ04X0416	SCR 8-18 AB HXW 3/4
699	WB01K5150	SCREW ST10-16 X 7/16"
804	WB01X1127	SCREW
808	WB01T10058	SCR 10-16 AB HXW.750 S N
809	WB01X1137	SCREW
813	WB01X1261	SCREW GROUND
820	WB01X1424	SCREW
838	WB01X1121	SCREW
875	WB01T10046	SCR 8-18 AB HW 9/16 BLK
875	WH02X0930	SCREW 8-18 AB HXW 3/8
997	WB18T10429	LEAD WIRE GY 14 INCH
997	WB18T10430	LEAD WIRE 24 INCH
997	WB18T10431	LEAD WIRE 6 INCH
997	WB18T10432	LEAD WIRE Y 14 INCH
997	WB18T10433	LEAD WIRE 26 INCH