

Distribuidor Autorizado

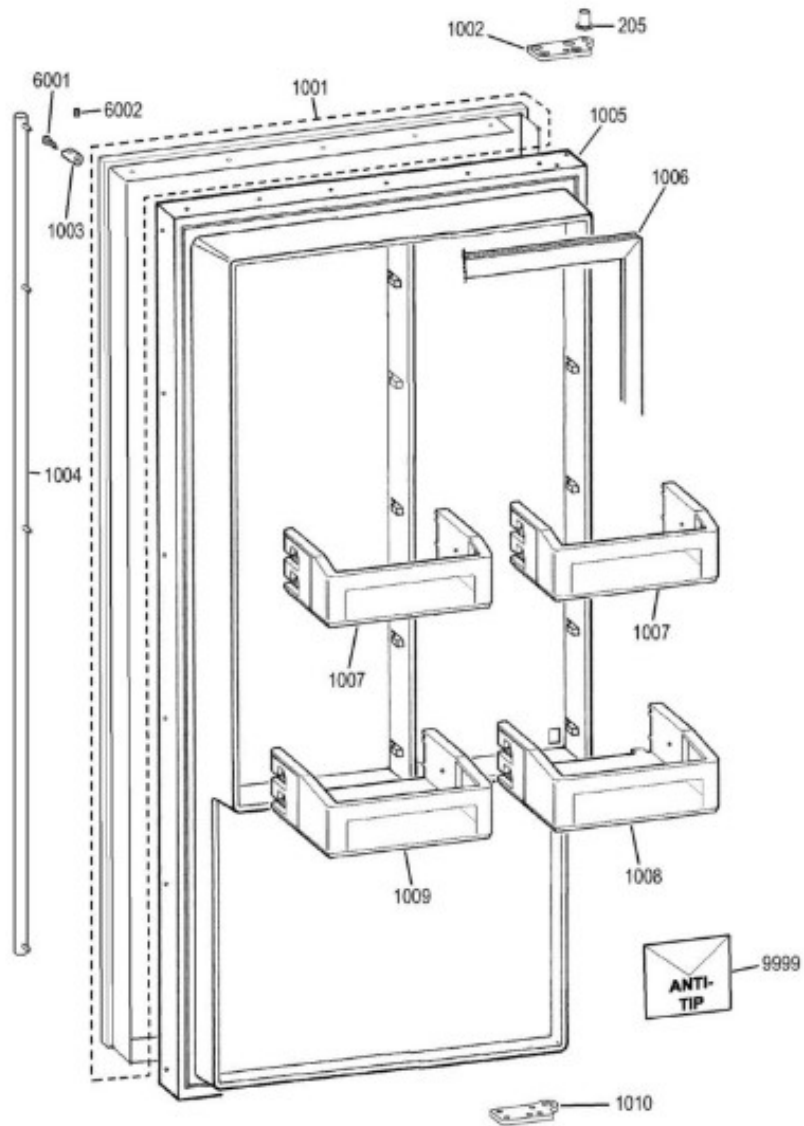
SurteRápido.com

Venta de Refacciones  
Electrodomesticas

# CONGELADOR ZIFS360NHARH

**PUERTA & DOOR**

**ZIFS360NHARH**



Distribuidor Autorizado

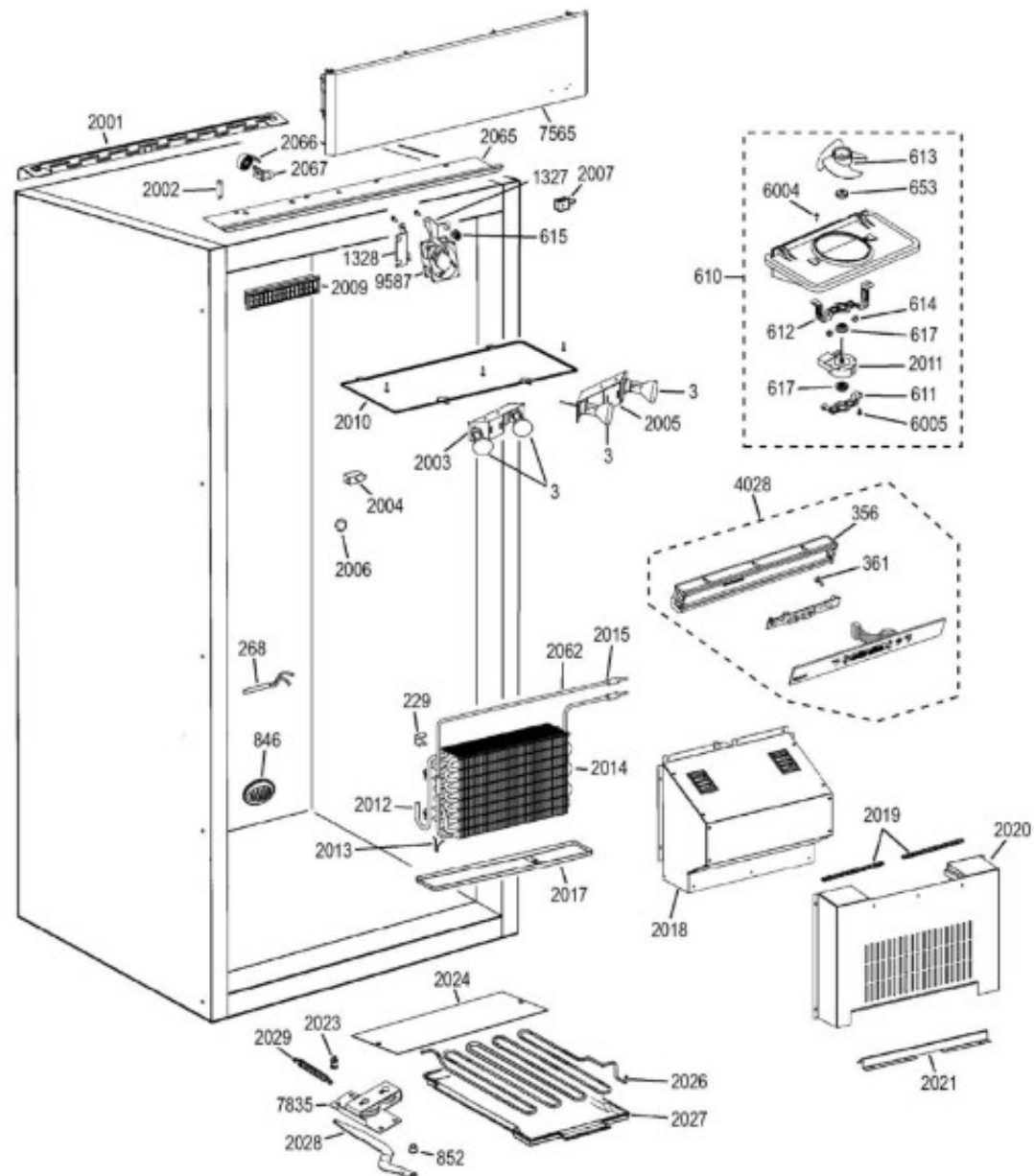
SurteRápido.com

Venta de Refacciones  
Electrodomesticas

# CONGELADOR ZIFS360NHARH

## GABINETE & CABINET 1

ZIFS360NHARH



Distribuidor Autorizado

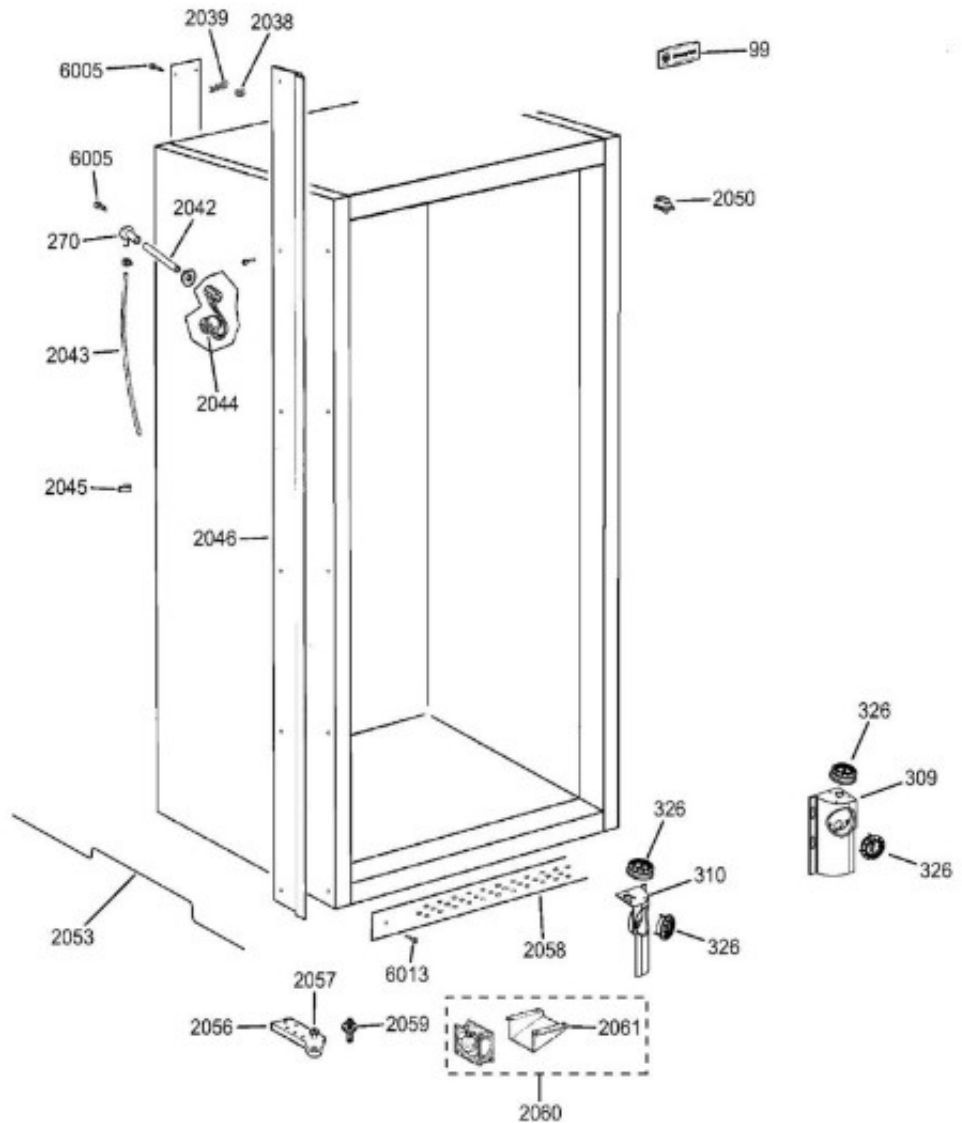
SurteRápido.com

Venta de Refacciones  
Electrodomesticas

# CONGELADOR ZIFS360NHARH

## GABINETE & CABINET 2

ZIFS360NHARH



Distribuidor Autorizado

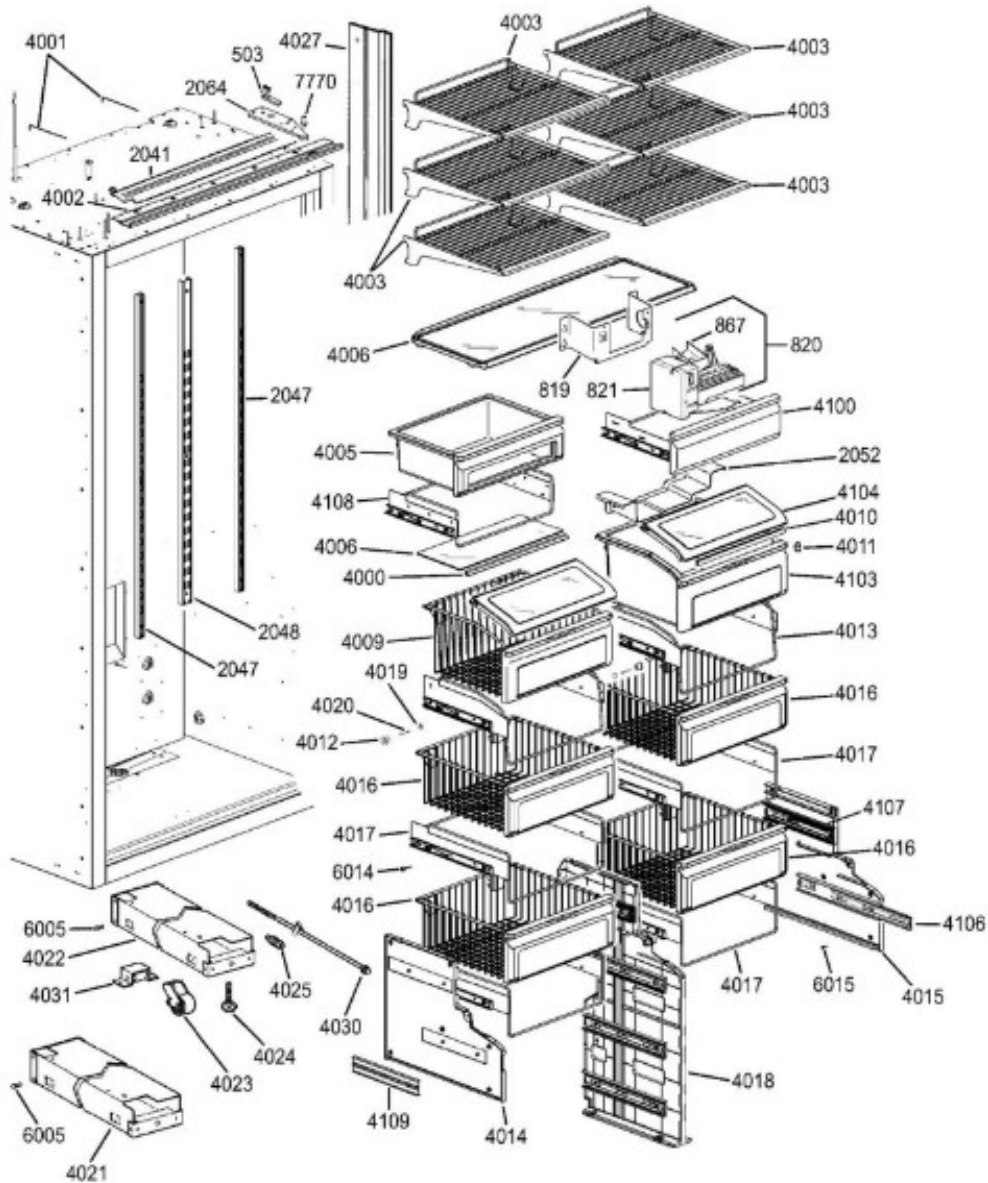
SurteRápido.com

Venta de Refacciones  
Electrodomesticas

# CONGELADOR ZIFS360NHARH

## SHELVES & DRAWERS ESTANTES Y CAJONES

ZIFS360NHARH



Distribuidor Autorizado

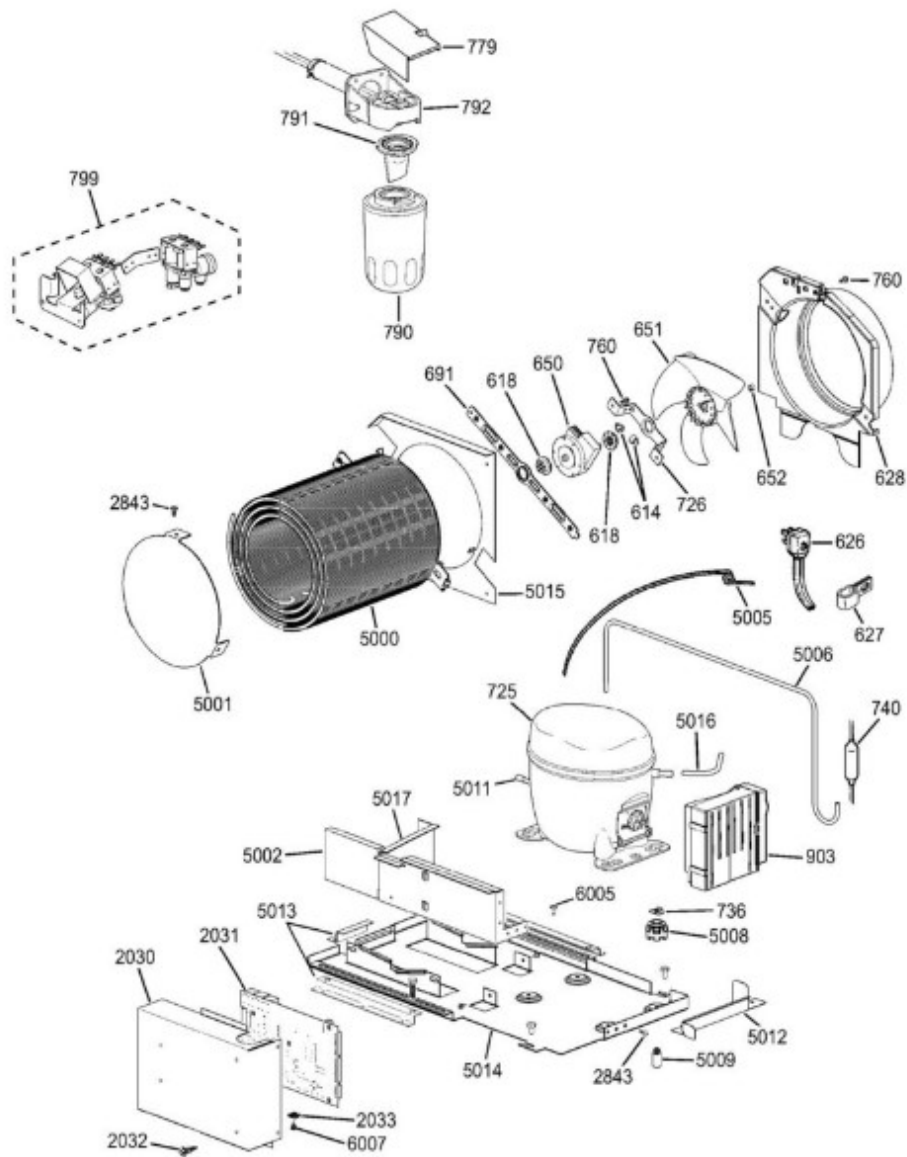
SurteRápido.com

Venta de Refacciones  
Electrodomesticas

# CONGELADOR ZIFS360NHARH

## MACHINE COMPARTMENT COMPARTIMIENTO DE LA MÁQUINA

ZIFS360NHARH



Distribuidor Autorizado

**SurteRápido.com**

Venta de Refacciones  
Electrodomesticas

# CONGELADOR ZIFS360NHARH

Guía	Refacción	Descripción
1	WG03F00911	CORD POWER ASM
3	WG03F01085	LUZ DE HALOGENO
3	WG03F08275	LUZ DE HALOGENO
10	WR01A01049	SCR 8-18 BA POR 5/8 SS
99	WG02A02342	LOGO MONOGRAM
136	WG03F00574	STAND OFF SS
136	WG03A02777	STAND OFF SS
137	WG03A00033	SCREW SET #1
138	WG03A00030	SCREW #10-32
201	WG03A00011	BUSHING HINGE BOTTOM
202	WR01A01444	HINGE PIN
205	WG03A00012	BUSHING HINGE TOP
229	WG03F00978	CLIP EVAP THERMISTOR
268	WG03F04959	SENSOR TEMPERATURE
270	WG02L05798	TUBO DE GOMA LLENADO
300	WG03F05137	MWF MANIFOLD & TUBES ASM
301	WG03F00087	CAP FILTER BY PASS
301	WG03L10111	CAP FILTER BY PASS
303	WG01F01839	FILTRO INTERNO
309	WG03L05977	ENS. LUCES INF DER.
309	WG03L05978	ENS. LUCES INF IZQ.
326	WG03F00509	QC HALOGEN LAMP ASM
356	WG03F04231	SOPORTE CONTROL
361	WG03A00591	4-40 X 1/4 PH SMS
503	WG03A01854	ESPACIADOR
509	WG03F00769	LEVELING LEG
509	WG03F00389	LEVELING LEG
513	WG03F00691	WHEEL REAR ASM
514	WG03A00253	RESORTE DE ESPIRAL
525	WG03L06943	CHARNIERE SUP. REFRIG.
528	WG03L04423	BASE SHAFT
543	WG03F00293	FUSIBLE 2 AMP
550	WG03A00431	SCREW
550	WR01A01049	SCREW
610	WG03F04310	FAN & ORIFICE EVAP ASM

Distribuidor Autorizado

**SurteRápido.com**

Venta de Refacciones  
Electrodomesticas

# CONGELADOR ZIFS360NHARH

Guía	Refacción	Descripción
611	WR01A00878	SOPORTE EVAPORADOR VENTILADOR
613	WR01F03314	BLADE EVAP FAN ASM
613	WG03F08164	BLADE EVAP FAN ASM
615	WR01A00307	GROMMET EVAPORADOR VENTILADOR
623	WG03A00056	WASHER SHOWCASE PIVOT
627	WG03L01908	BUTTON M
627	WG03A02205	CLAMP CABLE
652	WG03F01616	RING COMPRESSION
653	WG03L06885	CAP DUST
713	WG03F04962	MOTOR DC COND FAN
713	WG03F00433	MOTOR DC COND FAN
724	WG02F02001	GROMMET FAN MOTOR
725	WR01F01523	INVERTER COMPRESSOR EMBRACO
726	WR01A00886	SOPORTE POSTERIOR CONDENSADOR
726	WG03F00071	BRACKET COND FAN (MTG)
727	WG03L00005	BLADE CONF FAN ASM
727	WR02F04236	BLADE CONF FAN ASM
729	WR17X11252	CUBIERTA CONDENSADOR
730	WG03A01234	TORNILLO 8-32
735	WG03F04956	MASTER LIGHT SWITCH
736	WR01A00191	CLIP COMPRESSOR MOUNT
740	WR01L01926	DRYER BIFURCATED HX9
741	WG03A01623	SUJETADOR COMP
749	WR17X10694	BAFFLE COND AIR
750	WR01X1826	#8-18 TYPE AB X 3/8 PH P
779	WG03L05907	CUBIERTA VALVULA
795	WG03F00070	BRACKET AND VALVE ASM
806	WG04F01219	LÍNEA AGUA VÁLVULA HIELO
806	WG04F01219	LÍNEA AGUA VÁLVULA HIELO
819	WG03A02208	BRACKET IM
820	WG03F00352	IM & FILL CUP
820	WG03F07935	IM & FILL CUP
821	WG03L00015	COVER ICEMAKER
846	WR01L04066	SENSOR
849	WG03A00079	BUMPER LID

Distribuidor Autorizado

**SurteRápido.com**

Venta de Refacciones  
Electrodomesticas

# CONGELADOR ZIFS360NHARH

Guía	Refacción	Descripción
853	WG03A00008	BUSHING ARM
862	WR01A00872	SOPORTE VENTILADOR
864	WG03F00306	GROMMET EVAP FAN
903	WG03F01498	ENSAMBLE INVERSOR
903	WG03F07266	ENSAMBLE INVERSOR
1001	WG03L06890	WRAP SD EURO RH
1002	WG03L00317	BISAGRA SUPERIOR
1002	WG03L07744	BISAGRA SUPERIOR
1004	WG03F01447	ENSAMBLE JALADERA TUBULAR
1004	WG03A02499	ENSAMBLE JALADERA TUBULAR
1005	WG03L06894	DOOR FOAMED ASM SD
1006	WG03L06878	SELLO PUERTA
1007	WG02L00043	BIN FF DOOR
1008	WR01L08881	BIN, DOOR FF DEEP RH
1009	WG03L00003	BIN DOOR FF
1010	WG03L00316	BISAGRA PUERTA
1327	WG03A01852	SOPORTE VENTILADOR
1328	WG03A01847	SOPORTE VENTILADOR LH
2001	WG03A02206	BRACKET WALL MOUNTING
2003	WG03L06076	SOPORTE LUCES IZQ
2005	WG03L06075	SOPORTE LUCES DER
2006	WG03L04280	TAPA BOTON
2009	WG03L05904	VENTANILLA SD
2010	WG02L05799	CEILING LIGHT SHIELD /MONOGRAM
2011	WG03F00434	MOTOR DC EVAP FAN ASM
2012	WG03A01835	AGRAFE CHAUFFANT
2013	WG03F03802	TUBE JUMP SUCT EVAP ASM
2014	WG03F00254	EVAP COIL
2015	WR01F02870	RESISTENCIA DES.
2017	WG03L06888	ENSAMBLE CHAROLA DESHIELO
2018	WG03L05979	CUBIERTA EVAPORADOR
2020	WG03F05131	COUVERCLE EVAPORATEUR ASM
2021	WG03F04235	BANDEJA EVAPORADOR
2024	WG03L05906	PAN PROTECTOR REAR COVER/MONO
2026	WG03F05138	CONDENSER BOTTOM SD



Distribuidor Autorizado

**SurteRápido.com**

Venta de Refacciones  
Electrodomesticas



# CONGELADOR ZIFS360NHARH

Guía	Refacción	Descripción
2027	WG03L00723	DRAIN PAN
2028	WG03F00014	ACTUATOR ARM FF DOOR
2030	WG03F01669	CUBIERTA TARJETA
2031	WG03F05132	ENS TARJETA CONTROL
2032	WG03F04200	SUJETADOR TARJETA
2033	WG03A01853	NUT-U
2036	WG03A00259	MECANISMO DE CIERRE PUERTA RH
2038	WG03A01601	WASHER 3/8
2039	WG03F03800	HAIRPIN COTTER
2041	WG03A01850	WIRE GUARD (Eyebrow) RH
2042	WG03F04201	TUBO DE LLENADO
2044	WG03F04305	FILL TUB ASM, MONOGRAM
2046	WG03F00654	TRIM CASE
2047	WG03F01770	SOPORTE PARRILLAS LATERAL
2048	WG03F01771	SOPORTE PARRILLAS CENTRAL
2050	WG03F04953	SWITCH PUERTA
2052	WG03L06895	CUBIERTA CHAROLA
2053	WG03F03656	TUBE ASM WATER VALVE
2056	WG03F04223	LOWER CASE HINGE LH&RH / MONOG
2058	WG03F05136	TOE KICK RH
2060	WG03F05134	DEGRIVAGE SUPPORT VENTILATEUR ASM
2061	WG03A01630	BRACKET VENTILADOR
2062	WG03F05140	HARNES HEATERS TOD
2066	WG03F04087	TRANSFORMER LIGHT 160VA
2067	WG03A00104	SOPORTE LUZ
3542	WG03A02195	SPRING CLOSURE
3542	WG03A00187	SPRING CLOSURE
3546	WG03L05398	BM TRIM TOP CASE
3599	WG03L06893	CUP FILL IM
4000	WG03L06896	STRIP SD FZ VEG PAN
4001	WG03L05727	ROD
4002	WG03F03905	SWITCH PLATE RH
4003	WG03L00702	PARRILLA DE ALAMBRE FZ
4006	WG03L05973	CHARORALA SNACK
4008	WG03L06047	VENTANA CAJON

Distribuidor Autorizado

**SurteRápido.com**

Venta de Refacciones  
Electrodomesticas

# CONGELADOR ZIFS360NHARH

Guía	Refacción	Descripción
4009	WG03L07818	BAC A LEGUMES FIL ASM.
4010	WG03L00183	SEAL FRONT SHOWCASE LID
4013	WG03A01951	SOPORTE CAJON
4014	WG03A01950	SUPPORT SLIDE ASM LF / MONOGRAM
4015	WG03A01949	SUPPORT SIDE ASM R / MONOGRAM
4016	WR32X10121	VEG PAN BASKET ASM
4016	WG03F00669	VEG PAN BASKET ASM
4017	WG03L00216	SUPPORT VEG BASKET ASM
4017	WG03L00216	SUPPORT VEG BASKET ASM
4018	WG03F04098	DIVIDER CENTER ASM / MONOGRAM
4021	WG03F00034	BASE CHANNEL ASM LH
4021	WG03L10110	BASE CHANNEL ASM LH
4022	WG03L05940	BASE CHANNEL ASM RH
4023	WG03L05908	LLANTA FRONTAL
4027	WG03L05912	TRIM LATERAL
4028	WG03L06897	HMI ASM FZ SD
4100	WG03L05572	COVER IM ASM
4103	WG03L06051	COVER ICE BUCKET ASM
4106	WG03L01020	RIEL
4107	WG03L01021	RIEL
4108	WG03A01953	SUPPORT ASS SNACK PAN / MONOGRAM
4109	WG03L00664	SLIDE SUPPORT LOWER SD
5000	WG03F04340	CONDENSADOR
5002	WG03F04226	FOAM CONDENSER BAFFEL / MONOGRAM
5005	WG03F03801	TUBE JUMP SUCT COMP ASM
5006	WG03F03803	TUBE JUMP CAP DRYER
5008	WG03A00867	GROMMET
5011	WG03F03799	TUBE PROCESS DRYER
5012	WG03L05135	KEEP OUT LT SW LH
5013	WG03L05117	RETAINER SYSTEM PAN
5013	WG03F03480	RETAINER SYSTEM PAN
5014	WG03L05386	SYSTEM PAN ASM
5015	WG03F04232	TAPA COND
5016	WG03F04184	TUBO DESCARGA
5017	WG03F04234	BAFFLE COND, MONOGRAM

Distribuidor Autorizado

**SurteRápido.com**

Venta de Refacciones  
Electrodomesticas

## CONGELADOR ZIFS360NHARH

Guía	Refacción	Descripción
5232	WG03A00013	BUSHING SHOWCASE PIVOT
5413	WG03L05570	SNACK PAN ASM
5413	WG03F00568	SNACK PAN ASM
5421	WG03A00031	SCREW #8 18 X 3/4
6004	WR01A00647	TORNILLO 10-32 CA HXWS 9/16 S
6005	WG04A02340	SCR 8-16X2 SS
6015	WG03A01329	SCREW 6X1/2 PAN PHIL H/L
7317	WG03A00760	1/4 CLAMP NYLON
7317	WG03A00760	1/4 CLAMP NYLON
7526	WG03L06891	GRILL ASM EURO RH
7573	WG03A00050	STUD SPRING FF DOOR
7770	WG03A03388	SHEAR PIN
7951	WG03A01499	TWIST SUPPORT
7951	WG03A01499	TWIST SUPPORT
8454	WG03L01984	TRIM
8613	WG03L08679	SCREW, #8-15 X 1/2 CR PA
9587	WR01F01921	VENTILADOR ENSAMBLE
9999	WG03A02207	ASM OUTIL ANTI-BACSULEMENT