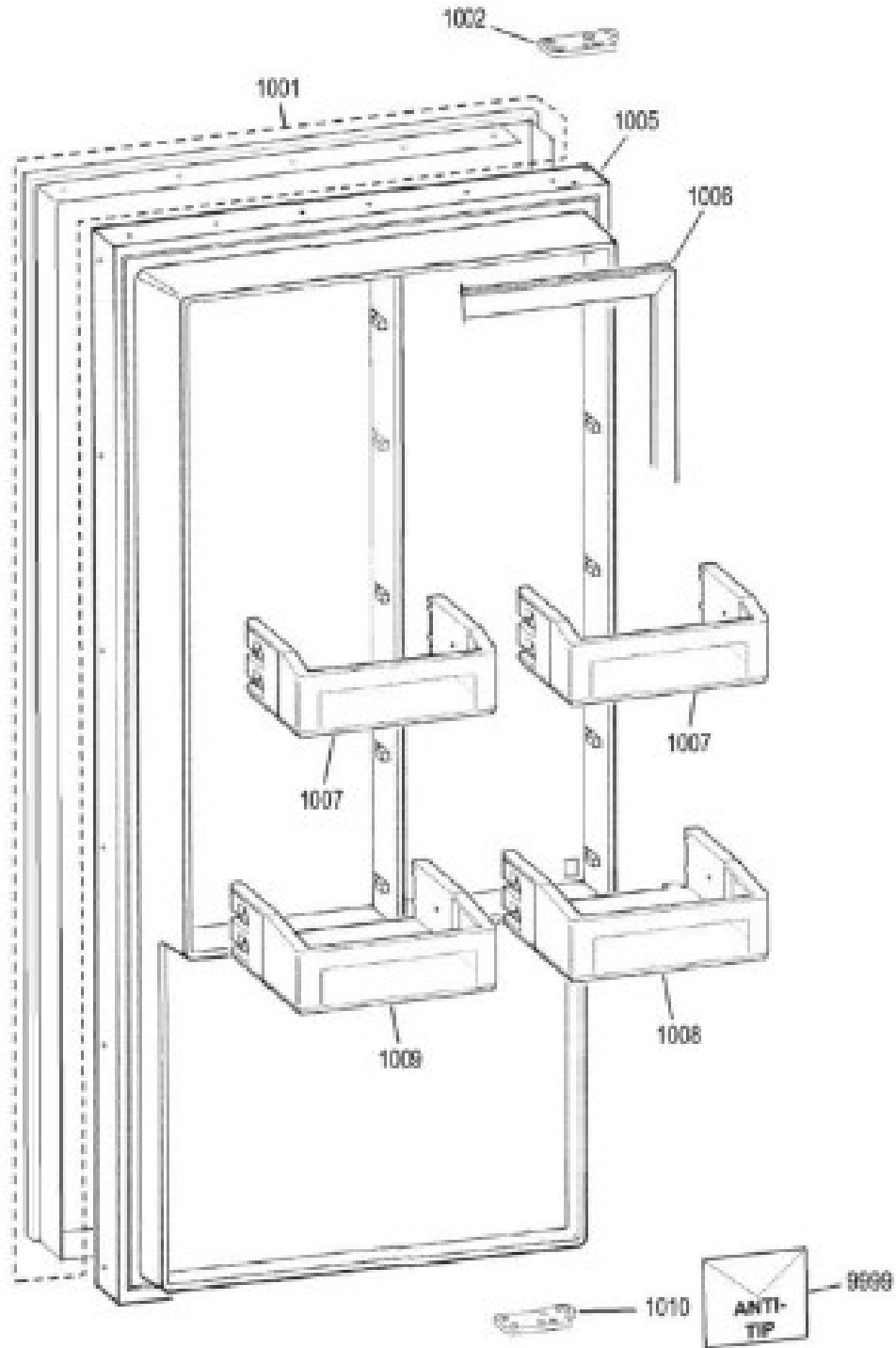


Distribuidor Autorizado

**SurteRápido.com**

Venta de Refacciones  
Electrodomesticas

# CONGELADOR ZIFS360NNBLH

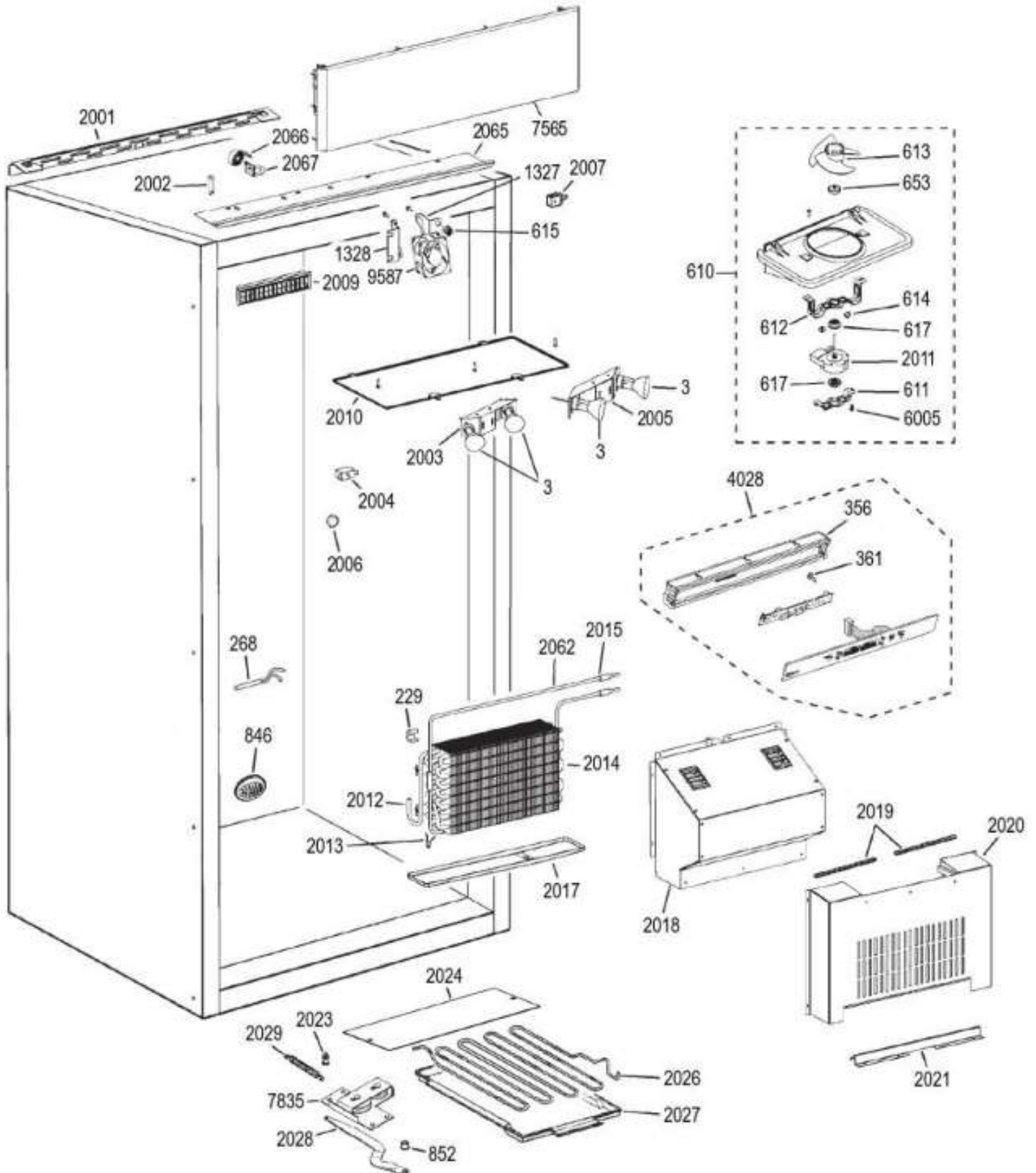


Distribuidor Autorizado

SurteRápido.com

Venta de Refacciones  
Electrodomesticas

# CONGELADOR ZIFS360NNBLH

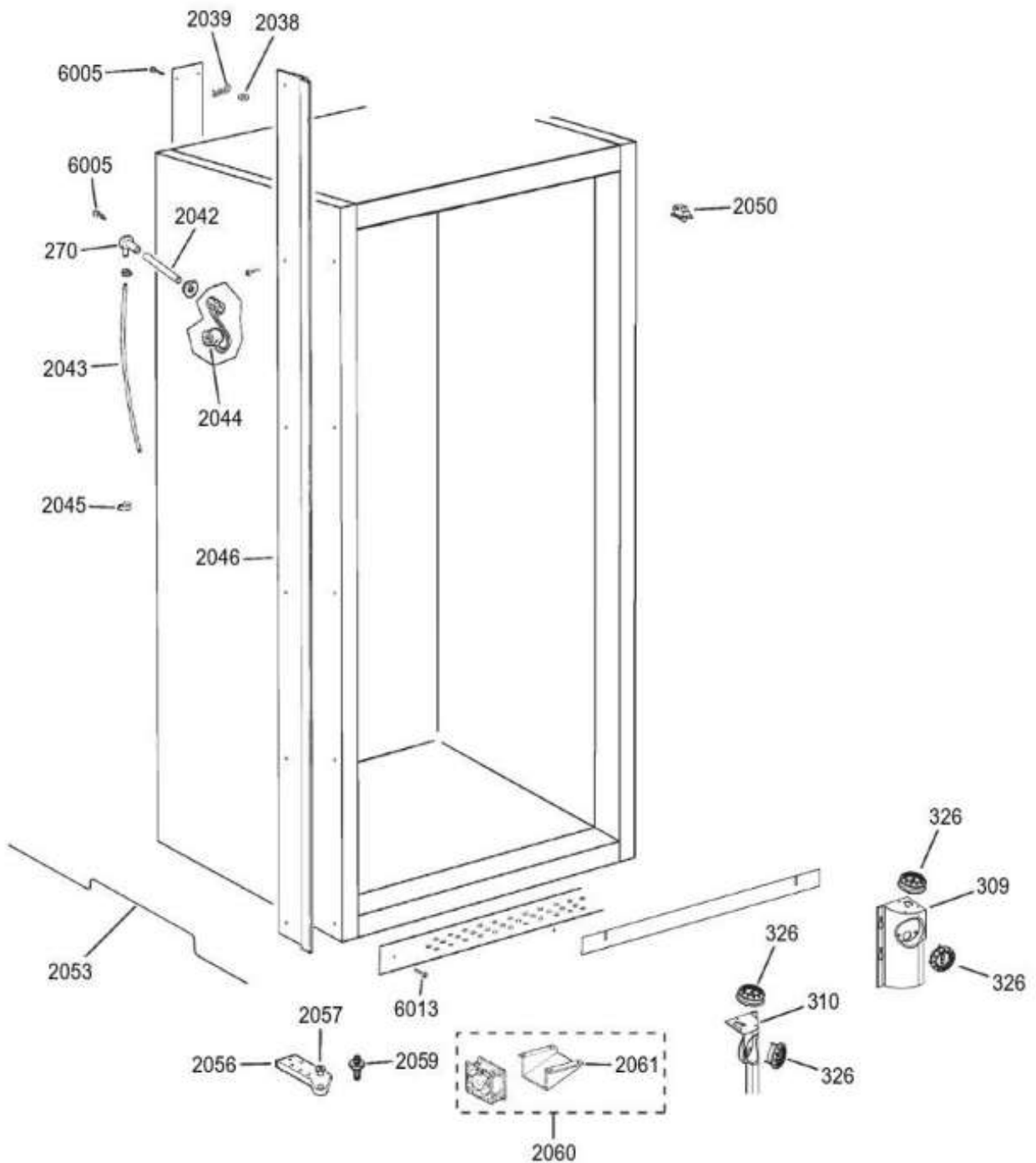


Distribuidor Autorizado

SurteRápido.com

Venta de Refacciones  
Electrodomesticas

# CONGELADOR ZIFS360NNBLH

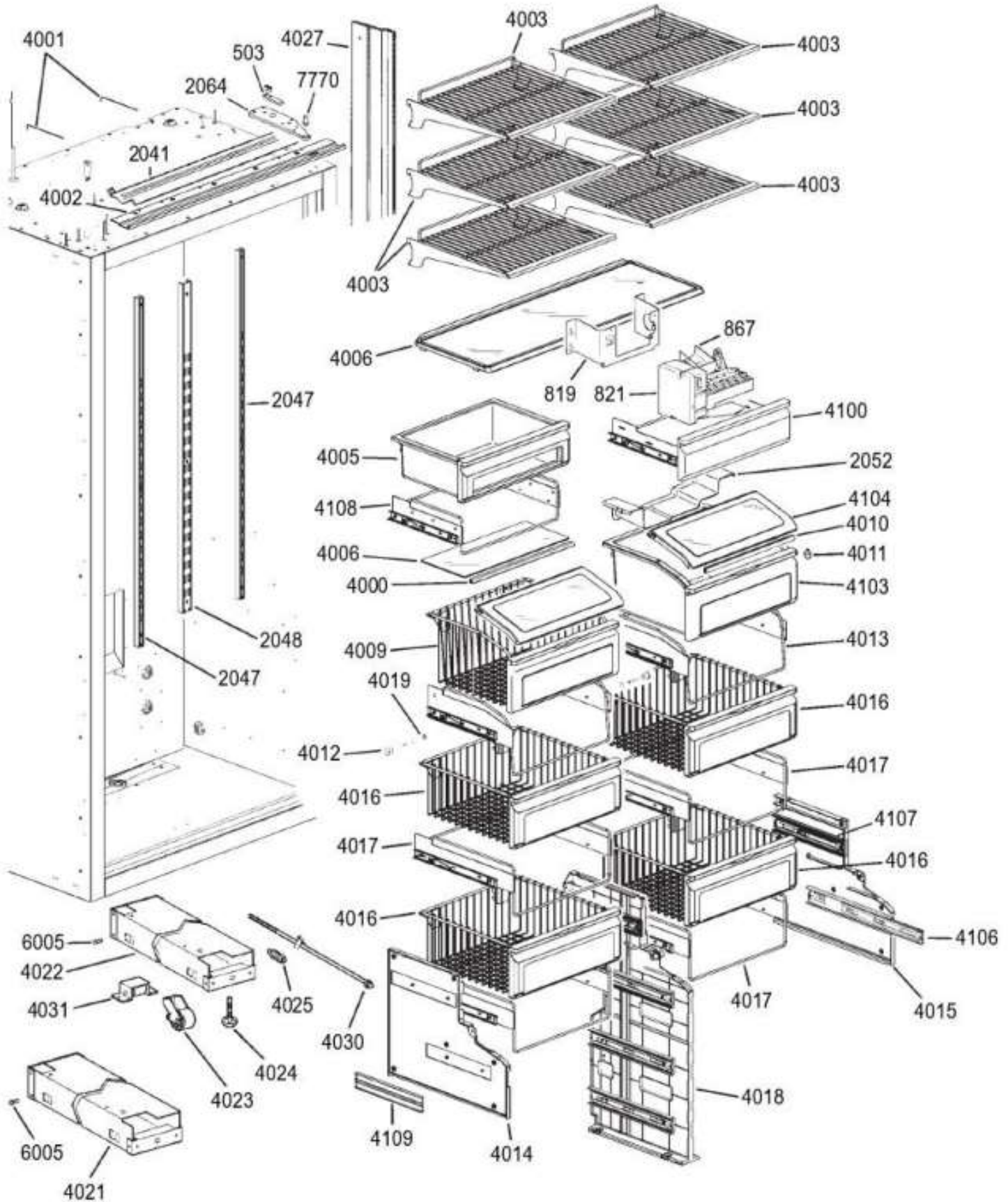


Distribuidor Autorizado

**SurteRápido.com**

Venta de Refacciones  
Electrodomesticas

# CONGELADOR ZIFS360NNBLH

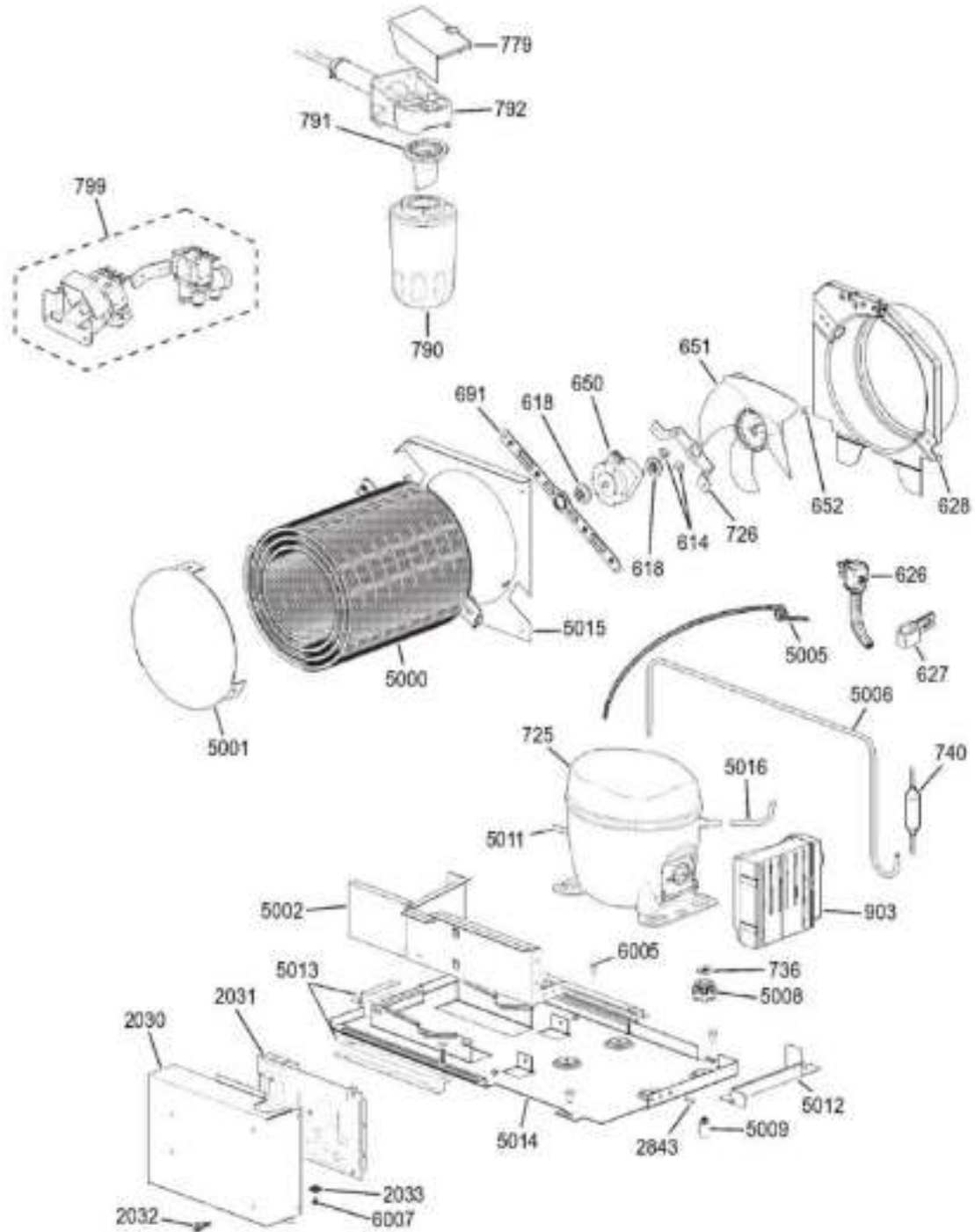


Distribuidor Autorizado

SurteRápido.com

Venta de Refacciones  
Electrodomesticas

# CONGELADOR ZIFS360NNBLH



Distribuidor Autorizado

**SurteRápido.com**

Venta de Refacciones  
Electrodomesticas

## CONGELADOR ZIFS360NNBLH

Guía	Refacción	Descripción
3	WG03F01085	LUZ DE HALOGENO
3	WG03F08275	LUZ DE HALOGENO
229	WG03F00978	CLIP EVAP THERMISTOR
268	WG03F04959	SENSOR TEMPERATURE
270	WG02L05798	TUBO DE GOMA LLENADO
309	WG03L05977	ENS. LUCES INF DER.
310	WG03L05978	ENS. LUCES INF IZQ.
326	WG03F00509	QC HALOGEN LAMP ASM
356	WG03F04231	SOPORTE CONTROL
361	WG03A00591	4-40 X 1/4 PH SMS
503	WG03A01854	ESPACIADOR
610	WG03F04310	FAN & ORIFICE EVAP ASM
611	WR01A00878	SOPORTE EVAPORADOR VENTILADOR
612	WR01A00872	SOPORTE VENTILADOR
613	WR01F03314	BLADE EVAP FAN ASM
613	WG03F08164	BLADE EVAP FAN ASM
614	WG03A00079	BUMPER LID
615	WR01A00307	GROMMET EVAPORADOR VENTILADOR
617	WG03F00306	GROMMET EVAP FAN
618	WG02F02001	GROMMET FAN MOTOR
626	WG03F07268	POWER CORD
627	WG03A02205	CLAMP CABLE
628	WR17X11252	CUBIERTA CONDENSADOR
650	WG03F04962	MOTOR DC COND FAN
650	WG03F00433	MOTOR DC COND FAN
651	WG03L00005	BLADE CONF FAN ASM
651	WR02F04236	BLADE CONF FAN ASM
652	WG03F01616	RING COMPRESSION
653	WG03L06885	CAP DUST
691	WR01A00886	SOPORTE POSTERIOR CONDENSADOR
725	WR01A02139	INVERTER COMPRESSOR EMB
725	WR01A02139	INVERTER COMPRESSOR EMB
726	WG03F00071	BRACKET COND FAN (MTG)
736	WR01A00191	CLIP COMPRESSOR MOUNT

Distribuidor Autorizado

**SurteRápido.com**

Venta de Refacciones  
Electrodomesticas

## CONGELADOR ZIFS360NNBLH

Guía	Refacción	Descripción
740	WR01L01926	DRYER BIFURCATED HX9
779	WG03L05907	CUBIERTA VALVULA
790	WG01F01839	FILTRO INTERNO
791	WG03F00087	CAP FILTER BY PASS
791	WG03L10111	CAP FILTER BY PASS
792	WG03F08105	MANIFOLD
799	WG03F00070	BRACKET AND VALVE ASM
819	WG03A02208	BRACKET IM
821	WG03F08277	MAQUINA DE HIELO
846	WR01L04066	SENSOR
852	WG03A00008	BUSHING ARM
867	WG03L06893	CUP FILL IM
903	WG03F07266	COMPONENTES COMPRESOR
1001	WG03L10744	ENV. PUERTA INOX
1002	WG03L07870	HINGE ASM DOOR TOP LH
1005	WR78X32609	CONG PUERTA SIMPLE DERECHA
1006	WG03L06878	SELLO PUERTA
1007	WG02L00043	BIN FF DOOR
1008	WR01L08881	BIN, DOOR FF DEEP RH
1009	WG03L00003	BIN DOOR FF
1010	WG03L00316	BISAGRA PUERTA
1327	WG03A01852	SOPORTE VENTILADOR
1328	WG03A01847	SOPORTE VENTILADOR LH
2001	WG03A02206	BRACKET WALL MOUNTING
2002	WG03F00293	FUSIBLE 2 AMP
2003	WG03L06076	SOPORTE LUCES IZQ
2004	WG03F04956	MASTER LIGHT SWITCH
2005	WG03L06075	SOPORTE LUCES DER
2006	WG03L04280	TAPA BOTON
2007	WG03A01499	TWIST SUPPORT
2007	WG03A01499	TWIST SUPPORT
2009	WG03L05904	VENTANILLA SD
2010	WG02L05799	CEILING LIGHT SHIELD /MONOGRAM
2011	WG03F00434	MOTOR DC EVAP FAN ASM
2012	WG03A01835	AGRAFE CHAUFFANT

Distribuidor Autorizado

**SurteRápido.com**

Venta de Refacciones  
Electrodomesticas

# CONGELADOR ZIFS360NNBLH

Guía	Refacción	Descripción
2013	WG03F03802	TUBE JUMP SUCT EVAP ASM
2014	WG03F00254	EVAP COIL
2015	WR01F02870	RESISTENCIA DES.
2017	WG03L06888	ENSAMBLE CHAROLA DESHIELO
2018	WG03L05979	CUBIERTA EVAPORADOR
2019	WG03L01984	TRIM
2020	WG03F05131	COUVERCLE EVAPORATEUR ASM
2021	WG03F04235	BANDEJA EVAPORADOR
2023	WG03A00050	STUD SPRING FF DOOR
2024	WG03L05906	PAN PROTECTOR REAR COVER/MONO
2026	WG03F05138	CONDENSER BOTTOM SD
2027	WG03L00723	DRAIN PAN
2028	WG03F03261	LINK ACTUATOR LH, MONOGRAM
2029	WG03A02195	SPRING CLOSURE
2029	WG03A00187	SPRING CLOSURE
2030	WG03L09882	MAIN CONTROL BOARD COVER
2031	WR01L12509	BOARD ASM MAIN CONTROL
2031	WG03F07941	BOARD ASM MAIN CONTROL
2032	WG03F04200	SUJETADOR TARJETA
2033	WG03A01853	NUT-U
2038	WG03A01601	WASHER 3/8
2039	WG03F03800	HAIRPIN COTTER
2041	WG03F05856	ENJOLIVEUR GAUCHE, FI
2042	WG03F04201	TUBO DE LLENADO
2043	WG04F01219	LÍNEA AGUA VÁLVULA HIELO
2043	WG04F01219	LÍNEA AGUA VÁLVULA HIELO
2044	WG03F04305	FILL TUB ASM, MONOGRAM
2045	WG03A00760	1/4 CLAMP NYLON
2045	WG03A00760	1/4 CLAMP NYLON
2046	WG03L11013	RECUBRIMIENTO LATERAL IZQ. CAJA REF.
2047	WG03F01770	SOPORTE PARRILLAS LATERAL
2048	WG03F01771	SOPORTE PARRILLAS CENTRAL
2050	WG03F06576	SWITCH LIGHT
2052	WG03L06895	CUBIERTA CHAROLA
2056	WG03F04223	LOWER CASE HINGE LH&RH / MONOG



Distribuidor Autorizado

**SurteRápido.com**

Venta de Refacciones  
Electrodomesticas

# CONGELADOR ZIFS360NNBLH

Guía	Refacción	Descripción
2057	WG03A00011	BUSHING HINGE BOTTOM
2059	WR01A01444	HINGE PIN
2060	WG03F05134	DEGRIVAGE SUPPORT VENTILATEUR ASM
2061	WG03A01630	BRACKET VENTILADOR
2062	WG03F08276	ARNÉS DEL CALENTADOR TOD
2064	WG03L06943	CHARNIERE SUP. REFRIG.
2065	WG03A03765	MOLDURA SUP CAJA REF
2066	WG03F04087	TRANSFORMER LIGHT 160VA
2067	WG03A00104	SOPORTE LUZ
4000	WG03L06896	STRIP SD FZ VEG PAN
4001	WG03L05727	ROD
4002	WG03F03904	SWITCH PLATE LH
4003	WG03L00702	PARRILLA DE ALAMBRE FZ
4005	WG03L05570	SNACK PAN ASM
4005	WG03F00568	SNACK PAN ASM
4006	WG03L05973	CHARORALA SNACK
4009	WG03L07818	BAC A LEGUMES FIL ASM.
4010	WG03L00183	SEAL FRONT SHOWCASE LID
4011	WG03L01908	BUTTON M
4012	WG03A00013	BUSHING SHOWCASE PIVOT
4013	WG03A01951	SOPORTE CAJON
4014	WG03A01950	SUPPORT SLIDE ASM LF / MONOGRAM
4015	WG03A01949	SUPPORT SIDE ASM R / MONOGRAM
4016	WR32X10121	VEG PAN BASKET ASM
4016	WG03F00669	VEG PAN BASKET ASM
4017	WG03L00216	SUPPORT VEG BASKET ASM
4017	WG03L00216	SUPPORT VEG BASKET ASM
4018	WG03F04098	DIVIDER CENTER ASM / MONOGRAM
4019	WG03A00056	WASHER SHOWCASE PIVOT
4021	WG03F00034	BASE CHANNEL ASM LH
4021	WG03L10110	BASE CHANNEL ASM LH
4022	WG03L05940	BASE CHANNEL ASM RH
4023	WG03L05908	LLANTA FRONTAL
4024	WG03F00769	LEVELING LEG
4024	WG03F00389	LEVELING LEG

Distribuidor Autorizado

**SurteRápido.com**

Venta de Refacciones  
Electrodomesticas

# CONGELADOR ZIFS360NNBLH

Guía	Refacción	Descripción
4025	WG03A00253	RESORTE DE ESPIRAL
4027	WG03L11516	RECUBRIMIENTO LATERAL DER. REF
4028	WG03F08861	TABLERO CTRL TEMP Y CARCASA
4030	WG03L04423	BASE SHAFT
4031	WG03F00691	WHEEL REAR ASM
4100	WG03L05572	COVER IM ASM
4103	WG03L06051	COVER ICE BUCKET ASM
4104	WG03L06047	VENTANA CAJON
4106	WG03L01020	RIEL
4107	WG03L01021	RIEL
4108	WG03A01953	SUPORT ASS SNACK PAN / MONOGRA
4109	WG03L00664	SLIDE SUPPORT LOWER SD
5000	WG03F04340	CONDENSADOR
5001	WR17X10694	BAFFLE COND AIR
5002	WG03F04226	FOAM CONDENSER BAFFEL / MONOGR
5005	WG03F03801	TUBE JUMP SUCT COMP ASM
5006	WG03F03803	TUBE JUMP CAP DRYER
5008	WG03A00867	GROMMET
5009	WG03A01623	SUJETADOR COMP
5011	WG03F03799	TUBE PROCESS DRYER
5012	WG03L05135	KEEP OUT LT SW LH
5013	WG03L05117	RETAINER SYSTEM PAN
5013	WG03F03480	RETAINER SYSTEM PAN
5014	WG03L05386	SYSTEM PAN ASM
5015	WG03F04232	TAPA COND
5016	WG03F04184	TUBO DESCARGA
6005	WG04A02340	SCR 8-16X2 SS
6013	WG03A00431	SCREW
6013	WR01A01049	SCREW
7565	WG03L10742	PARRILLA INOXIDABLE
7835	WG03F03798	CLOSURE MECH LH
9587	WR01F01921	VENTILADOR ENSAMBLE
9999	WG03A02207	ASM OUTIL ANTI-BACSULEMENT