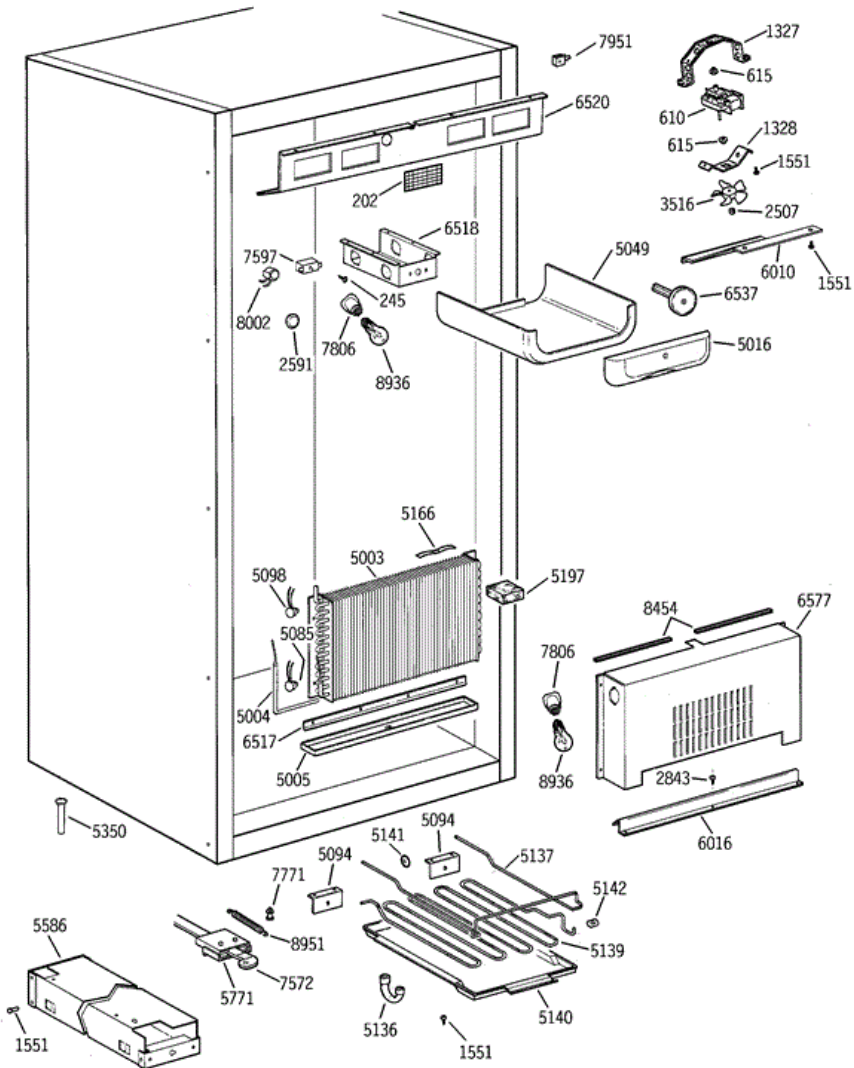


ZIFS36NDALH CABINET



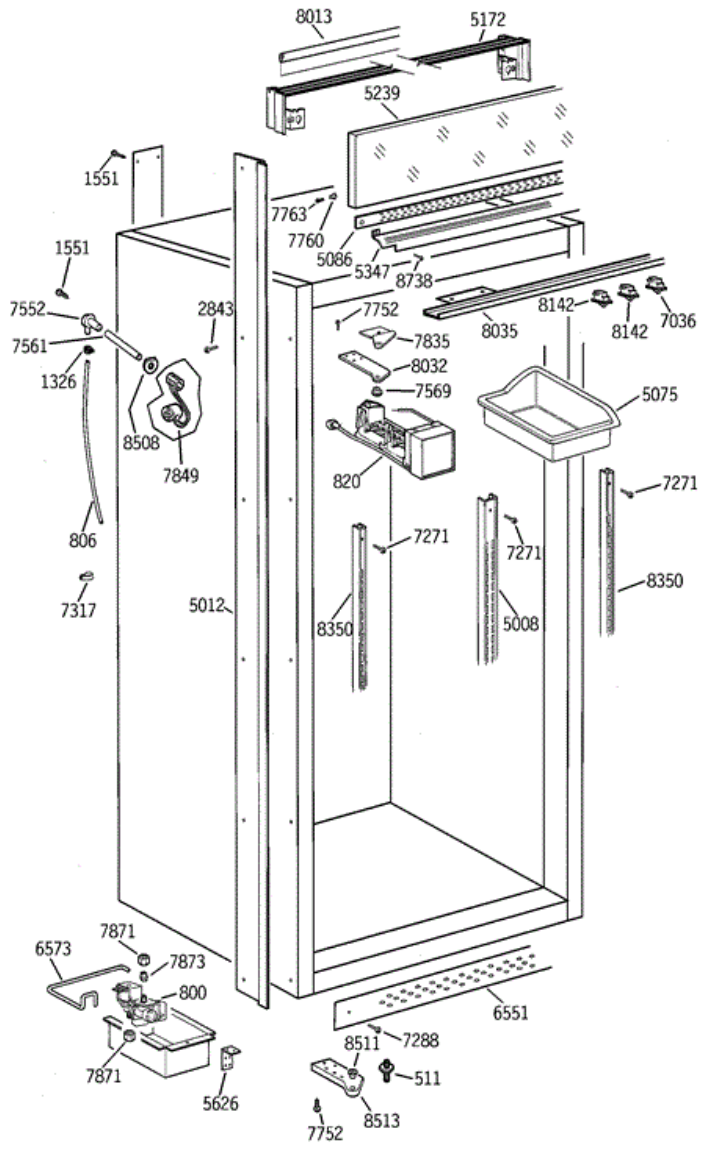


ZIFS36NDALH CABINET

202	WR02X8629	GRILLE ICE SERV SNAP-IN
245	WR01X5644	SCREW-CONTROL
610	WR60X0190	MOTOR EVAP FAN
615	WR02X7391	GROMMET
1327	WR02X8806	BRACKET FAN REAR
1328	WR02X8805	BRACKET FAN FRONT
1551	WR01X5645	SCREW IM STRAP, PAN
2507	WR02X3198	RING COMPRESSION
2591	WR02X10154	PLUG BUTTON #413 I/M
2843	WR01X1903	SCREW CASE TRIM
3516	WR60X10050	BLADE FAN MOTOR
5003	WR85X10017	EVAP COIL
5004	WR51X10036	DEFROST HEATER 36 SD
5005	WR17X10648	EVAP TROUGH
5016	WR17X10650	CONTROL PANEL
5049	WR17X10651	LIGHT SHIELD UPPER
5085	WR50X10022	THERMOSTAT FZ FAN
5094	WR02X10524	PAN STOP
5098	WR50X10023	THERMOSTAT FZ HEATER
5136	WR17X10675	DRAIN TRAP AUX. COND.
5137	WR17X10676	SUPPORT DRAIN PAN
5139	WR84X10024	CONDENSER AUXILLIARY
5140	WR17X10674	DRAIN PAN AUX. COND.
5141	WR01X10180	FASTENER PAN SUPPORT
5142	WR02X10525	SUPPORT CLAMPS
5166	WR01X10045	WIRE RETAINER EVAP HEATE
5197	WR02X10145	BAFFLE EVAP LH
5350	WR17X10655	DRAIN TUBE
5586	WR13X0670	BASE ASM (LH)
5771	WR02X9468	CLOSURE FZ DOOR
6010	WR17X10689	EVAPORATOR FAN MTR. MTG.
6016	WR17X10653	EVAP TROUGH CATCH
6517	WR17X10646	DRAIN BAFFLE

6518	WR74X10046	LIGHT BRACKET
6520	WR17X10647	REAR DUCT 36 SD FZ
6537	WR02X10476	FZ CONTROL KNOB ASM
6577	WR74X10048	EVAPORATOR COVER
7572	WR02X8925	ACTUATOR ARM FF
7597	WR09X0509	TEMP CONTROL FZ
7771	WR01X1839	BUSHING HINGE SPRING ASM
7806	WR02X8928	LIGHT SOCKET
7951	WR02X10151	TWIST SUPPORT
8002	WR50X10024	THERMODISC, DEFROST FF
8454	WR38X10190	EDGE TRIM 1.125"
8936	60A	LAMP 60W APPL
8951	WR02X10526	SRING DOOR CLOSURE FF 48

ZIFS36NDALH CABINET





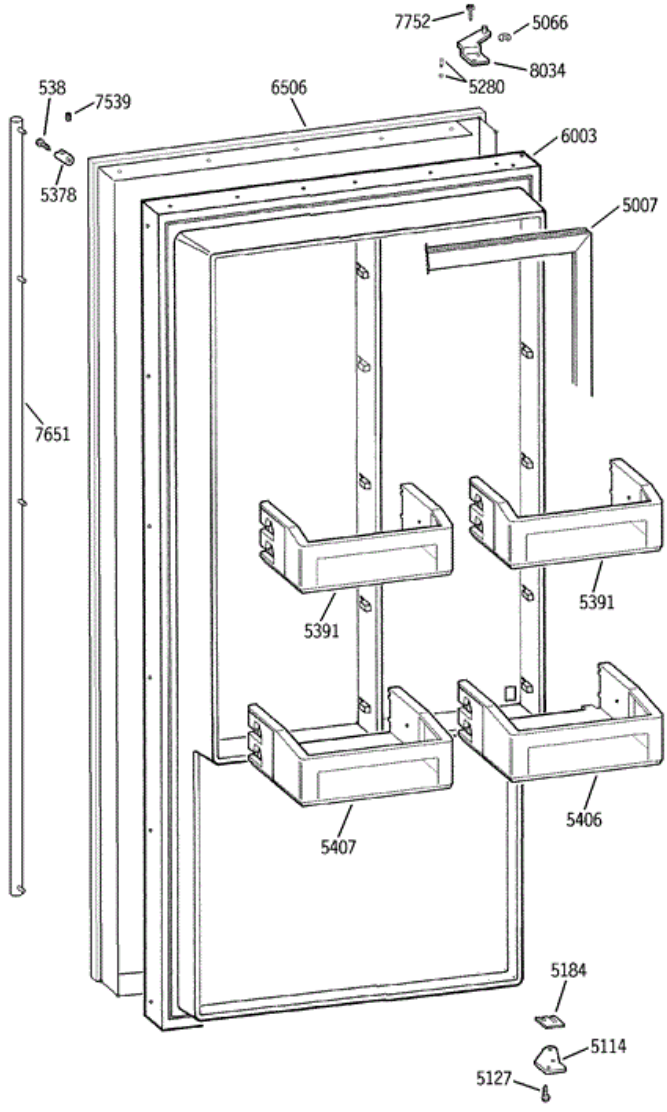
ZIFS36NDALH CABINET

511	WR01X10175	HINGE PIN, BOTTOM (ADJ.)
800	WR57X0095	UNKNOWN
806	WR17X2107	WATER LINE
820	WR30X0327	IM CRESCENT
1326	WR02X3736	STR RELIEF
1551	WR01X5645	SCREW IM STRAP, PAN
2843	WR01X1903	SCREW CASE TRIM
5008	WR17X10649	SHELF TRACK CENTER
5012	WR17X10459	CASE TRIM LH
5075	WR32X10075	ICE BUCKET
5086	WR02X10142	VENT GUARD 36BM
5172	WR74X10050	VENT TOP ASM
5239	WR74X10052	GRL PNL 36L SOFFET=84.5"
5239	WR74X10158	GRL PNL 36L SOFFET=84"
5239	WR74X10213	GRL PNL 36L SOFFET=83.5"
5347	WR02X10148	WIRE GUARD LH
5626	WR02X8605	BRACKET WATER VALVE
6551	WR74X10047	TOE KICK 36 SD LH
6573	WR02X10477	INLET, WATER VALVE
7036	WR23X10140	SWITCH AUG #780101
7271	WR01X10051	10-24*7/8 PHIL P-HD TAP
7288	WR01X1831	SCREW
7317	WR17X3046	CLAMP NYLON 1/4"
7552	WR02X8614	GROMMET ICEMAKER
7561	WR02X8612	FILL TUBE ICEMAKER
7569	WR02X8587	BUSHING TOP HINGE
7752	WR01X1845	BOLT HINGE
7760	WR01X1900	8-32*5/16 TRUSS HD BARRE
7763	WR01X1901	8-32*1/4 PHIL TRUSS M/S
7835	WR13X10080	HINGE COVER LH
7849	WR51X10056	FILL TUBE HTR 10W
7871	WR57X10016	COMPRESSION NUT 1/4
7873	WR57X10017	BRASS FERRULE

8013	WR02X8972	VENT TOP GASKET FRONT
8032	WR13X10081	TOP CASE HINGE LH
8035	WR17X10661	GRILLE BASE 36 SD SS
8142	WR23X0475	ROCKER SW 200W
8350	WR17X4140	TRACK SHELF FF
8508	WR01X10176	GASKET GROMMET
8511	WR02X10483	BUSHING, FF HINGE
8513	WR13X10099	HINGE BTM. CASE RH/LH
8738	WR01X10053	#8-18 TYPE AB X 3/8 BLK



ZIFS36NDALH FREEZER DOOR

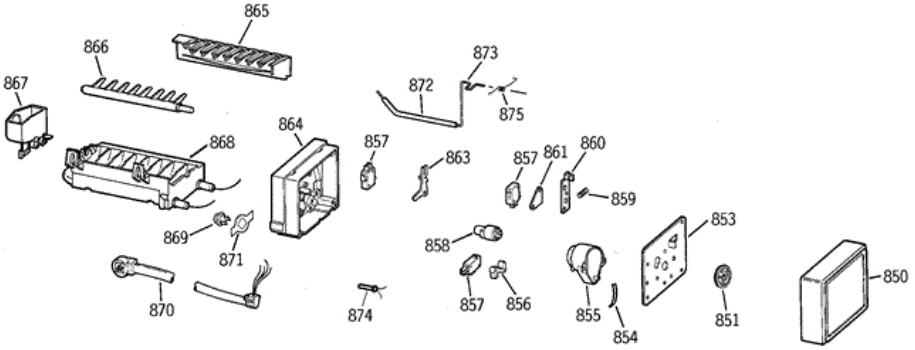




ZIFS36NDALH FREEZER DOOR

538	WR01X10057	SCREW #10-32X3/4 CR TR H
5007	WR24X10042	DOOR GASKET
5066	WR02X10022	HINGE BSHNG SPACER .060
5114	WR13X10085	HINGE DOOR BTM. LH
5127	WR01X10177	HINGE SCREW DOOR BTM.
5184	WR01X10054	HINGE SHIM
5280	WR02X10441	FF DOOR HINGE STOP & NUT
5378	WR02X10165	STAND-OFF SS
5391	WR71X10138	BIN, FF DOOR W/WINDOW
5406	WR71X10139	BIN, DOOR FF DEEP RH
5407	WR71X10140	BIN, DOOR FF DEEP LH
6003	WR78X10325	FF/FZ DOOR ASM LH/SS
6506	WR97X10020	DOOR WRAP LH/SS
7539	WR01X10026	SCREW SET #10-32
7651	WR12X10068	HANDLE W/SET SCREW ASM
7752	WR01X1845	BOLT HINGE
8034	WR13X10082	HINGE DOOR TOP 36SD LH

ZIFS36NDALH ICE MAKER

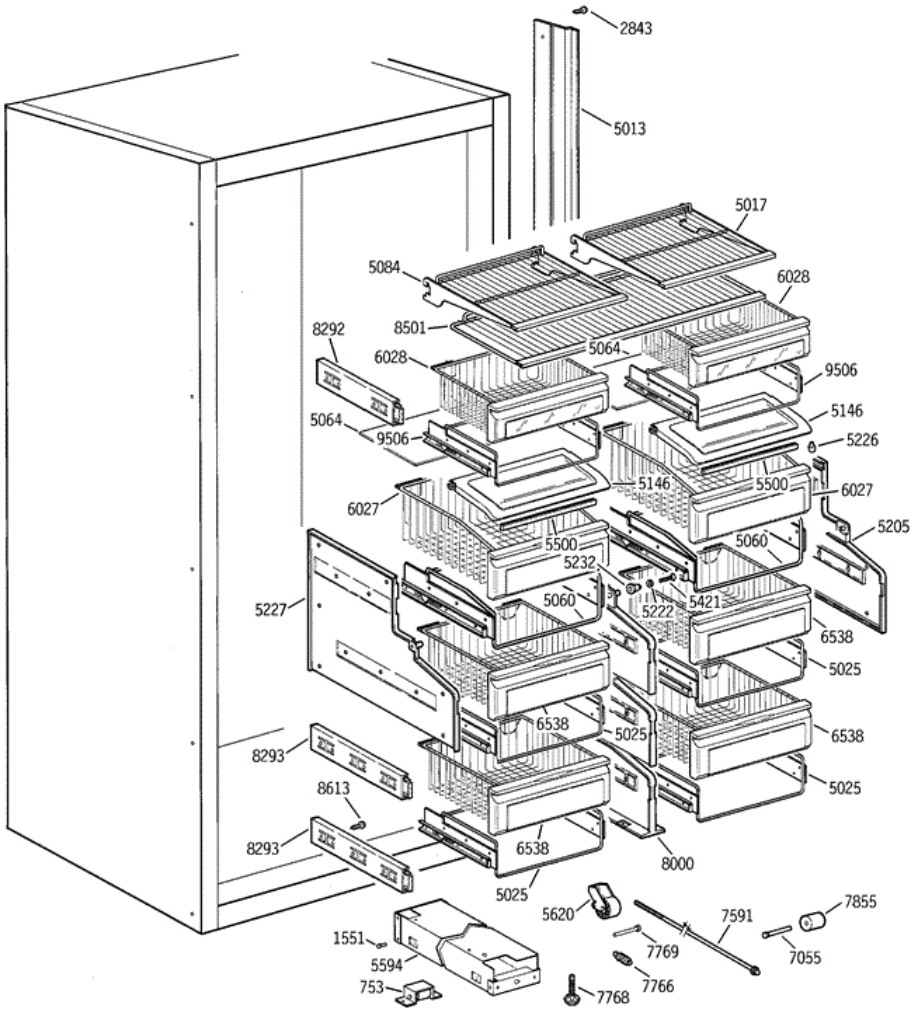




ZIFS36NDALH ICE MAKER

850	WR29X0182	COVER WH
851	WR29X5162	GEAR
853	WR29X10005	MOUNTING PLATE
854	WR29X10002	SPRING BEAM
855	WR29X10001	MOTOR
856	WR29X5118	SPACER HOLDING SWITCH
857	WR29X5171	SWITCH IM
858	WR29X5167	CAM
859	WR29X5190	SPRING
860	WR29X5114	PLATE VALVE SWITCH
861	WR29X5188	INSULATOR
863	WR29X5183	LEVER
864	WR29X0183	HOUSING
865	WR29X0160	STRIPPER
866	WR29X5174	EJECTOR
867	WR29X0153	BRNG INLET(FILL CUP)
868	WR29X0204	MOLD/HEATER ASM
869	WR29X0157	THERMOSTAT
870	WR29X0186	WIRE HARNESS
871	WR29X0158	CLAMP THERMOSTAT
872	WR29X5128	SLEEVE VINYL
873	WR29X5129	ARM SHUT OFF
874	WR29X0185	THERMAL CUT-OFF
875	WR29X5181	SPRING-FEELER ARM

ZIFS36NDALH SHELVES

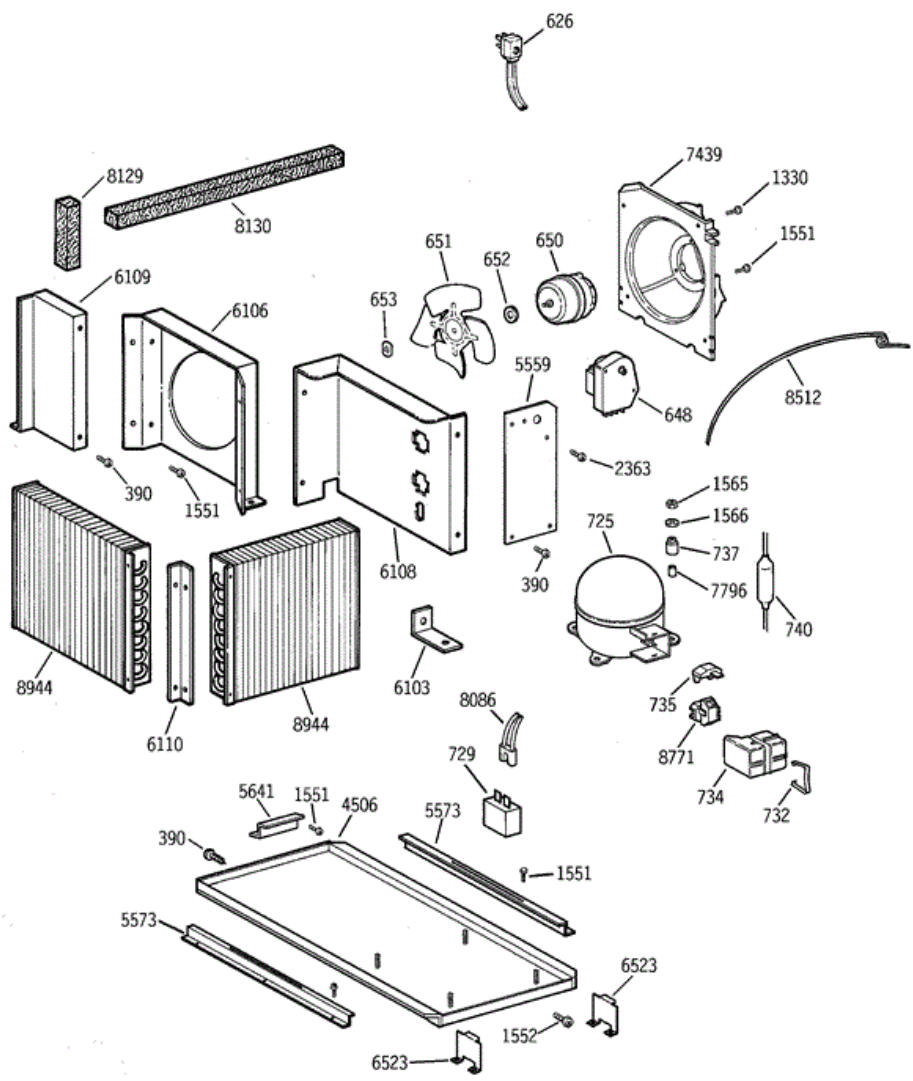




ZIFS36NDALH SHELVES

753	WR02X10490	FRONT WHEEL ASM.
1551	WR01X5645	SCREW IM STRAP, PAN
2843	WR01X1903	SCREW CASE TRIM
5013	WB02X8635	CASE TRIM RH
5017	WR71X10223	FZ WIRE CANT SHELF
5025	WR72X10046	SUPP. VEG BASKET WIRE
5060	WR72X10043	PAN SUPPORT VEG
5064	WR32X10073	VEG PAN COVER
5084	WR71X10225	SHELF CANT FZ - ICE BUCK
5146	WR32X10119	SHOWCASE LID VEG PAN
5205	WR72X10012	SUPPORT, SLIDE RH
5222	WR01X10046	WASHER SHOWCASE PIVOT
5226	WR01X10047	BUTTON GLIDE
5227	WR72X10013	SUPPORT, SLIDE LH
5232	WR01X10048	BUSHING, SHOWCASE PIVOT
5421	WR01X10050	SCREW, #8 18 X 3/4
5500	WR14X10040	SEAL FRONT SHOWCASE LID
5594	WR13X0671	BASE ASM (RH)
5620	WR02X8377	MOBILITY FRONT ASM
6027	WR21X10012	VEG BASKET ASM UPPER
6028	WR32X10120	SNACK BASKET ASM
6538	WR32X10121	VEG BASKET ASM LOWER
7055	WR02X10478	AXLE WHEEL
7591	WR01X1851	BASE SHAFT
7766	WR02X8799	SPRING WHEEL #LE022C4
7768	WR02X10479	LEVELING LEG
7769	WR02X8800	AXLE REAR
7855	WR02X10480	WHEEL MOBILITY
8000	WR72X10045	DIVIDER - CENTER, VEG PA
8292	WR72X0269	SLIDE ASM RACK 10"
8293	WR72X0270	SLIDE SNACK PAN 12"
8501	WR71X10224	SNACK PAN WIRE COVER
9506	WR72X10044	PAN SUPPORT SNACK

ZIFS36NDALH UNIT





ZIFS36NDALH UNIT

390	WR01X1826	SCREW
626	WR23X0108	CORD POWER ASM
648	WR09X0502	CONTROL DEFROST
650	WR60X0187	MOTOR COND FAN
651	WR60X0212	BLADE COND FAN ASM
652	WR01X1714	WASHER, CUSHION
653	WR01X1715	NUT COND. MOTOR
725	WR87X0471	HIGH SIDE ASM
729	WR62X0079	CAPACITOR
732	WR02X7226	CLAMP RELAY COVER
734	WR02X7834	COVER RELAY
735	WR08X10022	OVERLOAD 4TM412MFBYY
737	WR02X7238	GROMMET COMP MTG
740	WR86X0096	DRYER BIFURCATED XH9
1330	WR01X1716	SCREW FAN MOTOR
1551	WR01X5645	SCREW IM STRAP, PAN
1552	WR02X8081	PLUG BUTTON
1565	WR01X10044	1/4-20 HEX NUT
1566	WR01X5702	WASHER
2363	WR01X5684	SCREW-HOUSING
4506	WR17X10645	REFRIGERATION PAN
5559	WR17X3045	BAFFLE FRONT W/FG
5573	WR02X8610	BRACKET ROLLER MTG
5641	WR02X10536	SYSTEM PAN RETAINER
6103	WR02X10537	BRKT. COND. MTG.
6106	WR17X10678	FZ. COND. SHROUD
6108	WR17X10679	FZ. FRONT BAFFLE
6109	WR17X10677	FZ COND. BACK COVER
6110	WR02X10538	BRKT. COND CONNECTING
6523	WR02X11837	FT PAN BRACKET
7439	WR17X3047	HOUSING COND FAN
7796	WR01X5648	SCREW
8086	WR23X0474	HARNESS CAPACITOR

8129	WR14X10042	COND SIDE BAFFLE FOAM
8130	WR14X10043	COND TOP BAFFLE FOAM STR
8512	WR86X10009	CAP/SUCTION TUBE ASM FZ
8771	WR07X10026	RELAY PTCR
8944	WR84X10021	CONDENSER ASM 36 SD