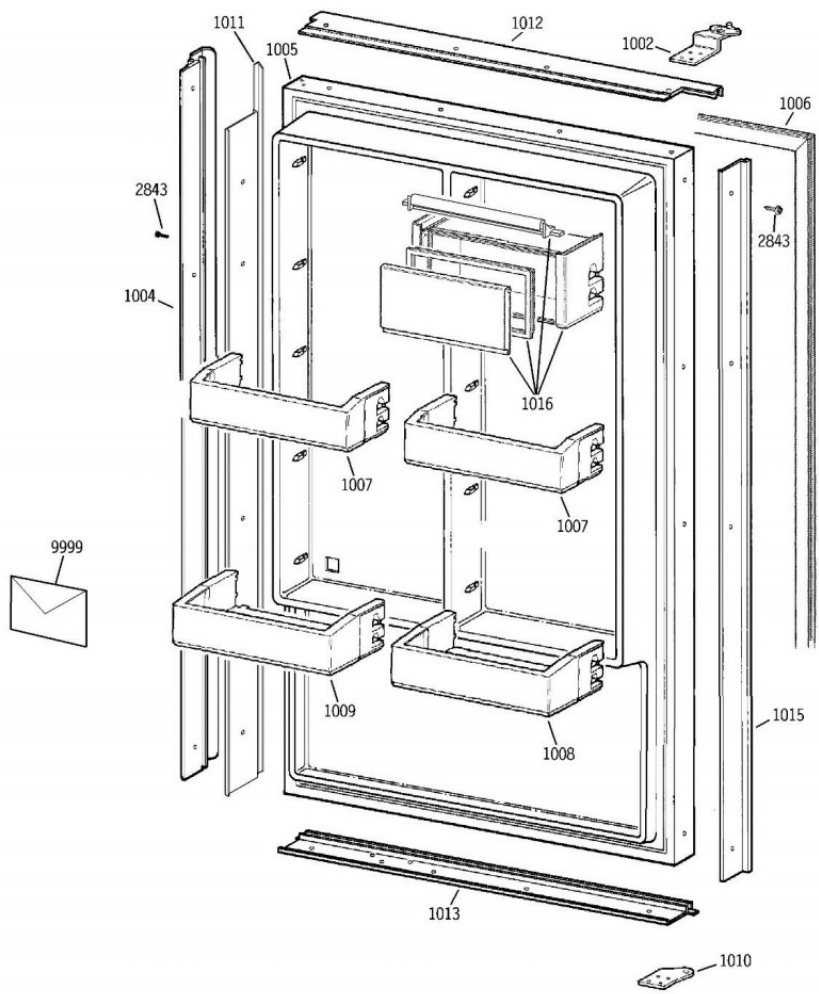


Refrigerador GE ZIR360NXALH

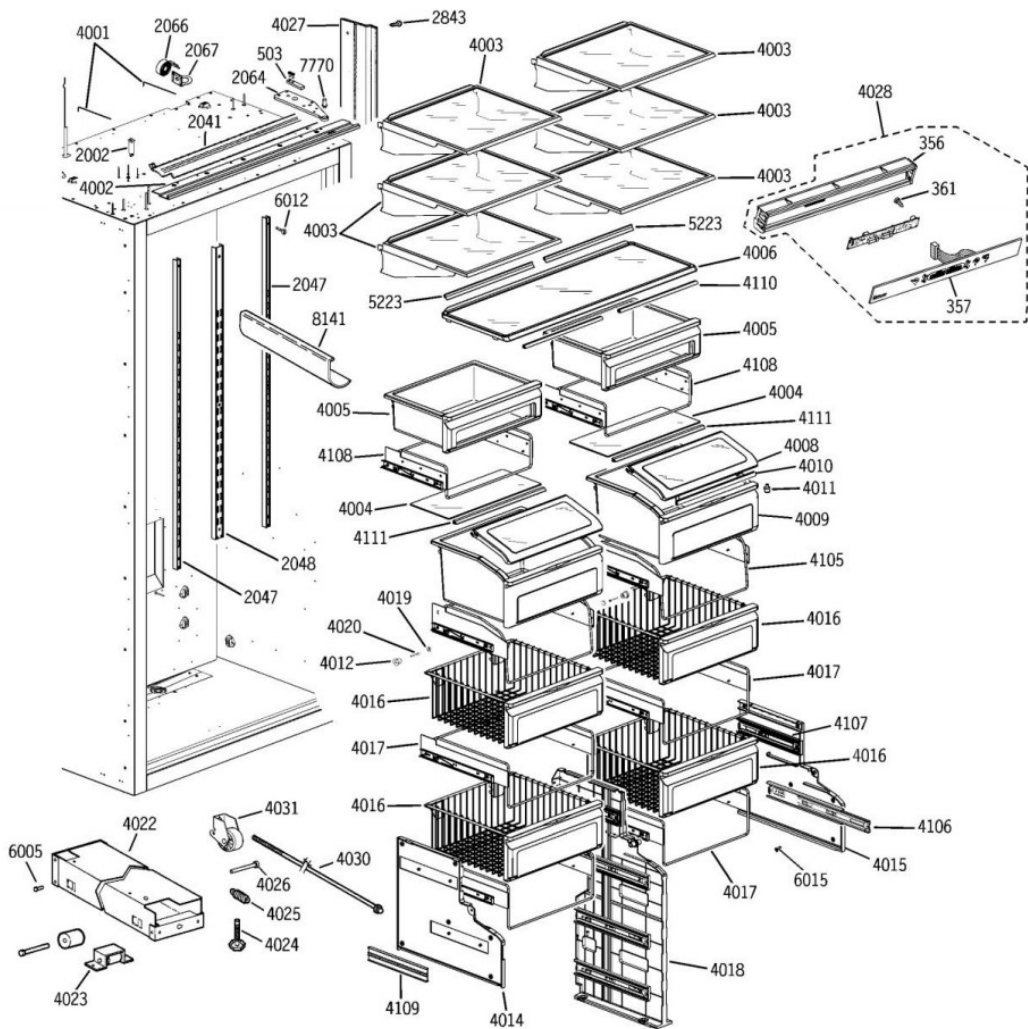


Distribuidor Autorizado

SurteRápido.com

Venta de Refacciones
Electrodomesticas

Refrigerador GE ZIR360NXALH

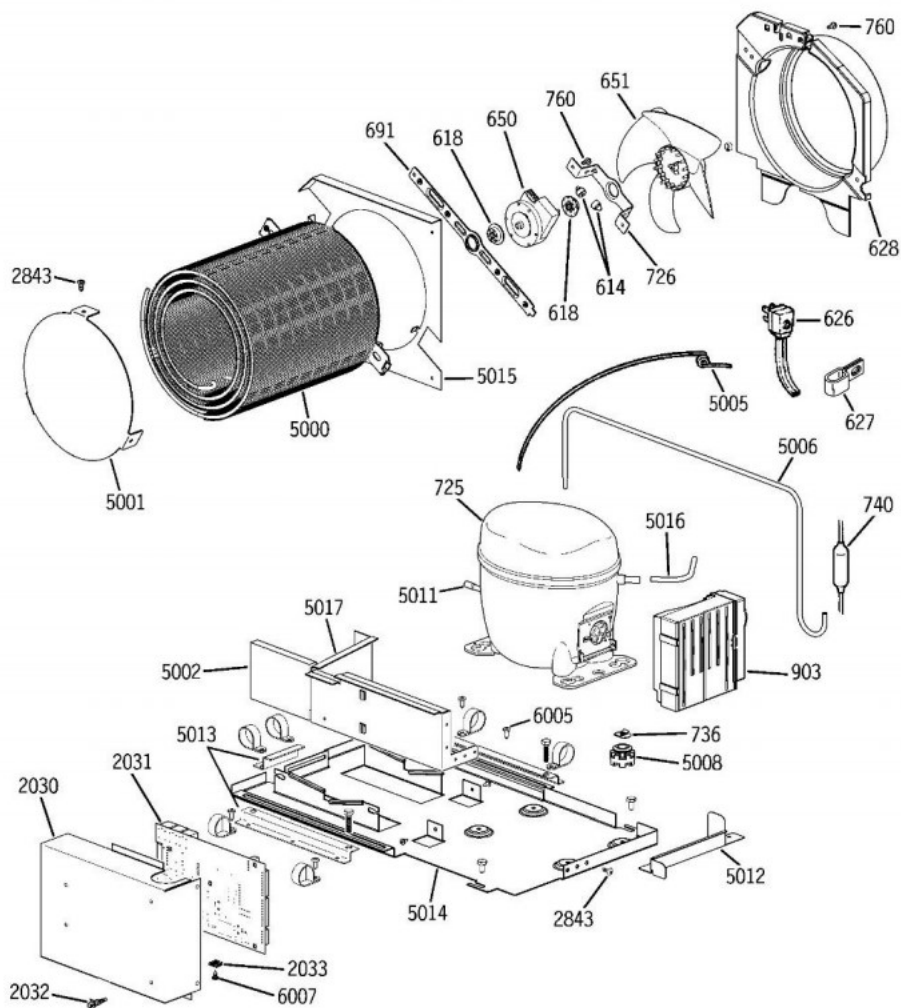


Distribuidor Autorizado

SurteRápido.com

Venta de Refacciones
Electrodomesticas

Refrigerador GE ZIR360NXALH





Refrigerador GE ZIR360NXALH

Guía	Componente	Descripción
1	WR23X10300	CORD POWER ASM
3	WR02X13308	LUZ DE HALOGENO
10	WR01X10065	SCR 8-18 BA POR 5/8 SS
201	WR02X10953	BUSHING HINGE BOTTOM
202	WR13X10239	HINGE PIN
229	WR02X10552	CLIP EVAP THERMISTOR
309	WR17X12689	ENS. LUCES INF DER.
326	WR02X11198	QC HALOGEN LAMP ASM
356	WR17X12676	SOPORTE CONTROL
357	WR02X13019	MEMBRANE SD FF
361	WR02X11200	4-40 X 1/4 PH SMS
503	WR02X13032	ESPACIADOR
509	WR02X10479	LEVELING LEG
514	WR02X11233	RESORTE DE ESPIRAL
528	WR01X10186	BASE SHAFT
539	WB02X10830	MG LOGO LARGE PINNED
543	WR23X10269	FUSIBLE 2 AMP
550	WR01X10370	SCREW
611	WR02X10764	SOPORTE EVAPORADOR VENTILADOR
613	WR60X10208	BLADE EVAP FAN ASM
615	WR17X12252	GROMMET EVAPORADOR VENTILADOR
623	WR01X10046	WASHER SHOWCASE PIVOT
627	WR01X10047	BUTTON M
627	WR01X5278	CLAMP CABLE
650	WR60X10140	MOTOR AC/DC COND FAN
653	WR02X10322	CAP DUST
724	WR02X10520	GROMMET FAN MOTOR
725	WR87X10199	COMPRESOR



Refrigerador GE ZIR360NXALH

Guía	Componente	Descripción
726	WR02X11863	BRACKET COND FAN (MTG)
726	WR02X10593	SOPORTE POSTERIOR CONDENSADOR
727	WR60X10206	BLADE CONF FAN ASM
729	WR17X11252	CUBIERTA CONDENSADOR
730	WR01X10317	TORNILLO 8-32
735	WR23X10571	MASTER LIGHT SWITCH
736	WR02X8203	CLIP COMPRESSOR MOUNT
740	WR86X10030	DRYER BIFURCATED HX9
750	WR01X1826	#8-18 TYPE AB X 3/8 PH P
849	WR02X10540	BUMPER LID
853	WR01X10879	BUSHING ARM
858	WR01X10051	SCREW SHELF TRACK
862	WR02X10653	SOPORTE VENTILADOR
864	WR02X12008	GROMMET EVAP FAN
903	WR55X10685	INVERTER ASM COMP MOUNT
903	WR49X10283	INVERTER ASM COMP MOUNT
1002	WR13X10210	HINGE DOOR TOP FF LH
1004	WR12X10948	POIGNÉE
1005	WR78X12371	DOOR FOAMED ASM SD FF/FZ
1006	WR24X10150	GASKET DOOR SD
1007	WR71X10138	BIN FF DOOR
1008	WR71X10139	BIN, DOOR FF DEEP RH
1009	WR71X10140	BIN DOOR FF
1010	WR13X10657	BISAGRA PUERTA
1011	WR38X10440	ENJOLIVEUR DE LA POIGNÉE
1012	WR17X12706	ENJOLIVEUR SUPÉRIEUR GAUCHE
1013	WR17X12707	ENJOLIVEUR INF. G.
1015	WR12X10953	HANDLE TRIM ASM LH



Refrigerador GE ZIR360NXALH

Guía	Componente	Descripción
1327	WR02X13024	SOPORTE VENTILADOR
1328	WR02X13011	SOPORTE VENTILADOR LH
2001	WR02X13008	WALL MOUNTING BRACKET
2003	WR74X10309	SOPORTE LUCES IZQ
2005	WR74X10308	SOPORTE LUCES DER
2006	WR02X10154	TAPA BOTON
2008	WR17X12701	TOP CEILING ASM / MONOGRAM
2009	WR02X13035	VENTANILLA SD
2010	WR17X12677	CEILING LIGHT SHIELD /MONOGRAM
2011	WR60X10284	MOTOR DC EVAP FAN ASM
2012	WR01X10884	AGRAFE CHAUFFANT
2013	WR02X13221	TUBE JUMP SUCT EVAP ASM
2014	WR85X10017	EVAP COIL
2015	WR51X10113	RESISTENCIA DES.
2016	WR17X12683	DRAIN BAFFLE
2017	WR17X12684	EVAPORATOR TROUGH
2018	WR17X12692	CUBIERTA EVAPORADOR
2020	WR74X10306	EVAP COVER ASM
2021	WR17X12711	BANDEJA EVAPORADOR
2022	WR17X10655	DRAIN TUBE MONOGRAM
2024	WR02X13038	PAN PROTECTOR REAR COVER/MONO
2025	WR17X12685	PAN PROTECTOR
2026	WR84X10093	CONDENSER BOTTOM SD
2027	WR17X11016	DRAIN PAN
2028	WR02X10979	LINK ACTUATOR LH, MONOGRAM
2030	WR02X13021	CUBIERTA TARJETA
2031	WR55X10922	BOARD ASM MAIN CONTROL
2032	WR02X13026	SUJETADOR TARJETA



Refrigerador GE ZIR360NXALH

Guía	Componente	Descripción
2033	WR02X13025	NUT-U
2038	WR01X10906	WASHER 3/8
2039	WR02X13216	HAIRPIN COTTER
2040	WR02X13018	GRILL FF
2041	WR02X13005	CEJA LH
2046	WR08X10106	TRIM CASE
2047	WR17X12680	SOPORTE PARRILLAS LATERAL
2048	WR17X12681	SOPORTE PARRILLAS CENTRAL
2050	WR23X0475	SWITCH PUERTA
2056	WR13X10688	LOWER CASE HINGE LH&RH / MONOG
2058	WR74X10315	TOE KICK
2060	WR60X10306	DRAIN FAN BRACKET ASM
2061	WR02X12566	BRACKET VENTILADOR
2062	WR09X10180	HARNES HEATERS TOD, MONOGRAM
2064	WR13X10656	HINGE FF UPPER, MONOGRAM
2066	WR62X10073	TRANSFORMER LIGHT 160VA
2067	WR01X10881	SOPORTE LUZ
2843	WR01X10484	8-32 X 5/8" PH SS TCS
3522	WR01X10752	BOLT SHOULDER FF DOOR, MONOGRA
3542	WR01X10856	SPRING CLOSURE
3542	WR01X10255	SPRING CLOSURE
4001	WR74X10326	ROD
4002	WR17X12776	SWITCH PLATE LH
4006	WR32X10726	ANAQUEL DE SNACK
4006	WR32X10727	ENS. CUBIERTA CAJON
4008	WR32X10119	SHOWCASE LID VEG PAN
4009	WR32X10725	PAN ASM, MONOGRAM
4010	WR14X10040	SEAL FRONT SHOWCASE LID



Refrigerador GE ZIR360NXALH

Guía	Componente	Descripción
4014	WR72X10322	SUPPORT SLIDE ASM LF / MONOGRA
4015	WR72X10321	SUPPORT SIDE ASM R / MONOGRAM
4016	WR32X10729	VEG PAN BASKET ASM
4016	WR32X10121	VEG PAN BASKET ASM
4017	WR72X10328	SUPPORT VEG BASKET ASM
4018	WR72X10320	DIVIDER CENTER ASM / MONOGRAM
4021	WR13X10694	BASE CHANNEL ASM LH
4022	WR13X10693	BASE CHANNEL ASM RH
4023	WR02X13042	LLANTA FRONTAL
4026	WR02X10478	EJE RUEDA
4027	WR08X10107	TRIM LATERAL
4028	WR55X10928	ENSAMBLE TARJETA INTERFAZ
4105	WR72X10324	SUPPOR PAN ASM / MONOGRAM
4106	WR72X10365	RIEL
4107	WR72X10366	RIEL
4108	WR72X10325	SUPORT ASS SNACK PAN / MONOGRA
4109	WR72X10367	SLIDE SUPPORT LOWER SD
5000	WR84X10092	CONDENSADOR
5002	WR17X12691	INSULATION BAFFLE COND
5005	WR02X13220	TUBE JUMP SUCT COMP ASM
5006	WR02X13222	TUBE JUMP CAP DRYER
5008	WR02X10678	GROMMET
5011	WR02X13215	TUBE PROCESS DRYER
5012	WR02X13218	KEEP OUT LT SW LH
5013	WR02X12767	RETAINER SYSTEM PAN
5014	WR17X12774	SYSTEM PAN ASM
5015	WR17X12682	TAPA COND
5016	WR01X10880	TUBO DESCARGA



Refrigerador GE ZIR360NXALH

Guía	Componente	Descripción
5017	WR17X12688	BAFFLE COND, MONOGRAM
5065	WR32X10074	ENCAP SHELF ASSY
5180	WR71X10142	ASSY DAIRY COMP
5220	WR14X10009	SEAL PAN M
5223	WR14X10011	SEAL PAN M
5225	WR14X10012	SEAL PAN M
5232	WR01X10048	BUSHING SHOWCASE PIVOT
5413	WR32X10731	SNACK PAN ASM
5413	WR32X10078	SNACK PAN ASM
5421	WR01X10050	SCREW #8 18 X 3/4
5620	WR02X10137	WHEEL MOBILITY
6004	WR01X10620	TORNILLO 10-32 CA HXWS 9/16 S
6005	WD02X0295	SCR 8-16X2 SS
6015	WR01X10449	SCREW 6X1/2 PAN PHIL H/L
7573	WR01X10258	STUD SPRING FF DOOR
7770	WR13X10478	SHEAR PIN
7835	WR02X13213	CLOSURE MECH LH
7951	WR02X12585	TWIST SUPPORT
8141	WR17X10660	WINE RACK CLEAR LEXAN
8454	WR38X10190	TRIM
8665	WR01X10188	SCR TRIM (SELF DRILLING)
8738	WR01X10053	SCREW M
9587	WR60X10225	VENTILADOR ENSAMBLE
9999	WR49X10193	ANTI-TIP HARDWARE ASM