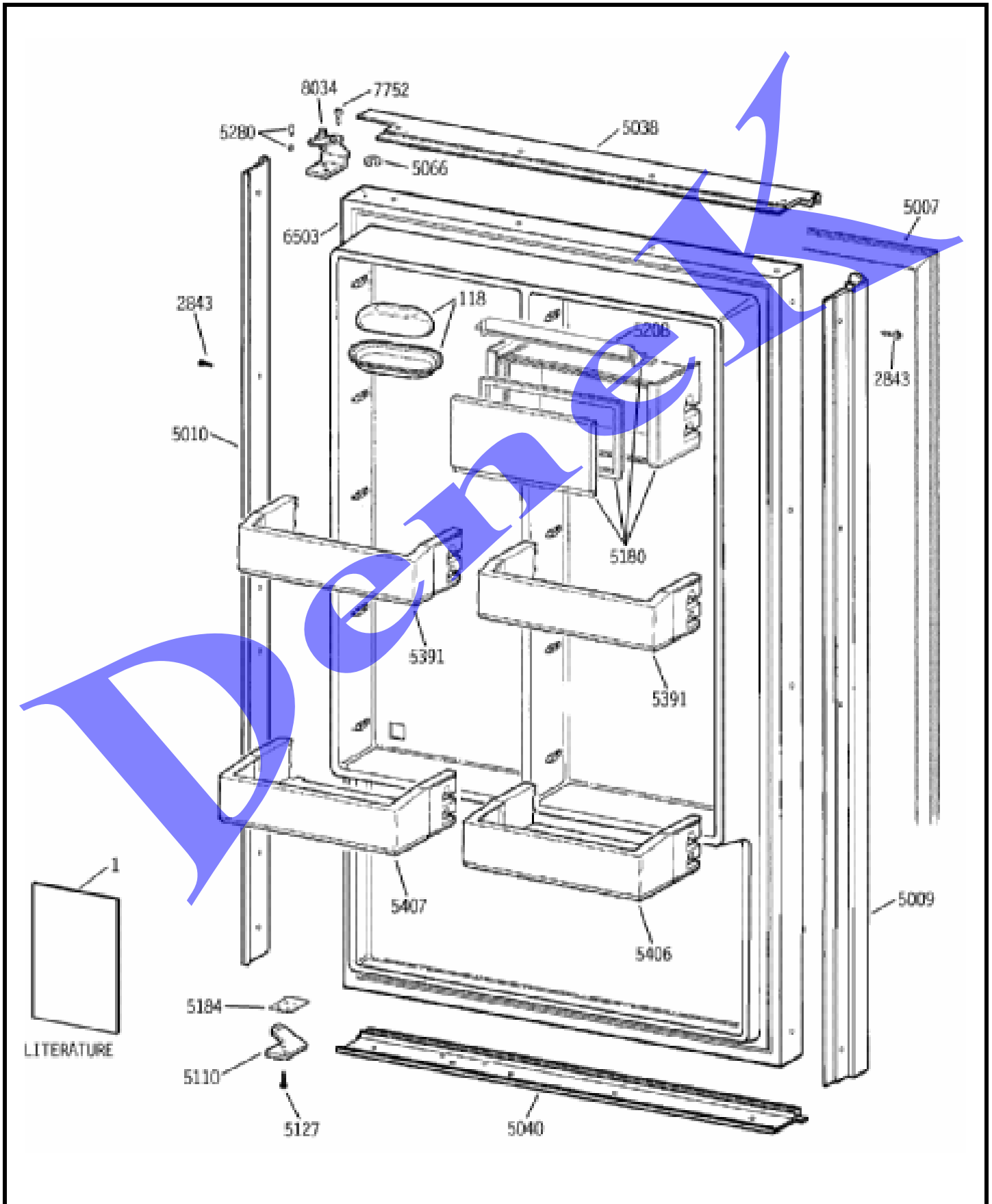


GENERAL ELECTRIC ZIR36NMARH

11437701



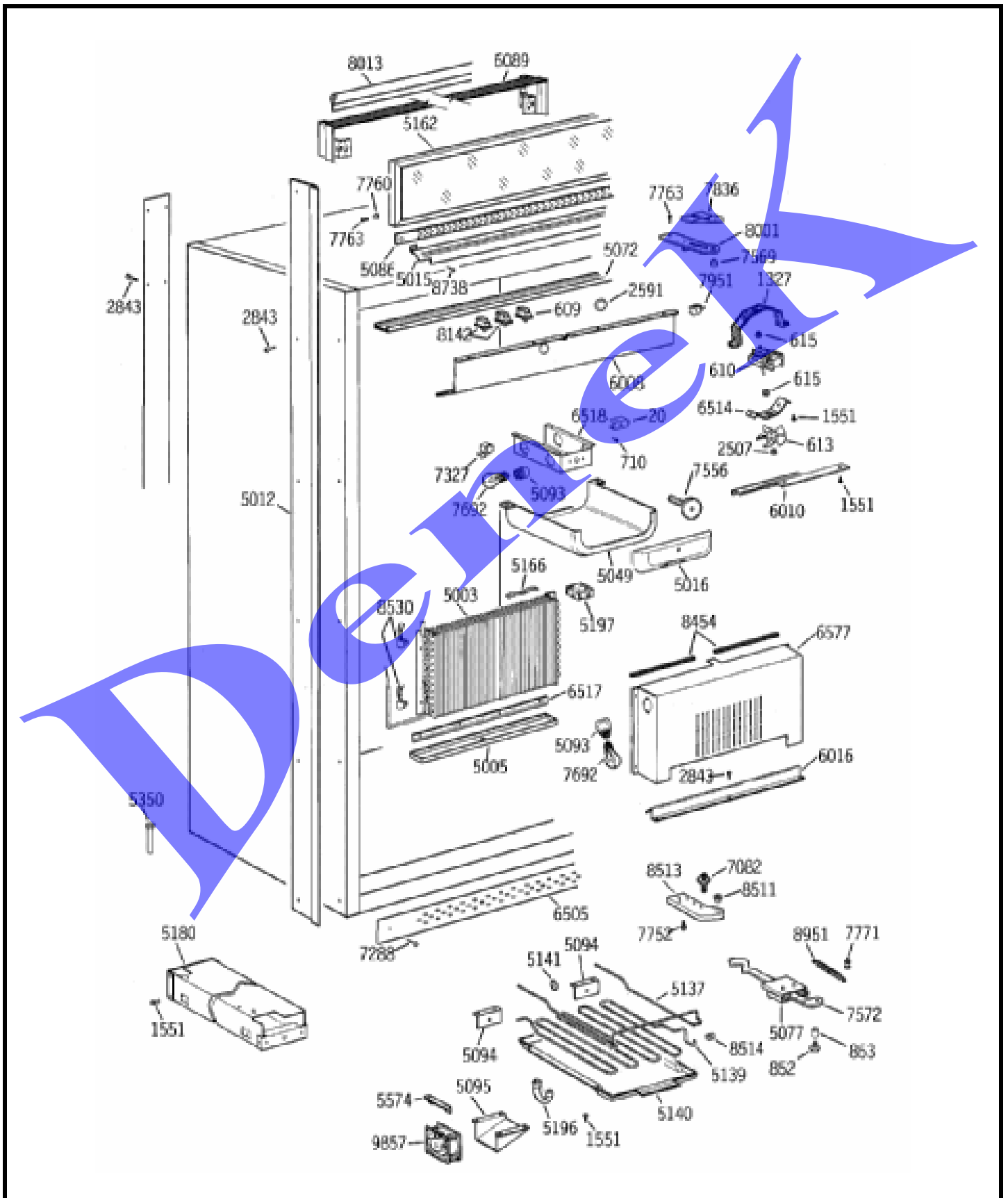
**GENERAL ELECTRIC ZIR36NMARH**

11437701

1	49-60055-1	CUSTOM OPTIONS GUIDE
1	49-60141	USE & CARE 36 SD REF
1	31-51379	MINI-MANUAL MG 36 SD REF
118	WR19X0035	DISH BUTTER ASM
2843	WR01X1903	SCREW CASE TRIM
5007	WR24X10042	DOOR GASKET
5009	WR12X10384	RH DOOR HANDLE
5010	WR17X10656	RH DOOR-HINGE SIDE TRIM
5038	WR17X10367	TRIM-DOOR TOP FF RH
5040	WR17X10369	TRIM-DOOR BTM FF RH
5066	WR02X10022	HINGE BSHNG SPACER .060
5110	WR13X10098	HINGE DOOR BTM. RH
5127	WR01X10177	HINGE SCREW DOOR BTM.
5180	WR71X10142	ASM DAIRY COMP
5184	WR01X10054	HINGE SHIM
5208	WR22X10007	SEAL DAIRY ASM
5280	WR02X10441	DOOR STOP/NUT FF HINGE
5391	WR71X10138	BIN, FF DOOR W/WINDOW
5406	WR71X10139	BIN, DOOR FF DEEP RH
5407	WR71X10140	BIN, DOOR FF DEEP LH
6503	WR78X10323	FF/FZ DOOR ASM RH
7752	WR01X1845	SCREW 12-24TT OHT .900
8034	WR13X10082	HINGE DOOR TOP 36SD LH

GENERAL ELECTRIC ZIR36NMAH

11437702



**GENERAL ELECTRIC ZIR36NMRH**

11437702

20	WR09X10039	TEMPERATURE CONTROL FF
609	WR23X10143	SWITCHLIGHT
610	WR60X10067	MOTOR AC/DC EVAP FAN
613	WR60X10055	BLADE EVAP FAN ASM
615	WR02X7391	GROMMET EVAP FAN
710	WR01X10370	SCREW, TOEKICK
852	WR01X10184	BOLT HINGE FF DOOR BTM.
853	WR01X10183	BUSHING FF DOOR BTM.
1327	WR02X8806	BRACKET EVAP. FAN LARGE
1551	WR01X5645	SCREW IM STRAP, PAN
2507	WR02X3198	RING EVAP. FAN COMPRESS
2591	WR02X10154	PLUG BUTTON #413 I/M
2843	WR01X1903	SCREW CASE TRIM
5003	WR85X10017	EVAP COIL
5005	WR17X10648	EVAP TROUGH
5012	WR17X10459	CASE TRIM LH
5015	WR02X10155	WIRE GUARD RH
5016	WR17X10650	CONTROL PANEL
5049	WR17X10651	LIGHT SHIELD UPPER
5072	WR17X10652	GRILL BASE 36 SD
5077	WR02X9467	CLOSURE FF DOOR RH
5086	WR02X10142	VENT GUARD 36BM
5093	WR02X11626	LIGHT SOCKET #3407B
5094	WR02X10524	PAN STOP
5095	WR17X10680	SHROUD FAN AUX. COND.
5137	WR17X10676	SUPPORT DRAIN PAN
5139	WR84X10024	CONDENSER AUXILLIARY
5140	WR17X10674	DRAIN PAN AUX. COND.
5141	WR01X10180	FASTENER PAN SUPPORT
5162	WR74X10016	PANEL FRAME ASM
5166	WR01X10045	WIRE RETAINER EVAP HEATE
5180	WR71X10142	ASM DAIRY COMP
5196	WR17X10355	DRAIN TUBE TRAP
5197	WR02X10145	BAFFLE EVAP LH
5350	WR17X10655	DRAIN TUBE
5574	WR02X10443	BTM MOTOR BRKT
6008	WR17X10658	REAR DUCT 36 SD FF
6010	WR17X10689	EVAPORATOR FAN MTR. MTG.
6016	WR17X10653	EVAP TROUGH CATCH
6089	WR74X10161	VENT TOP ASM
6505	WR74X10049	TOE KICK 36 SD RH
6514	WR02X11747	BRACKET EVAP. FAN SMALL
6517	WR17X10646	DRAIN BAFFLE
6518	WR74X10046	LIGHT BRACKET
6577	WR74X10048	EVAPORATOR COVER
7082	WR01X10187	ADJUSTABLE HINGE PIN
7288	WR01X1831	SCREW GRILLE MTG.
7327	WR50X10003	THERMOSTAT
7556	WR02X10495	FF CONTROL KNOB ASM
7569	WR02X8587	BUSHING TOP HINGE
7572	WR02X8925	ACT ARM FF
7692	60A	LAMP 60W APPL

7752	WR01X1845	SCREW 12-24TT OHT .900
7760	WR01X1900	8-32*5/16 BARREL NUT
7763	WR01X5690	SCREW
7771	WR01X1839	BUSHING HINGE SPRING ASM
7836	WR13X0639	HINGE COVER RH
7951	WR02X10151	TWIST SUPPORT
8001	WR13X10088	TOP CASE HINGE RH
8013	WR02X8972	VENT TOP GASKET FRONT
8142	WR23X0475	ROCKER SWITCH 200-WATT
8454	WR38X10190	EDGE TRIM 1.1257"
8511	WR02X10483	BUSHING, FF HINGE
8513	WR13X10099	HINGE BTM. CASE RH/LH
8514	WR02X10525	SUPPORT CLAMPS
8530	WR50X10032	THERMODISC
8738	WR01X10053	#8-18 TYPE AB X 3/8 BLK
8951	WR02X10526	SPRING DOOR CLOSURE FF
9857	WR60X10113	DRAIN PAN FAN



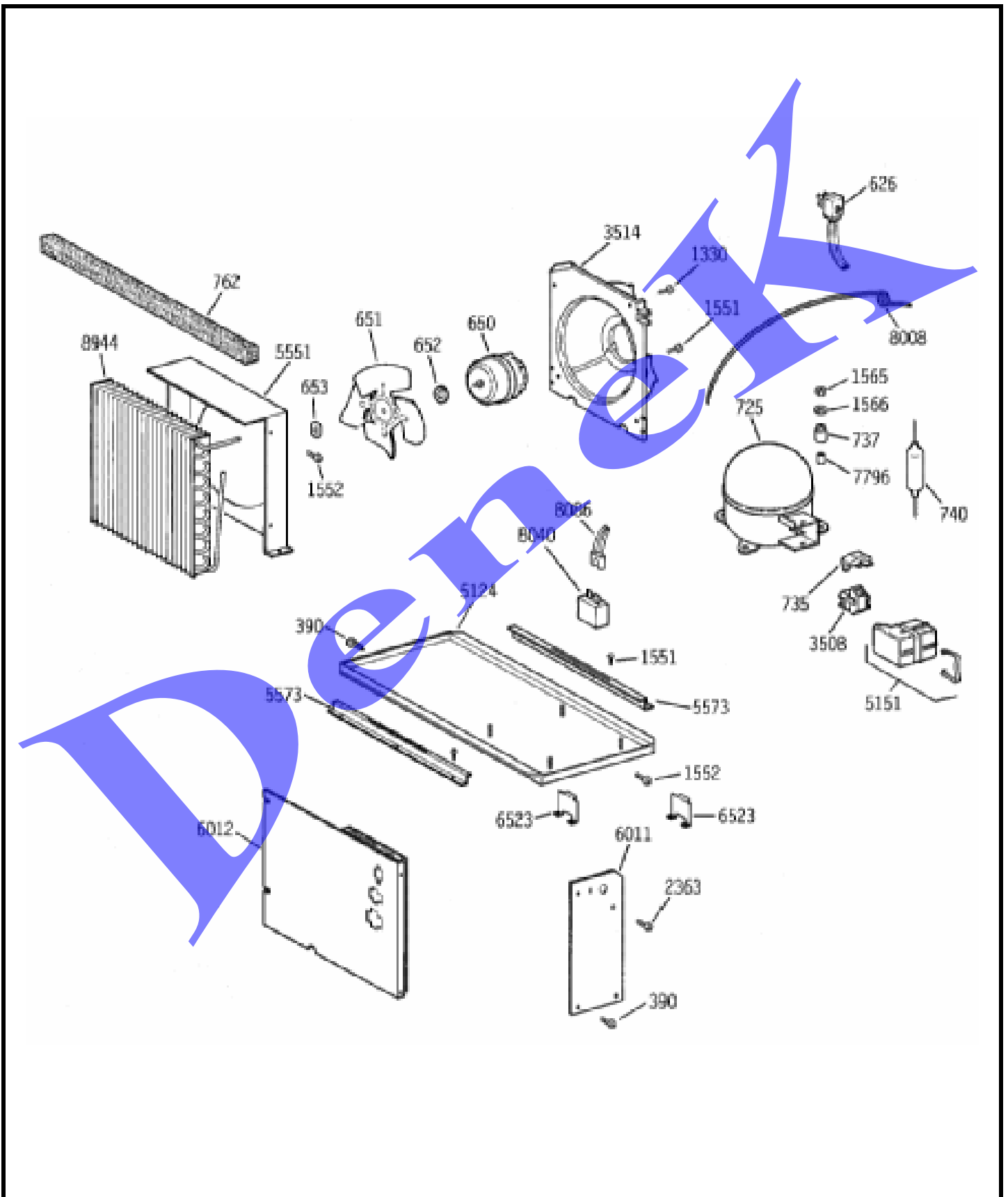
**GENERAL ELECTRIC ZIR36NMARH**

11437703

753	WR02X10490	FRONT WHEEL ASM.
1551	WR01X5645	SCREW IM STRAP, PAN
2843	WR01X1903	SCREW CASE TRIM
5008	WR17X10649	SHELF TRACK CENTER
5013	WR17X10460	CASE TRIM RH
5025	WR72X10046	SUPP. VEG BASKET WIRE
5059	WR32X10072	SNACK PAN COVER
5060	WR72X10043	PAN SUPPORT VEG
5064	WR32X10073	VEG PAN COVER
5065	WR32X10074	ENCAP SHELF ASSY
5146	WR32X10119	SHOWCASE LID VEG PAN
5181	WR13X10299	BASE ASM (RH)
5205	WR72X10012	SUPPORT, SLIDE RH
5220	WB07X10461	SEAL, FRONT SNACK PAN
5222	WR01X10046	WASHER SHOWCASE PIVOT
5223	WR14X10011	SEAL, RR SNACK PAN
5225	WR14X10012	SEAL, FRT VEG PAN GLASS
5226	WR01X10047	BUTTON GLIDE
5227	WR72X10013	SUPPORT, SLIDE LH
5232	WR01X10048	BUSHING, SHOWCASE PIVOT
5413	WR32X10078	SNACK PAN ASM
5421	WR01X10050	SCREW, #8 18 X 7/8
5500	WR14X10040	SEAL FRONT SHOWCASE LID
5518	WR14X10014	SEAL REAR VEG PAN GLASS
5620	WR02X8377	WHEEL ASM REAR
6538	WR32X10121	VEG BASKET ASM LOWER
7055	WR02X10478	AXLE WHEEL
7271	WR01X10051	10-24*7/8 PHIL P-HD TAP
7766	WR02X8799	SPRING WHEEL
7768	WR02X10479	LEVELING LEG
7769	WR01X1733	KEY PIVOT
7828	WR01X10186	BASE SHAFT
7855	WR02X10480	WHEEL MOBILITY
8000	WR72X10045	DIVIDER - CENTER, VEG PA
8028	WR32X10122	VEG. PAN ASM. CLEAR
8141	WR17X10660	WINE RACK CLEAR LEXAN
8292	WR72X0269	SLIDE FULL EXT10
8293	WR72X0270	SLIDE FULL EXT12
8350	WR17X4140	TRACK SHELF FF
9506	WR72X10044	PAN SUPPORT SNACK

GENERAL ELECTRIC ZIR36NMRH

11437704





**GENERAL ELECTRIC ZIR36NMARH**

11437704

390	WR01X1826	SCREW
626	WR23X0108	POWER CORD
650	WR60X10048	MOTOR AC/DC COND FAN
651	WR60X10049	BLADE COND FAN ASM
652	WR01X1714	WASHER CUSHION
653	WR01X1715	NUT COND. MOTOR
725	WR87X10043	COMPRESSOR REPL KIT
735	WR08X10021	OVERLOAD
737	WR02X7238	GROMMET COMP MTG
740	WR86X0096	DRYER BIFURCATED XH9
762	WR14X0313	FOAM STRIP
1330	WR01X1716	SCREW, FAN MOTOR
1551	WR01X5645	SCREW IM STRAP, PAN
1552	WR02X8081	10X3/8 SMS PH PHIL
1565	WR01X10044	1/4-20 HEX NUT
1566	WR01X5702	WASHER
2363	WR01X5684	6-32 X 3/8 PHIL S/S TYPE
3508	WR07X10074	RELAY PTCR
3514	WR17X11011	HOUSING COND FAN
5124	WR17X11619	REFRIGERATION PAN
5151	WR02X11748	ELECTRICAL COVER
5551	WR17X3048	SHROUD COND
5573	WR02X8610	SLIDE MOUNT REFRIG
6011	WR17X11638	AIR BAFFLE FF FRONT
6012	WR17X11639	COND BAFFLE FF LH
6523	WR02X11837	FT PAN BRACKET
7796	WR01X5648	STEEL COLLAR
8008	WR86X10008	SUCTION & CAP. TUBE ASM.
8040	WR62X10018	RUN CAPACITOR 06-264870
8086	WR23X0474	CAPACITOR HARNESS
8944	WR84X10021	CONDENSER ASM 36 SD