

Distribuidor Autorizado

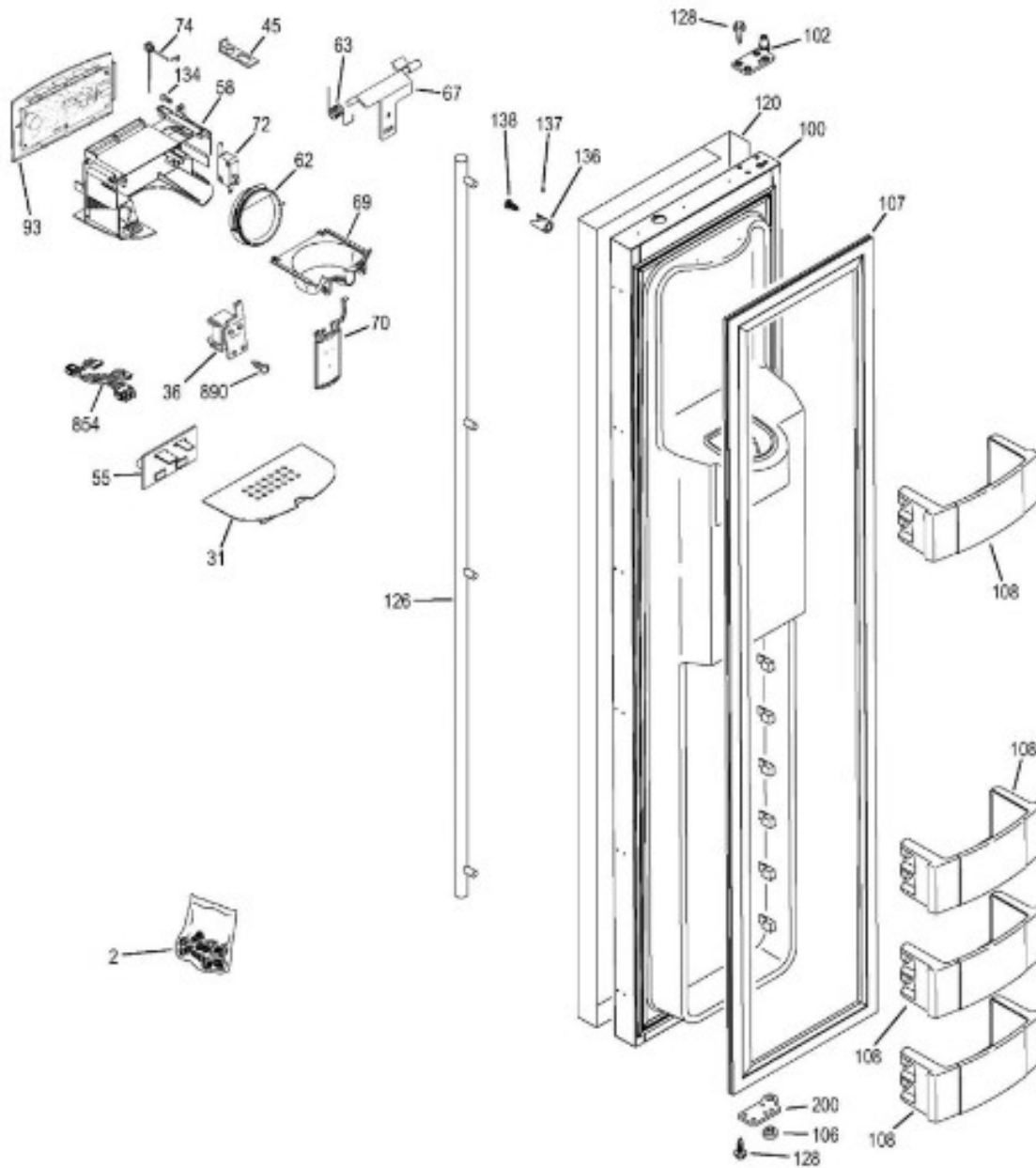
SurteRápido.com

Venta de Refacciones  
Electrodomesticas

# REFRIGERADOR ZISS480DHASS

## PUERTA CONGELADOR FREEZER DOOR

ZISS480DHASS



Distribuidor Autorizado

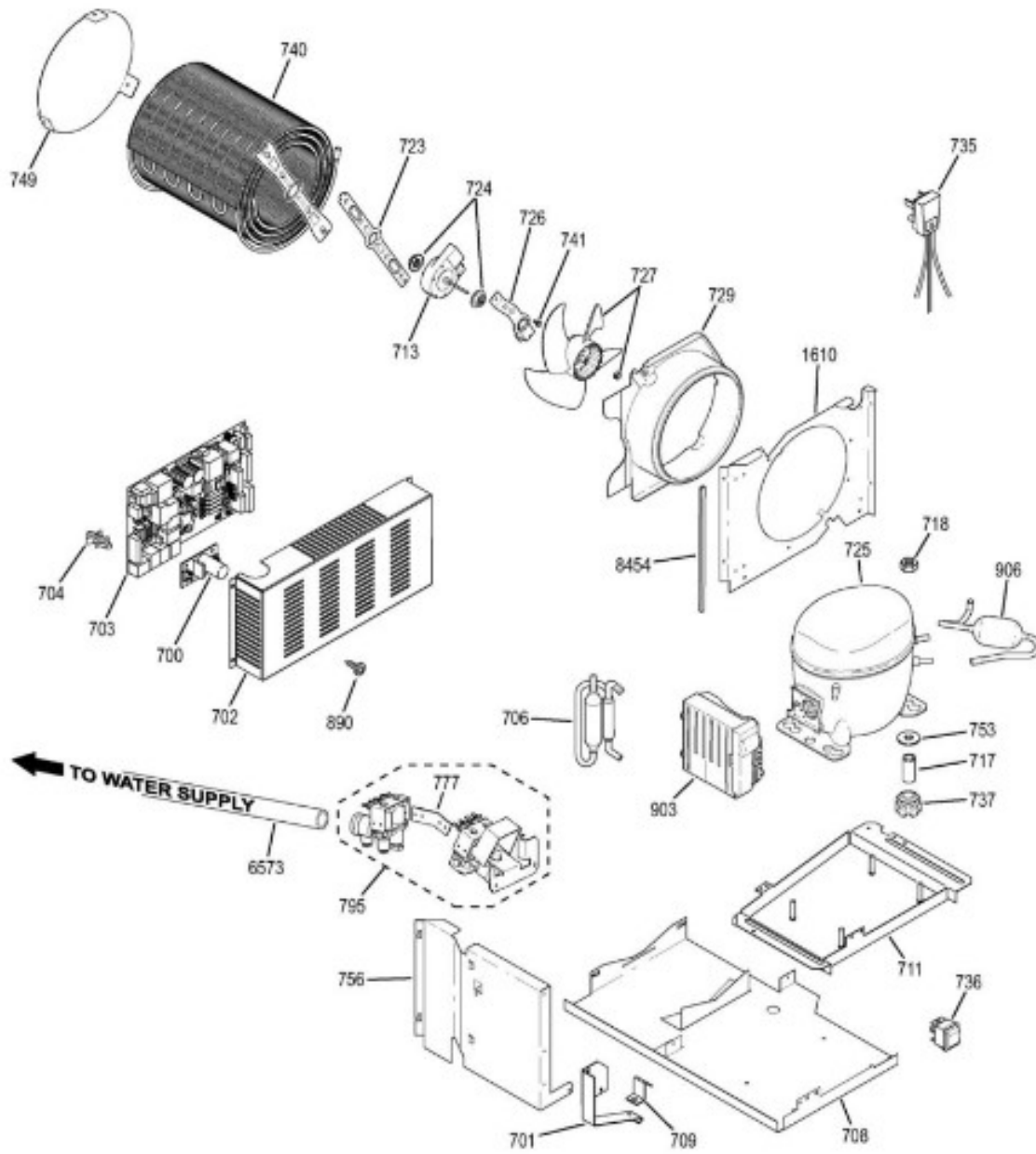
SurteRápido.com

Venta de Refacciones  
Electrodomesticas

# REFRIGERADOR ZISS480DHASS

## COMPARTIMIENTO DE LA MÁQUINA MACHINE COMPARTMENT

ZISS480DHASS



Distribuidor Autorizado

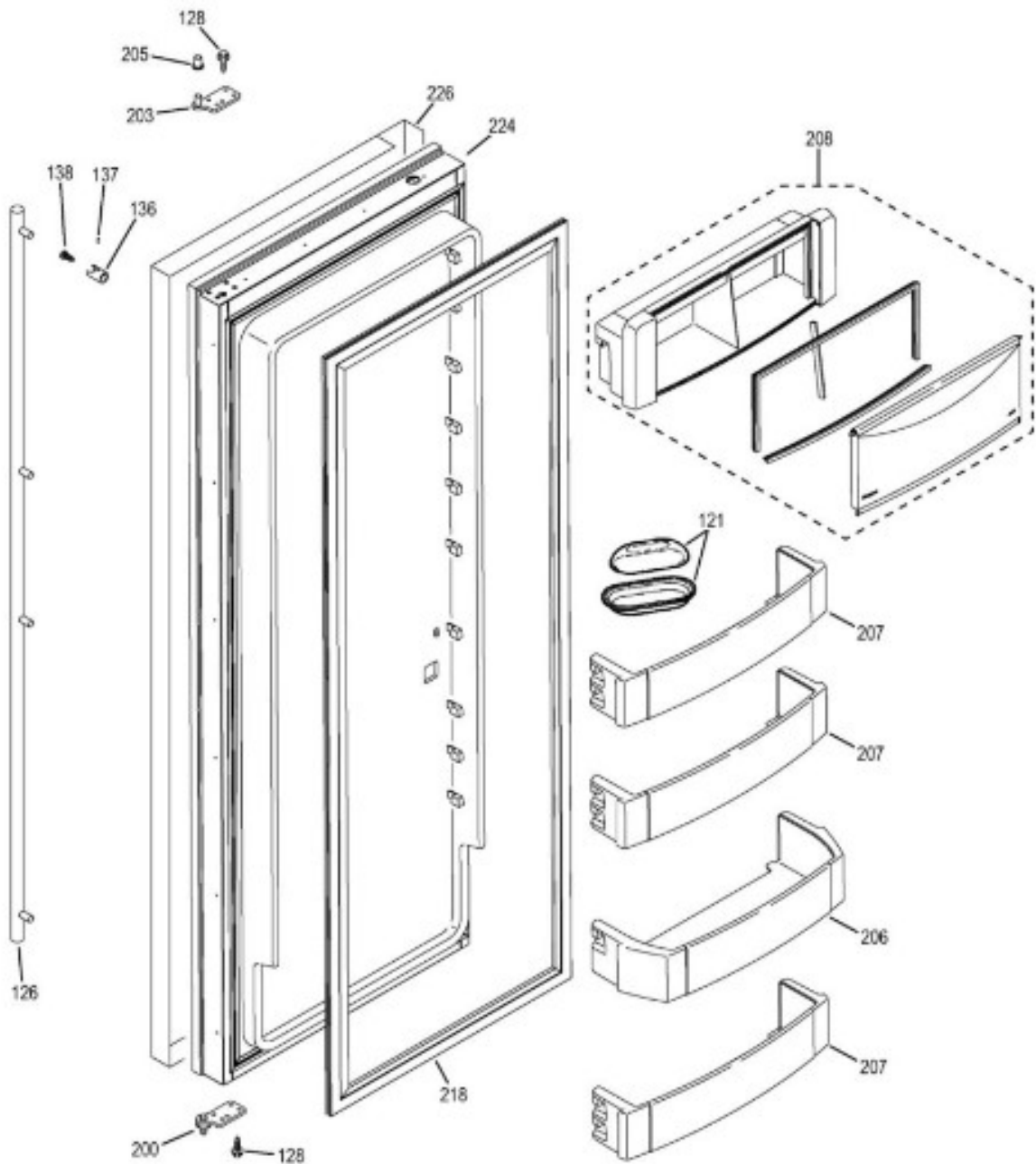
SurteRápido.com

Venta de Refacciones  
Electrodomesticas

# REFRIGERADOR ZISS480DHASS

## PUERTA DE ALIMENTOS FRESH FOOD DOOR

ZISS480DHASS



Distribuidor Autorizado

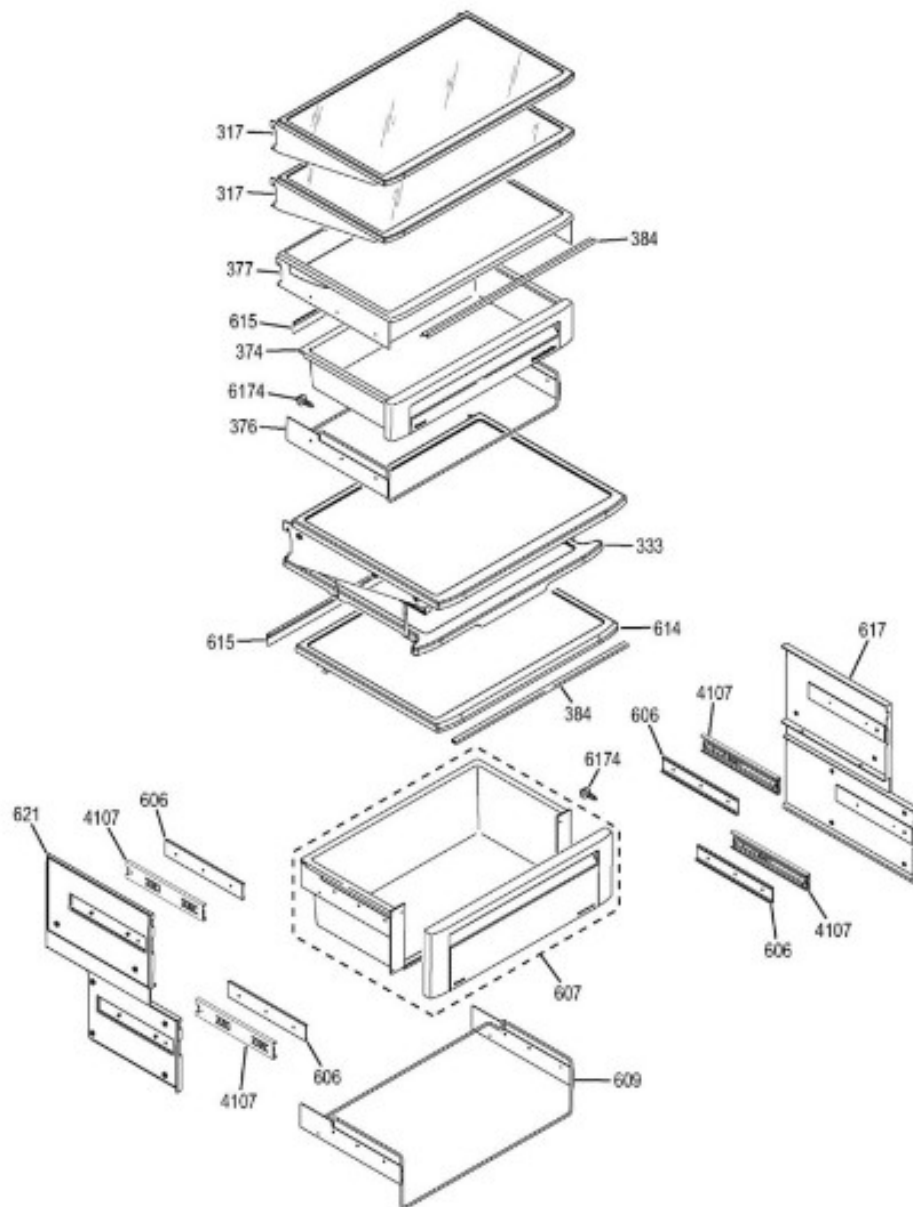
SurteRápido.com

Venta de Refacciones  
Electrodomesticas

# REFRIGERADOR ZISS480DHASS

## ESTANTES DE ALIMENTOS FRESCOS FRESH FOOD SHELVES

ZISS480DHASS



Distribuidor Autorizado

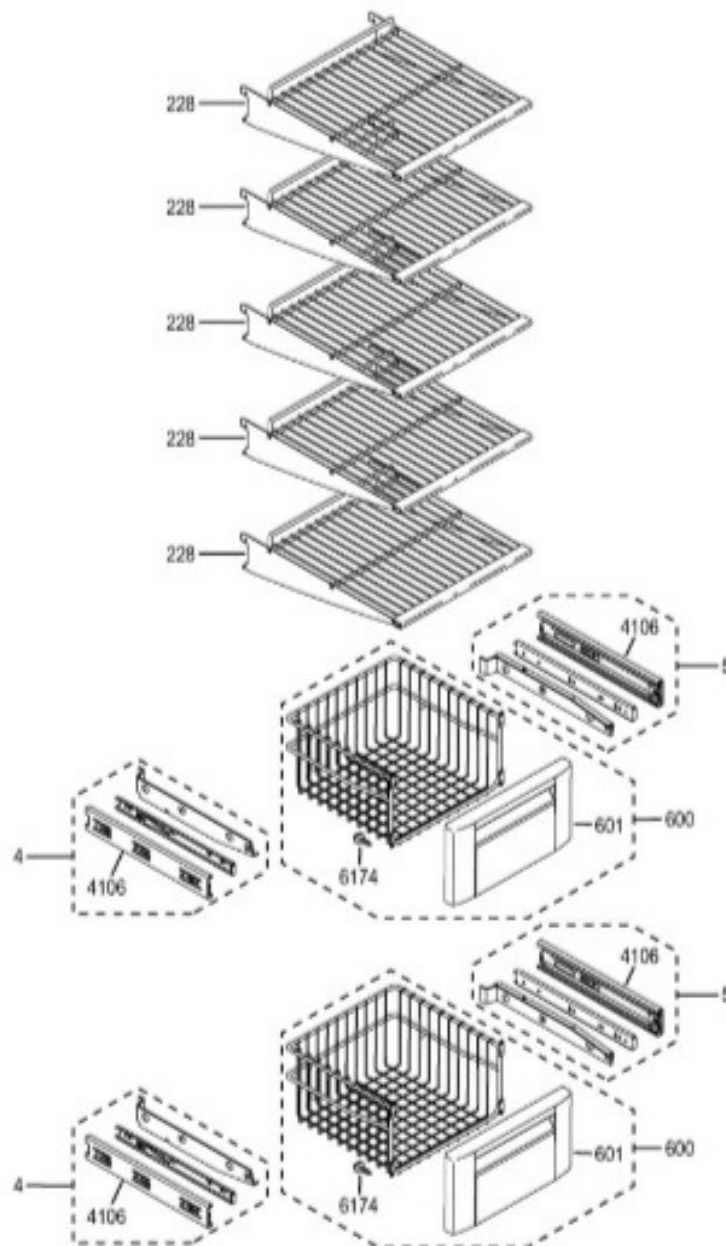
SurteRápido.com

Venta de Refacciones  
Electrodomesticas

# REFRIGERADOR ZISS480DHASS

## ESTANTES DEL CONGELADOR FREEZER SHELVES

ZISS480DHASS



Distribuidor Autorizado

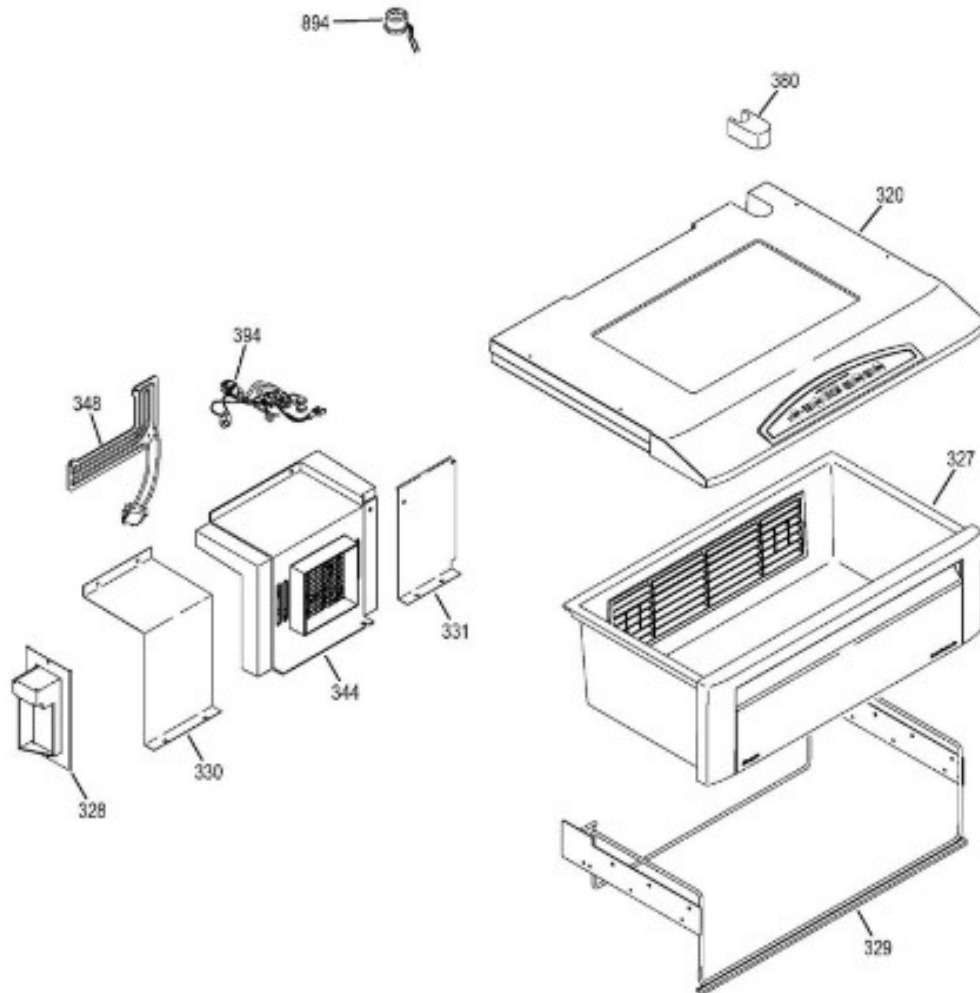
SurteRápido.com

Venta de Refacciones  
Electrodomesticas

# REFRIGERADOR ZISS480DHASS

**ENFRIAMIENTO RÁPIDO  
QUICK CHILL**

**ZISS480DHASS**



Distribuidor Autorizado

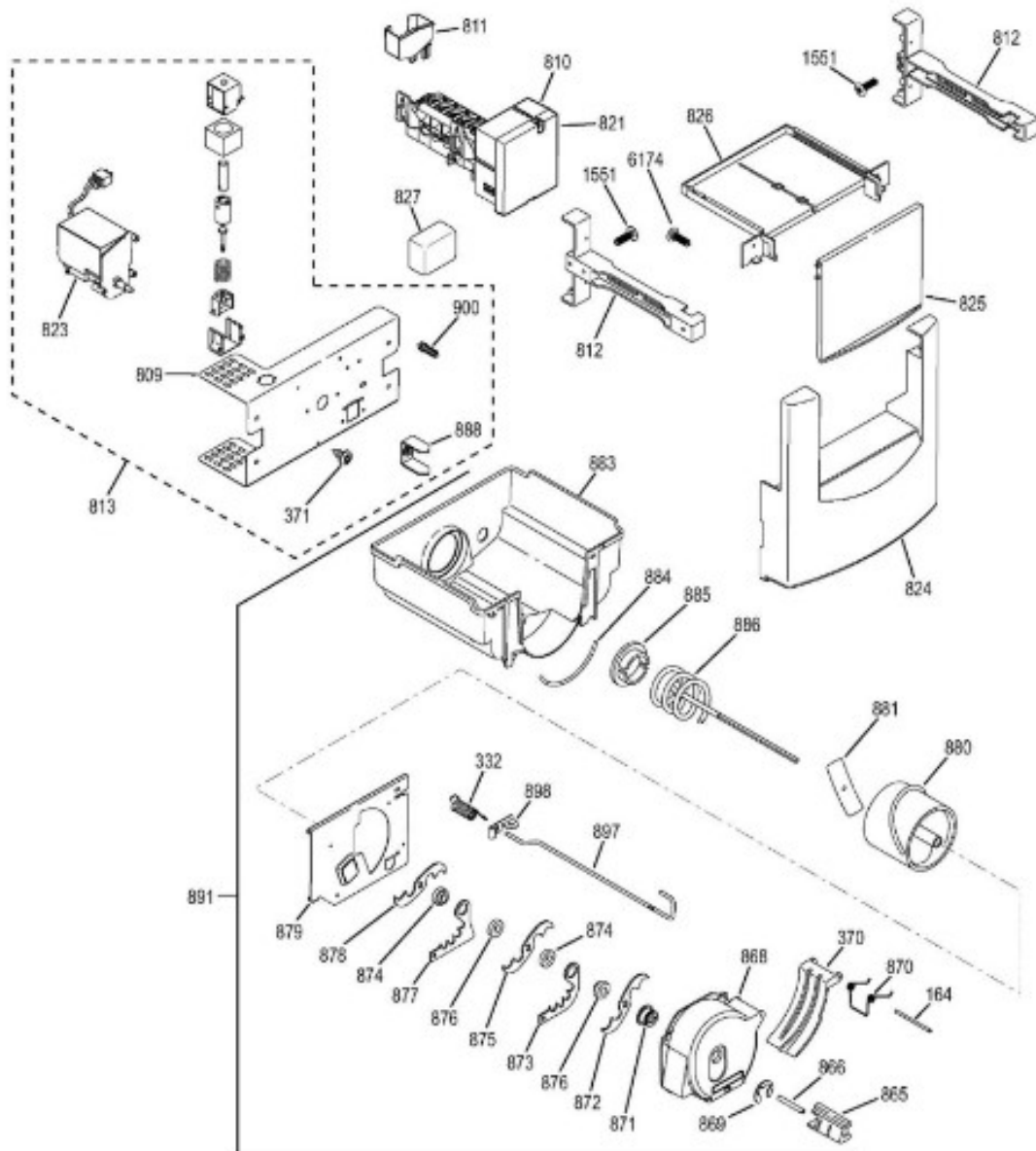
**SurteRápido.com**

Venta de Refacciones  
Electrodomesticas

# REFRIGERADOR ZISS480DHASS

## FABRICA DE HIELO Y DISPENSADOR ICE MAKER & DISPENSER

ZISS480DHASS



Distribuidor Autorizado

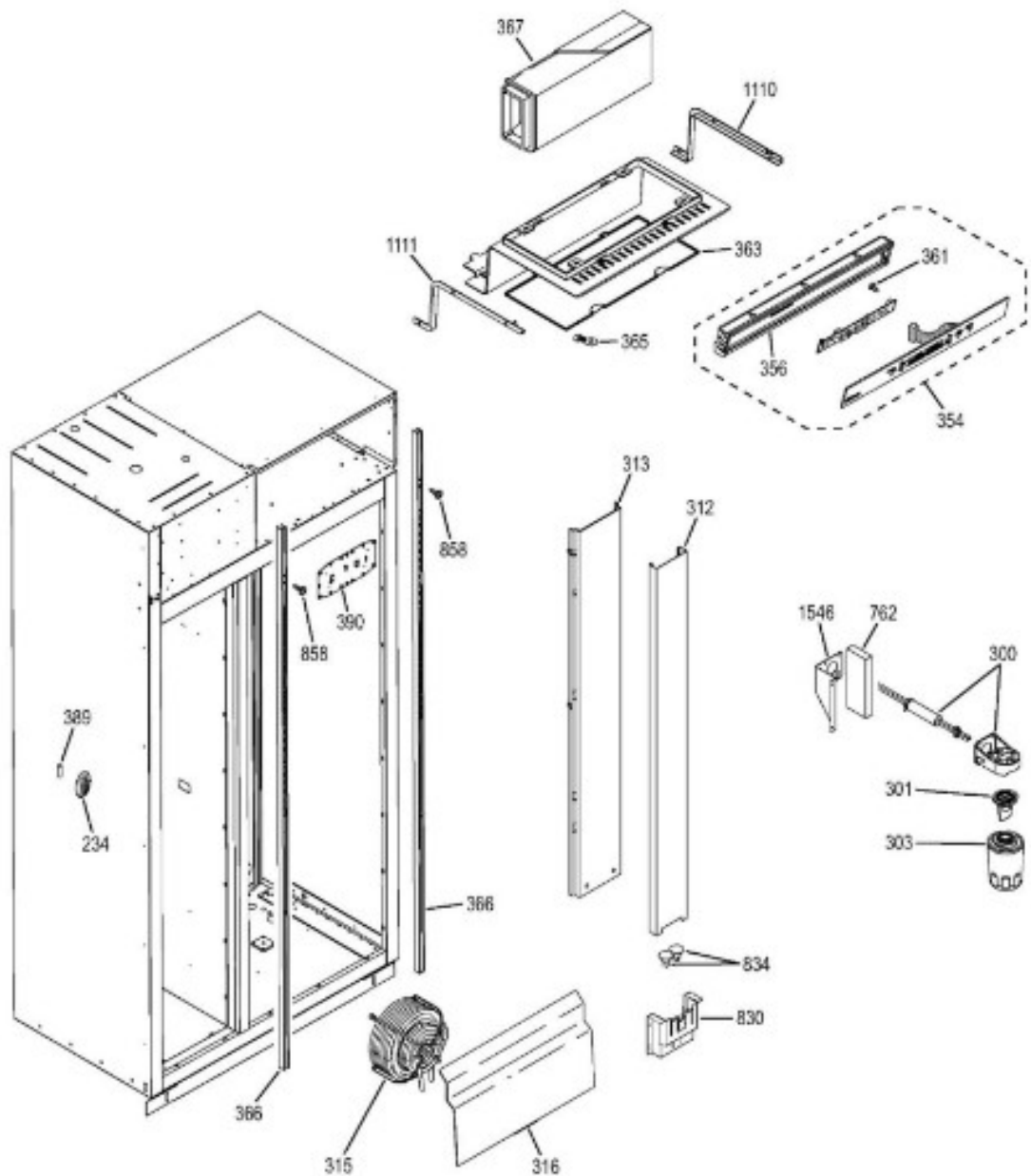
SurteRápido.com

Venta de Refacciones  
Electrodomesticas

# REFRIGERADOR ZISS480DHASS

## SECCIÓN DE ALIMENTOS FRESH FOOD SECTION

ZISS480DHASS







Distribuidor Autorizado

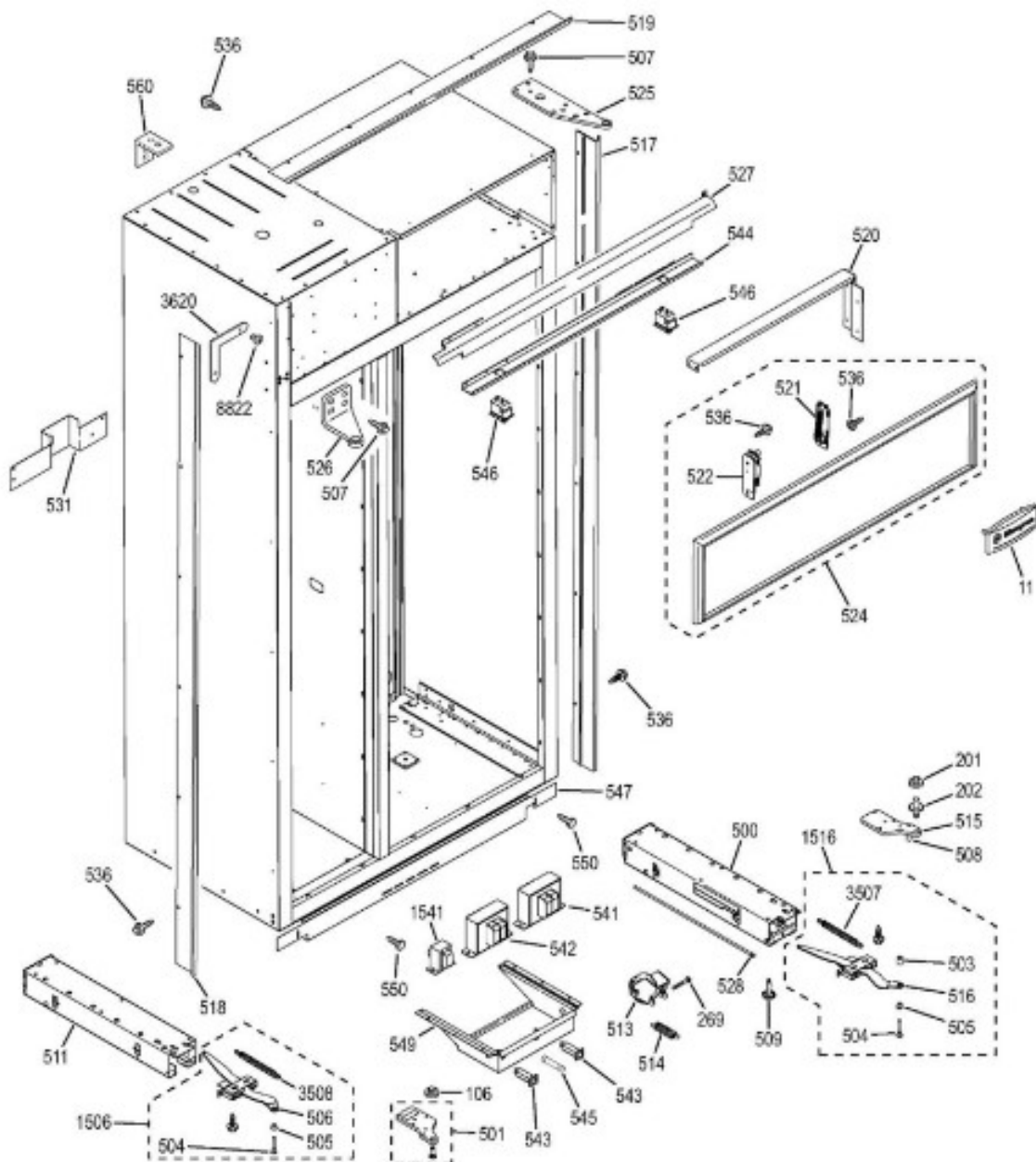
SurteRápido.com

Venta de Refacciones  
Electrodomesticas

# REFRIGERADOR ZISS480DHASS

## PARTES CAJA CASE PARTS

ZISS480DHASS



# REFRIGERADOR ZISS480DHASS

Guía	Refacción	Descripción
2	WG03F05148	TOE KICK
2	WG03L03791	LITERATURE PACK
2	WG03F04642	TOE KICK
4	WG03L02136	FZ BASKET SLIDE ASM LH, MONOGR
5	WG03A00593	SS TCS de 8-32 X 5/8 "PH
5	WG03L03422	FZ BASKET SLIDE ASM RH, MONOGR
11	WG02A02342	LOGO MONOGRAM
31	WG03L07705	GRILL DRIP DISPENSER
36	WR01F03323	SOLENOID ASM
45	WG03F00925	RETAINER
55	WR01F00145	BOARD ASM DISP LIGHTING
58	WR17X12771	HOUSING SHIELD DISP
62	WG03A03565	DOOR RECESS ASSY
62	WR01L01914	DOOR RECESS ASSY
63	WG03A00047	SPRING RECESS DOOR
67	WR01L00935	PUERTA
69	WR01F00833	FUNNEL ICE DISP
70	WG03A02319	PADDLE DISPENSER
72	WR01F03637	SWITCH
74	WR01A00922	SPRING TORSION
93	WG03L07708	VERRE TOUCHE DISTRIB. ASM NOIR
100	WG03L07988	DOOR FOAM ASM FZ SXS DSP
100	WG03L09791	DOOR FOAM ASM FZ SXS DSP
102	WG03L03438	FZ DOOR HINGE
106	WG03L00092	FZ BOTTOM
107	WG03L00108	GASKET DOOR
108	WG03L02379	BIN ASM
120	WR78X24111	WRAP FZ SXS EURO 48" DIS
121	WG03L02937	PLATO DE MANTEQUILLA Y TAPA
128	WG03A02064	SCREW, 1/4-20 TT BHT .87
134	WG03A01117	SCREW
136	WG03F00574	STAND OFF SS
136	WG03A02777	STAND OFF SS
137	WG03A00033	SCREW SET #1
138	WG03A00030	SCREW #10-32

# REFRIGERADOR ZISS480DHASS

Guía	Refacción	Descripción
164	WG03A02211	PIN DEFLECTOR DISP
201	WG03A00011	BUSHING HINGE BOTTOM
202	WR01A01444	HINGE PIN
205	WG03A00012	BUSHING HINGE TOP
206	WG03F00040	BIN ASM GALLON
206	WG03L07757	BIN ASM GALLON
207	WG03F00521	REG BIN FF ASM
207	WG03L07758	REG BIN FF ASM
208	WG03L02377	DAIRY BIN ASM
208	WG03L10520	DAIRY BIN ASM
218	WG03L00107	GASKET DOOR FRESH FOOD
224	WR78X23183	DOOR FOAMED ASM FF SXS 4
226	WR78X24107	WRAP FF SXS EURO 48"
228	WG03A01773	WIRE SHELF ASM FZ, MONOGRAM
269	WG03F03771	LLAVE PIVOTE
300	WG03F05137	MWF MANIFOLD & TUBES ASM
301	WG03F00087	CAP FILTER BY PASS
301	WG03L10111	CAP FILTER BY PASS
303	WG01F01839	FILTRO INTERNO
306	WG03L05378	REFLECTOR LUZ
312	WG03L05372	SHIELD LIGHT COLUMN 48
313	WG03L05400	AIRTOWER COVER
315	WG03F02484	ENSAMBLE TANQUE DE AGUA
316	WG03L05130	COVER WATER TANK
317	WG03L05673	ENDCAPSULATED SHELF ASM, MONOG
327	WG03L05573	PAN QUICK CHILL ASM
327	WG03L08145	PAN QUICK CHILL ASM
328	WG03A02217	QC DAMPER KIT
328	WG03F06451	QC DAMPER KIT
329	WG03A01778	VEG WIRE FRAME MODIFIED
330	WG03L06905	COVER QC DAMPER
331	WG03L06906	COVER QC
332	WG03L05137	SPRING DEFLECTOR
333	WG03L05678	QUICK SHELF ASM, MONOGRAM
335	WG03F05151	CONDUIT GRILLE

Distribuidor Autorizado

**SurteRápido.com**

Venta de Refacciones  
Electrodomesticas

# REFRIGERADOR ZISS480DHASS

Guía	Refacción	Descripción
344	WG03A02218	BOITIER ENS
348	WG03F05149	CALENTADOR
354	WG03F05795	HMI HOUSING ASM 48 DISP
354	NLA	HMI HOUSING ASM 48 DISP
356	WG03F04105	SOPORTE CONTROL
361	WG03A00591	4-40 X 1/4 PH SMS
363	WG03L05125	CEILING LIGHT SHIELD, MONOGRAM
365	WG03F05748	SEGURO CUBIERTA LUZ
366	WG03L05364	SOPORTE PARRILLAS
367	WG03F00213	DAMPER FOAM ASM 48
370	WG03L05387	DEFLECTOR ICE DISP
371	WG03A00229	SCR 8-18 TPT 1/4
374	WG03L04175	PAN ASM
374	WG03L07763	PAN ASM
376	WG03A01636	SNACK PAN WIRE SUPPORT, MONOGR
377	WG03L05675	SNACK PAN SHELF ASM, MONOGRAM
380	WG03L05128	COVER WATER LINES
384	WG03L04402	SEAL
389	WR01F01730	SENSOR TEMPERATURE
389	WR01F01730	SENSOR TEMPERATURE
390	WG03F00049	BOARD LED LIGHT ASM
390	WG03F05796	BOARD LED LIGHT ASM
394	WG03F05152	FAISCEAU REFRIG. INF.
500	WG03L05313	BASE CHANNEL RH
501	WG03L07704	HINGE CASE BOTTOM FZ
503	WR01L08607	SPACER
504	WR01A01750	BOLT
505	WG03L02367	BHNG ARM NYLON
506	WG03F03795	ACTUATOR ARM
507	WG03L00150	HINGE SCREW DOOR BTM
508	WG03F00555	SHEAR PIN
509	WG03F00769	LEVELING LEG
509	WG03F00389	LEVELING LEG
511	WG03L06855	BASE CHANNEL LH
513	WG03F00691	WHEEL REAR ASM

# REFRIGERADOR ZISS480DHASS

Guía	Refacción	Descripción
514	WG03A00253	RESORTE DE ESPIRAL
515	WG03L07709	BISAGRA INFERIOR DERECHA
516	WG03F03796	ACTUATOR ARM
517	WG03L05391	TRIM LATERAL
518	WG03L04838	TRIM
519	WG03L05396	TRIM CASE TOP SXS 48
520	WG03L05334	MOUNT HOOD GRILL HINGE
521	WG03L05311	HINGE GRILL
521	WG03L05298	HINGE GRILL
522	WG03L05312	HINGE GRILL
522	WG03L05299	HINGE GRILL
524	WR78X21713	GRILL ASM 48 EURO
526	WG03L03813	HINGE
527	WG03L04722	SOPORTE LUCES
528	WG03L04423	BASE SHAFT
531	WG03L05126	FILL TUBE COVER - DISP
541	WG03F00952	SXS TRANSFORMER 140VA
542	WG03F00652	TRANSFORMADOR LUZ CONG.
543	WG03F00293	FUSIBLE 2 AMP
544	WG03F03896	SOPORTE SWITCH
545	WR01F00842	FUSIBLE
546	WR01F02293	SWITCH LIGHT
546	WG03F03974	SWITCH LIGHT
547	WG03F04642	TOE KICK ASM
549	WR17X21023	TRAY TRANSFORMER
550	WG03A00431	SCREW
550	WR01A01049	SCREW
560	WG03A03020	SOPORTE ANTI-TIP
600	WG03L02345	BASKET ASM
601	WG03L02344	BASKET
601	WG03L07765	BASKET
606	WG03L05685	SLIDE INNER
607	WR01L09077	PAN ASM
607	WG03L08147	PAN ASM
609	WR72X10250	VEG PAN WIRE SUPPORT



# REFRIGERADOR ZISS480DHASS

Guía	Refacción	Descripción
614	WG03L05566	FIXED FF SHELF LED ASM
615	WG03L05121	SELLO TRASERO CAJON
617	WR01A01446	SOPORTE LATERAL CAJON
621	WR01A01447	PAN SIDE SUPPORT LH
652	WG03F01616	RING COMPRESSION
700	WG03F01592	POWER SUPPLY PCB, MONOGRAM
701	WG03A00729	SUJETADOR VALVULA
702	WG03L05118	COVER BOARD MAIN MONOGRAM
703	WG03F05191	BOARD ASM MAIN CONTROL
704	WG03F00411	SOPORTE DE TARJETA PRINCIPAL
706	WG03F04965	DRYER BIFURCATED XH9
708	WR17X23448	SYSTEM PAN
709	WG03A01631	SYSTEM PAN BRACKET
711	WG03F05749	PAN VAPORIZER & STUD ASM
711	NLA	PAN VAPORIZER & STUD ASM
713	WG03F04962	MOTOR DC COND FAN
713	WG03F00433	MOTOR DC COND FAN
723	WR01A00886	SOPORTE POSTERIOR CONDENSADOR
724	WG02F02001	GROMMET FAN MOTOR
725	WR87X23130	INVERTER COMPRESSOR EEI
726	WG03F00071	BRACKET COND FAN (MTG)
727	WG03L00005	BLADE CONF FAN ASM
727	WR02F04236	BLADE CONF FAN ASM
729	WR17X11252	CUBIERTA CONDENSADOR
735	WG03F00911	CORD POWER ASM
735	WG03F04956	MASTER LIGHT SWITCH
737	WG03L06902	ARANDELA
737	WG03F04984	ARANDELA
737	WG03F04984	AMORTIGUADOR COMPRESOR
741	WG04A01270	SCR 8-32 T HXW 3/8 S
749	WR17X10694	BAFFLE COND AIR
752	WG03F04027	DEFROST HEATER, MONOGRAM
753	WR01X10459	FLAT WASHER 3/8X 7/8
756	WG03F05750	BAFFLE LH
762	WG03L05338	FOAM STRIP FRONT

# REFRIGERADOR ZISS480DHASS

Guía	Refacción	Descripción
777	WG03F01409	BRACKET WATER VALVE
795	WG03F00070	BRACKET AND VALVE ASM
800	WG03F04124	EVAPORATOR, MONOGRAM
800	WG03F06954	EVAPORATOR, MONOGRAM
801	WG03L00629	CUBIERTA RETORNO
803	WG03A00190	CUBIERTA EVAPORADOR
804	WR01L08090	ENSAMBLE CHAROLA DE DRENADO
804	WG03F07361	ENSAMBLE CHAROLA DE DRENADO
809	WG03L05395	COVER AUGER MOTOR
811	WG03F00206	CUP FILL IM
811	WG03F08514	CUP FILL IM
812	WG03A00736	BUCKET SLIDE
813	WG03F03932	AUGER MOTOR ASM 48
813	WG03F07547	AUGER MOTOR ASM 48
820	WR29X20949	ICE MAKER
820	WG03F00417	ICE MAKER
821	WG03L00015	COVER ICEMAKER
823	WG03F04074	AUGER MOTOR, DISP
824	WG03F03129	ICE BIN FRT
825	WG03L05374	PUERTA HIELO
826	WG03L03941	ICE BIN DOOR TRACK
827	WG03L05140	COVER AUGER MOTOR
829	WG03L05375	TAPA DUCTO
830	WG03F03865	BULB HOUSING ASM 48FF, MONOGRAM
832	WG03F03894	SOPORTE LUCES
834	WG02F00660	HALOGEN BULB LIGHT COLUM
835	WG03F01457	TUBE DRAIN FLEXIBLE, MONOGRAM
846	WG03L05120	GRILLE SENSOR, MONOGRAM
846	WR01L04066	SENSOR
849	WG03A00079	BUMPER LID
854	WG03F05751	HARNESS RECESS DISPENSER
856	WG03L05365	TRACK FZ SHELF
858	WG03A01339	SCR 10-24 F PNP 1.25 S
859	WG03L00008	BLADE FAN MOTOR
859	WG03F06121	BLADE FAN MOTOR



Distribuidor Autorizado

**SurteRápido.com**

Venta de Refacciones  
Electrodomesticas

# REFRIGERADOR ZISS480DHASS

Guía	Refacción	Descripción
860	WR01F02256	MOTOR
860	WR01F01622	MOTOR
860	WR01F04638	MOTOR VENTILADOR EVAPORADOR
861	WG03A01626	BRACKET EVAP FAN BOTTOM
862	WR01A00872	SOPORTE VENTILADOR
863	WG02A03114	SCR 8-18 AB IHXW 9/16 S
864	WG03F00306	GROMMET EVAP FAN
864	WG03F00306	GROMMET EVAP FAN
865	WG03F03806	BLADE REST DISP
866	WG03A02212	PIN SPIRAL
867	WG03F04310	FAN & ORIFICE EVAP ASM
868	WG03F03906	HOUSING CRUSHER DISP
869	WG03F04949	RETEN ANILLO
870	WG03A02213	SPRING ICE DEFLECTOR
871	WG03A01602	NUT AUGER DISP
872	WG03L06903	BLADES MOVING DISP
873	WG03A00645	BLADE
874	WG03A02214	SPACER CRUSHER STATIONAR
875	WG03L06904	BLADES MOVING DISP
876	WR01A00893	SPACER CRUSHER MIDDLE
877	WG03A00644	BLADE STATIONARY DISPLAY
878	WG04F01834	CUCHILLA MOVIBLE
879	WG03L05390	PLATE FRONT DISP
880	WG03F00322	HELIX FRONT DISPLAY (1 P
881	WG03F03807	BLADE IN DISP
883	WG03A01735	BUCKET ICE DISP
884	WG04L00490	SELLO CHAROLA
885	WG03F03808	DRIVE CUP
886	WG03A01682	AUGER HELIX DISP
888	WG03F02811	DRIVE AUGER DISPENSER
890	WG04A02340	SCR 8-16X2 SS
891	WG03F00079	BUCKET & AUGER ASM DISP
895	WG03F00607	THERMODISC EVAPORADOR
895	WG03F07360	THERMODISC EVAPORADOR
897	WR01A01073	CABLE ACTUADOR

# REFRIGERADOR ZISS480DHASS

Guía	Refacción	Descripción
898	WG03F03809	RETAINER ACTUATOR WORE
900	WG03A01517	SUPPORT TWIST, MONOGRAM
903	WG03F04887	INVERSOR
906	WG03L02186	ACUMULADOR, MONOGRAM
926	WR01F02892	ENSAMBLE CONDENSADOR
953	WG03A00976	1/4-20 HEX NUT
1002	WG03L00317	BISAGRA SUPERIOR
1002	WG03L07744	BISAGRA SUPERIOR
1004	WG03F01447	ENSAMBLE JALADERA TUBULAR
1004	WG03A02499	ENSAMBLE JALADERA TUBULAR
1010	WG03L00316	BISAGRA PUERTA
1110	WG03A01603	TRIM CEILING BRACKET RH
1111	WG03A01604	TRIM CEILING BRACKET LH
1506	WG03L01062	LINK AUCTUATOR FZ
1516	WG03F00397	LINK AUCATOR FF
1541	WG03F00649	TRANSFORMER
1541	WG02F11798	TRANSFORMER
1541	WG02F11798	TRANSFORMER
1546	WG03A01633	SOPORTE FILTRO DE AGUA
1551	WG03A00029	SCREW
1610	WG03F03888	CONDENSER BAFFLE, MONOGRAM
1806	WG03A01643	CLIP CAP END
2064	WR01L07646	HINGE FF UPPER, MONOGRAM
2843	WG03A00593	8-32 X 5/8" PH SS TCS
3507	WG03A00042	SPRING CLOSURE
3508	WG03A01588	SPRING CLOSURE BLUE, MONOGRAM
3620	WG03A00727	TRIM CORNER KEY
4106	WG03L01020	RIEL
4107	WG03L01021	RIEL
5010	WG03L02574	COLLAR DE ACERO
5291	WG03A02168	BRACKET DEFROST HEATER
6015	WG03A01329	SCREW 6X1/2 PAN PHIL H/L
6573	WG03F03793	TUBE ASM WATER VALVE
6573	WG03F08850	TUBE ASM WATER VALVE
8454	WG03L01984	TRIM
8822	WW01A00439	TORNILLO