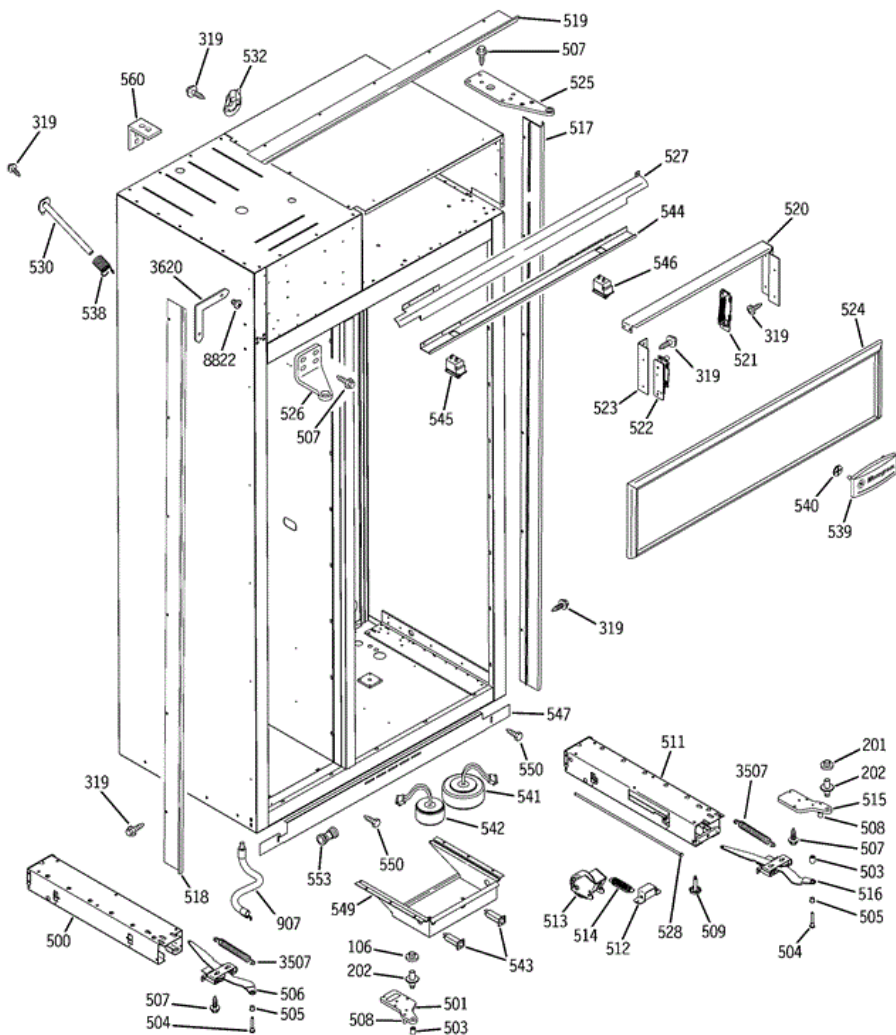


Distribuidor Autorizado

SurteRápido.com

Venta de Refacciones
Electrodomesticas

ZISS480DRASS CABINET



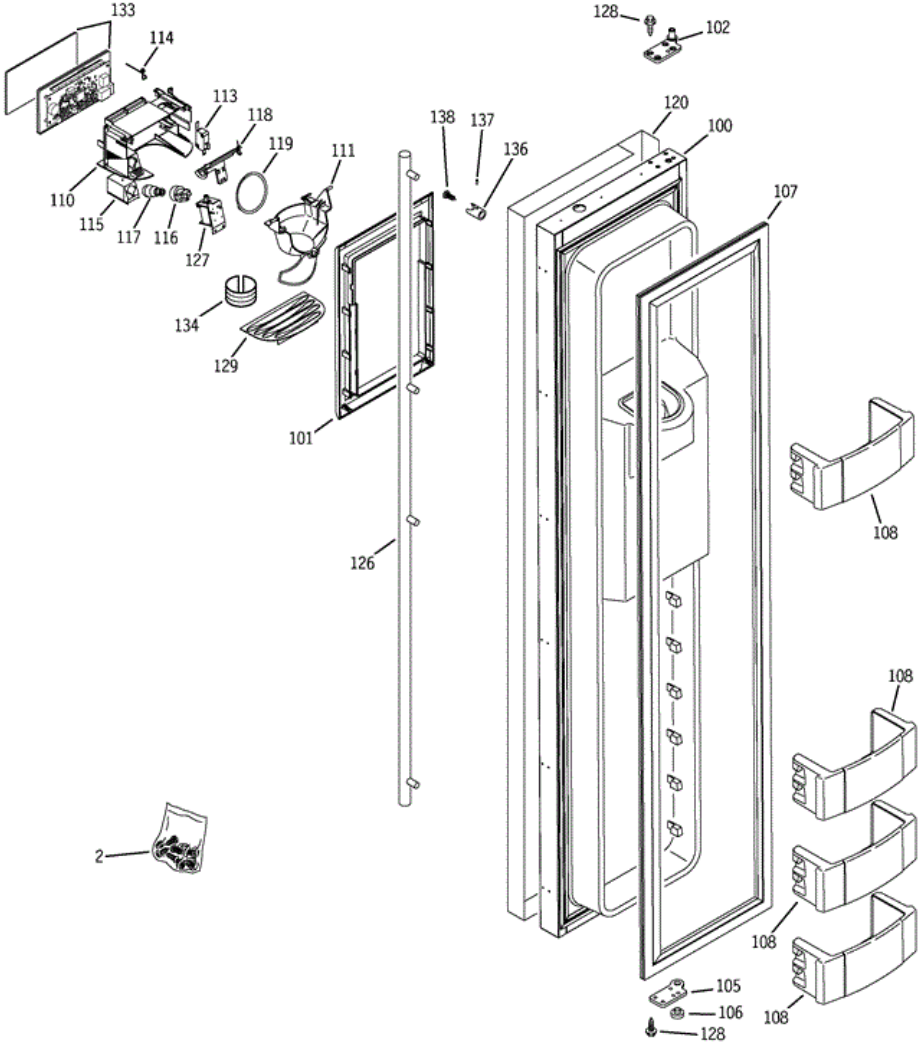


ZISS480DRASS CABINET

106	WR01X10297	FZ BOTTOM HINGE BUSHING
201	WR02X10953	BUSHING HINGE BOTTOM
202	WR13X10239	LOWER FF ADJ HINGE PIN
319	WR01X10188	SCR TRIM (SELF DRILLING)
500	WR13X10201	CHANNEL BASE ASM (LH)
501	WR13X10241	FZ HINGE SXS LOWER CASE
503	WR02X11231	SPACER FF DOOR CLOSURE
504	WR02X11207	BOLT SHOULDER
505	WR02X10951	BHNG ARM NYLON FF DR CL
506	WR02X11208	LINK AUCTUATOR FZ
507	WR01X10177	HINGE SCREW DOOR BTM.
508	WR02X11209	SHEAR PIN
509	WR02X10479	LEVELING LEG
511	WR13X10200	CHANNEL BASE ASM (RH)
512	WR02X11210	FRONT ROLLER ASM
513	WR02X11232	WHEEL REAR ASM
514	WR02X11233	SPRING WHEEL #LE022C4
515	WR13X10242	FF HINGE SXS LOWER CASE
516	WR02X11211	LINK AUCATOR FF
517	WR17X11180	CASE TRIM FF SIDE
518	WR17X11181	CASE TRIM FZ SIDE
519	WR17X11352	CASE TRIM TOP
520	WR13X10243	HOOD HINGE MOUNT
521	WR13X10204	HINGE ASM GRILLE LEFT
522	WR13X10205	HINGE ASM GRILLE RIGHT
523	WR13X10244	GRILL HINGE MOUNT
524	WR74X10150	GRILLE PANEL ASM
525	WR13X10245	FF HINGE UPPER CASE
526	WR13X10246	FZ HINGE SXS CASE UPPER
527	WR74X10102	EYEBROW SWITCH COVER
528	WR01X10186	BASE SHAFT
530	WR02X11258	GROMMET & FILL TUBE D
532	WR02X10047	COVER WATER LINE

538	WR51X10056	FILL TUBE HTR 10W
539	WB02X10830	MG LOGO LARGE PINNED
540	WR01X10300	CLIP LOGO
541	WR62X10029	TRANSFORMER FF LIGHTS
542	WR62X10030	TRANSFORMER FZ LIGHTS
543	WR23X10269	FUSE, 2 AMP
544	WR17X11183	EYEBROW SWITCH PLATE
545	WR23X10286	SWITCH LIGHT FZ
546	WR23X10143	SWITCHLIGHT
547	WR74X10189	TOE KICK
549	WR17X11184	TRANSFORMER PAN
550	WR01X10370	SCREW, TOEKICK
553	WR02X10471	UNION CONNECTOR
560	WR01X11130	BRACKET ANTI-TIP
907	WR02X11842	TUB, DISP WATER LINE KIT
3507	WR02X11745	SPRING CLOSURE, RED
3620	WR02X11335	TRIM CORNER KEY
8822	WR01X10326	#6-32 X 3/16 MACH SCR.

ZISS480DRASS FREEZER DOOR

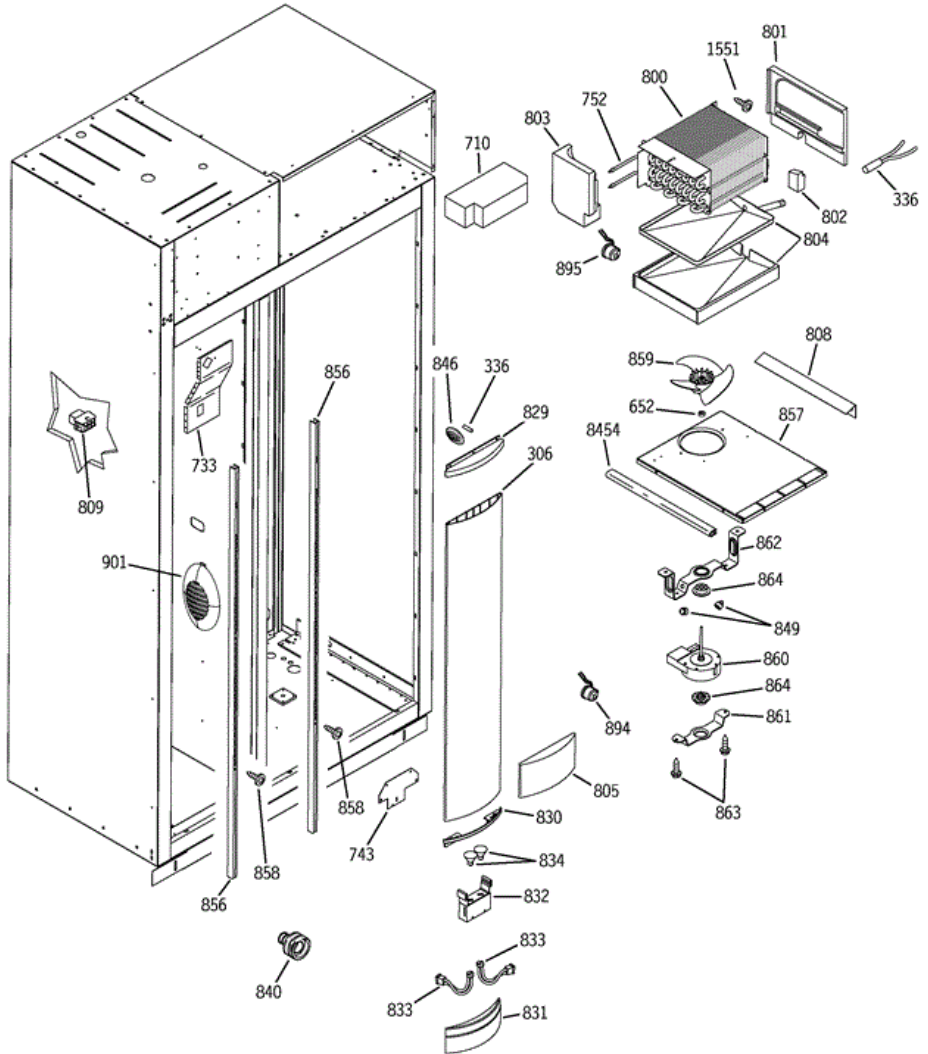




ZISS480DRASS FREEZER DOOR

2	WR01X10304	HARDWARE PACK
100	WR78X10588	FZ FOAMED DOOR ASM 48 BK
101	WR38X10276	COLLAR KIT-SS BLACK
102	WR13X10238	TOP SXS FZ DOOR HINGE AS
105	WR13X10250	FZ HINGE DOOR BTM
106	WR01X10297	FZ BOTTOM HINGE BUSHING
107	WR24X10144	36FF/48FF DOOR GASKET
108	WR71X10408	REG BIN ASM
110	WR17X10746	HOUSING SHIELD DISP BK
111	WR17X11267	FUNNEL ICE DISP BK
113	WR23X10171	SWITCH
114	WR02X10584	SPRING FUNNEL
115	WR02X10670	REFLECTOR LIGHT
116	WR02X9561	LAMP SOCKET
117	WR02X10675	BULB RECS 12V
118	WR17X10706	CRANK DOOR RECESS
119	WR17X3093	DOOR RECESS ASM
120	WR12X10527	48 SS FZ WRAP ASM
126	WR12X10068	HANDLE W/SET SCREW ASM
127	WR62X10020	SOLENOID ASM
128	WR01X1845	BOLT HINGE
129	WR17X10895	GRILLE RECESS BK
133	WR55X10157	DISP ASM- BOARD / GLASS
134	WR17X11268	EXTENSION FUNNEL ICE BK
136	WR02X10165	STAND-OFF SS
137	WR01X10026	SCREW SET #10-32
138	WR01X10057	SCREW #10-32X3/4 CR TR H

ZISS480DRASS FREEZER SECTION



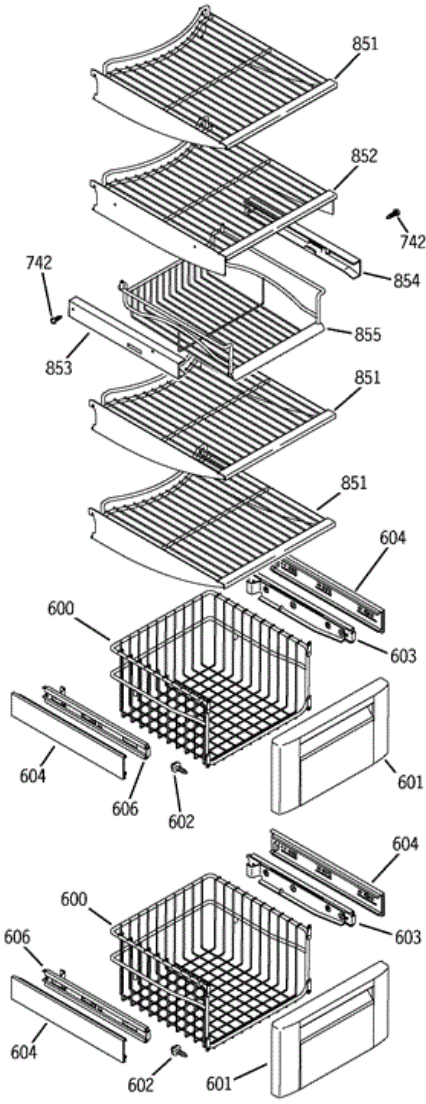


ZISS480DRASS FREEZER SECTION

306	WR17X11207	LIGHT COLUMN ASM
336	WR55X10025	SENSOR TEMP FF
652	WR02X10323	RING COMP COND FAN BLADE
710	WR17X11187	FOAM BLOCK EVAPORATOR
733	WR74X10103	REAR DUCT FZ
743	WR02X11223	BRKT LIGHT COLUMN MT
752	WR51X10065	HEATER DEFROST
800	WR84X10038	EVAP ASM W/HEATER
801	WR17X11193	FF RETURN AIR BAFFLE
802	WR02X9228	ELUT BLOCK
803	WR02X11225	FOAM BLOCK
804	WR17X11194	DRAIN PAN ASM W/HTR
805	WR02X11451	REFLECTIVE FILM FF
808	WR02X11338	RAIN HAT
809	WR02X11452	AMP J10 CONNECTOR
829	WR17X11200	ENDCAP LIGHT COLUMN FZ
830	WR17X11201	ENDCAP LIGHT COLUMN BTM
831	WR17X11202	BULB HOUSING COVER
832	WR02X11226	BULB HOUSING
833	WR02X11227	SOCKET BULB FIXTURE
834	WR02X11183	HALOGEN BULB LIGHT COLUM
840	WR02X11257	DRAIN TUBE CHECK VALVE
846	WR02X10647	GRILLE SENSOR
846	WR02X11228	THERMISTOR GRILL KIT- AL
849	WR02X10540	BUMPER LID
856	WR17X11205	FZ SHELF TRACK
857	WR17X11206	EVAP FAN ORFICE COVER
858	WR01X10051	10-24*7/8 PHIL P-HD TAP
859	WR60X10050	BLADE FAN MOTOR
860	WR60X10083	MOTOR DC EVAP FAN
861	WR02X10548	BRACKET EVAP FAN BTM
862	WR02X10653	BRACKET ORIFICE FAN
863	WR01X10035	SCR 8-18 AB IHW 5/8 S

864	WR02X10519	GROMMET EVAP FAN
894	WR50X10035	THERMOSTAT LIGHT
895	WR50X10036	THERMODISC EVAP
901	WR71X10325	FF AIR DIFFUSER
1551	WR01X5645	SCREW IM STRAP, PAN
8454	WR38X10190	EDGE TRIM 1.1257"

ZISS480DRASS FREEZER SHELVES

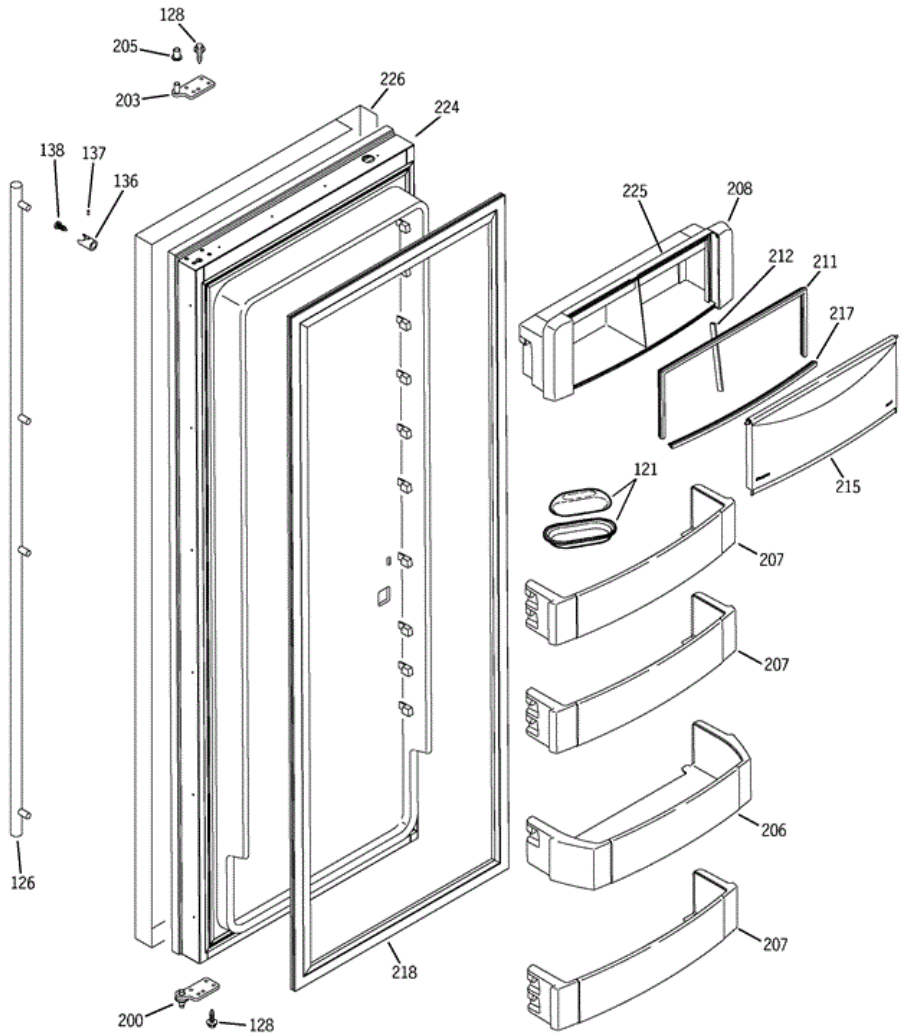




ZISS480DRASS FREEZER SHELVES

600	WR21X10055	FZ BASKET ASM
601	WR71X10415	FRONT FZ BASKET
602	WR01X10310	6-20 X 1/2 S\S PH PHIL
603	WR72X10098	FZ BASKET SLIDE ASM RH
604	WR72X0268	SLIDE FZ
606	WR72X10099	FZ BASKET SLIDE ASM LH
742	WR01X2129	SCREW, #8-15 X 1/2 CR PA
851	WR71X10422	FZ SHELF ASM
852	WR71X10423	FZ SHELF ASM
853	WR17X11203	SLIDE CAN RACK LH
854	WR17X11204	SLIDE CAN RACK RH
855	WR71X10424	CAN RACK FZ

ZISS480DRASS FRESH FOOD DOOR

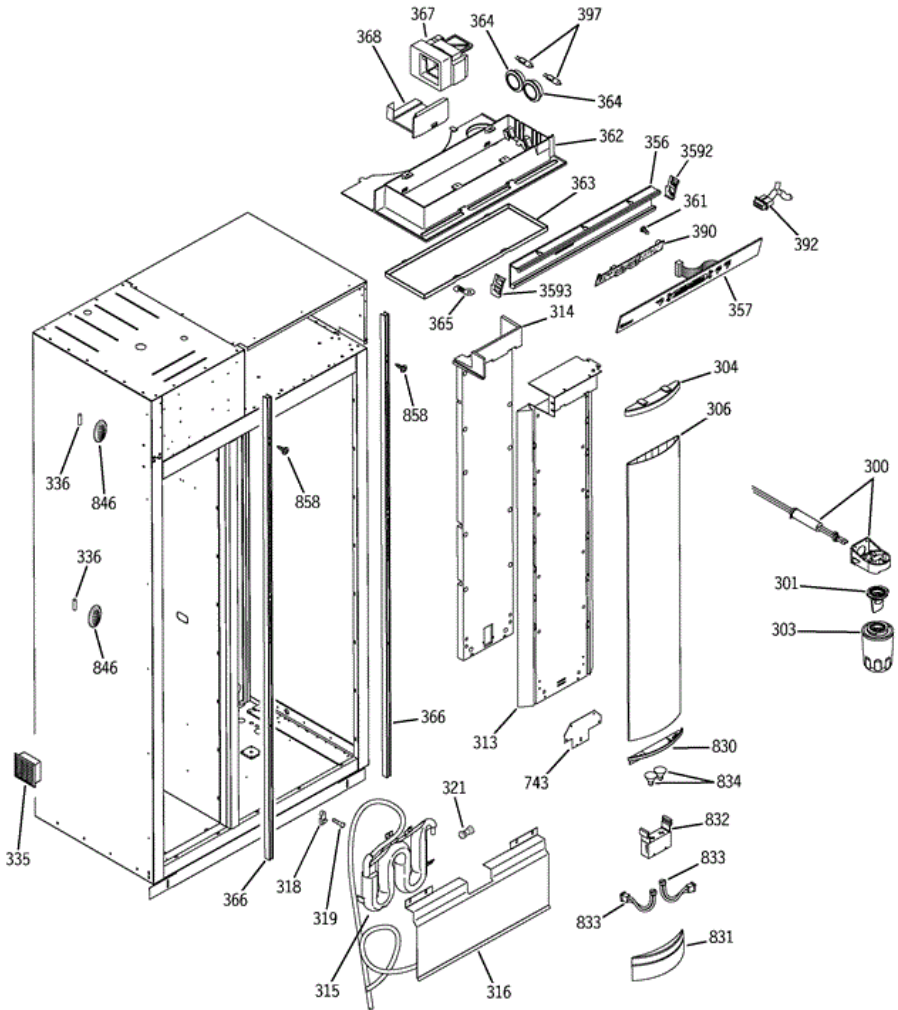




ZISS480DRASS FRESH FOOD DOOR

121	WR19X0035	DISH BUTTER ASM
126	WR12X10068	HANDLE W/SET SCREW ASM
128	WR01X1845	BOLT HINGE
136	WR02X10165	STAND-OFF SS
137	WR01X10026	SCREW SET #10-32
138	WR01X10057	SCREW #10-32X3/4 CR TR H
200	WR13X10251	FF HINGE DOOR BTM
203	WR13X10240	FF TOP DOOR HINGE ASM
205	WR02X10954	BUSHING HINGE TOP
206	WR71X10409	GAL BIN FF ASM
207	WR71X10410	REG BIN FF ASM
208	WR17X11173	DAIRY BIN ASM
211	WR14X10131	DAIRY SQ GASKET
212	WR14X10132	DAIRY BIN CENTER GASKET
215	WR22X10034	DAIRY BIN DOOR W/TRIM
217	WR24X10107	GASKET DAIRY BTM
218	WR24X10146	FF DOOR GASKET 48
224	WR78X10587	DOOR FOAMED ASM FF 48
225	WR14X10134	TOP EDGE GUARD DAIRY BIN
226	WR12X10528	48 FF SS WRAP ASM

ZISS480DRASS FRESH FOOD SECTION



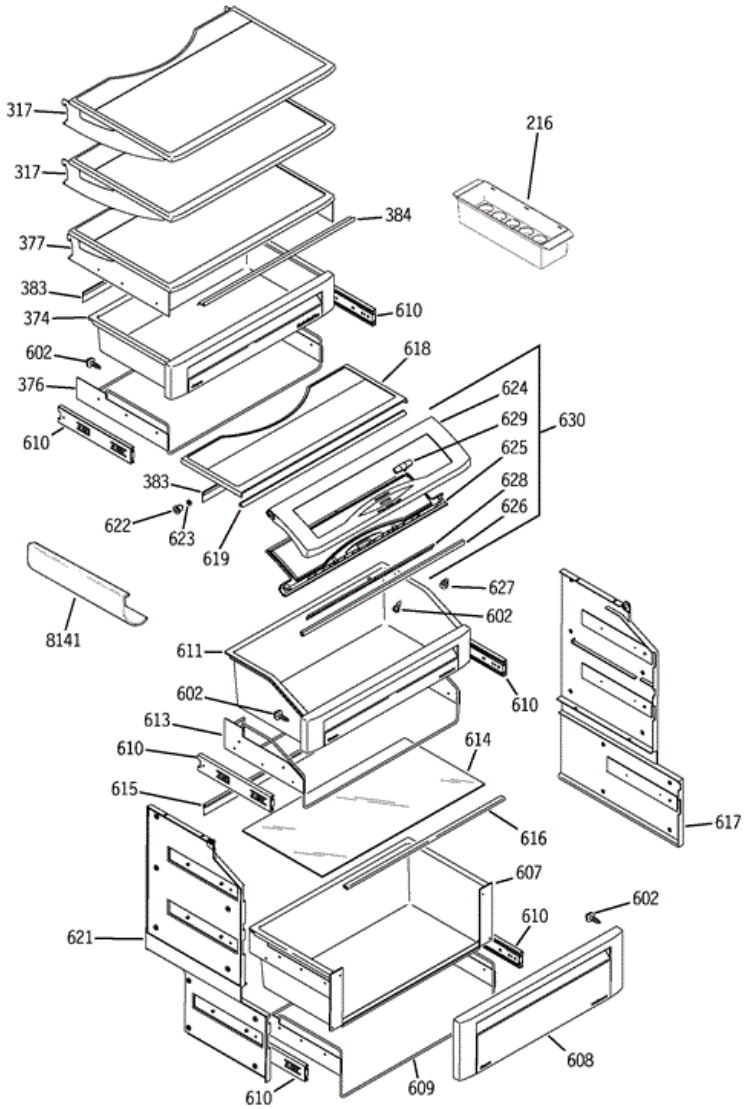


ZISS480DRASS FRESH FOOD SECTION

300	WR02X11448	FILTER MNT & TUBE ASM
301	WR02X10577	PLUG BYPASS FILTER
303	GWF	FILTER CANISTER
304	WR17X11174	END CAP LIGHT COLUMN TOP
306	WR17X11207	LIGHT COLUMN ASM
313	WR17X11175	AIR TOWER FF
314	WR02X11197	FOAM INSERT AIR TOWER
315	WR17X11176	WATER TANK ASM
316	WR74X10101	COVER WATER TANK(PLASTIC
318	WR02X11481	WIRE TIE (TANK HOLDER)
319	WR01X10188	SCR TRIM (SELF DRILLING)
321	WR02X10472	CONNECTOR, UNION 1/4
335	WR02X11199	QC INLET DUCT FZ
336	WR55X10025	SENSOR TEMP FF
356	WR31X10019	TEMP CONTROL HOUSING
357	WR55X10158	HMI CONTROL ASM
361	WR02X11200	4-40 X 1/4 PH SMS
362	WR17X11178	CEILING LIGHT BRACKET
363	WR02X11201	CEILING LIGHT SHIELD 48"
364	WR02X11202	HOCKEY PUCK W/LAMP &HARN
365	WR02X11203	LATCH LIGHT SHIELD
366	WR17X11179	FF SHELF TRACK
367	WR60X10112	DAMPER ASM 48
368	WR02X11205	FOAM DUCT
390	WR55X10159	BOARD HMI CONTRL
392	WR23X10266	HARNESS HMI TE
397	WR02X11184	BULB HALOGEN LAMP QC/HMI
743	WR02X11223	BRKT LIGHT COLUMN MT
830	WR17X11201	ENDCAP LIGHT COLUMN BTM
831	WR17X11202	BULB HOUSING COVER
832	WR02X11226	BULB HOUSING
833	WR02X11227	SOCKET BULB FIXTURE
834	WR02X11183	HALOGEN BULB LIGHT COLUM

846	WR02X10647	GRILLE SENSOR
846	WR02X11228	THERMISTOR GRILL KIT- AL
858	WR01X10051	10-24*7/8 PHIL P-HD TAP
3592	WR02X11291	RH HMI ENDCAP
3593	WR02X11292	LH HMI ENDCAP

**ZISS480DRASS FRESH FOOD
 SHELVES**

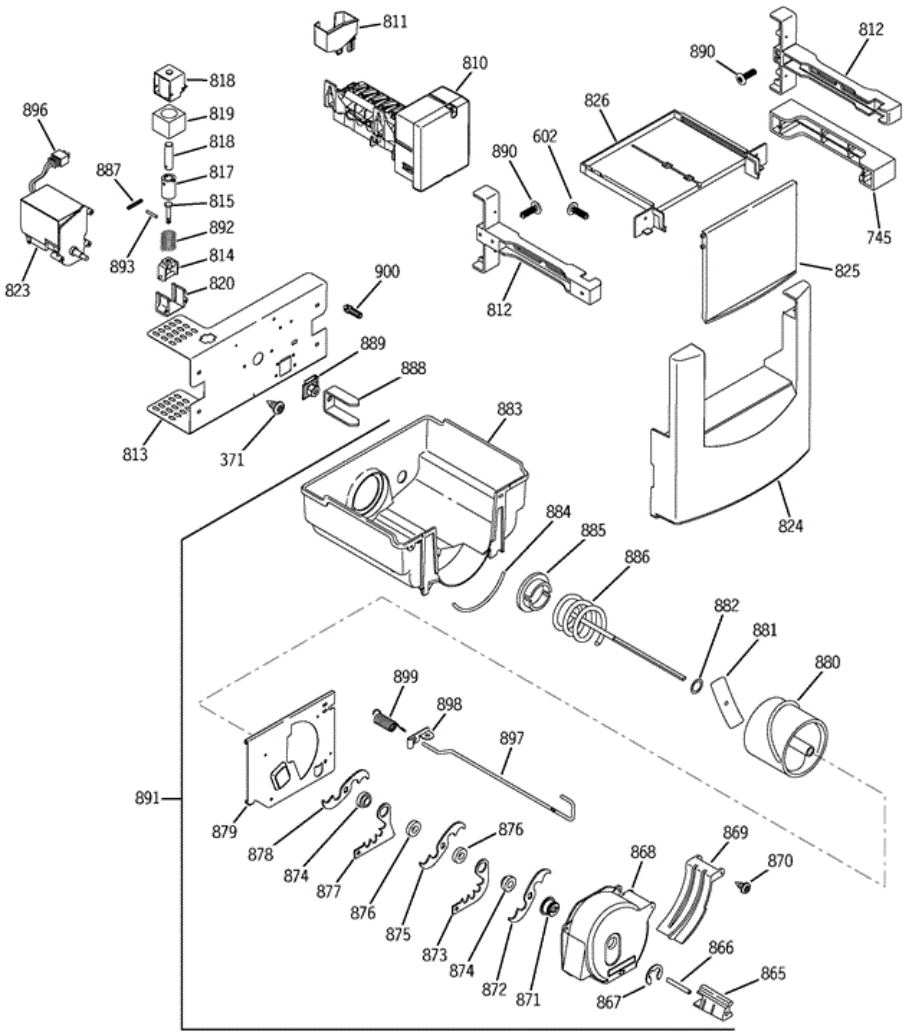




ZISS480DRASS FRESH FOOD SHELVES

216	WR32X1435	BUCKET EGG
317	WR71X10411	ENCAP SHELF ASM
374	WR32X10319	SNACK PAN ASM
376	WR71X10413	SNACK PAN WIRE SUPPORT
377	WR71X10414	SNACK PAN SHELF ASM
383	WR40X10037	PANREAR SEAL
384	WR40X10038	SEAL PAN FRONT
602	WR01X10310	6-20 X 1½ S/S PH PHIL
607	WR32X10320	VEG PAN ASM
608	WR71X10416	VEG PAN FRONT ASM
609	WR72X10100	VEG PAN WIRE SUPPORT
610	WR72X0269	SLIDE ASM RACK 10"
611	WR32X10321	SHOWCASE PAN ASM
613	WR71X10417	SHOWCASE PAN WIRE
614	WR32X10322	VEG PAN GLASS SHELF
615	WR02X11215	VEG PAN REAR SEAL
616	WR02X11216	VEG PAN SHELF FRONT SEAL
617	WR72X10101	PAN SLIDE SUPPORT RH
618	WR71X10418	SHOWCASE PAN SHELF ASM
619	WR71X10419	SHOWCASE PAN SHELF FRONT
621	WR72X10102	PAN SLIDE SUPPORT LH
622	WR13X10247	BUSHING SHOWCASE PIVOT
623	WR01X10046	WASHER SHOWCASE PIVOT
624	WR32X10324	SHOWCASE FLIP LID WINDOW
625	WR17X11185	VEG PAN FLIP WINDOW
626	WR14X10133	GASKET LID SHOWCASE
627	WR01X10047	BUTTON GLIDE
628	WR02X11217	HUMIDITY SLIDE 48"
629	WR02X11218	HUMIDITY SLIDER CONTROL
630	WR32X10323	SHOWCASE FLIP LID ASM
8141	WR17X4141	WINE RACK

ZISS480DRASS ICE MAKER & DISPENSER



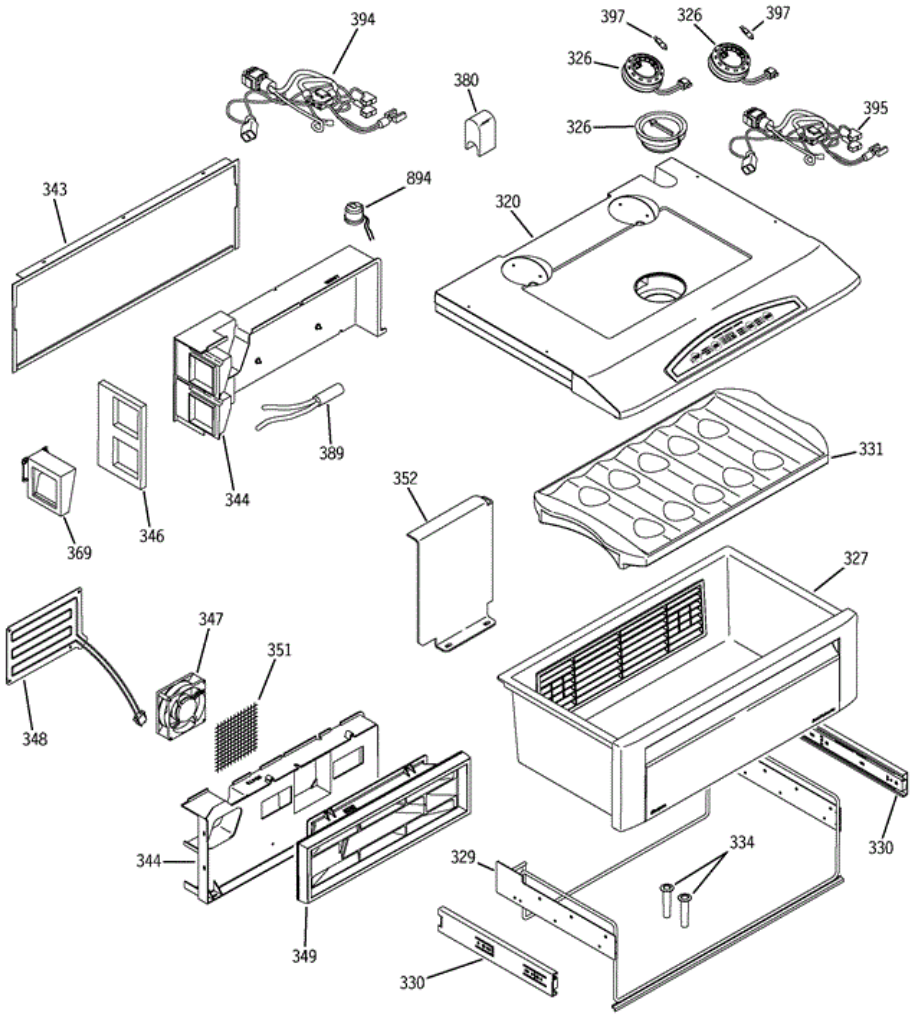


ZISS480DRASS ICE MAKER & DISPENSER

371	WR01X10192	SCR 10-18 HI/LO HXW 1/2
602	WR01X10310	6-20 X 1/2 S\S PH PHIL
745	WR17X11190	SPACER FZ SHELF 48
810	WR30X10012	ICEMAKER ASM
811	WR29X10021	CUP FILL IM
812	WR72X10103	BUCKET SLIDE
813	WR17X11197	COVER MOTOR SOLENOID
814	WR17X1066	STIRRUP SOLENOID DISP
815	WR17X1064	PLUNGER SOLENOID
817	WR17X1065	COLLAR SOLENOID DISP
818	WR62X0058	SOLENOID & ARM ASM
819	WR17X1063	SHROUD SOLENOID
820	WR02X7309	SADDLE SOLENOID
823	WR60X10123	MOTOR CRUSHER DISP
824	WR17X11198	ICE BIN FRT
825	WR17X11199	ICE BIN DOOR
826	WR71X10420	ICE BIN DOOR TRACK
865	WR02X4140	BLADE REST DISP
866	WR02X4141	PIN SPIRAL
867	WR01X1367	RETAINER RING E
868	WR17X2061	HSNG CRUSHER DISP
869	WR02X4561	SPRING ICE DEFLECTOR
870	WZ04X0230	SCREW
871	WR01X1585	NUT AUGER
872	WR17X1361	BLADES MOVING DISP
873	WR17X1009	BLADE STATIONARY DISP
874	WR02X4139	SPACER CRUSHER MIDDLE
875	WR17X1362	BLADES MOVING DISP
876	WR02X4138	SPACER CRUSHER STATIONAR
877	WR17X2058	BLADE STATIONARY DISP
878	WR17X1363	BLADES MOVING DISP
879	WR17X2062	PLATE FRONT DISP
880	WR17X4207	HELIX FRONT DISP

881	WR02X7351	BLADE IN DISP
882	WR01X1366	WASHER
883	WR30X0322	BUCKET ICE DISP
884	WR02X7905	BUCKET SEAL DISP
885	WR02X4550	CUP DRIVE DISP
886	WR17X4204	AUGER HELIX DISP
887	WR02X4259	PIN SPIRAL
888	WR02X4854	DRIVE AUGER DISPENSER
889	WR01X1547	NUT J
890	WD02X0295	SCR 8-16X2 SS
891	WR17X11410	BUCKET & AUGER ASM DISP
892	WR02X4258	SPRING SOLENOID LINKAGE
893	WR02X4257	PIN SPIRAL
896	WR23X0463	HARNESS MOTOR DISP
897	WR17X11411	WIRE ACTUATOR DISP
898	WR02X4251	RETAINER ACTUATOR WIRE
899	WR02X4145	SPRING
900	WR02X7310	SUPP0RT TWIST

ZISS480DRASS QUICK CHILL

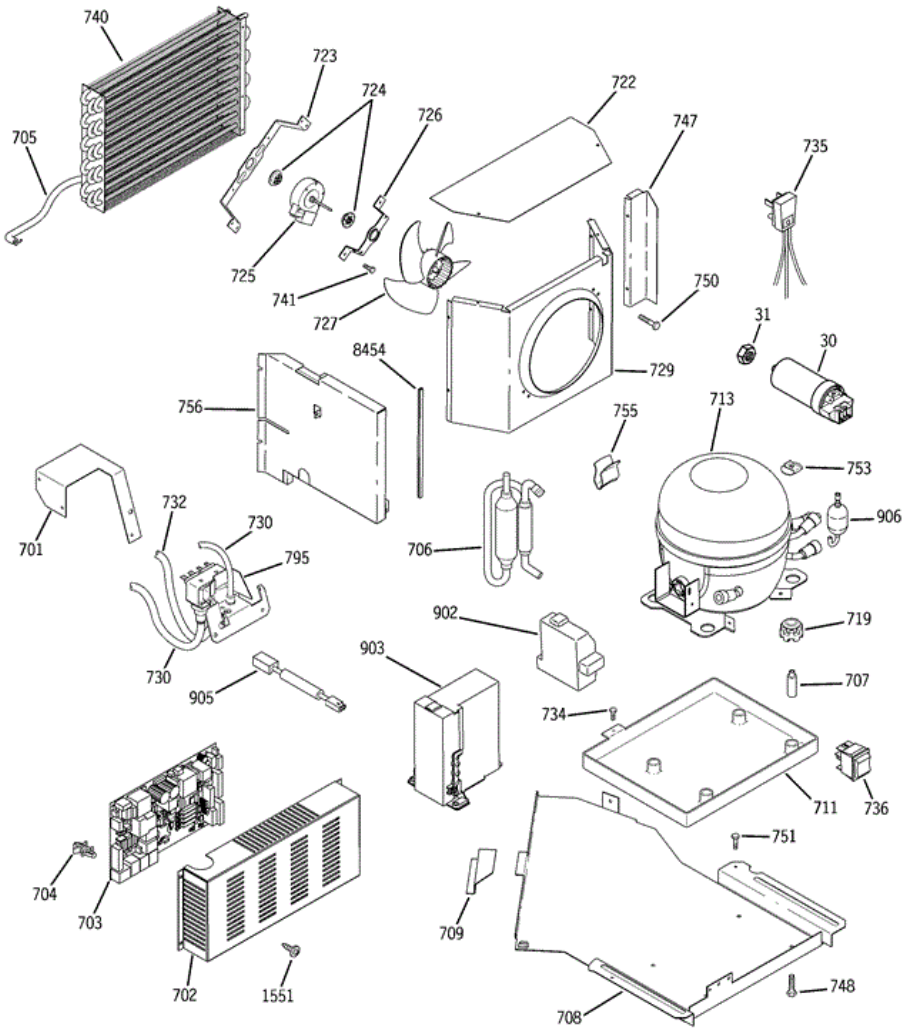




ZISS480DRASS QUICK CHILL

320	WR60X10089	QC MULLION ASM 48
326	WR02X11198	HARNESS FF HMI SXS
327	WR32X10318	QC PAN MODIFIED
329	WR71X10412	VEG WIRE FRAME
330	WR72X10119	10" SLIDE, QUICK CHILL
331	WR17X11177	QC TRAY
334	WR02X8472	TUBE PLUG
343	WR14X10136	QC FRONT SEAL ASM
344	WR31X10017	AIR HANDLER ASM QC
346	WR60X10116	QC SEAL DAMPER
347	WR60X10064	FAN CHILL
348	WR51X10049	HEATER THAW
349	WR31X10018	DIFFUSOR CASE ASM
351	WR01X10298	WIRE MESH QC HSG
352	WR01X10299	WIRE COVER QC ASM
369	WR60X10063	DAMPER ASM DESUPPLY
380	WR02X11449	COVER WATER LINE
389	WR55X10030	SENSOR TEMPERATURE
394	WR23X10267	HARNESS QC
395	WR23X10268	HARNESS QC LIGHTS
397	WR02X11184	BULB HALOGEN LAMP QC/HMI
894	WR50X10035	THERMOSTAT LIGHT

ZISS480DRASS SYSTEM





ZISS480DRASS SYSTEM

30	WH12X10192	FILTER
31	WH02X10124	NUT
701	WR02X11219	WATER VALVE BRACKET
702	WR02X11838	MAIN BOARD COVER
703	WR55X10400	MAIN BOARD
704	WR01X10301	MAIN BOARD STAND OFFS
705	WR86X10021	CAP SUCTION TUBE ASM
706	WR86X0096	DRYER BIFURCATED XH9
707	WR01X10382	STUD COMP MTG
708	WR17X11432	PAN SYSTEM
709	WR02X11221	RETAINER SYSTEM PAN
711	WR17X11436	PAN SLEEVE
713	WR87X10064	INVERTER COMPRESSOR EMB
719	WR01X10306	GROMMET COMP. MTG.
722	WR17X11433	COND. SHROUD TOP
723	WR02X10945	BRKT COND FAN MOTOR LG
724	WR02X10520	GROMMET COND FAN
725	WR60X10053	MOTOR DC COND FAN
726	WR02X10521	BRKT COND FAN (MTG)
727	WR60X10049	BLADE COND FAN ASM
729	WR84X10049	SHROUD CONDENSER
730	WR17X1948	WATER LINE 1/4
732	WR17X2891	TUBE PLASTIC
734	WR01X10313	36 VAPORIZER PAN BOLT
735	WR23X0420	CORD POWER ASM
736	WR23X10220	MASTER LIGHT SWITCH
740	WR84X10048	CONDENSER REPL. ASM.
741	WR01X1466	SCR 8-32 T HXW 3/8 S
747	WR17X11434	COND BAFFLE RH
748	WR01X10383	SCREW MTG STUD
750	WR01X1826	SCREW
751	WR01X10302	BOLT 1/4-20X1.5"
753	WR01X10381	CLIP MT COMP

755	WR02X9501	CLIP TUBE
756	WR17X11698	LH CONDENSER BAFFLE
795	WR57X10032	WATER VALVE ASM
902	WR02X11262	RELAY COVER
903	WR55X10155	INVERTER ASM
905	WR23X10381	HARNESS INVERTER COMM
906	WR02X11264	ACCUMULATOR
1551	WR01X5645	SCREW IM STRAP, PAN
8454	WR38X10190	EDGE TRIM 1.1257"