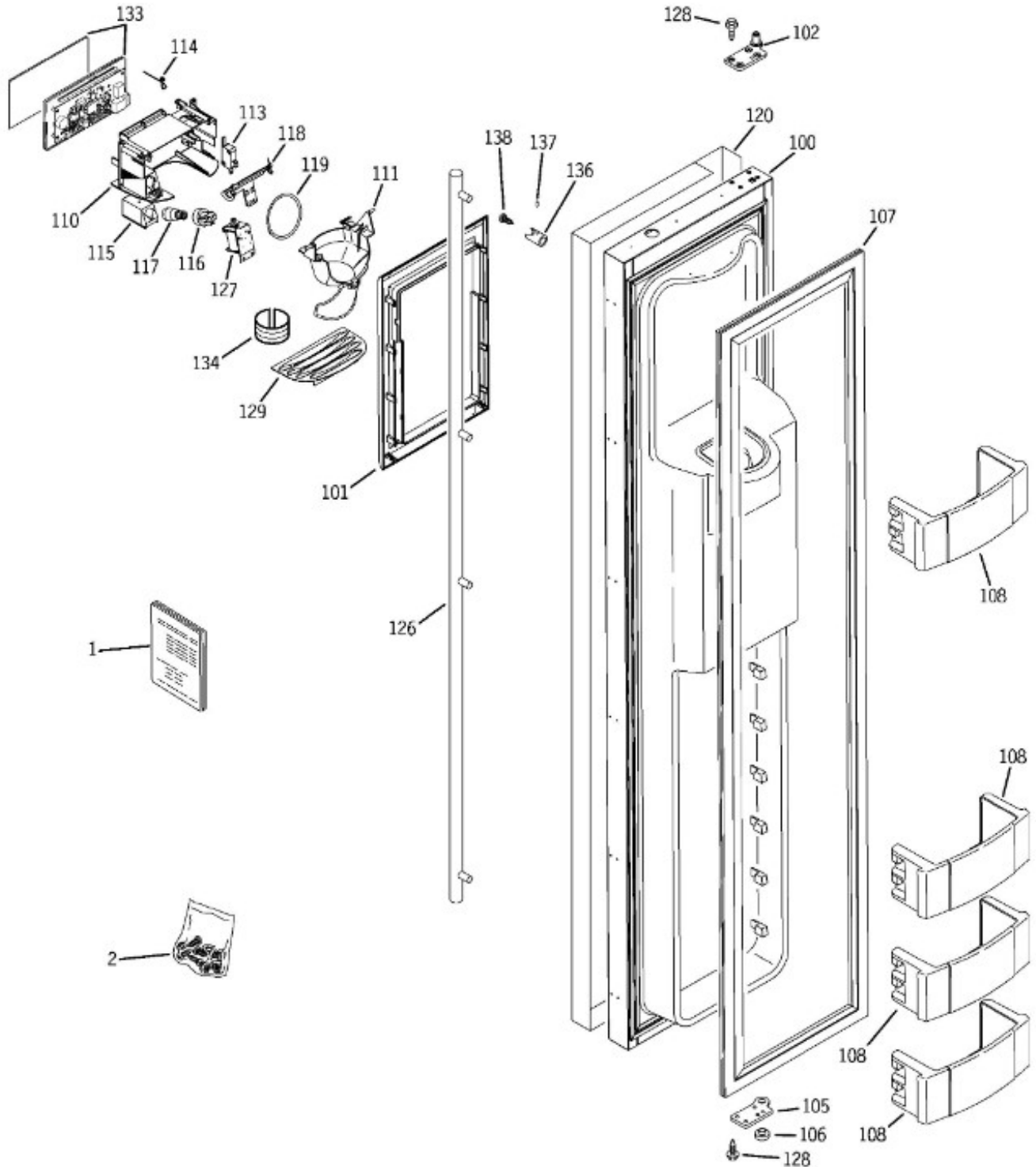


Distribuidor Autorizado

SurteRápido.com

Venta de Refacciones  
Electrodomesticas

# REFRIGERADOR ZISS480DRIS

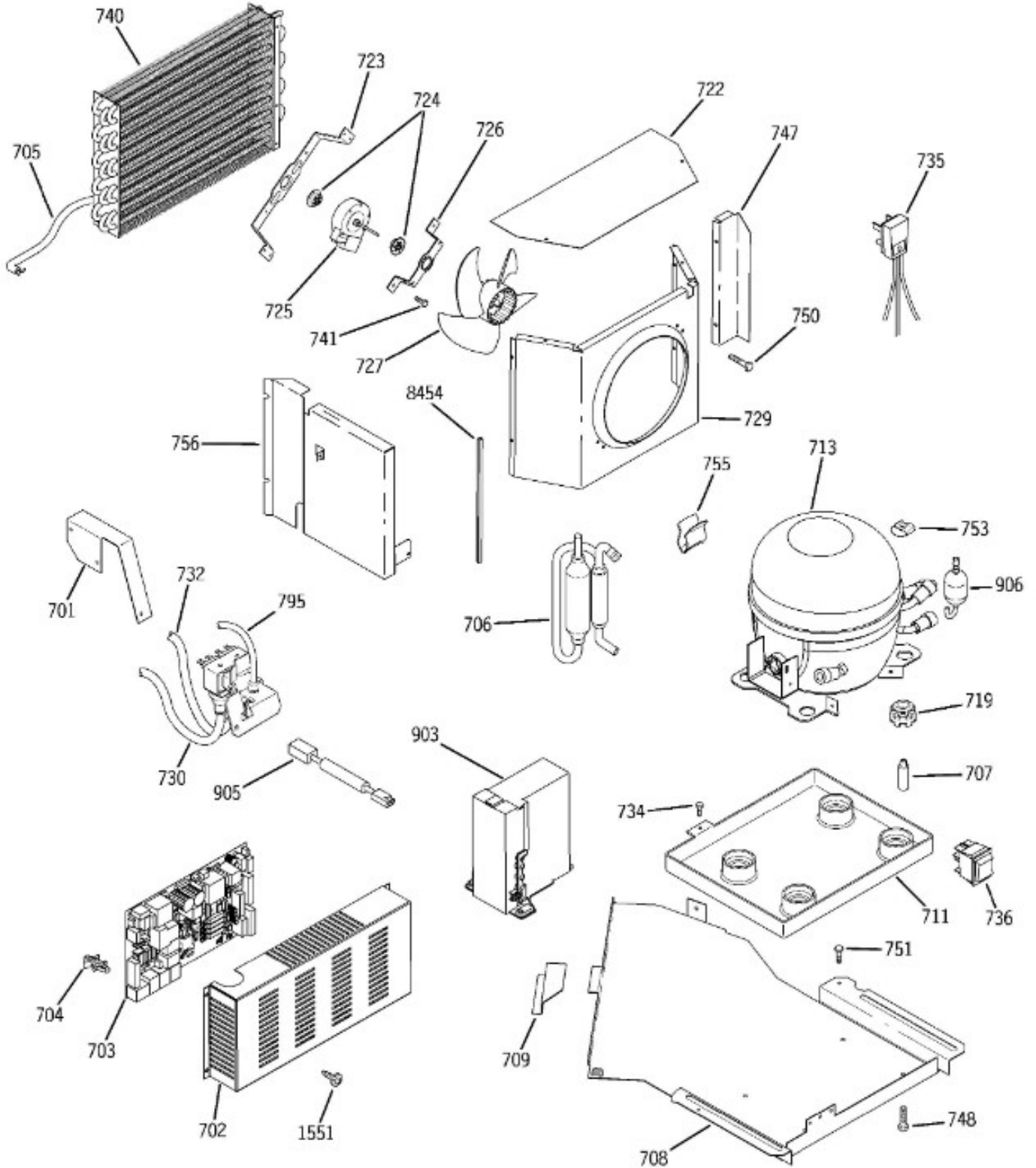


Distribuidor Autorizado

SurteRápido.com

Venta de Refacciones  
Electrodomesticas

# REFRIGERADOR ZISS480DRISS

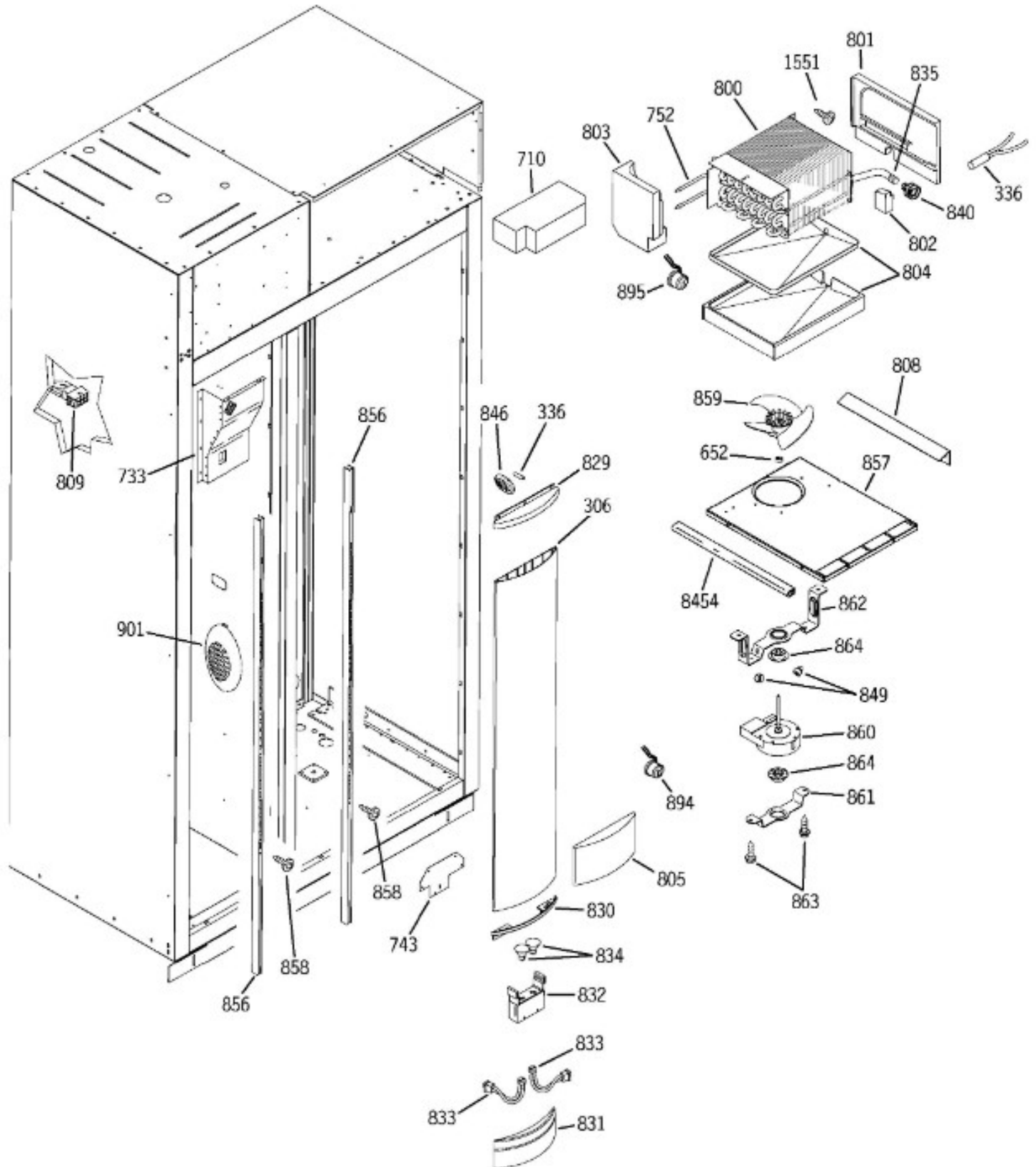


Distribuidor Autorizado

SurteRápido.com

Venta de Refacciones  
Electrodomesticas

# REFRIGERADOR ZISS480DRISS

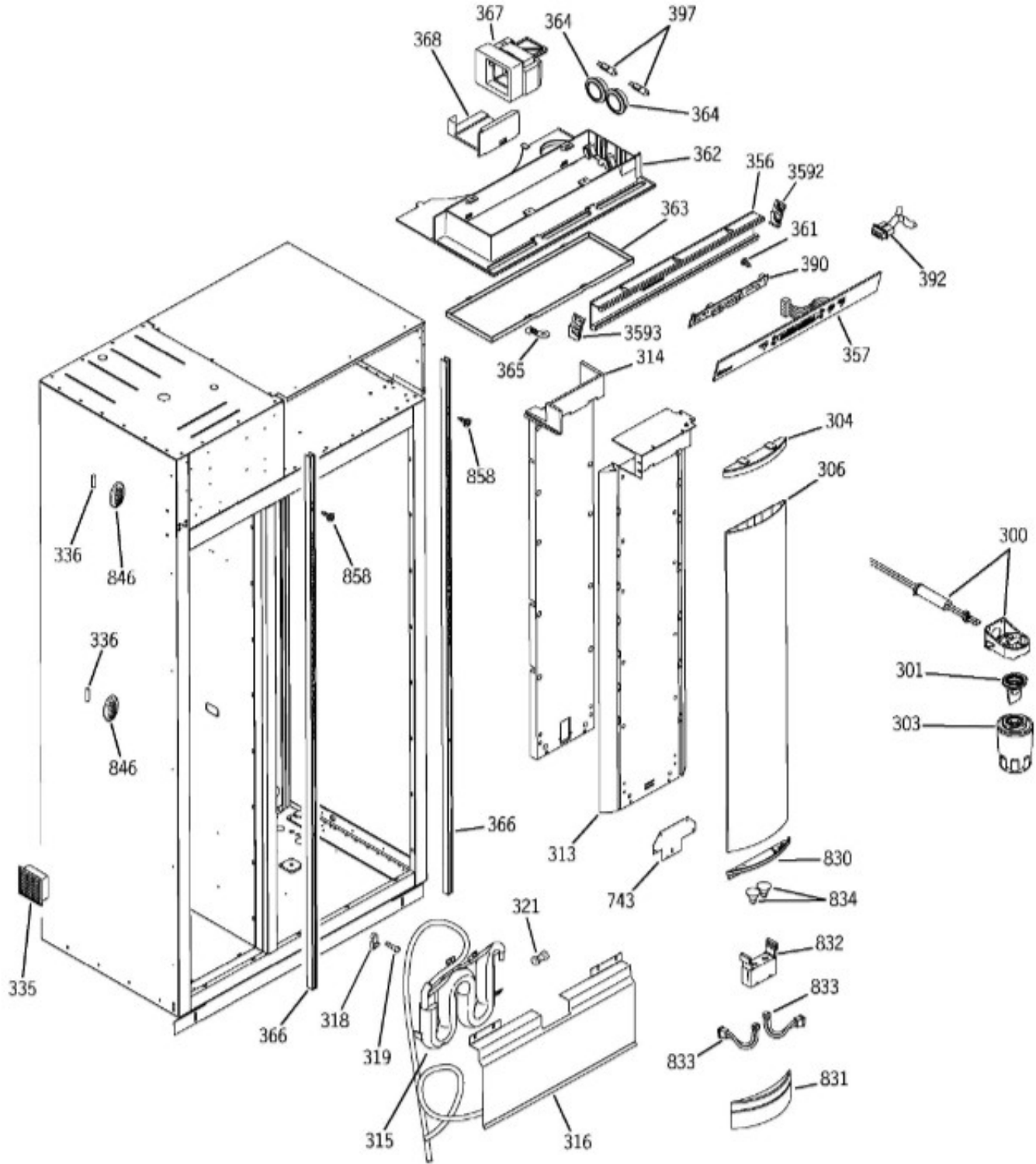


Distribuidor Autorizado

SurteRápido.com

Venta de Refacciones  
Electrodomesticas

# REFRIGERADOR ZISS480DRIS





# REFRIGERADOR ZISS480DRISS

Guía	Refacción	Descripción
2	WG03L03791	LITERATURE PACK
100	WG03F00007	48 DISP BLK FOAMED DR
101	WG03A00793	COLLAR KIT SS BK
102	WG03L03438	FZ DOOR HINGE
105	WG03L00725	FZ HINGE DOOR
106	WG03L00092	FZ BOTTOM
107	WG03F00004	SELLO PUERTA
107	WG03F05786	SELLO PUERTA
108	WG03L02378	BIN ASM
108	WG03L08075	BIN ASM
110	WG03F00341	HOUSING SHIELD DISP BK
111	WG03F00291	FUNNEL ICE DISPLAY
113	WR01F02670	INTERRUPTOR
114	WR01A00924	SPRING TORSION KIT
115	WG03L06901	REFLECTOR LUZ
116	WG02F01491	SOCKET LAMP
117	WR01A01564	LIGHT DISPENSER
118	WR01L00935	PUERTA
119	WR01L01914	PUERTA ENSAMBLE
120	WG03F00010	48 SS BD FZ
120	WG03L00290	48 SS BD FZ
121	WG03A00014	BUTHER DISH
121	WG03L02937	BUTHER DISH
126	WG03F01447	ENSAMBLE JALADERA TUBULAR
126	WG03A02499	ENSAMBLE JALADERA TUBULAR
127	WR01F03323	SOLENOID ASM
128	WG03A00034	SCREW-PKG 12
129	WR01L03203	GRILLE RECESS BK
133	WG02F00400	DISPLAY TOUCH DISP BLK
133	WG03L07708	DISPLAY TOUCH DISP BLK
134	WG03L03419	FUNNEL EXTN BK
136	WG03F00574	STAND OFF SS
136	WG03A02777	STAND OFF SS
137	WG03A00033	SCREW SET #1
138	WG03A00030	SCREW #10-32

Distribuidor Autorizado

**SurteRápido.com**

Venta de Refacciones  
Electrodomesticas



# REFRIGERADOR ZISS480DRISS

Guía	Refacción	Descripción
200	WG03F00878	FF HINGE DOOR BTM
201	WG03A00011	BUSHING HINGE BOTTOM
202	WR01A01444	HINGE PIN
203	WG03L03839	FF TOP DOOR HINGE ASM
205	WG03A00012	BUSHING HINGE TOP
206	WG03L00095	GAL BIN FF ASM
207	WG03F00521	REG BIN FF ASM
207	WG03L07758	REG BIN FF ASM
208	WG03L02377	DAIRY BIN ASM
208	WG03L10520	DAIRY BIN ASM
211	WG03L03470	DAIRY SQ GASKET
212	WG03L03471	DAIRY BIN CENTER GASKET
215	WG03L03191	DAIRY BIN DOOR W/TRIM
216	WG04F00088	BUCKET EGG
217	WR24X10107	GASKET DAIRY BTM
218	WG03L00074	FF DOOR GASKET 48
218	WG03F05785	FF DOOR GASKET 48
224	WG03L00040	DOOR FOAMED ASM FF 48
225	WG03L03662	TOP EDGE GUARD DAIRY BIN
225	NLA	TOP EDGE GUARD DAIRY BIN
226	WG03L05805	ENSAMBLE ENVOLVENTE
300	WG03F00283	FILTER MNT & TUBE ASM
300	WG03F08405	FILTER MNT & TUBE ASM
301	WG03F00087	CAP FILTER BY PASS
301	WG03L10111	CAP FILTER BY PASS
303	WG03F00835	FILTER CANISTER
303	WG01F01839	FILTER CANISTER
304	WG03L03229	END CAP LIGHT COLUMN TOP
306	WG03F03237	LIGHT ASM
313	WG03F02523	AIR TOWER FF
314	WG03F00852	FOAM INSERT AIR TOWER
315	WG03F00679	WATER TANK
316	WG03L00392	CUBIERTA TANQUE DE AGUA
317	WG03L03219	ENCAP SHELF ASM
318	WR02X12574	WIRE TIE (TANK HOLDER)

Distribuidor Autorizado

**SurteRápido.com**

Venta de Refacciones  
Electrodomesticas



# REFRIGERADOR ZISS480DRISS

Guía	Refacción	Descripción
319	WR1X1719	SCR TRIM (SELF DRILLING)
320	WG02A00258	ENSAMBLE CUBIERTA CON LUZ
321	WG03F02091	CONNECTOR, UNION 1/4
326	WG03F00509	QC HALOGEN LAMP ASM
327	WG03F01473	PAN MODIFIED
327	WG03L08145	PAN MODIFIED
329	WG03L03350	FRAME
331	WG03L04302	QC TRAY
334	WG03F03699	TUBE
335	WG03F02815	QC INLET DUCT FZ
336	WR01F01730	SENSOR TEMPERATURE
336	WR01F01730	SENSOR TEMPERATURE
343	WR01L07647	QC FRONT SEAL ASM
344	WG03F00017	AIR HANDLER ASM QC
346	WG03F00512	QC SEAL DAMPER
347	WR01F03381	QC FAN & HARNESS ASM
348	WR01F01719	CALENTADOR
349	WG03F02777	DIFFUSOR CASE ASM
351	WG03F03738	CABLEADO
352	WR01X10299	WIRE COVER QC ASM
356	WG03F03580	TEMP CONTROL HOUSING
357	WG03F00326	HMI CONTROL
361	WG03A00591	4-40 X 1/4 PH SMS
362	WG03A00678	CEILING LIGHT BRACKET
363	WG03L04611	CEILING LIGHT SHIELD 48"
364	WG03F00252	ENSAMBLE ARNES FOCO.
365	WG03L04043	LATCH
365	WG03F05748	LATCH
366	WG03L04583	FF SHELF TRACK
367	WG03A00020	KIT DAMPER
369	WR01L04899	DAMPER ASSY DESUPPLY
371	WR01A00642	TORNILLO 10-18 HI/LO HXW 1/2
374	WG03L04175	PAN ASM
374	WG03L07763	PAN ASM
376	WG03A00103	SNACK PAN WIRE SUPPORT



# REFRIGERADOR ZISS480DRISS

Guía	Refacción	Descripción
377	WG03L04485	SNACK PAN SHELF ASM
380	WG03L02663	COVER WATER LINE
383	WG03L04401	PANREAR SEAL
384	WG03L04402	SEAL
390	WG03F00047	TARJETA
392	WR23X10266	HARNESS HMI TE
394	WG03F02982	HARNESS QC
395	WG03F00910	HARNESS QC LIGHTS
397	WG02F00919	LAMP HALOGEN
500	WG03F00095	CHANNEL BASE ASSY (LH)
501	WG03L01063	HINGE
503	WR01L08607	SPACER
504	WR01A01750	BOLT
505	WG03L02367	HING ARM NYLON
506	WG03L01062	LINK ACTUATOR FZ
507	WG03L00150	HINGE SCREW DOOR BTM
508	WG03F00555	SHEAR PIN
509	WG03F00389	LEVELING LEG
511	WG03F00096	CHANNEL BASE ASSY (RH)
511	WR01F04579	CHANNEL BASE ASSY (RH)
512	WG03F03497	ROLLER ASM
513	WG03F00691	WHEEL REAR ASM
514	WG03A00253	RESORTE DE ESPIRAL
515	WR01L07645	HINGE
516	WG03F00397	LINK ACTUATOR FF
517	WG03L05391	TRIM LATERAL
518	WG03L04838	TRIM
519	WG03L04840	CASE TRIM TOP
519	WG03L05396	CASE TRIM TOP
520	WG03L03937	HOOD HINGE MOUNT
521	WG03L00142	HINGE ASM GRILLE RIGHT
522	WG03L05938	ENSAMBLE BISAGRA IZQ
523	WG03L03811	GRILL HINGE MOUNT
524	WG03L06319	GRILLE PANEL ASM 48
525	WG03L03812	FF HINGE UPPER CASE





# REFRIGERADOR ZISS480DRISS

Guía	Refacción	Descripción
526	WG03L03813	HINGE
527	WG03L04722	SOPORTE LUCES
528	WG03F00037	BASE SHAFT
530	WG03F02384	FILL TUBE KIT, MONOGRAM
532	WG03L02851	COVER WATER LINE
539	WG02A00060	MG LOGO LARGE PINNED
539	WS01A02570	MG LOGO LARGE PINNED
540	WG03A00078	CLIP LOGO
541	WG03F00653	TRANSFORMADOR LUZ REFR.
542	WG03F00652	TRANSFORMADOR LUZ CONG.
543	WG03F00293	FUSIBLE 2 AMP
544	WR17X11183	EYEBROW SWITCH PLATE
545	WG03F00909	SWITCH LIGHT FZ
545	WG03F05844	SWITCH LIGHT FZ
546	WR01F02293	SWITCH LIGHT
546	WG03F03974	SWITCH LIGHT
547	WG03F00647	TOE KICK-SS 48
549	WG03L04787	TRANSFORMER TRAY
550	WG03A00431	SCREW
550	WR01A01049	SCREW
553	WG03A00189	CONNECTOR
560	WG02A00152	BRACKET ANTI-TIP
602	WG03A00592	6-20 X 1\2 S\S PH PHIL
607	WR01L09077	PAN ASM
607	WG03L08147	PAN ASM
608	WG03L04180	PAN ASM
609	WG03L00304	VEG PAN WIRE SUPPORT
610	WG03L00211	SLIDE ASM 10
611	WR32X10321	SHOWCASE PAN ASM
613	WR01L07666	SHOWCASE PAN WIRE
614	WR32X10322	VEG PAN GLASS SHELF
615	WR02X11215	VEG PAN REAR SEAL
616	WG03L04398	VEG PAN SHELF FRONT SEAL
617	WG03A00996	PAN SLIDE SUPPORT RH
618	WR71X10418	SHOWCASE PAN SHELF ASM

Distribuidor Autorizado

**SurteRápido.com**

Venta de Refacciones  
Electrodomesticas

# REFRIGERADOR ZISS480DRISS

Guía	Refacción	Descripción
619	WR71X10419	SHOWCASE PAN SHELF FRONT
621	WG03A01496	PAN SLIDE SUPPORT LH
622	WR13X10247	BUSHING SHOWCASE PIVOT
623	WG03A00056	WASHER SHOWCASE PIVOT
624	WG03L05020	SHOWCASE FLIP LID WINDOW
625	WR17X11185	VEG PAN FLIP WINDOW
626	WR14X10133	GASKET LID SHOWCASE
627	WG03L01908	BUTTON M
628	WR02X11217	HUMIDITY SLIDE 48"
629	WG03L00617	HUMIDITY SLIDER CONTROL
630	WG03L04071	SHOWCASE FLIP LID ASM
652	WG03F04577	RING COMPRESSION
701	WG03A00729	SUJETADOR VALVULA
702	WG03L04112	MAIN BOARD COVER
703	WG03F00042	TARJETA PRINCIPAL CONTROL
704	WG03F00411	SOPORTE DE TARJETA PRINCIPAL
705	WG03F03655	TUBE ASM
706	WG03F00245	DRYER
706	WG03A03157	DRYER
707	WG03A01441	STUD
708	WG03L04193	PAN SYSTEM
709	WG03F03480	SYSTEM PAN RETAINER
710	WG03F00894	FOAM BLOCK EVAPORATOR
711	WG03L00165	PAN SLEEVE
713	WG03F00154	COMPRESSOR V
719	WG03F02952	GROMMET COMPRESSOR
719	WG03F04984	GROMMET COMPRESSOR
719	WG03F04984	AMORTIGUADOR COMPRESOR
722	WG03F02680	COND. SHROUD TOP
723	WG03F00077	BRKT COND FAN MOTOR LG
724	WG02F02001	GROMMET FAN MOTOR
725	WG03F00433	MOTOR DC COND FAN
726	WG03F00071	BRACKET COND FAN (MTG)
727	WG03L00005	BLADE CONF FAN ASM
727	WR02F04236	BLADE CONF FAN ASM



# REFRIGERADOR ZISS480DRISS

Guía	Refacción	Descripción
729	WG03L04675	CUBIERTA CONDENSADOR
730	WG04F01219	TUBO LINEA AGUA G.E.
732	WG03F00482	PLASTIC TUBE
733	WG03F02817	AUGER MOTOR COVER 48
734	WG03A01544	36 VAPORIZER PAN BOLT
735	WG03F00911	CORD POWER ASM
736	WG03F01988	MASTER LIGHT SWITCH KIT
740	WG03L02630	CONDENSER REPL. ASM.
741	WG04A01270	SCREW PKG 12
743	WG03F00081	BULB HOUSING ASM
745	WG03A01400	SOPORTE
747	WG03L02590	COND BAFFLE RH
748	WG03A01280	SCREW MTG STUD
750	WG03A01215	#8-18 TYPE AB X 3/8 PH P
751	WG03A00651	BOLT
752	WG03F01486	ENSAMBLE RESISTENCIA DE DESHIELO
753	WG03F01627	STUD MTG COMPR
755	WG03A00778	CLIP TUBE
756	WG03L04066	LH CONDENSER BAFFLE
795	WG03F00685	VALVULA AGUA
795	WG04F11911	VALVULA AGUA
800	WG03F00265	EVAPORATOR ASSY
801	WG03F00895	FF RETURN AIR BAFFLE
802	WG03L00649	ELUT BLOCK
803	WR01L07651	FOAM BLOCK
804	WG03F00351	ICING KIT
805	WG03L03325	REFLECTIVE FILM FF
808	WG03A01639	BRACKET QC DUCT, MONOGRAM
809	WG03F02691	AMP J10 CONNECTOR
810	WG03F00417	ELECTRONIC IM DOMESTIC
811	WG03F08514	FILL CUP
812	WG03A00736	BUCKET SLIDE
813	WR17X11197	COVER MOTOR SOLENOID
814	WG04F00407	ESTRIBO G.E.
815	WG04F00370	EMBOLO SELENOIDE G.E.



# REFRIGERADOR ZISS480DRISS

Guía	Refacción	Descripción
817	WG04F00148	COLLARIN
818	WG03L00190	SELENOIDE
818	WR01F00328	SELENOIDE
819	WG04A00206	SHROUD SOLENOID/CUB SOLENOIDE
820	WG03F00996	SADDLE SOLEN
823	WG04F00717	MOTOR CRUSHER DIS
824	WG03F03129	ICE BIN FRT
825	WG03L03940	ICE BIN DOOR
826	WG03L03941	ICE BIN DOOR TRACK
827	WR01F00294	MOTOR
829	WG03L03230	ENDCAP ENDCAP LIGHT COLUMN FZ
830	WG03L03253	ENDCAP LIGHT COLUMN BTM
831	WG03F00896	BULB HOUSING COVER
834	WG02F00660	HALOGEN BULB LIGHT COLUM
835	WG03F01457	TUBE DRAIN FLEXIBLE, MONOGRAM
840	WG03F00857	FLAPPER & VALVE ASM
846	WG03A01529	THERMISTOR GRILL KIT- AL
846	WR01L04066	SENSOR
849	WG03A00079	BUMPER LID
856	WG03L04584	FZ SHELF TRACK
857	WG03L03273	EVAP FAN ORFICE COVER
858	WG03A01269	SCREW SHELF TRACK
859	WG03L00008	BLADE FAN MOTOR
859	WG03F06121	BLADE FAN MOTOR
859	WG03F06121	VENTILADOR
860	WR01F02256	MOTOR
860	WR01F01622	MOTOR
860	WR01F04638	MOTOR VENTILADOR EVAPORADOR
861	WR02X10548	BRACKET EVAP FAN BTM
862	WR01A00872	SOPORTE VENTILADOR
863	WR01F03226	SCR 8-18 AB IHW 5/8 S
864	WG03F00306	GROMMET EVAP FAN
865	WG03A01464	BLADE REST DISP
866	WG03A01007	PIN SPIRAL
867	WR01A00591	RETAINER RING E

Distribuidor Autorizado

**SurteRápido.com**

Venta de Refacciones  
Electrodomesticas



## REFRIGERADOR ZISS480DRISS

Guía	Refacción	Descripción
868	WG04F00515	HOUSING CRUSHER
869	WR2X4561	SPRING ICE DEFLECTOR
870	WG03A01093	SCREW
871	WG03A00981	NUT AUGER
872	WG03L06903	BLADES MOVING DISP
873	WG03A00647	BLADE STATIONARY DISP
874	WG03A02334	SPACER CRUSHER MIDDLE
875	WG03L06904	BLADES MOVING DISP
876	WR01A00904	SPACER CRUSHER STATIONAR
877	WG03A00645	BLADE
878	WG04F01834	CUCHILLA MOVIBLE
879	WG03L01512	PLATE FRONT DISP
880	WG03F00322	HELIX FRONT DISPLAY (1 P
881	WG03F02042	BLADE IN DISP
882	WG03A01566	WASHER
883	WG03F02599	BUCKET ICE DISP
884	WR01F03279	BUCKET SEAL DISP
885	WG03L01240	CUP DRIVE DISPENSER
886	WG03L02289	ESPIRAL TRITURADOR
887	WG03A00085	BROCHE CILINDRICO
887	WR2X4259	BROCHE CILINDRICO
888	WG03F02811	DRIVE AUGER DISPENSER
889	WG03F00902	PAQUETE DE TUERCAS
890	WG04A01239	SCR 8-16X2 SS
891	WG03F00079	BUCKET & AUGER ASM DISP
892	WG03A00097	SPRING
893	WG03A00084	BROCHE ESPIRAL
893	WR2X4257	BROCHE ESPIRAL
894	WG03F00632	THERMOSTAT LIGHT
895	WG03F00607	THERMODISC EVAPORADOR
895	WG03F07360	THERMODISC EVAPORADOR
896	WG03F02989	HARNESS MOTOR DISP
897	WR01A01073	CABLE ACTUADOR
898	WG03F03483	RETAINER ACTUATOR WIRE
900	WG03A01514	SUPPORT TWIST



# REFRIGERADOR ZISS480DRISS

Guía	Refacción	Descripción
901	WG03F02507	AIR DIFFUSER
903	WR01F01525	INVERTER ASM COMP MOUNT
903	WR01F01525	INVERTER ASM COMP MOUNT
903	WR01F03992	INVERTER EMB COMP MOUNERTER EMB COMP MOUN
903	WR01F04233	ENS. INVERSOR COMPRESOR
903	WR01F04234	ENS. INVERSOR COMPRESOR
903	WG04A00766	ENS. INVERSOR COMPRESOR
905	WG03F03019	HARNESS INVERTER COMM
906	WR01F01752	ACCUMULATOR
907	WG03A01542	TUB, DISP WATER LINE KIT, MONO
1551	WG03A00029	SCREW
3507	WG03A00042	SPRING CLOSURE
3592	WG03L03256	RH HMI ENDCAP
3593	WG03L03242	LH HMI ENDCAP
3620	WG03A00727	BRACKET TRIM
8141	WG03L05021	RACK PARA VINOS
8454	WG03L01984	TRIM
8822	WG03A01132	#6-32 X 3/16 MACH SCR.