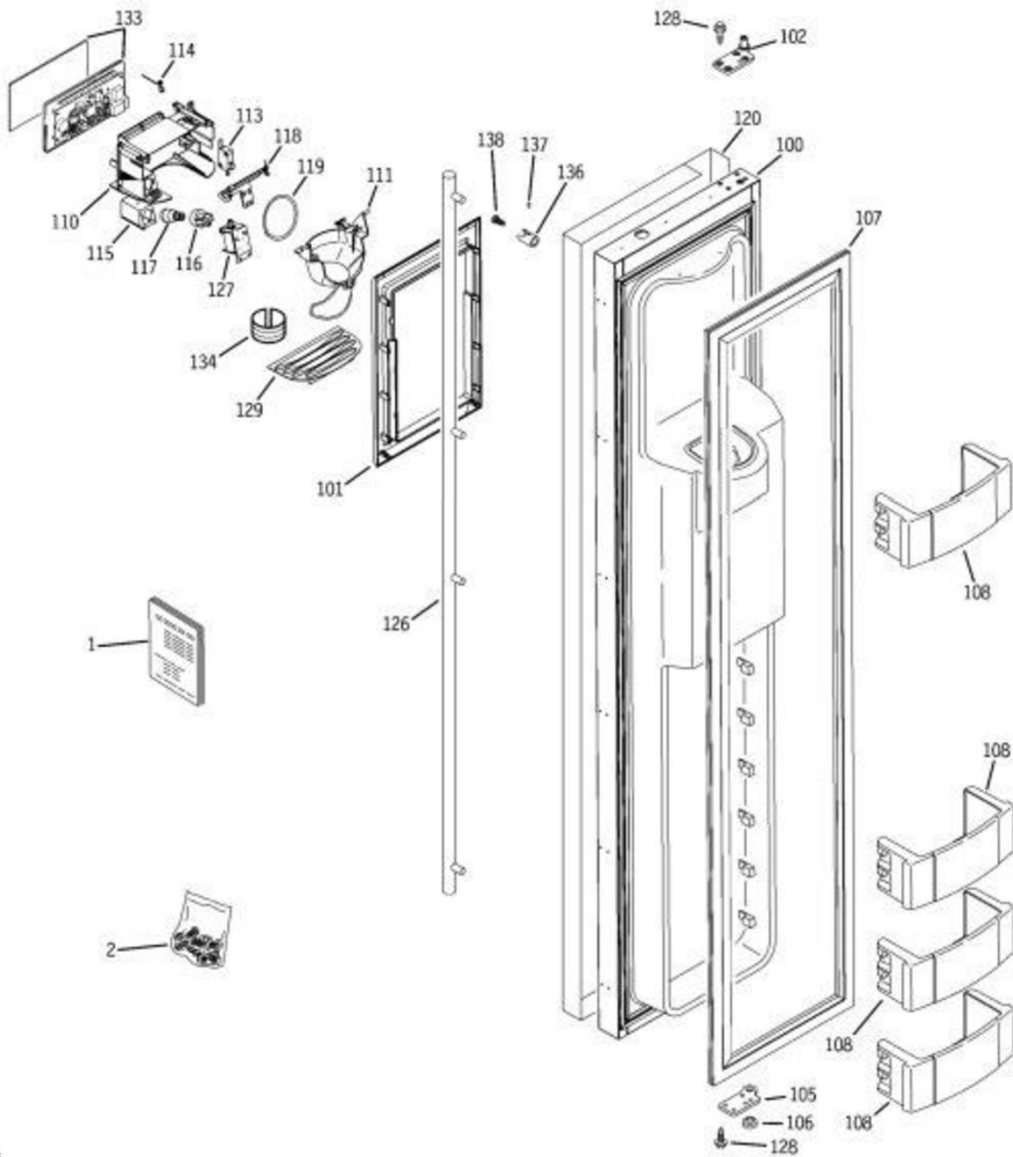


Refrigerador Mabe ZISS48DRJSS

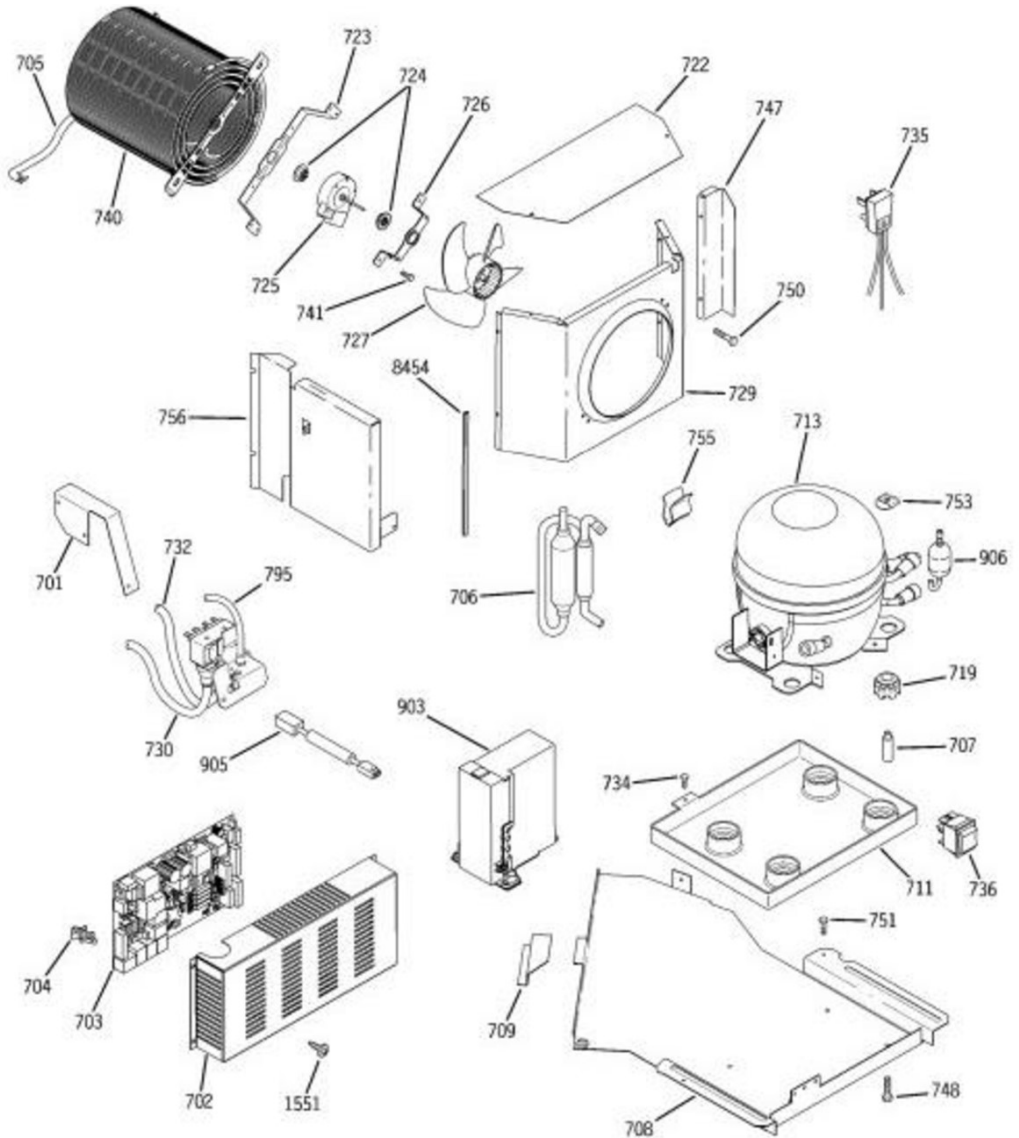


Distribuidor Autorizado

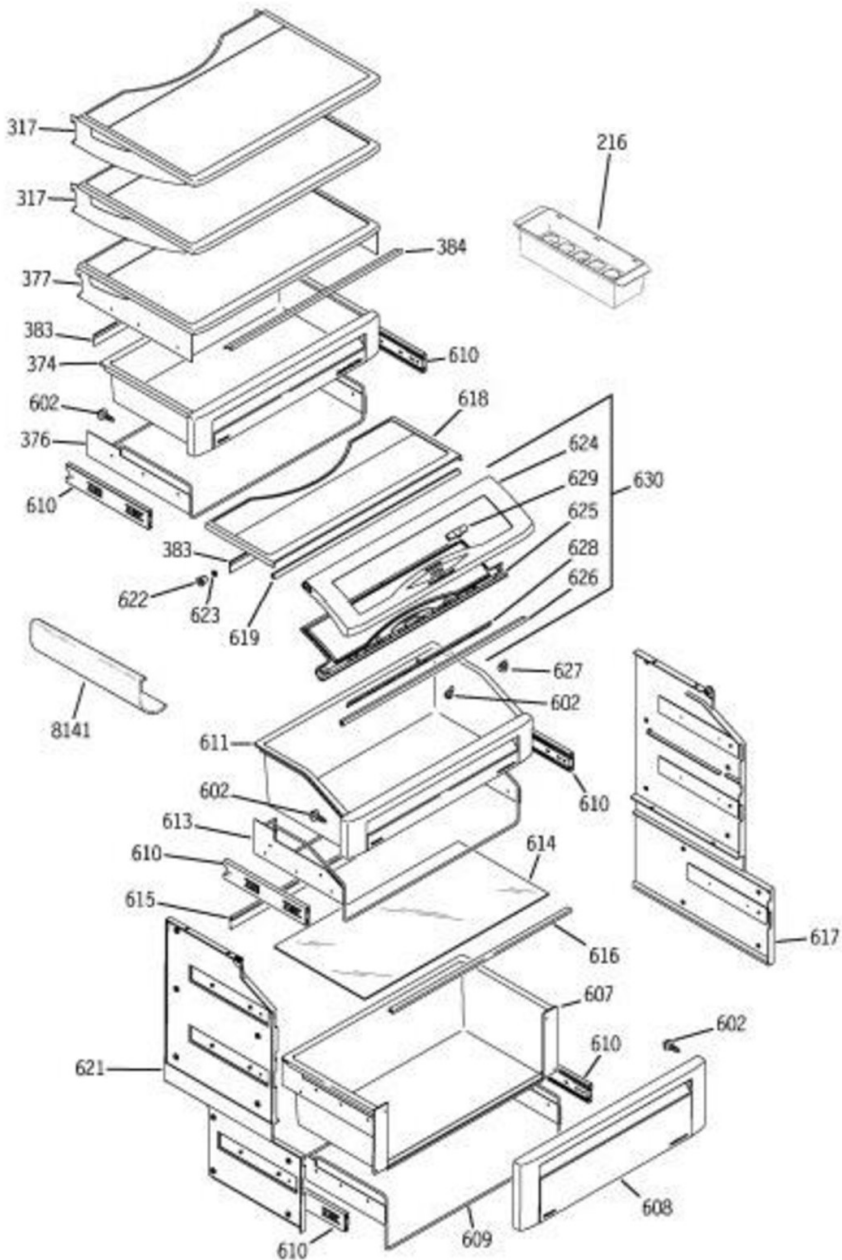
SurteRápido.com

Venta de Refacciones
Electrodomesticas

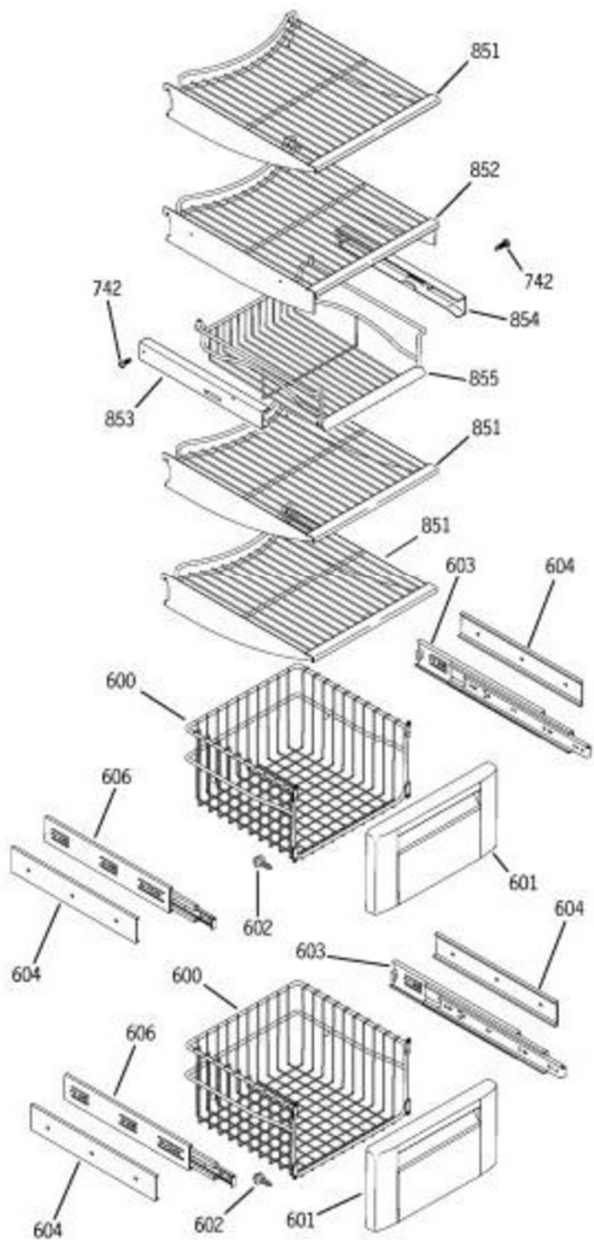
Refrigerador Mabe ZISS48DRJSS



Refrigerador Mabe ZISS48DRJSS



Refrigerador Mabe ZISS48DRJSS

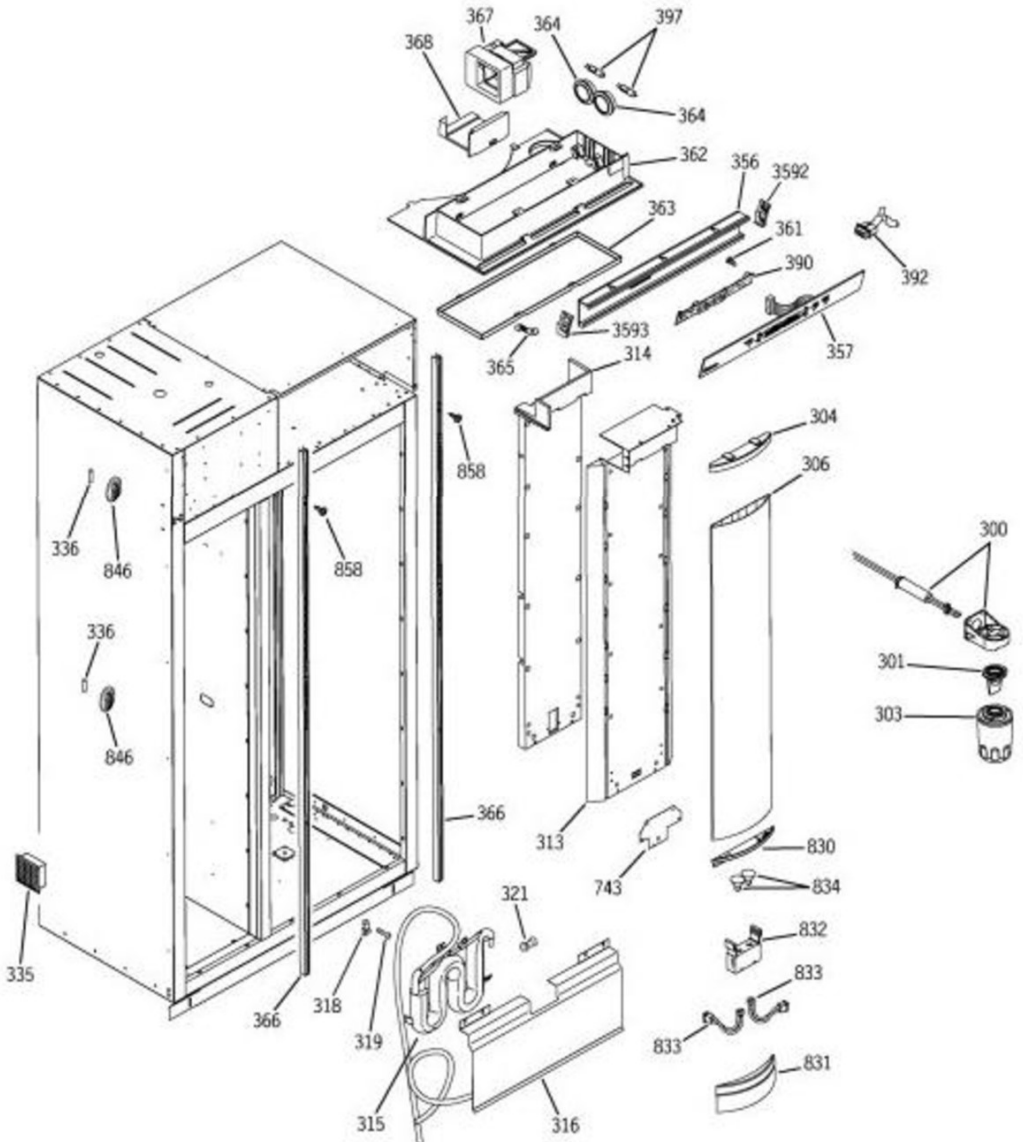


Distribuidor Autorizado

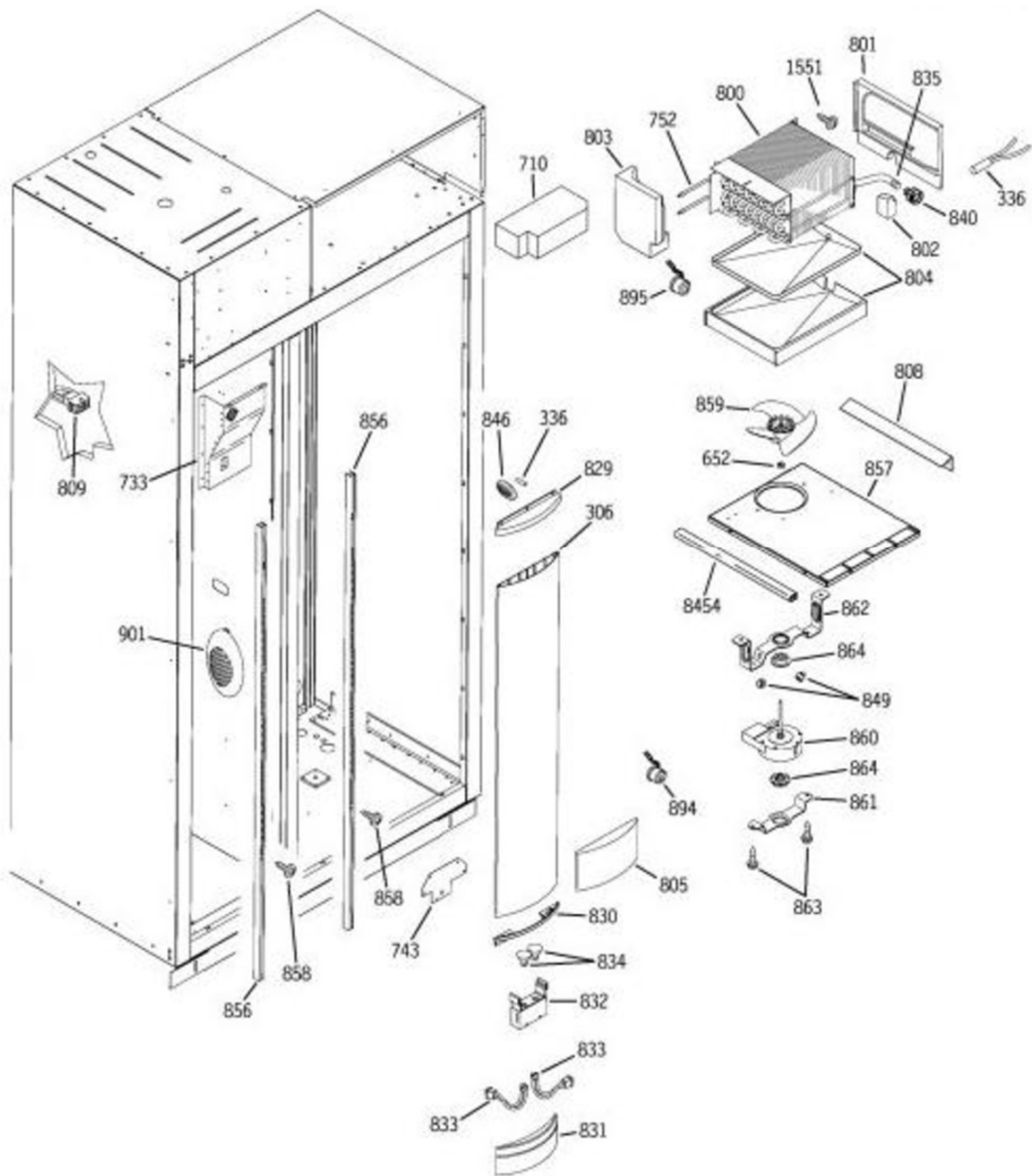
SurteRápido.com

Venta de Refacciones
Electrodomesticas

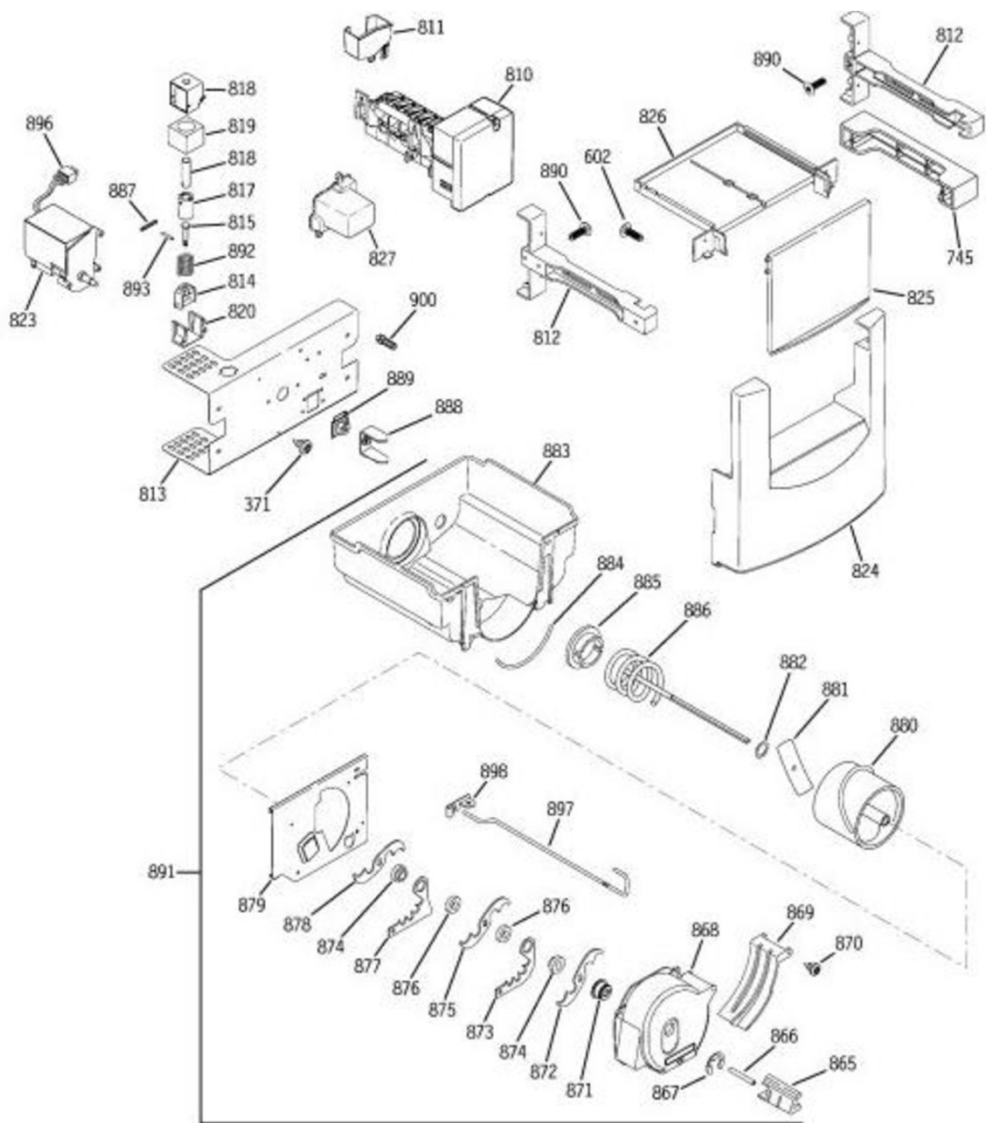
Refrigerador Mabe ZISS48DRJSS



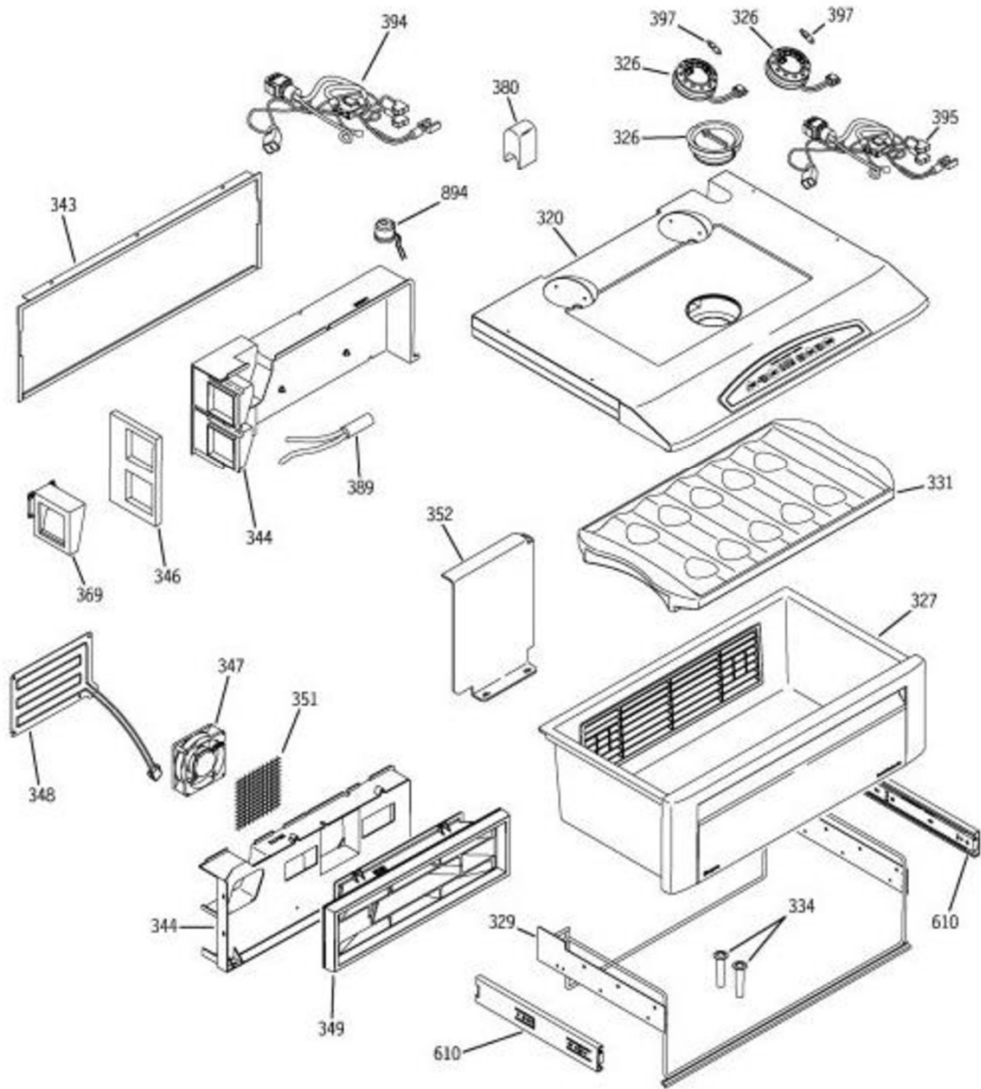
Refrigerador Mabe ZISS48DRJSS



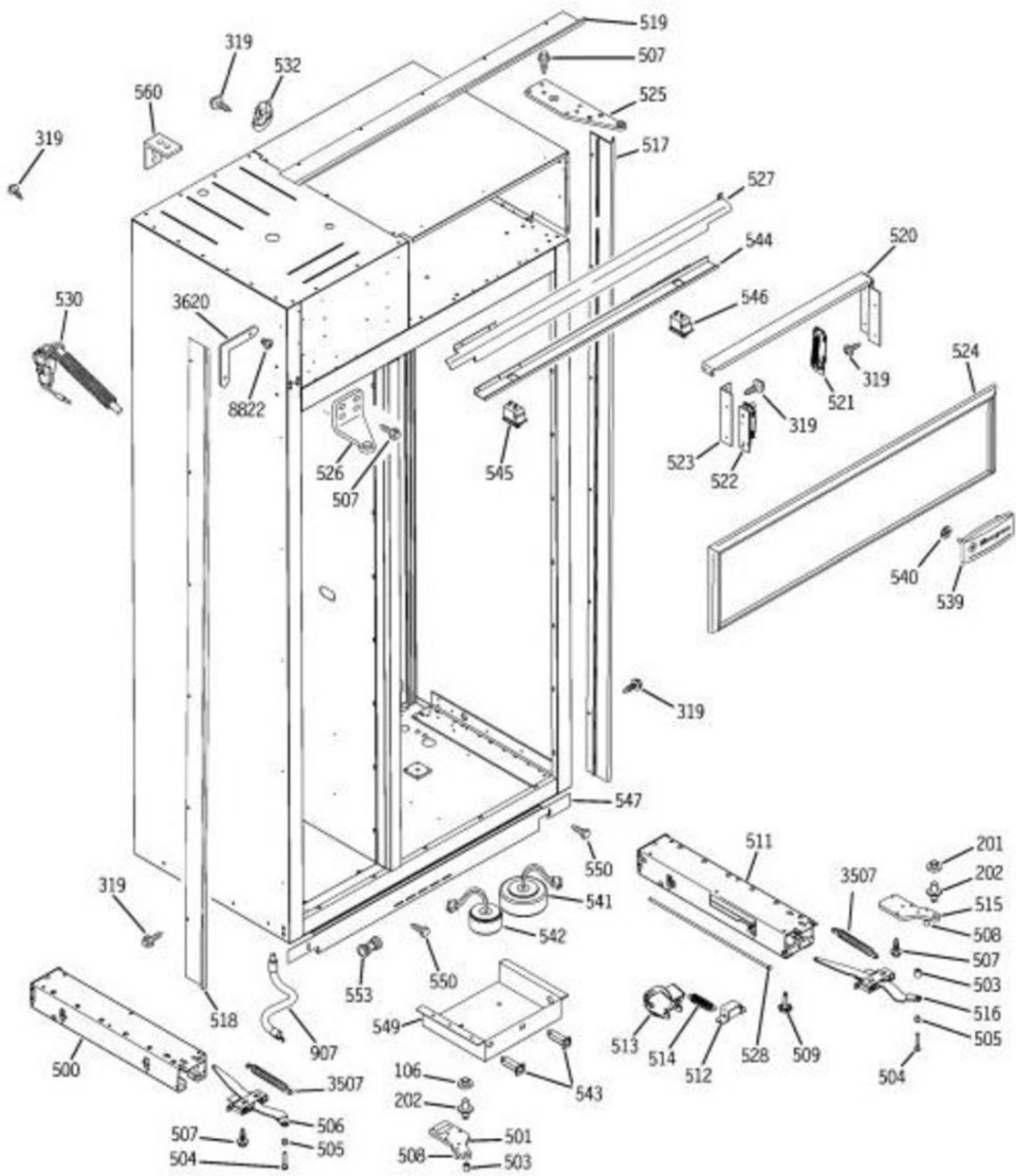
Refrigerador Mabe ZISS48DRJSS



Refrigerador Mabe ZISS480DRJSS



Refrigerador Mabe ZISS480DRJSS





Refrigerador Mabe ZISS48DRJSS

Guía	N.P.	Descripción
2	WR01X10304	LITERATURE PACK
100	WR78X10885	48 DISP BLK FOAMED DR
101	WR38X10281	COLLAR KIT SS BK
102	WR13X10238	FZ DOOR HINGE
105	WR13X10250	FZ HINGE DOOR
106	WR01X10297	FZ BOTTOM
107	WR24X10144	SELLO PUERTA
108	WR71X10408	BIN ASM
110	WR17X11170	HOUSING SHIELD DISP BK
111	WR17X11267	FUNNEL ICE DISPLAY
113	WR23X10224	INTERRUPTOR
114	WR49X10233	SPRING TORSION KIT
115	WR02X10670	REFLECTOR LUZ
116	WR2X9561	SOCKET LAMP
117	WR02X12208	LIGHT DISPENSER
118	WR17X10706	PUERTA
119	WR17X11653	PUERTA ENSAMBLE
120	WR12X10527	48 SS BD FZ
121	WR19X29	BUTHER DISH
126	WR12X10949	ENSAMBLE JALADERA TUBULAR
127	WR62X10055	SOLENOID ASM
128	WR1X1754D	SCREW-PKG 12
129	WR17X11655	GRILLE RECESS BK
133	WR55X10910	DISPLAY TOUCH DISP BLK
134	WR49X10076	FUNNEL EXTN BK
136	WR02X10165	STAND OFF SS
137	WR01X10026	SCREW SET #1
138	WR01X10057	SCREW #10-32



Refrigerador Mabe ZISS480DRJSS

Guía	N.P.	Descripción
200	WR13X10251	FF HINGE DOOR BTM
201	WR02X10953	BUSHING HINGE BOTTOM
202	WR13X10239	HINGE PIN
203	WR13X10240	FF TOP DOOR HINGE ASM
205	WR02X10954	BUSHING HINGE TOP
206	WR71X10409	GAL BIN FF ASM
207	WR71X10410	REG BIN FF ASM
208	WR17X11173	DAIRY BIN ASM
211	WR14X10131	DAIRY SQ GASKET
212	WR14X10132	DAIRY BIN CENTER GASKET
215	WR22X10034	DAIRY BIN DOOR W/TRIM
216	WR32X1435	BUCKET EGG
217	WR24X10107	GASKET DAIRY BTM
218	WR24X10146	FF DOOR GASKET 48
224	WR78X10880	DOOR FOAMED ASM FF 48
225	WR14X10134	TOP EDGE GUARD DAIRY BIN
226	WR78X12745	ENSAMBLE ENVOLVENTE
300	WR02X11448	FILTER MNT & TUBE ASM
301	WR02X11705	CAP FILTER BY PASS
303	MWF	FILTER CANISTER
304	WR17X11174	END CAP LIGHT COLUMN TOP
306	WR17X11207	LIGHT ASM
313	WR17X11175	AIR TOWER FF
314	WR02X11197	FOAM INSERT AIR TOWER
315	WR17X11176	WATER TANK
316	WR74X10101	CUBIERTA TANQUE DE AGUA
317	WR71X10411	ENCAP SHELF ASM
318	WR02X12574	WIRE TIE (TANK HOLDER)



Refrigerador Mabe ZISS480DRJSS

Guía	N.P.	Descripción
319	WR1X1719	SCR TRIM (SELF DRILLING)
320	WR60X10270	ENSAMBLE CUBIERTA CON LUZ
321	WR02X10472	CONNECTOR, UNION 1/4
326	WR02X11198	QC HALOGEN LAMP ASM
327	WR32X10318	PAN MODIFIED
329	WR71X10412	FRAME
331	WR17X11177	QC TRAY
334	WR2X8472	TUBE
335	WR02X11199	QC INLET DUCT FZ
336	WR55X10025	SENSOR TEMPERATURE
343	WR14X10136	QC FRONT SEAL ASM
344	WR31X10017	AIR HANDLER ASM QC
346	WR60X10116	QC SEAL DAMPER
347	WR17X13035	QC FAN & HARNESS ASM
348	WR51X10081	CALENTADOR
349	WR31X10018	DIFFUSOR CASE ASM
351	WR01X10298	CABLEADO
352	WR01X10299	WIRE COVER QC ASM
356	WR31X10019	TEMP CONTROL HOUSING
357	WR55X10916	HMI CONTROL
361	WR02X11200	4-40 X 1/4 PH SMS
362	WR17X11178	CEILING LIGHT BRACKET
363	WR02X11201	CEILING LIGHT SHIELD 48"
364	WR02X11202	ENSAMBLE ARNES FOCO.
365	WR02X11203	LATCH
366	WR17X11179	FF SHELF TRACK
367	WR49X10107	KIT DAMPER
369	WR60X10063	DAMPER ASSY DESUPPLY



Refrigerador Mabe ZISS480DRJSS

Guía	N.P.	Descripción
371	WR01X10619	TORNILLO 10-18 HI/LO HXW 1/2
374	WR32X10319	PAN ASM
376	WR71X10413	SNACK PAN WIRE SUPPORT
377	WR71X10414	SNACK PAN SHELF ASM
380	WR02X11449	COVER WATER LINE
383	WR40X10037	PANREAR SEAL
384	WR40X10038	SEAL
390	WR55X10159	TARJETA
392	WR23X10266	HARNESS HMI TE
394	WR23X10267	HARNESS QC
395	WR23X10268	HARNESS QC LIGHTS
397	WB01X10239	LAMP HALOGEN
500	WR13X10201	CHANNEL BASE ASSY (LH)
501	WR13X10241	HINGE
503	WR02X11231	SPACER
504	WR02X11207	BOLT
505	WR02X10951	BHNG ARM NYLON
506	WR02X11208	LINK AUCTIONATOR FZ
507	WR01X10177	HINGE SCREW DOOR BTM
508	WR02X11209	SHEAR PIN
509	WR2X4978	LEVELING LEG
511	WR13X10200	CHANNEL BASE ASSY (RH)
512	WR02X11210	ROLLER ASM
513	WR2X8377	WHEEL REAR ASM
514	WR02X11233	RESORTE DE ESPIRAL
515	WR13X10242	HINGE
516	WR02X11211	LINK AUCTIONATOR FF
517	WR17X12831	TRIM LATERAL



Refrigerador Mabe ZISS480DRJSS

Guía	N.P.	Descripción
518	WR17X11181	TRIM
519	WR17X11352	CASE TRIM TOP
520	WR13X10243	HOOD HINGE MOUNT
521	WR13X10204	HINGE ASM GRILLE RIGHT
522	WR13X10691	ENSAMBLE BISAGRA IZQ
523	WR13X10244	GRILL HINGE MOUNT
524	WR74X10340	GRILLE PANEL ASM 48
525	WR13X10245	FF HINGE UPPER CASE
526	WR13X10246	HINGE
527	WR74X10102	SOPORTE LUCES
528	WR01X10256	BASE SHAFT
530	WR49X10093	FILL TUBE KIT, MONOGRAM
532	WR02X10047	COVER WATER LINE
539	WB02X10830	MG LOGO LARGE PINNED
540	WR01X10300	CLIP LOGO
541	WR62X10029	TRANSFORMADOR LUZ REFR.
542	WR62X10030	TRANSFORMADOR LUZ CONG.
543	WR23X10269	FUSIBLE 2 AMP
544	WR17X11183	EYEBROW SWITCH PLATE
545	WR23X10179	SWITCH LIGHT FZ
546	WR23X10143	SWITCH LIGHT
547	WR74X10189	TOE KICK-SS 48
549	WR17X12060	TRANSFORMER TRAY
550	WR01X10370	SCREW
553	WR02X10444	CONNECTOR
560	WR02X11130	BRACKET ANTI-TIP
600	WR21X10055	BASKET ASM
601	WR71X10415	BASKET



Refrigerador Mabe ZISS480DRJSS

Guía	N.P.	Descripción
602	WR01X10310	6-20 X 1\2 S\S PH PHIL
603	WR72X10189	FZ BASKET SLIDE ASM RH, MONOGR
604	WR72X268	SLIDE FZ
606	WR72X10190	FZ BASKET SLIDE ASM LH, MONOGR
607	WR32X10320	PAN ASM
608	WR71X10416	PAN ASM
609	WR72X10100	VEG PAN WIRE SUPPORT
610	WR72X10191	SLIDE ASM 10
611	WR32X10321	SHOWCASE PAN ASM
613	WR71X10417	SHOWCASE PAN WIRE
614	WR32X10322	VEG PAN GLASS SHELF
615	WR02X11215	VEG PAN REAR SEAL
616	WR02X11216	VEG PAN SHELF FRONT SEAL
617	WR72X10101	PAN SLIDE SUPPORT RH
618	WR71X10418	SHOWCASE PAN SHELF ASM
619	WR71X10419	SHOWCASE PAN SHELF FRONT
621	WR72X10102	PAN SLIDE SUPPORT LH
622	WR13X10247	BUSHING SHOWCASE PIVOT
623	WR01X10046	WASHER SHOWCASE PIVOT
624	WR32X10324	SHOWCASE FLIP LID WINDOW
625	WR17X11185	VEG PAN FLIP WINDOW
626	WR14X10133	GASKET LID SHOWCASE
627	WR01X10047	BUTTON M
628	WR02X11217	HUMIDITY SLIDE 48"
629	WR02X11218	HUMIDITY SLIDER CONTROL
630	WR32X10323	SHOWCASE FLIP LID ASM
652	WR02X10323	RING COMPRESSION
701	WR02X12198	SUJETADOR VALVULA



Refrigerador Mabe ZISS480DRJSS

Guía	N.P.	Descripción
702	WR02X11838	MAIN BOARD COVER
703	WR55X10560	TARJETA PRINCIPAL CONTROL
704	WR01X10301	MAIN BOARD
705	WR86X10021	TUBE ASM
706	WR86X96	DRYER
707	WR01X10494	STUD
708	WR17X11984	PAN SYSTEM
709	WR02X11221	SYSTEM PAN RETAINER
710	WR17X11187	FOAM BLOCK EVAPORATOR
711	WR17X12061	PAN SLEEVE
713	WR87X10111	COMPRESSOR V
719	WR02X11794	GROMMET COMPRESSOR
722	WR17X11433	COND. SHROUD TOP
723	WR02X10945	BRKT COND FAN MOTOR LG
724	WR02X10520	GROMMET FAN MOTOR
725	WR60X10209	MOTOR DC COND FAN
726	WR02X11863	BRACKET COND FAN (MTG)
727	WR60X10206	BLADE CONF FAN ASM
729	WR84X10049	CUBIERTA CONDENSADOR
730	WR17X1948	TUBO LINEA AGUA G.E.
732	WR17X2891	PLASTIC TUBE
733	WR74X10103	AUGER MOTOR COVER 48
734	WR01X10313	36 VAPORIZER PAN BOLT
735	WR23X10300	CORD POWER ASM
736	WR49X10070	MASTER LIGHT SWITCH KIT
740	WR84X10022	ENSAMBLE CONDENSADOR
741	WZ5X158D	SCREW PKG 12
742	WR1X2129	SCREW, #8-15 X 1/2 CR PA

Guía	N.P.	Descripción
743	WR02X11565	BULB HOUSING ASM
745	WR17X11190	SOPORTE
747	WR17X11434	COND BAFFLE RH
748	WR01X10383	SCREW MTG STUD
750	WR1X1826	#8-18 TYPE AB X 3/8 PH P
751	WR01X10302	BOLT
752	WR51X322	ENSAMBLE RESISTENCIA DE DESHIELO
753	WR1X1779	STUD MTG COMPR
755	WR2X9501	CLIP TUBE
756	WR17X12030	LH CONDENSER BAFFLE
795	WR57X10032	VALVULA AGUA
800	WR84X10038	EVAPORATOR ASSY
801	WR17X11193	FF RETURN AIR BAFFLE
802	WR2X9228	ELUT BLOCK
803	WR17X3039	FOAM BLOCK
804	WR49X10021	ICING KIT
805	WR02X11451	REFLECTIVE FILM FF
808	WR02X12946	BRACKET QC DUCT, MONOGRAM
809	WR02X11453	AMP J10 CONNECTOR
810	WR30X10093	ELECTRONIC IM DOMESTIC
811	WR29X10092	CUP FILL IM
812	WR72X10103	BUCKET SLIDE
813	WR17X11197	COVER MOTOR SOLENOID
814	WR17X1066	ESTRIBO G.E.
815	WR17X1064	EMBOLO SELENOIDE G.E.
817	WR17X1065	COLLARIN
818	WR62X58	SELENOIDE
819	WR17X1063	SHROUD SOLENOID/CUB SOLENOIDE



Refrigerador Mabe ZISS480DRJSS

Guía	N.P.	Descripción
820	WR2X7309	SADDLE SOLEN
823	WR60X10262	MOTOR CRUSHER DIS
824	WR17X11198	ICE BIN FRT
825	WR17X11199	ICE BIN DOOR
826	WR71X10420	ICE BIN DOOR TRACK
827	WR02X11767	MOTOR
829	WR17X11200	ENDCAP ENDCAP LIGHT COLUMN FZ
830	WR17X11201	ENDCAP LIGHT COLUMN BTM
831	WR17X11202	BULB HOUSING COVER
834	WR02X11183	HALOGEN BULB LIGHT COLUM
835	WR17X11969	TUBE DRAIN FLEXIBLE, MONOGRAM
840	WR02X12062	FLAPPER & VALVE ASM
846	WR02X11228	THERMISTOR GRILL KIT- AL
846	WR02X10647	SENSOR
849	WR02X10540	BUMPER LID
851	WR71X10794	FZ SHELF ASM
852	WR71X10423	FZ SHELF ASM
853	WR17X11203	SLIDE CAN RACK LH
854	WR17X11204	SLIDE CAN RACK RH
855	WR71X10424	CAN RACK FZ
856	WR17X11205	FZ SHELF TRACK
857	WR17X11206	EVAP FAN ORFICE COVER
858	WR01X10051	SCREW SHELF TRACK
859	WR60X10050	BLADE FAN MOTOR
860	WR60X10185	MOTOR
861	WR02X10548	BRACKET EVAP FAN BTM
862	WR02X10653	SOPORTE VENTILADOR
863	WR01X10652	SCR 8-18 AB IHW 5/8 S



Refrigerador Mabe ZISS480DRJSS

Guía	N.P.	Descripción
864	WR02X12008	GROMMET EVAP FAN
865	WR2X4140	BLADE REST DISP
866	WR2X4141	PIN SPIRAL
867	WR1X1367D	RETAINER RING E
868	WR17X2061	HOUSING CRUSHER
869	WR2X4561	SPRING ICE DEFLECTOR
870	WZ4X230D	SCREW
871	WR1X1585	NUT AUGER
872	WR17X1361	BLADES MOVING DISP
873	WR17X2216	BLADE STATIONARY DISP
874	WR2X4139	SPACER CRUSHER MIDDLE
875	WR17X1362	BLADES MOVING DISP
876	WR2X4138	SPACER CRUSHER STATIONAR
877	WR17X2058	BLADE
878	WR17X1363	CUCHILLA MOVIBLE
879	WR17X2062	PLATE FRONT DISP
880	WR17X4207	HELIX FRONT DISPLAY (1 P
881	WR2X7783	BLADE IN DISP
882	WR1X1366D	WASHER
883	WR30X322	BUCKET ICE DISP
884	WR2X7905	BUCKET SEAL DISP
885	WR2X4550	CUP DRIVE DISPENSER
886	WR17X4204	ESPIRAL TRITURADOR
887	WR2X4259	BROCHE CILINDRICO
888	WR02X11937	DRIVE AUGER DISPENSER
889	WR1X1547D	PAQUETE DE TUERCAS
890	WD2X295	SCR 8-16X2 SS
891	WR17X11410	BUCKET & AUGER ASM DISP



Refrigerador Mabe ZISS480DRJSS

Guía	N.P.	Descripción
892	WR2X4258	SPRING
893	WR2X4257	BROCHE ESPIRAL
894	WR50X10035	THERMOSTAT LIGHT
895	WR50X10088	THERMODISC EVAPORADOR
896	WR23X463	HARNESS MOTOR DISP
897	WR17X11411	CABLE ACTUADOR
898	WR2X4251	RETAINER ACTUATOR WIRE
900	WR2X7310	SUPPORT TWIST
901	WR71X10325	AIR DIFFUSER
903	WR55X10490	INVERTER ASM COMP MOUNT
905	WR23X10381	HARNESS INVERTER COMM
906	WR86X10038	ACUMULADOR, MONOGRAM
907	WR02X11842	TUB, DISP WATER LINE KIT, MONO
1551	WR1X5645	SCREW
3507	WR02X12948	SPRING CLOSURE
3592	WR02X11291	RH HMI ENDCAP
3593	WR02X11292	LH HMI ENDCAP
3620	WR02X11256	BRACKET TRIM
8141	WR17X3364	RACK PARA VINOS
8454	WR38X10190	TRIM
8822	WR01X10326	#6-32 X 3/16 MACH SCR.